

US00D697591S

(12) **United States Design Patent**
Boeltl et al.

(10) **Patent No.:** **US D697,591 S**
(45) **Date of Patent:** **** Jan. 14, 2014**

(54) **SHOWER HANDLE AND ESCUTCHEON**
(71) Applicant: **Acorn Engineering Company**, City of Industry, CA (US)
(72) Inventors: **Darryl Mark Boeltl**, Whittier, CA (US); **Christopher Adkins**, Ontario, CA (US)
(73) Assignee: **Acorn Engineering Company**, City of Industry, CA (US)

(**) Term: **14 Years**
(21) Appl. No.: **29/442,605**

(22) Filed: **Apr. 2, 2013**
(51) **LOC (10) Cl.** **23-01**
(52) **U.S. Cl.**
USPC **D23/252**
(58) **Field of Classification Search**
USPC D23/238-243, 249, 252; 4/675-678;
137/359, 801; D8/350-353, 311-312;
16/402
See application file for complete search history.

D268,358 S	3/1983	Saporito et al.	
D268,517 S	4/1983	Thompson	
D269,409 S *	6/1983	Ferdinand et al.	D8/311
D285,245 S	8/1986	Ogilvie	
D292,608 S	11/1987	Gomez	
D371,501 S *	7/1996	James	D8/312
D378,269 S	3/1997	Doughty et al.	
D406,879 S	3/1999	Powell et al.	
D427,291 S	6/2000	Milrud et al.	
D443,032 S	5/2001	Milrud et al.	
D449,214 S *	10/2001	Yeh	D23/250
D455,199 S	4/2002	Lenart et al.	
D460,535 S	7/2002	Green	
D483,439 S	12/2003	Thomas	
D520,857 S *	5/2006	Bertani	D8/312
D590,049 S	4/2009	Jones	
D648,834 S	11/2011	Gilbert	
D657,021 S	4/2012	Huang	

* cited by examiner

Primary Examiner — Robert Delehanty
(74) *Attorney, Agent, or Firm* — William S. Ramsey

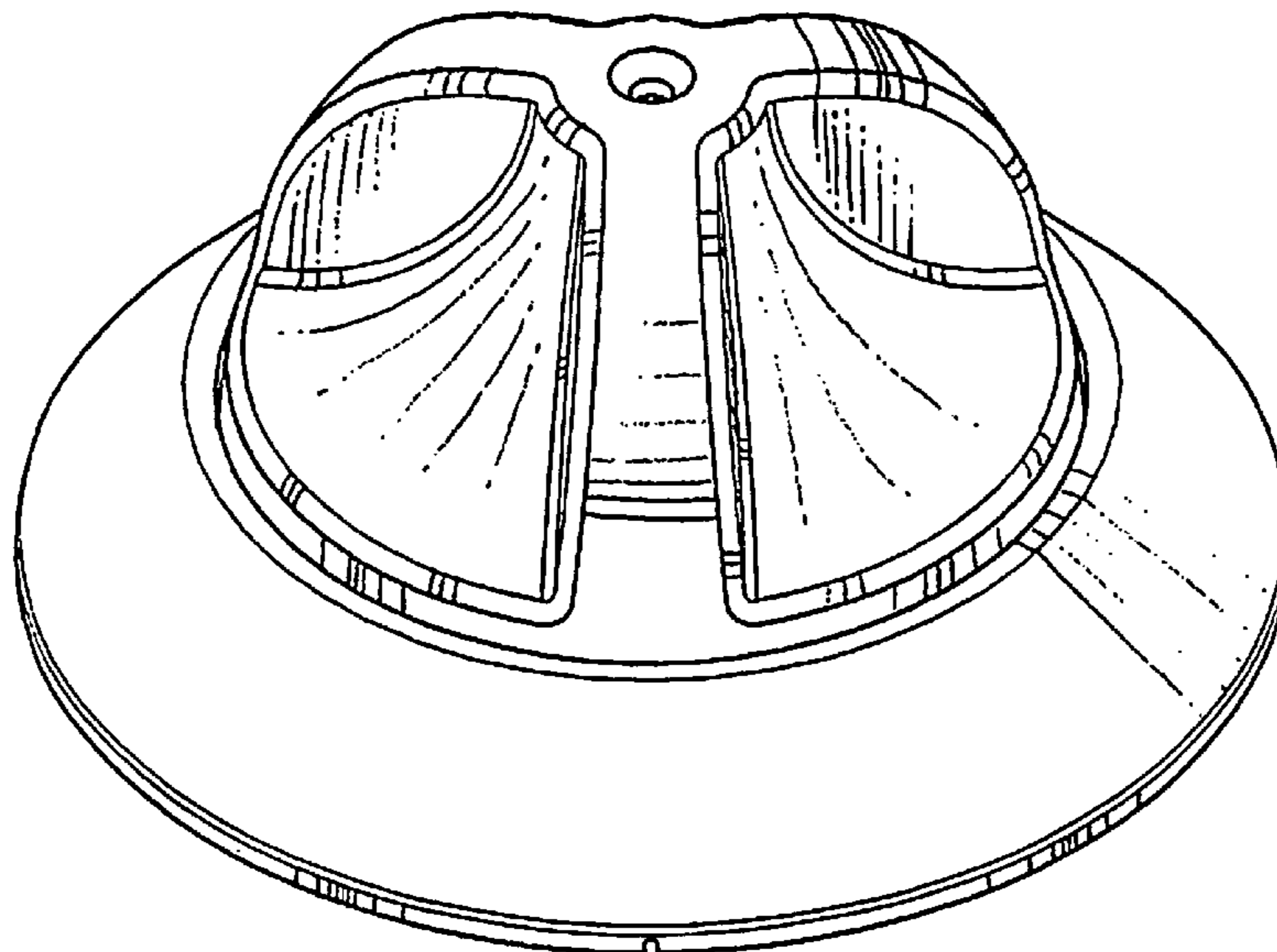
(57) **CLAIM**
The ornamental design for a shower handle and escutcheon, as shown and described.

(56) **References Cited**
U.S. PATENT DOCUMENTS
D143,287 S 12/1945 Dreyfuss
D145,607 S 9/1946 Zinkil
D162,678 S 3/1951 Muller-Munk
D181,596 S * 12/1957 McLean D23/250
D189,534 S * 1/1961 Boldt D8/311
D252,208 S * 6/1979 Ooya D8/312

DESCRIPTION

FIG. 1 is a perspective view of a shower handle and escutcheon showing my new design;
FIG. 2 is a top side elevational view thereof,
FIG. 3 is a left side plan view thereof; and,
FIG. 4 is a right side plan view thereof.

1 Claim, 4 Drawing Sheets



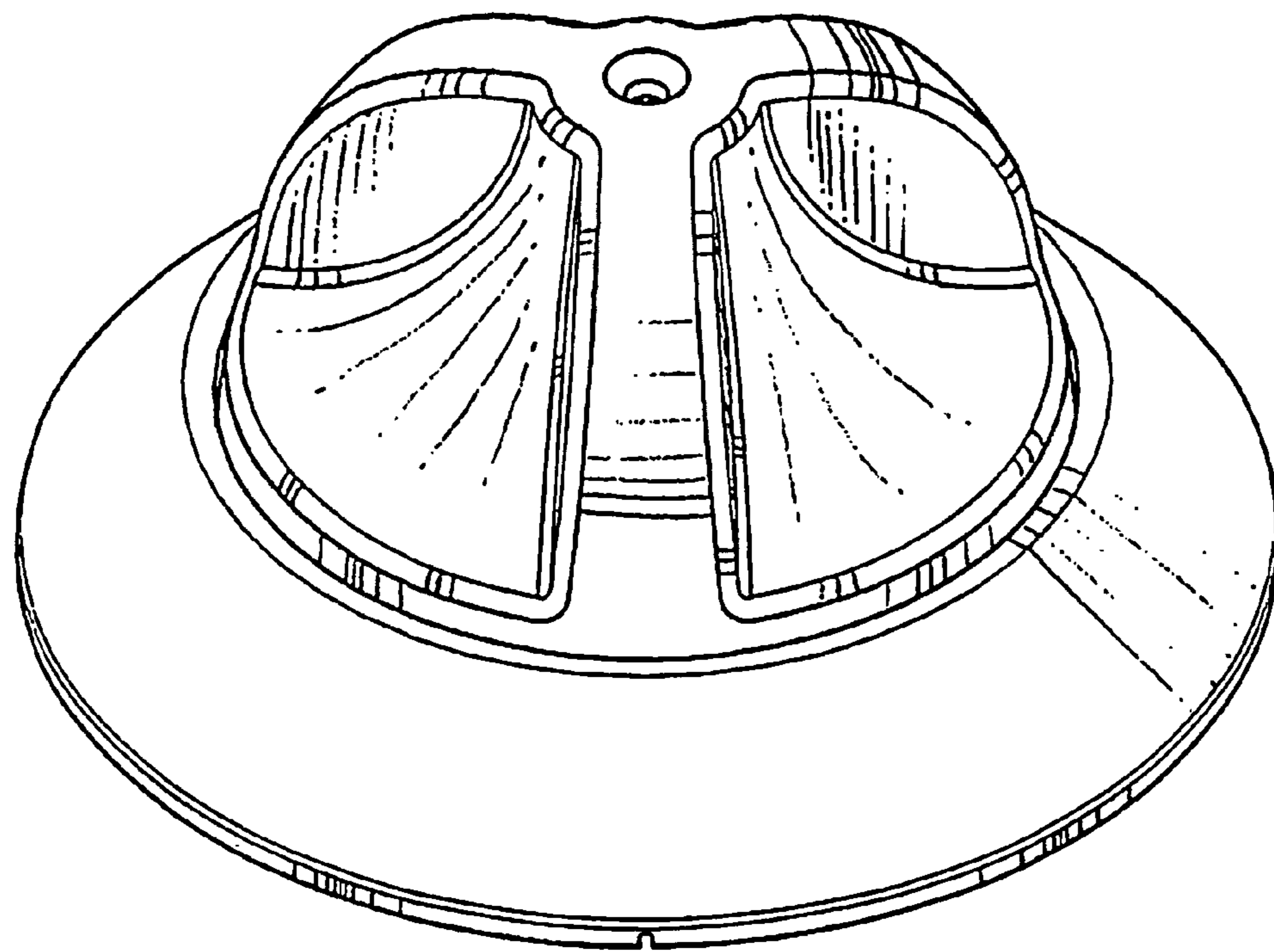


FIG. 1

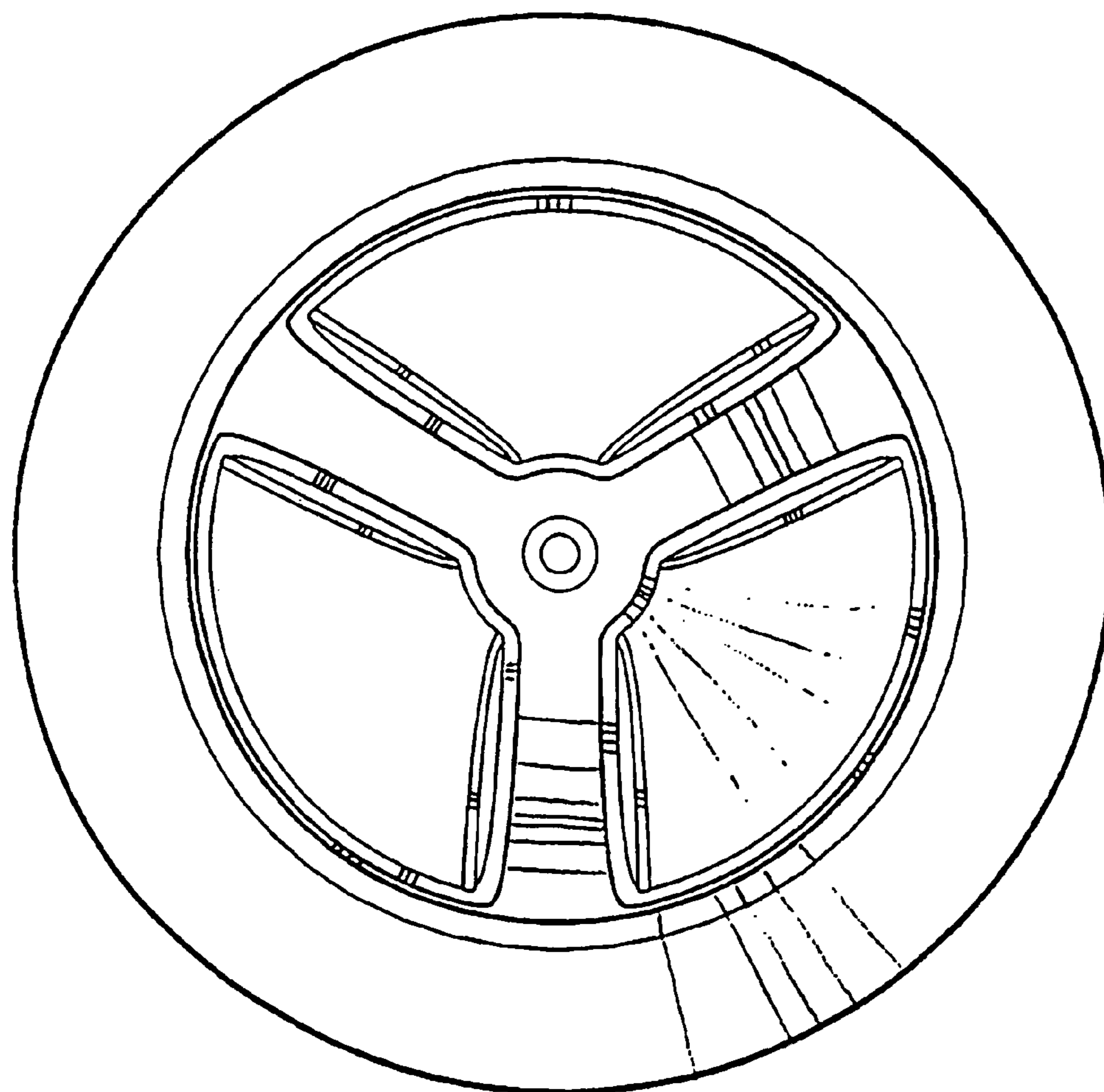


FIG. 2

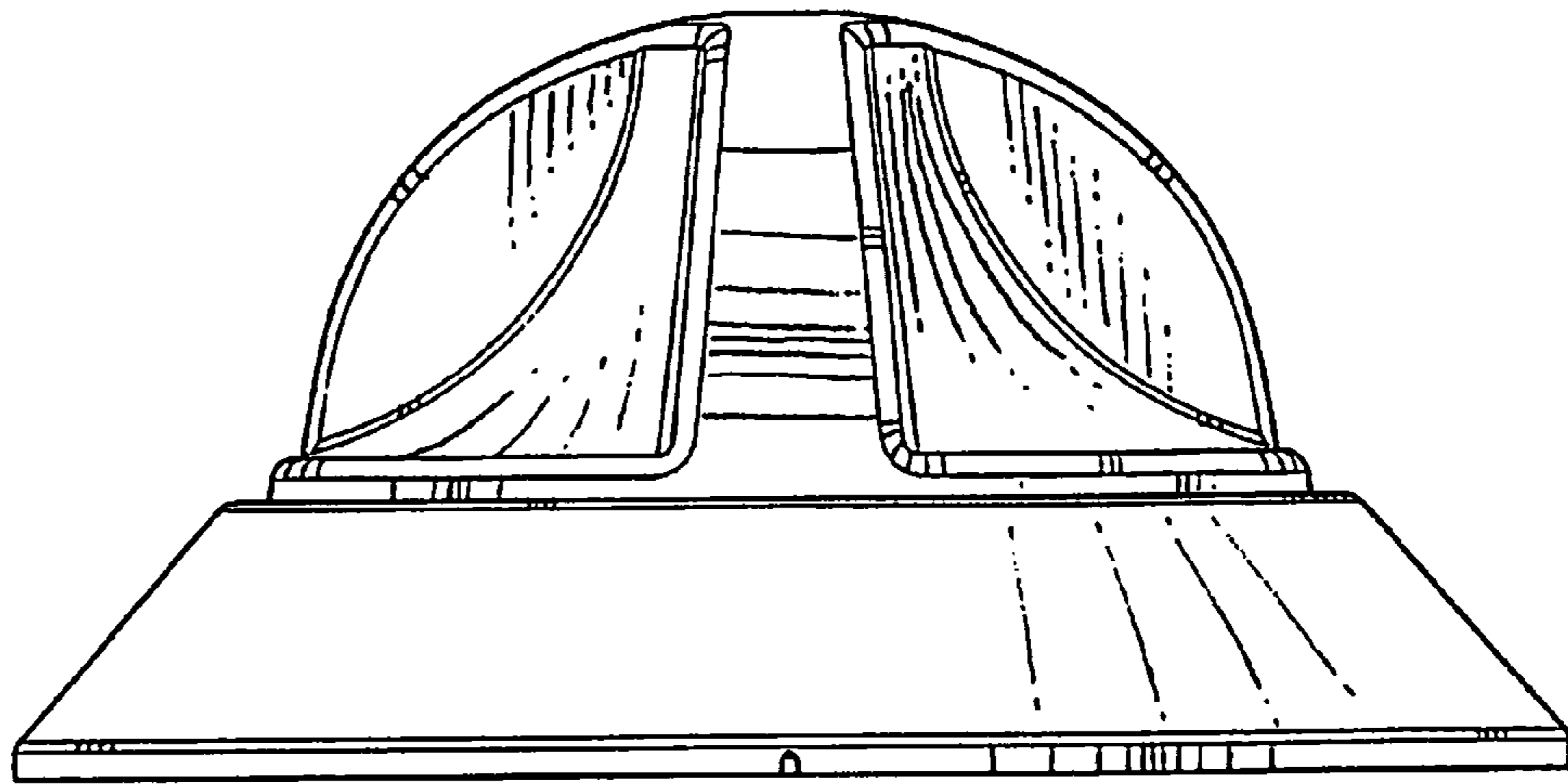


FIG. 3

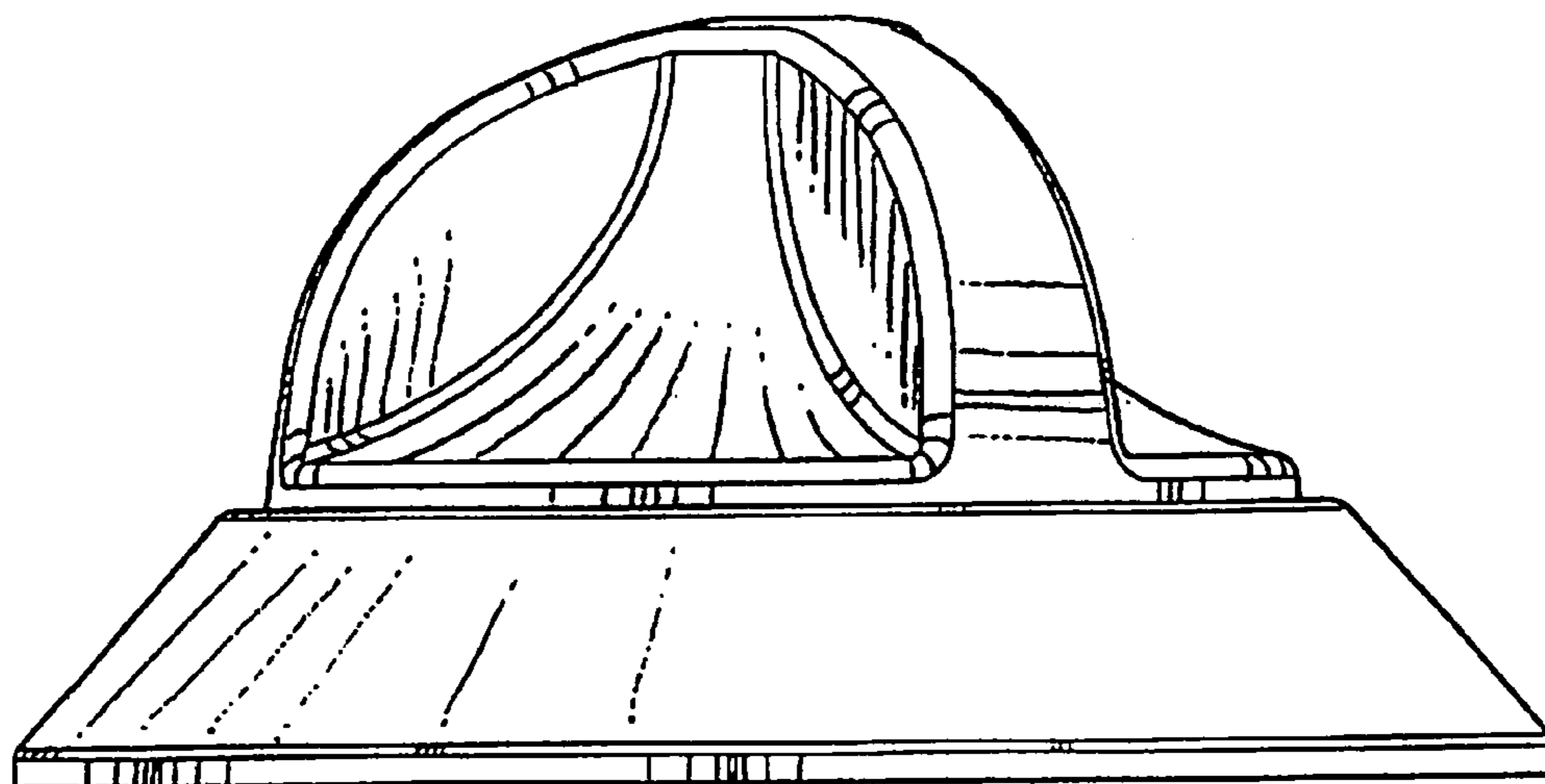


FIG. 4