

US00D697587S

(12) **United States Design Patent**
Nissen et al.

(10) **Patent No.:** **US D697,587 S**
(45) **Date of Patent:** **** Jan. 14, 2014**

(54) **EXPANSION VALVE**

(71) Applicant: **Danfoss A/S**, Nordborg (DK)

(72) Inventors: **Birthe Reese Nissen**, Nordborg (DK);
Ejner Kobberç Andersen, Nordborg (DK);
John Porland, Sydals (DK);
Johan van Beek, Almind (DK); **Michael Birkelund**, Middelfart (DK); **Marcin Abramowicz**, Nordborg (DK)

(73) Assignee: **Danfoss A/S**, Nordborg (DK)

(**) Term: **14 Years**

(21) Appl. No.: **29/460,329**

(22) Filed: **Jul. 10, 2013**

Related U.S. Application Data

(62) Division of application No. 29/398,557, filed on Aug. 2, 2011, now Pat. No. Des. 692,983.

(51) **LOC (10) Cl.** **23-01**

(52) **U.S. Cl.**
USPC **D23/233**

(58) **Field of Classification Search**
USPC D23/233–237, 225, 202, 203, 204, 205,
D23/244–246; 251/61.1, 61.2, 118, 305,
251/324, 332, 335.3, 349, 352, 366;
137/116.3, 505, 505.42, 527, 527.6
See application file for complete search history.

(56) **References Cited**

U.S. PATENT DOCUMENTS

D449,093 S * 10/2001 Engelbretsson et al. ... D23/235

D455,474 S *	4/2002	Knobel et al.	D23/245
D479,577 S *	9/2003	Engelbretsson	D23/235
D504,715 S *	5/2005	Hagihara	D23/235
D539,387 S *	3/2007	Donovan et al.	D23/233
D607,538 S *	1/2010	Nun	D23/233
D609,307 S *	2/2010	Moriyama	D23/233
D610,652 S *	2/2010	Ben-Nun	D23/233
D633,986 S *	3/2011	Ito et al.	D23/233
D634,813 S *	3/2011	Hernandez, IV	D23/233
D638,521 S *	5/2011	Matusche	D23/233
D677,363 S *	3/2013	Norlander et al.	D23/233
2009/0272194 A1 *	11/2009	Weingarten	73/700

* cited by examiner

Primary Examiner — Cynthia Ramirez

(74) *Attorney, Agent, or Firm* — McCormick, Paulding & Huber LLP

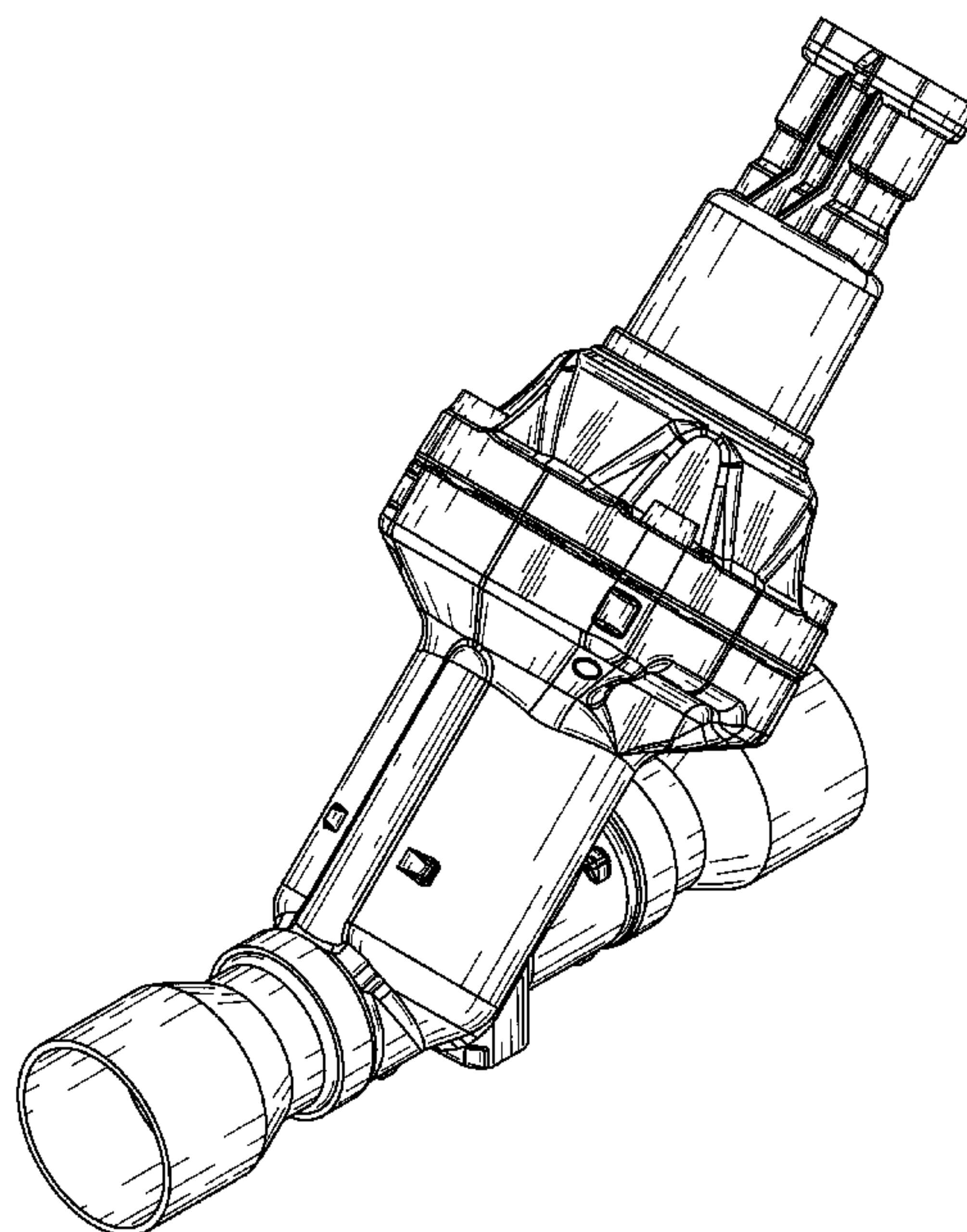
(57) **CLAIM**

The ornamental design for an expansion valve, substantially as shown.

DESCRIPTION

FIG. 1 is a front, top, right-hand side perspective view of an expansion valve comprising a new, original and ornamental design;
FIG. 2 is a front view thereof;
FIG. 3 is a rear view thereof;
FIG. 4 is a top view thereof;
FIG. 5 is a bottom view thereof;
FIG. 6 is a left-hand side view thereof; and,
FIG. 7 is a right-hand side view thereof.

1 Claim, 5 Drawing Sheets



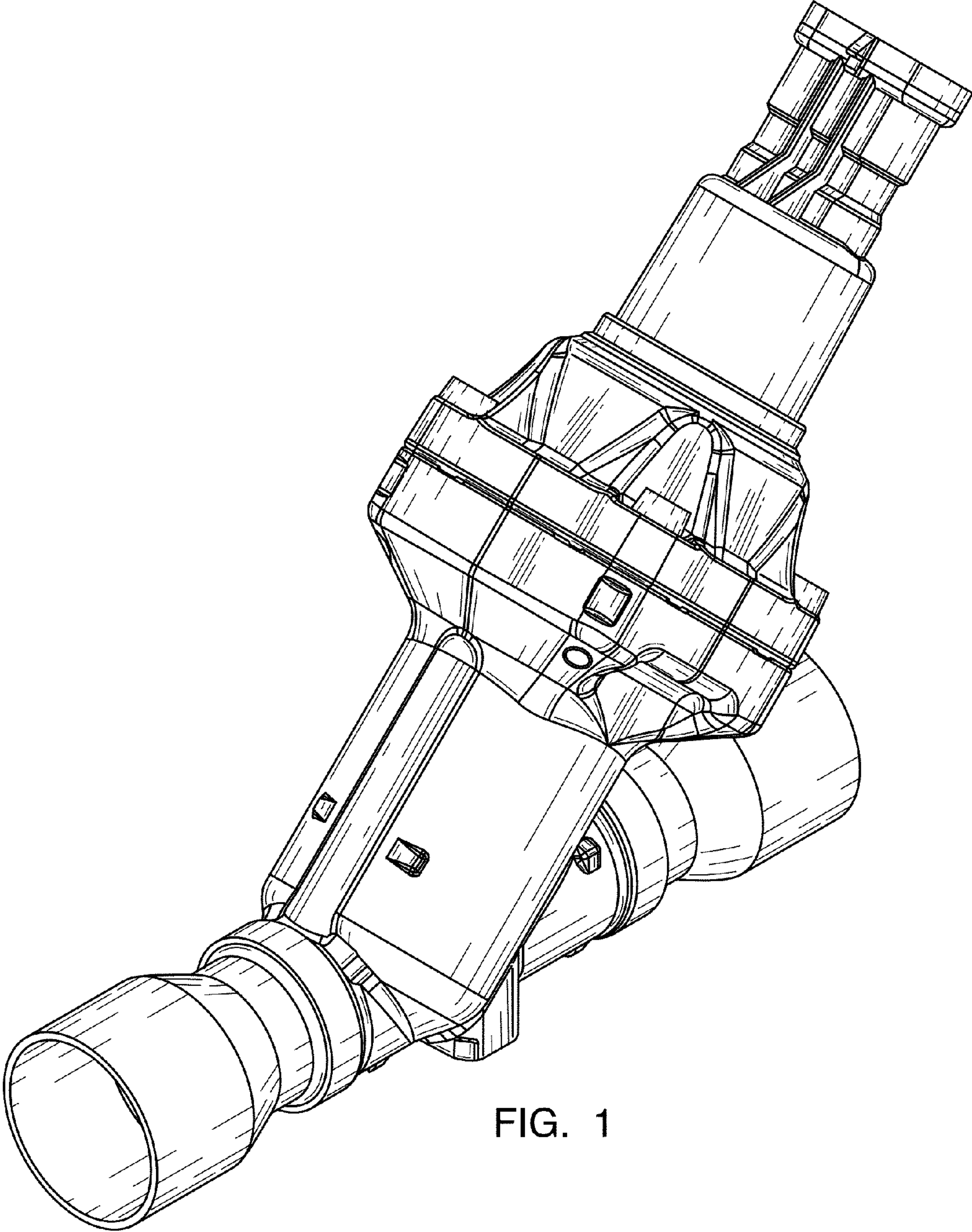


FIG. 1

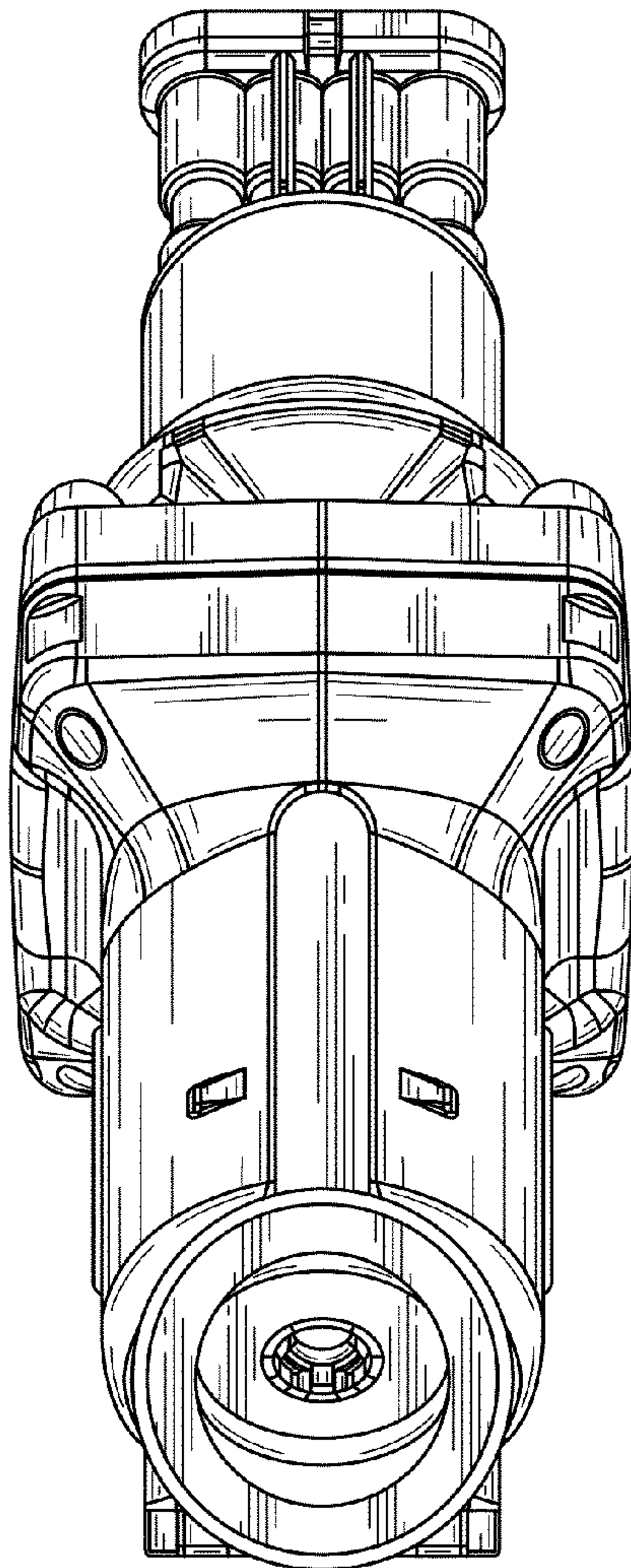


FIG. 2

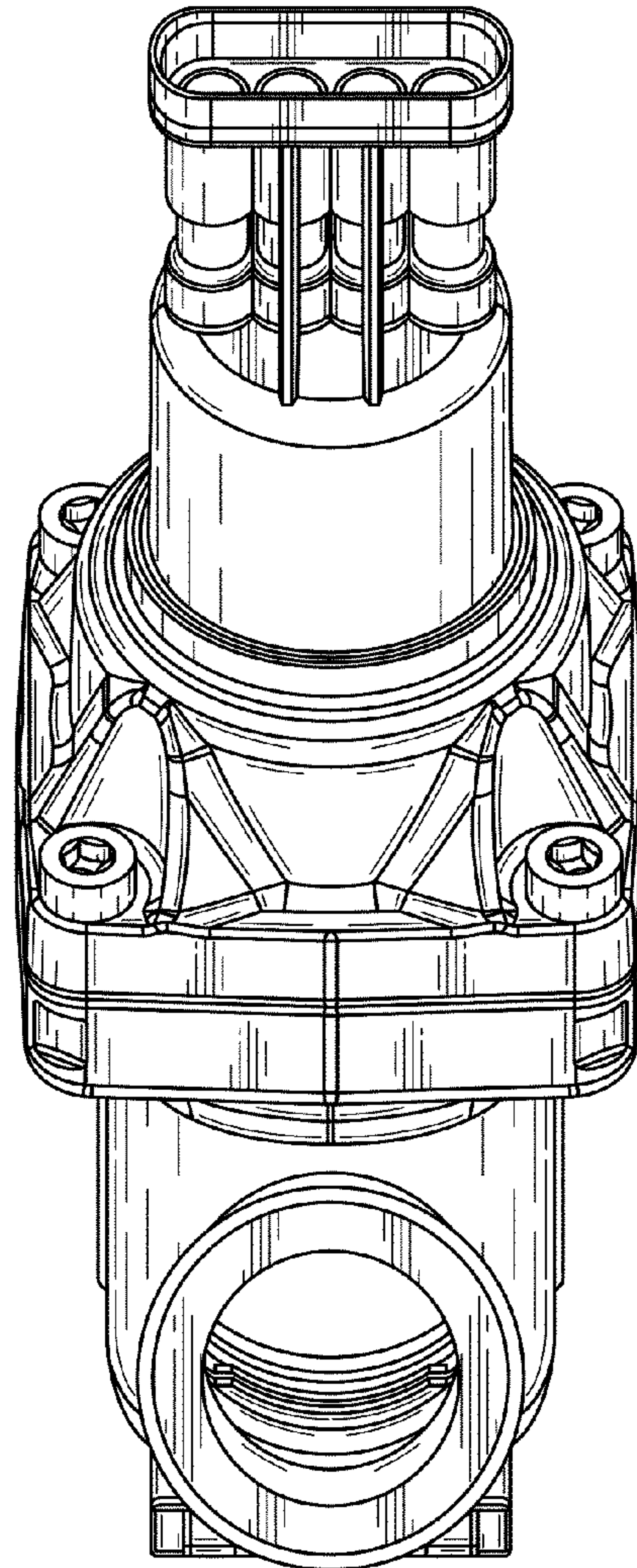


FIG. 3

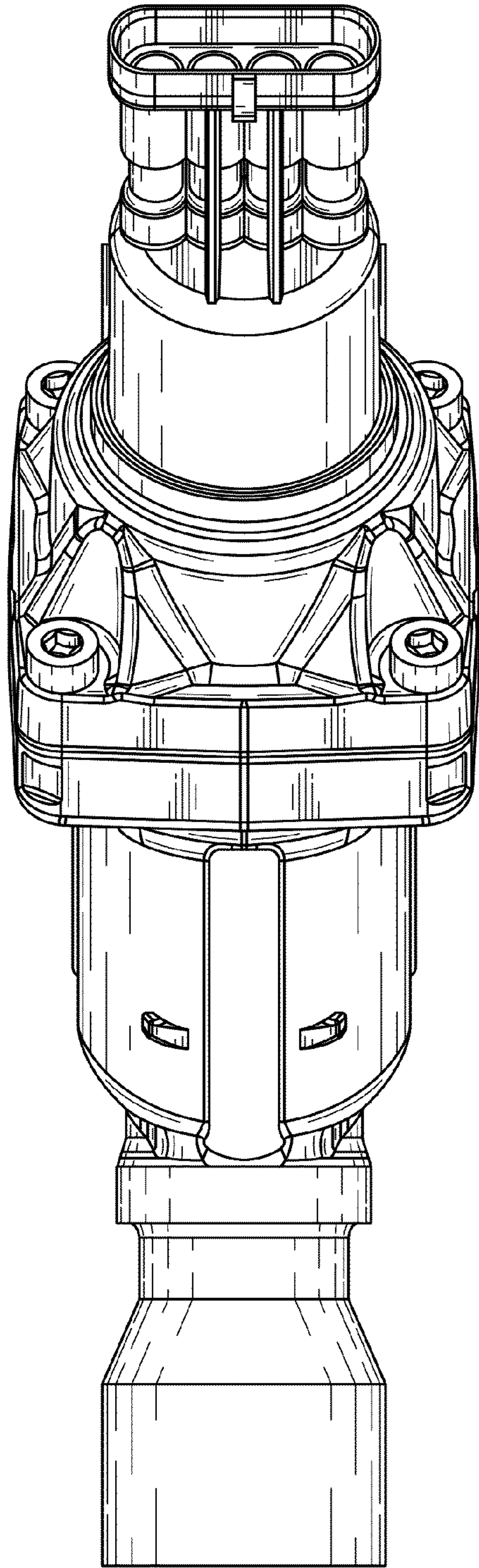


FIG. 4

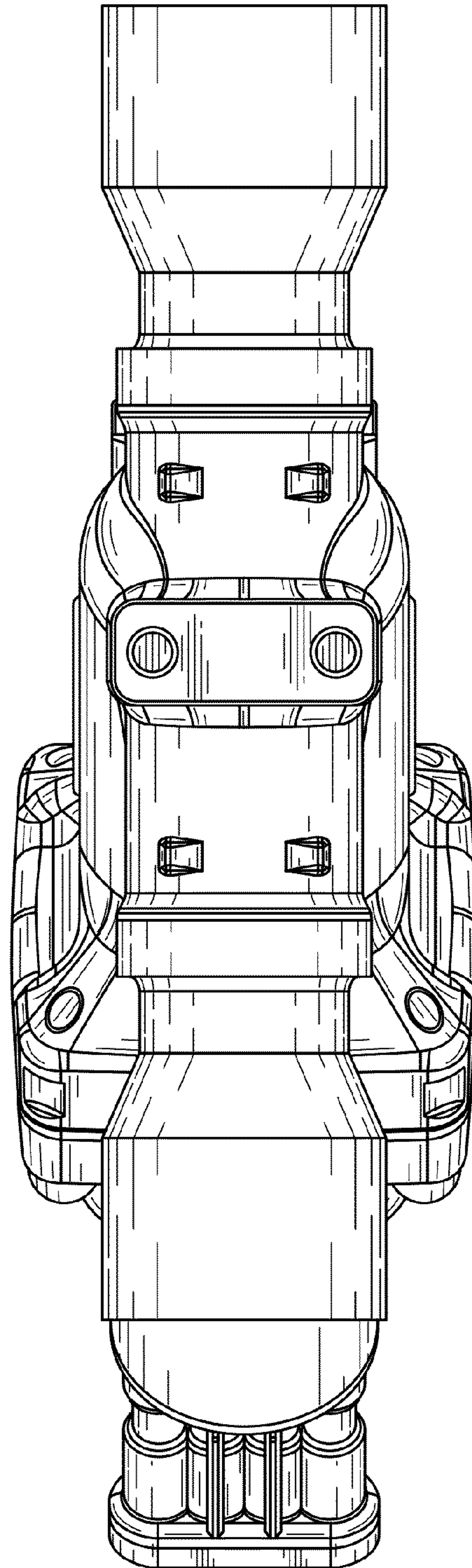


FIG. 5

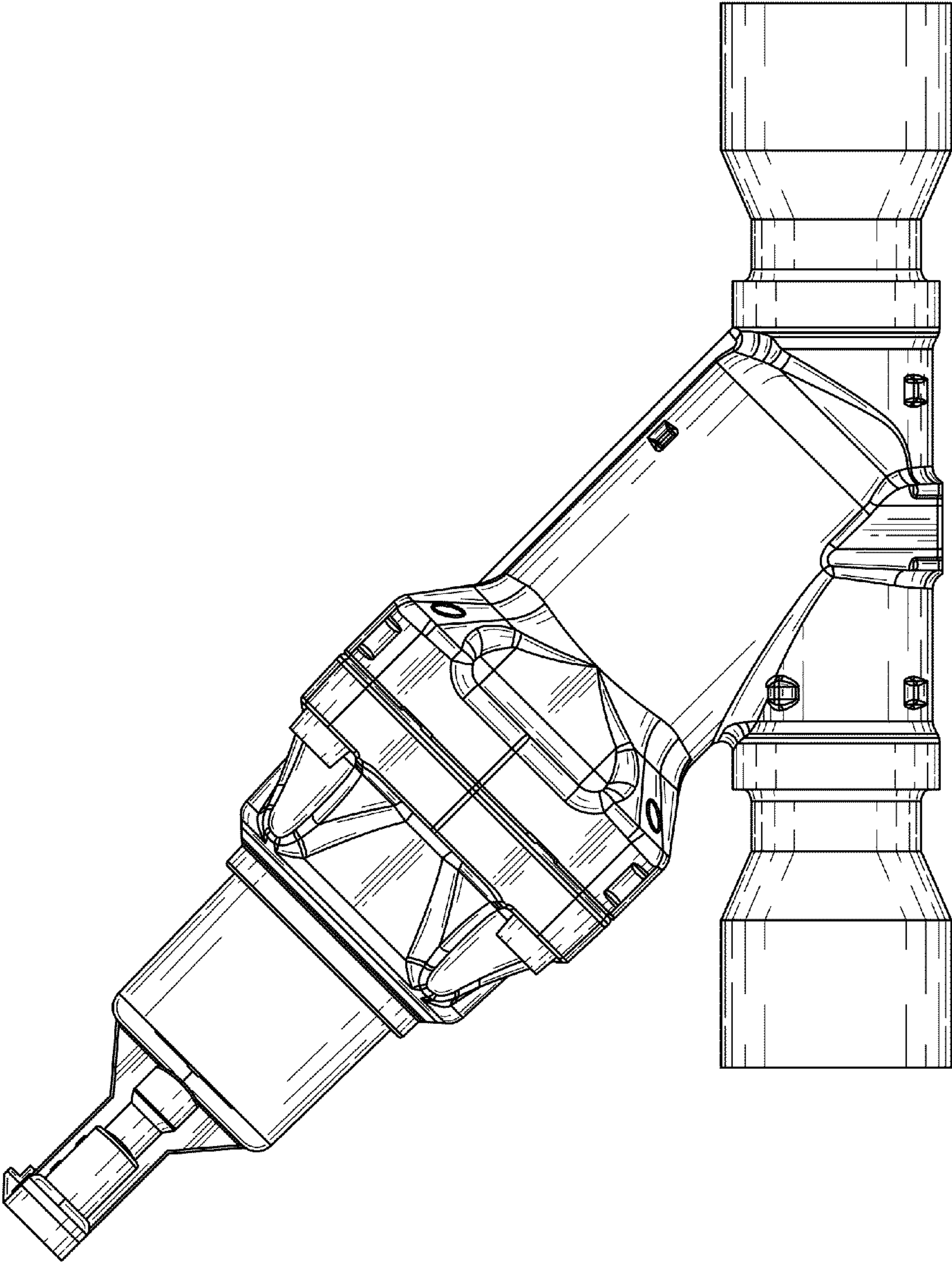


FIG. 6

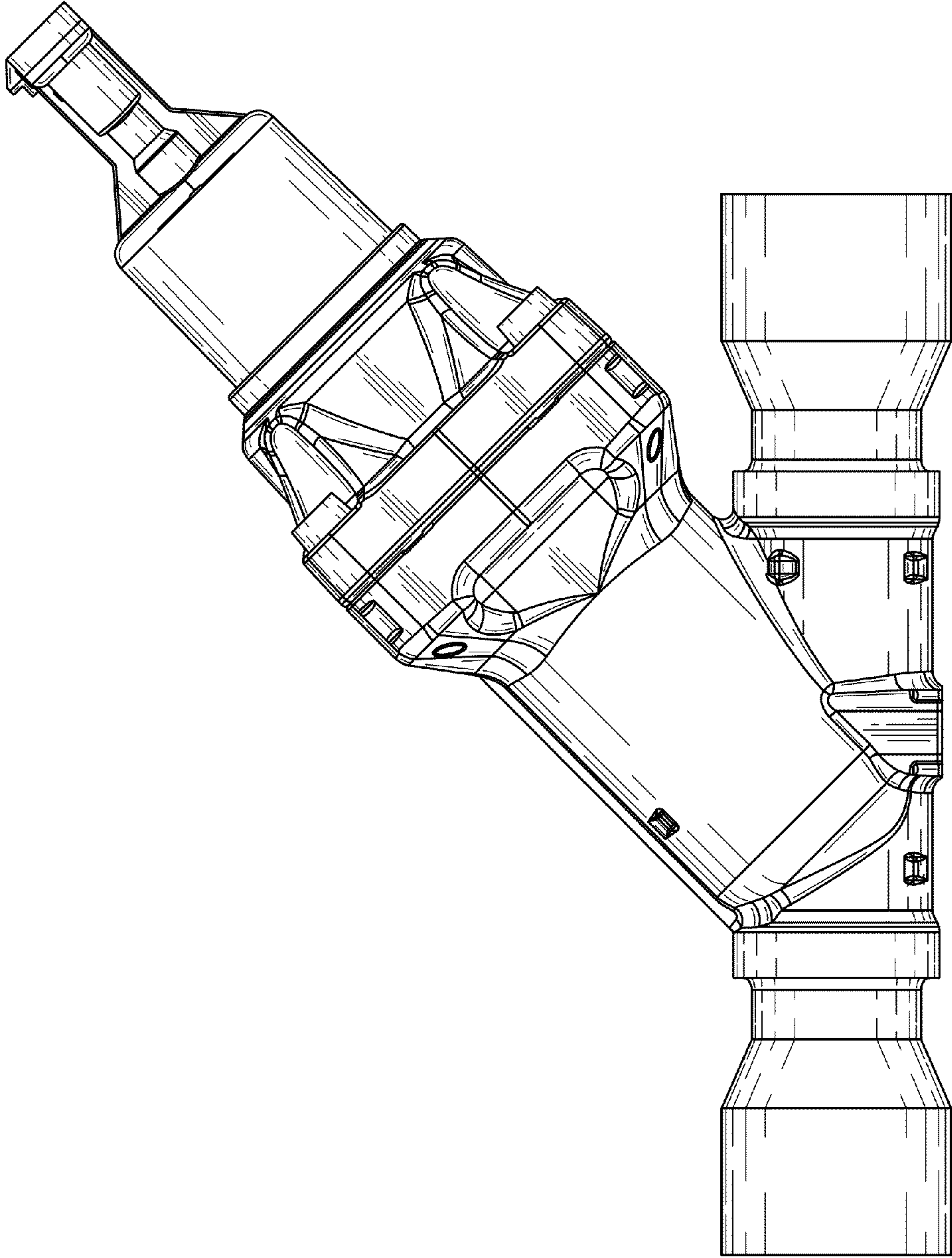


FIG. 7