

US00D697585S

(12) **United States Design Patent**
Liu et al.

(10) **Patent No.:** **US D697,585 S**
(45) **Date of Patent:** **** Jan. 14, 2014**

(54) **ACTUATOR HOUSING**

(75) Inventors: **Alina (Yun Zhi) Liu**, Tianjin (CN);
Nathan Carlson, Maple Grove, MN
(US); **Tom Bakken**, Apple Valley, MN
(US); **Leo (Lv) Wang**, Shanghai (CN);
Peter Benjamin Madson, Shanghai
(CN); **Clay (Pei Ning) Sun**, Shanghai
(CN)

5,551,477 A 9/1996 Kanno et al.
5,564,461 A 10/1996 Raymond, Jr. et al.
5,634,486 A 6/1997 Hatting et al.
5,806,555 A 9/1998 Magno, Jr.
5,954,088 A 9/1999 Huang
6,073,907 A 6/2000 Schreiner, Jr. et al.

(Continued)

FOREIGN PATENT DOCUMENTS

EP 1967777 9/2008
WO WO 2011/066328 6/2011

OTHER PUBLICATIONS

Smart-T and MT-Adapt-HW Mounting Adapter, 1 page, prior to Feb. 23, 2011.
U.S. Appl. No. 13/032,856, filed Feb. 23, 2011.

(Continued)

(73) Assignee: **Honeywell International Inc.**,
Morristown, NJ (US)

(**) Term: **14 Years**

(21) Appl. No.: **29/408,681**

(22) Filed: **Dec. 15, 2011**

Related U.S. Application Data

(63) Continuation-in-part of application No. 13/032,856,
filed on Feb. 23, 2011.

(51) **LOC (10) Cl.** **23-01**

(52) **U.S. Cl.**
USPC **D23/233**

(58) **Field of Classification Search**
USPC D23/233-237, 244-249; D10/85, 102,
D10/103; 251/291-292, 129.02, 129.11,
251/129.21; 335/255

See application file for complete search history.

(56) **References Cited**

U.S. PATENT DOCUMENTS

4,549,446 A 10/1985 Beeson
D286,907 S 11/1986 Hilpert et al.
D295,280 S 4/1988 Waiser
4,836,497 A 6/1989 Beeson
5,133,265 A 7/1992 Lahti et al.
5,518,462 A 5/1996 Yach

Primary Examiner — Cynthia Ramirez

(74) *Attorney, Agent, or Firm* — Seager Tufte & Wickhem
LLC.

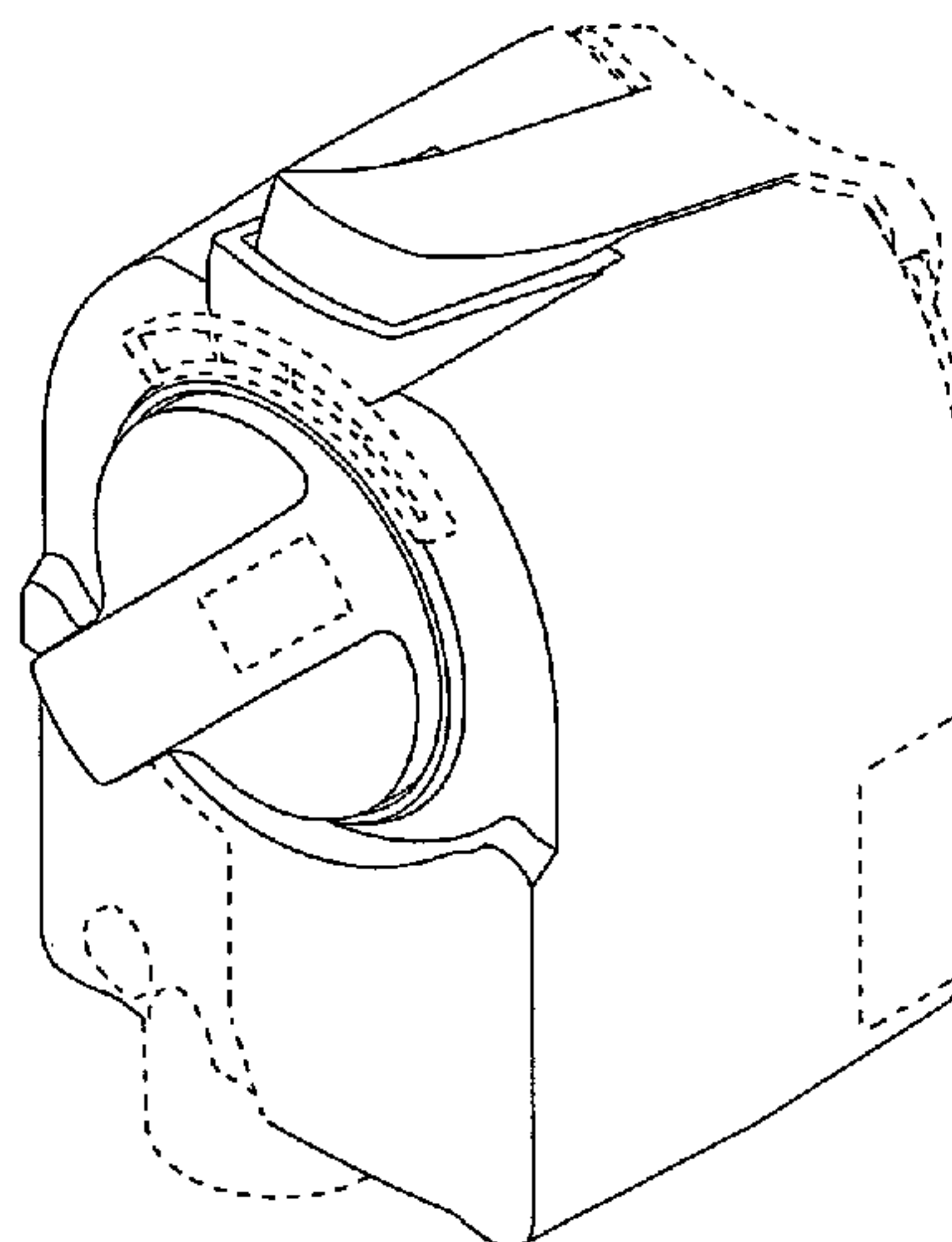
(57) **CLAIM**

The ornamental design of the actuator housing, as shown and
described.

DESCRIPTION

FIG. 1 is a perspective view of an actuator housing;
FIG. 2 is a front elevation view of the actuator housing of FIG.
1;
FIG. 3 is a left elevation view of the actuator housing of FIG.
1;
FIG. 4 is a right elevation view of the actuator housing of FIG.
1;
FIG. 5 is a top view of the actuator housing of FIG. 1;
FIG. 6 is a bottom view of the actuator housing of FIG. 1; and,
FIG. 7 is a back view of the actuator housing of FIG. 1.

1 Claim, 7 Drawing Sheets



(56)

References Cited

U.S. PATENT DOCUMENTS

D480,450	S	10/2003	Saadi et al.	
6,742,765	B2	6/2004	Takano et al.	
D498,821	S	11/2004	Nortier	
6,880,806	B2	4/2005	Haikawa et al.	
7,048,251	B2	5/2006	Schreiner	
7,131,635	B2	11/2006	Oh	
7,188,481	B2	3/2007	DeYoe et al.	
D543,003	S	5/2007	Helmetsie	
D571,290	S	6/2008	Gebhart et al.	
7,395,718	B2	7/2008	Obermeier	
D587,211	S	2/2009	Greenslade	
D600,319	S *	9/2009	Downing	D23/233
D610,655	S	2/2010	Schmidt	
D614,150	S	4/2010	Crites	
D616,067	S *	5/2010	Cavagna	D23/233
7,708,254	B2	5/2010	Hertzog	
D629,871	S	12/2010	Marinoni et al.	
D631,944	S *	2/2011	Karmel et al.	D23/233
D650,337	S	12/2011	Bonomi	
D654,523	S	2/2012	Iranyi et al.	
D675,714	S *	2/2013	Nguyen	D23/233
D687,070	S *	7/2013	Liao	D15/5
2012/0325338	A1 *	12/2012	Pettinaroli et al.	137/505

OTHER PUBLICATIONS

U.S. Appl. No. 13/358,435, filed Jan. 25, 2012.
 Honeywell, "Dampers Actuators and Valves," Application and Selection Guide, 295 pages, Jan. 2011.

Honeywell, "Excel 10 W7751H3007 VAV Actuators," Installation Instructions, 10 pages, 2007.
 Honeywell, "M5410 C1001/L1001 Small On/Off Linear Valve Actuators," Product Data, 4 pages, 2010.
 Honeywell, "M6061 Rotary Valve Actuators," Product Data, 6 pages, 2011.
 Honeywell, "ML6420A30xx/ML7420A60xx," Electric Linear Valve Actuators, Installation Instructions, 2 pages, 2010.
 Honeywell, "ML6435B/ML7435E Electric Linear Actuators for Floating/Modulating Control," Installation Instructions, 2 pages, 2008.
 Honeywell, "MT4-024/MT4-230 MT8-024/MT8-230, Small Linear Thermoelectric Actuators," Product Data, 5 pages, 2009.
 Honeywell, "MT-Clip—Mounting Clips for MT4/MT8," Mounting Instructions, 1 page, prior to Feb. 23, 2011.
 Honeywell, "MT-Clip-ATP—Mounting Clips for MT4/MT8," 2 pages, 2006.
 Honeywell, "N20xx/N34xx Non-spring Return Direct-Coupled Damper Actuators," Wiring, 4 pages, 2012.
 Honeywell, "Small Linear Thermoelectric Actuator, MT4-024/MT4-230/MT8-024/MT8-230," Mounting Instructions, 2 pages, 2006.
 Honeywell, "Small Linear Thermoelectric Actuator, MT4-024/MT4-230/MT8-024/MT8-230," Mounting Instructions, 2 pages, 2007.
 Honeywell, "VC2, VC4, VC60, VC8 On-Off Actuator for VC Series Balanced Hydronic Valves," Installation Instructions, 8 pages, 2011.
 Honeywell, M5003A, 2 pages, Sep. 2010.
 Honeywell, M6410C/L M7410C, 2 pages, prior to Feb. 23, 2011.
 Honeywell, M7061 Installation Instructions, 2 pages, 2003.
 Honeywell, "VC6800, VC6900 Series Floating Control Valves," Product Data, 6 pages, Nov. 1996.

* cited by examiner

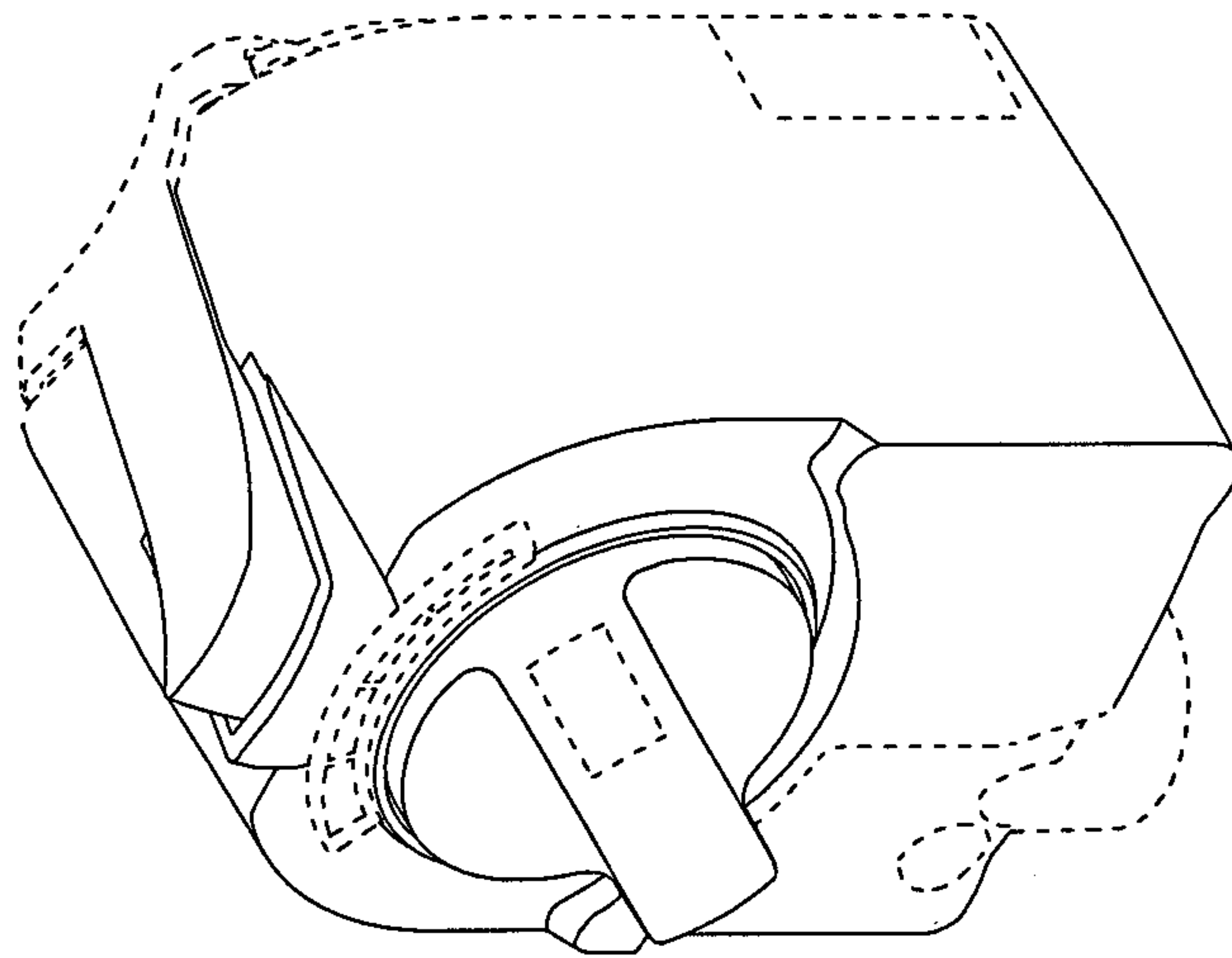


Figure 1

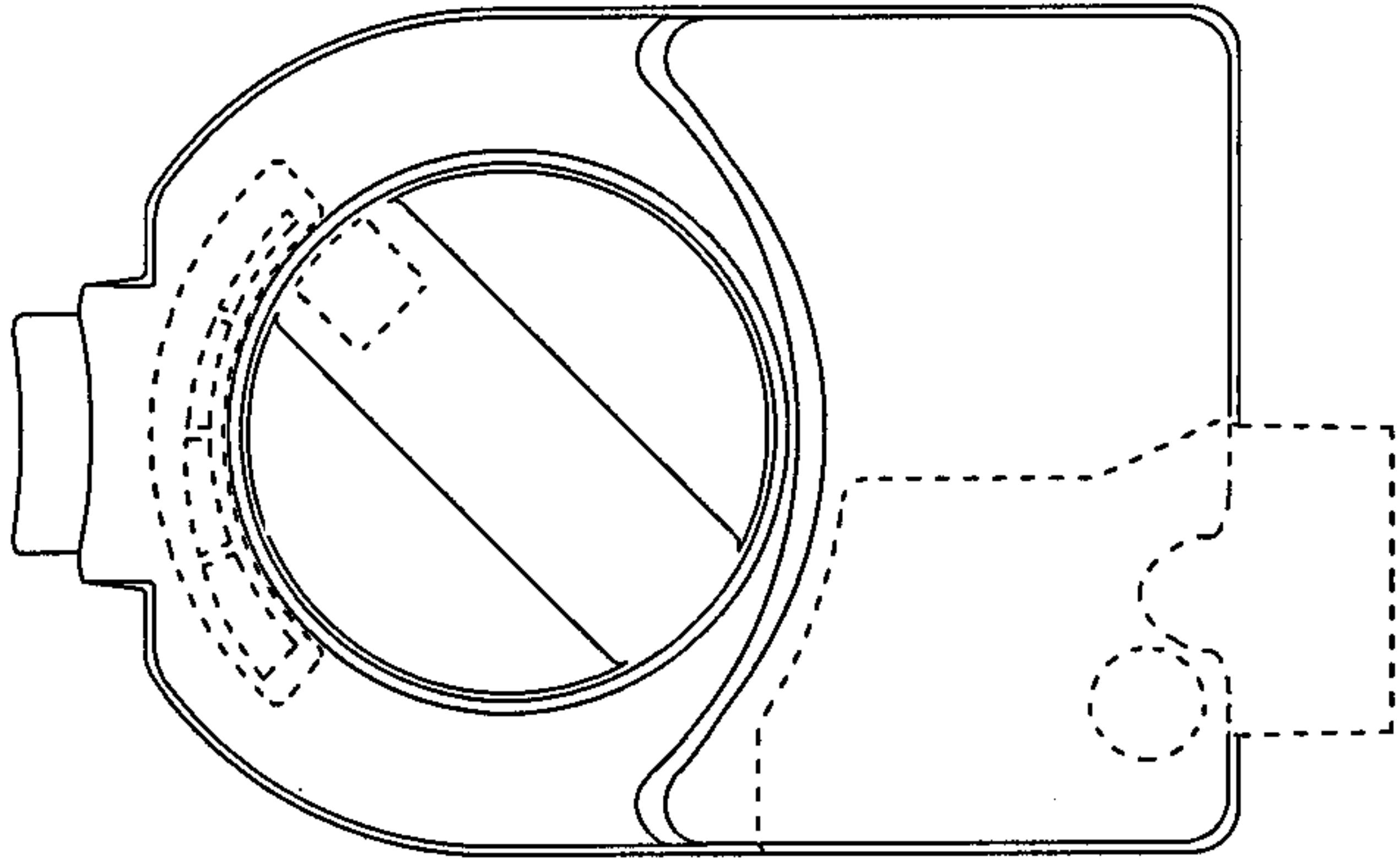


Figure 2

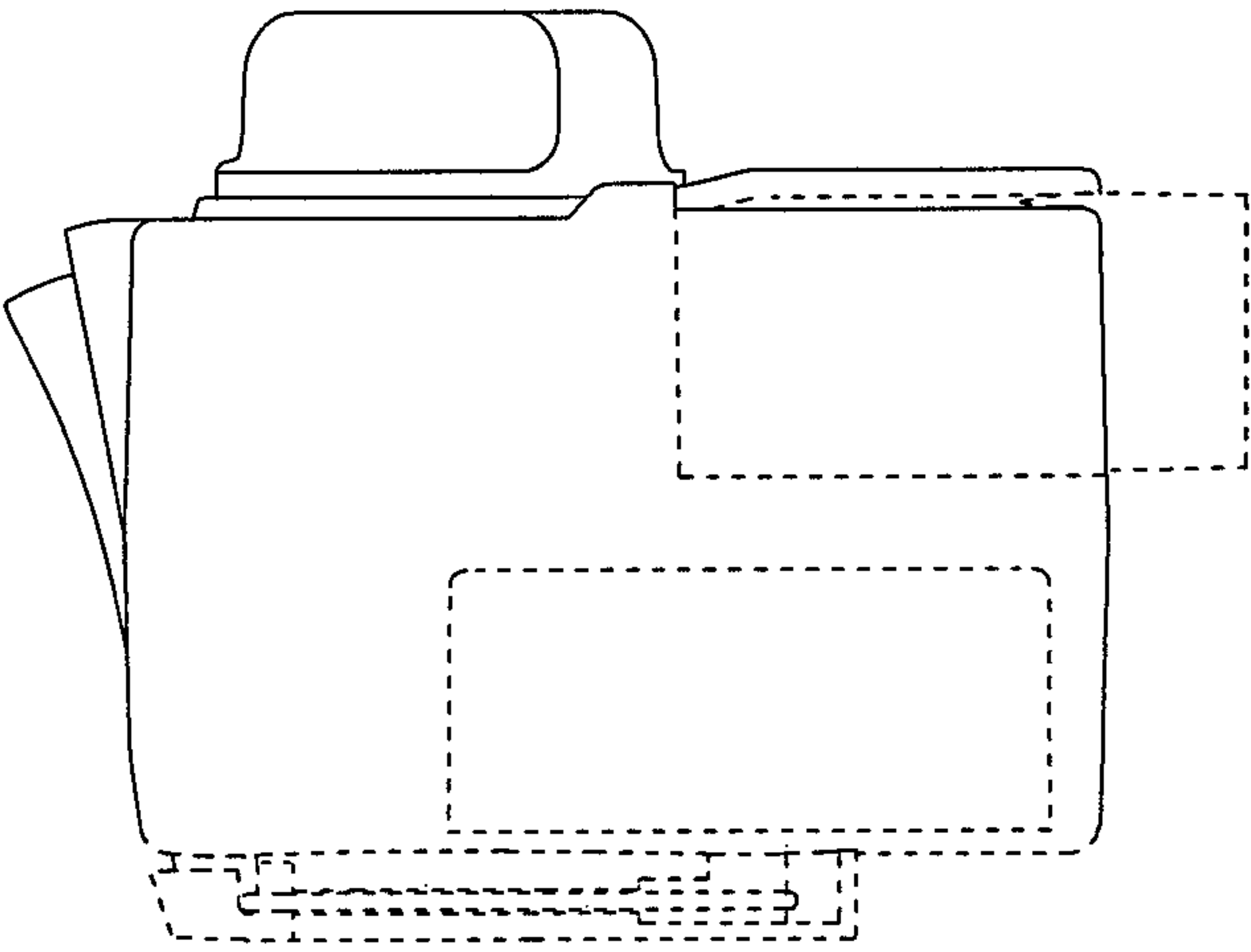


Figure 3

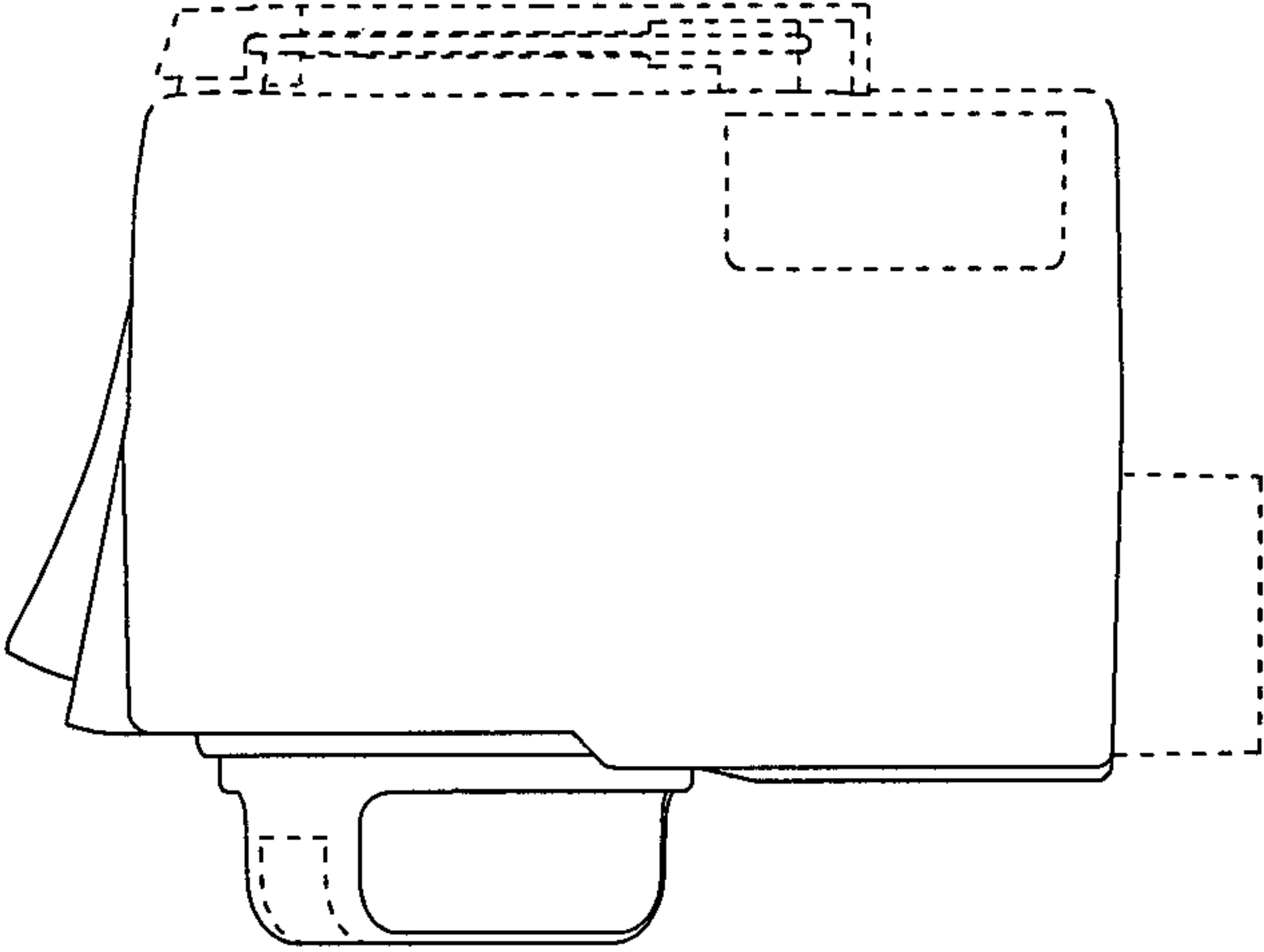


Figure 4

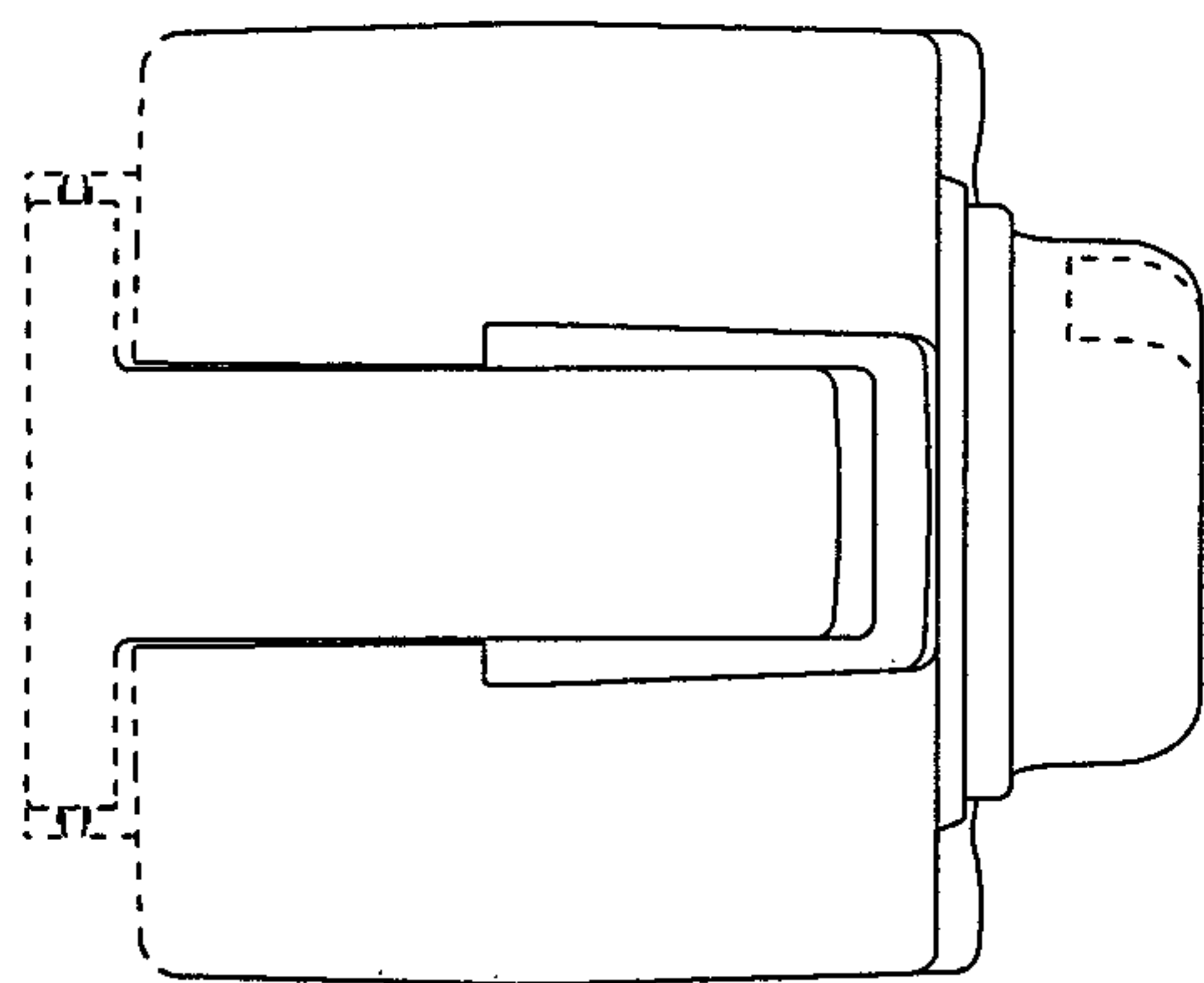


Figure 5

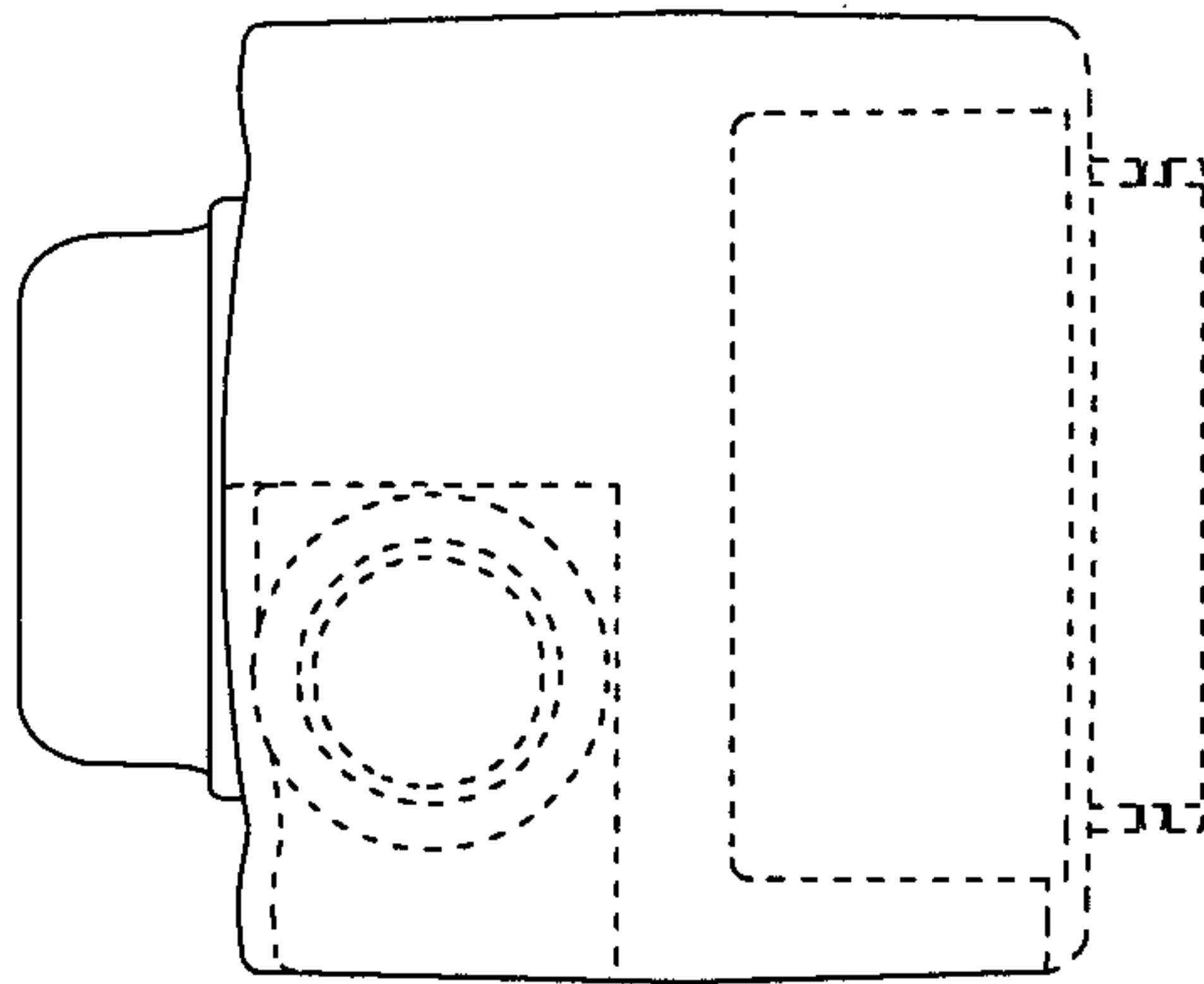


Figure 6

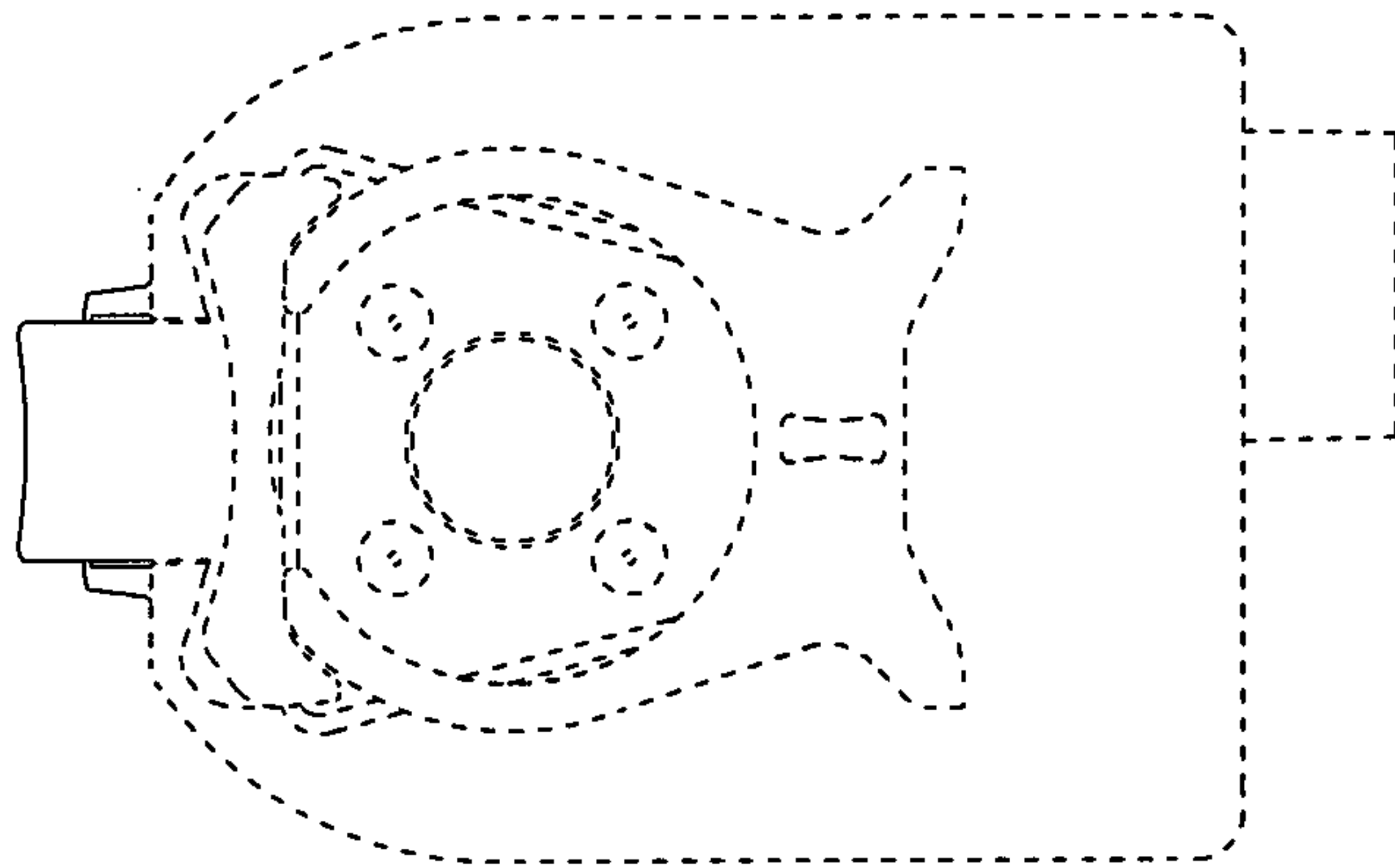


Figure 7