



US00D697584S

(12) **United States Design Patent**
Schmon et al.

(10) **Patent No.:** **US D697,584 S**
(45) **Date of Patent:** **** Jan. 14, 2014**

- (54) **SPRAY GUN**
- (71) Applicant: **SATA GmbH & Co. KG**, Kornwestheim (DE)
- (72) Inventors: **Ewald Schmon**, Grafenberg (DE);
Helmut Ess, Remshalden (DE)
- (73) Assignee: **SATA GmbH & Co. KG**, Kornwestheim (DE)
- (**) Term: **14 Years**
- (21) Appl. No.: **29/461,113**
- (22) Filed: **Jul. 18, 2013**

| | | | |
|---------------|---------|-----------------------|---------|
| 4,995,560 A * | 2/1991 | Lasley et al. | 239/708 |
| 5,322,221 A | 6/1994 | Anderson | |
| 5,341,989 A * | 8/1994 | Fulkerson et al. | 239/3 |
| D409,719 S | 5/1999 | Kaneko | |
| D448,451 S | 9/2001 | Turnbull et al. | |
| D457,599 S * | 5/2002 | Karwoski et al. | D23/226 |
| 7,017,838 B2 | 3/2006 | Schmon | |
| D545,943 S * | 7/2007 | Rodgers et al. | D23/226 |
| D548,816 S | 8/2007 | Schmon et al. | |
| D552,715 S | 10/2007 | Schmon et al. | |
| D563,505 S | 3/2008 | Schmon et al. | |
| D608,858 S * | 1/2010 | Baltz et al. | D23/226 |
| D641,067 S | 7/2011 | Wang | |
| D644,716 S | 9/2011 | Gehrunge | |
| D672,012 S | 12/2012 | Brose et al. | |

* cited by examiner

Primary Examiner — Robin V Webster

(74) *Attorney, Agent, or Firm* — Walter Ottesen P.A.

Related U.S. Application Data

- (62) Division of application No. 29/411,972, filed on Jan. 27, 2012, now Pat. No. Des. 689,593.
- (51) **LOC (10) Cl.** **23-01**
- (52) **U.S. Cl.**
USPC **D23/226**
- (58) **Field of Classification Search**
USPC D23/213, 223, 226, 225; 239/690,
239/690.1, 691, 302, 332, 308, 310, 291,
239/526, 379; 222/383.1, 465.1
See application file for complete search history.

(57) **CLAIM**

The ornamental design for a spray gun, as shown and described.

DESCRIPTION

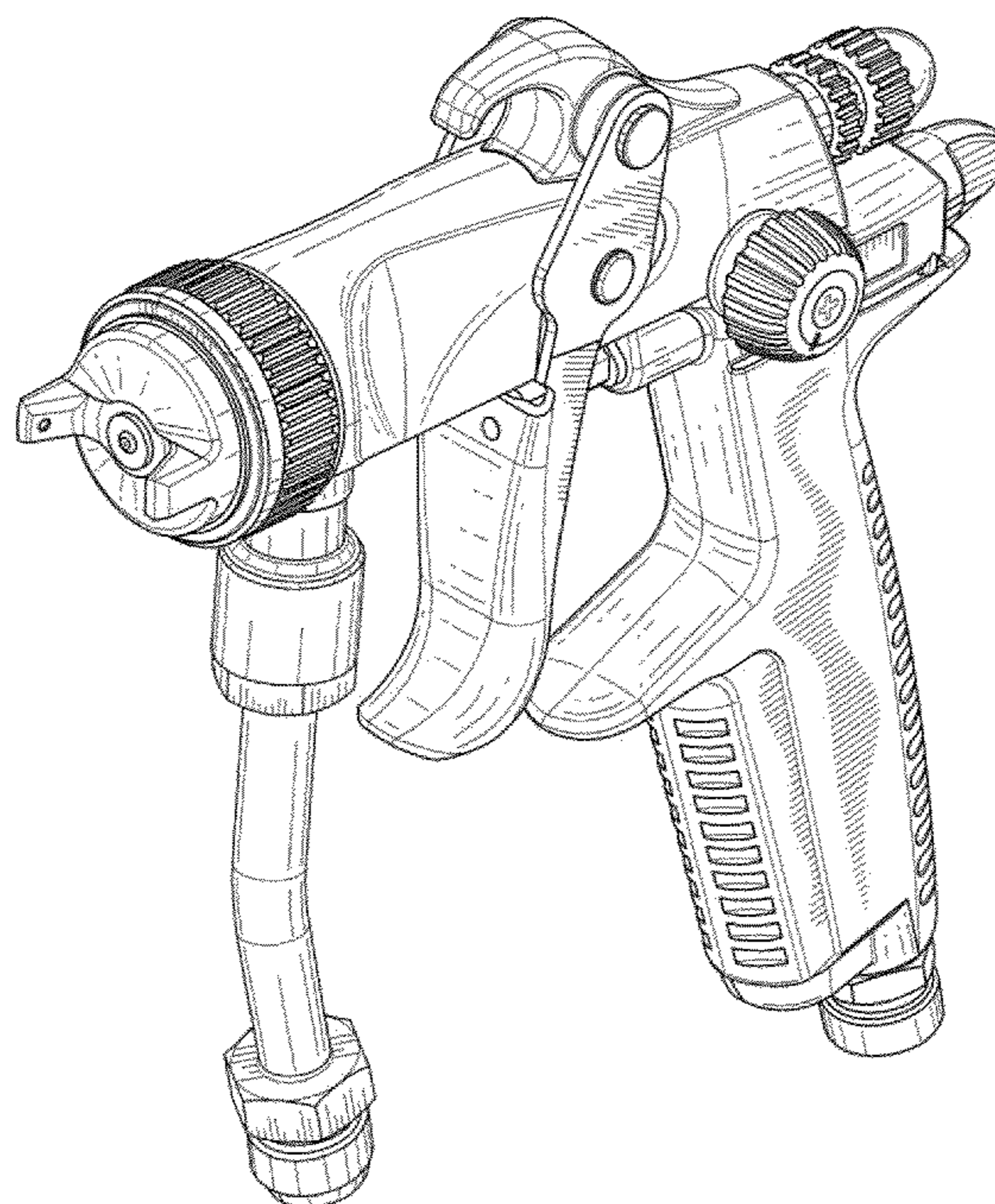
FIG. 1 is a perspective view of the spray gun of our new design;
 FIG. 2 is a right side elevation view of the spray gun of FIG. 1;
 FIG. 3 is a left side elevation view of the spray gun of FIG. 1;
 FIG. 4 is a front elevation view of the spray gun of FIG. 1;
 FIG. 5 is a rear elevation view of the spray gun of FIG. 1;
 FIG. 6 is a top plan view of the spray gun of FIG. 1; and,
 FIG. 7 is a bottom plan view of the spray gun of FIG. 1.

(56) **References Cited**

U.S. PATENT DOCUMENTS

| | | | |
|---------------|---------|-------------|---------|
| 3,633,828 A * | 1/1972 | Larson | 239/412 |
| D313,064 S * | 12/1990 | Lind et al. | D23/226 |

1 Claim, 5 Drawing Sheets



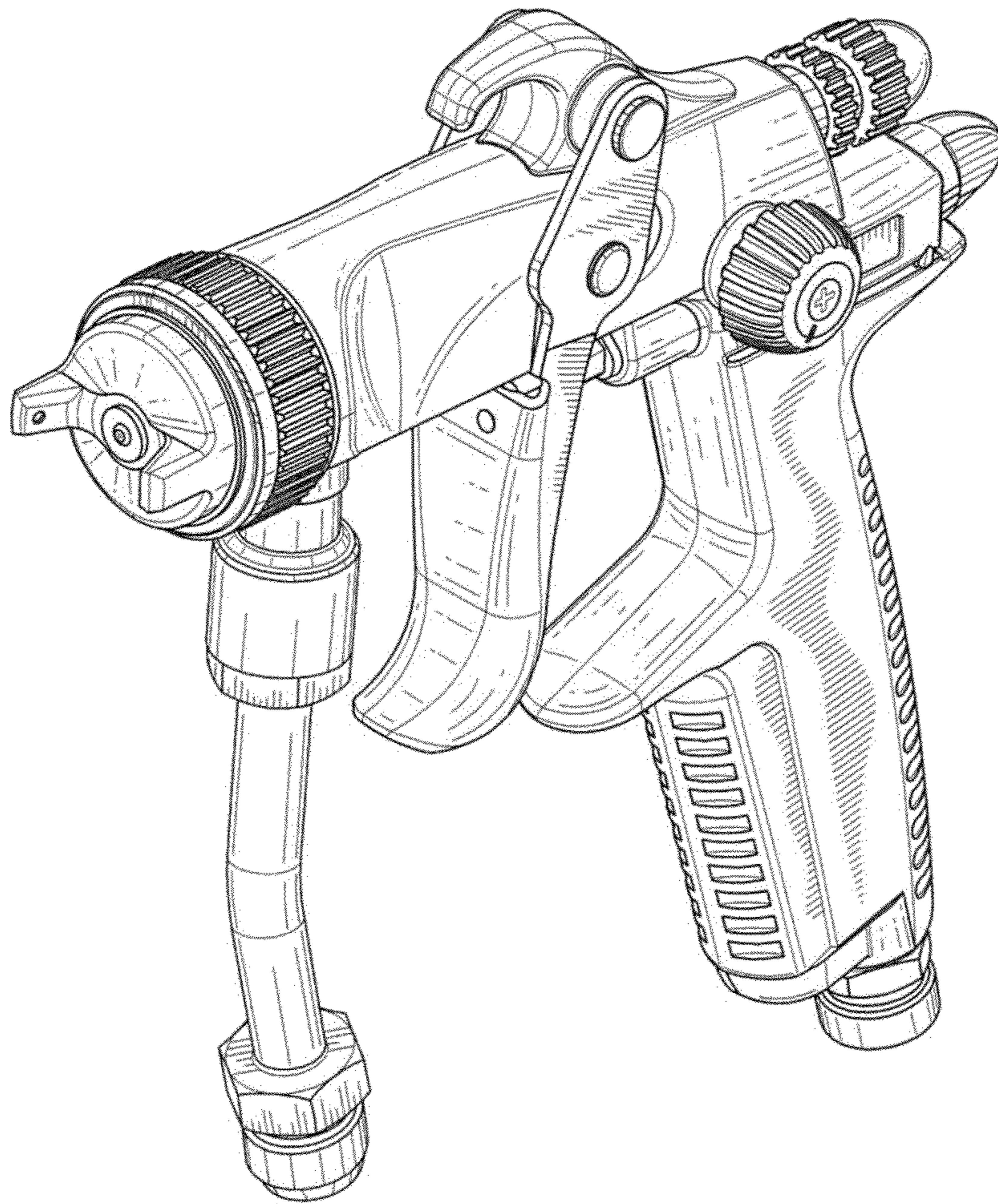


FIG. 1

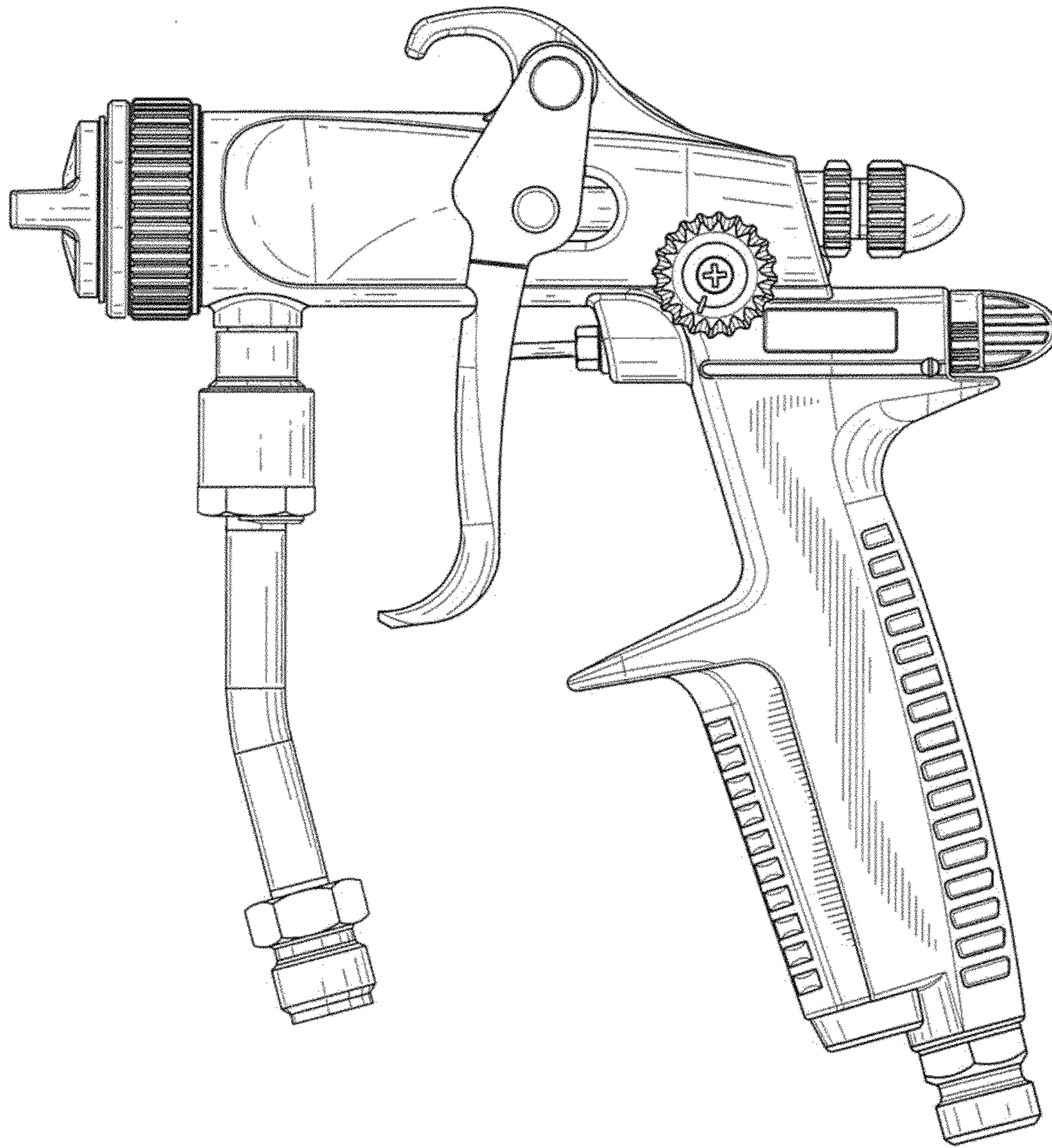


FIG. 2

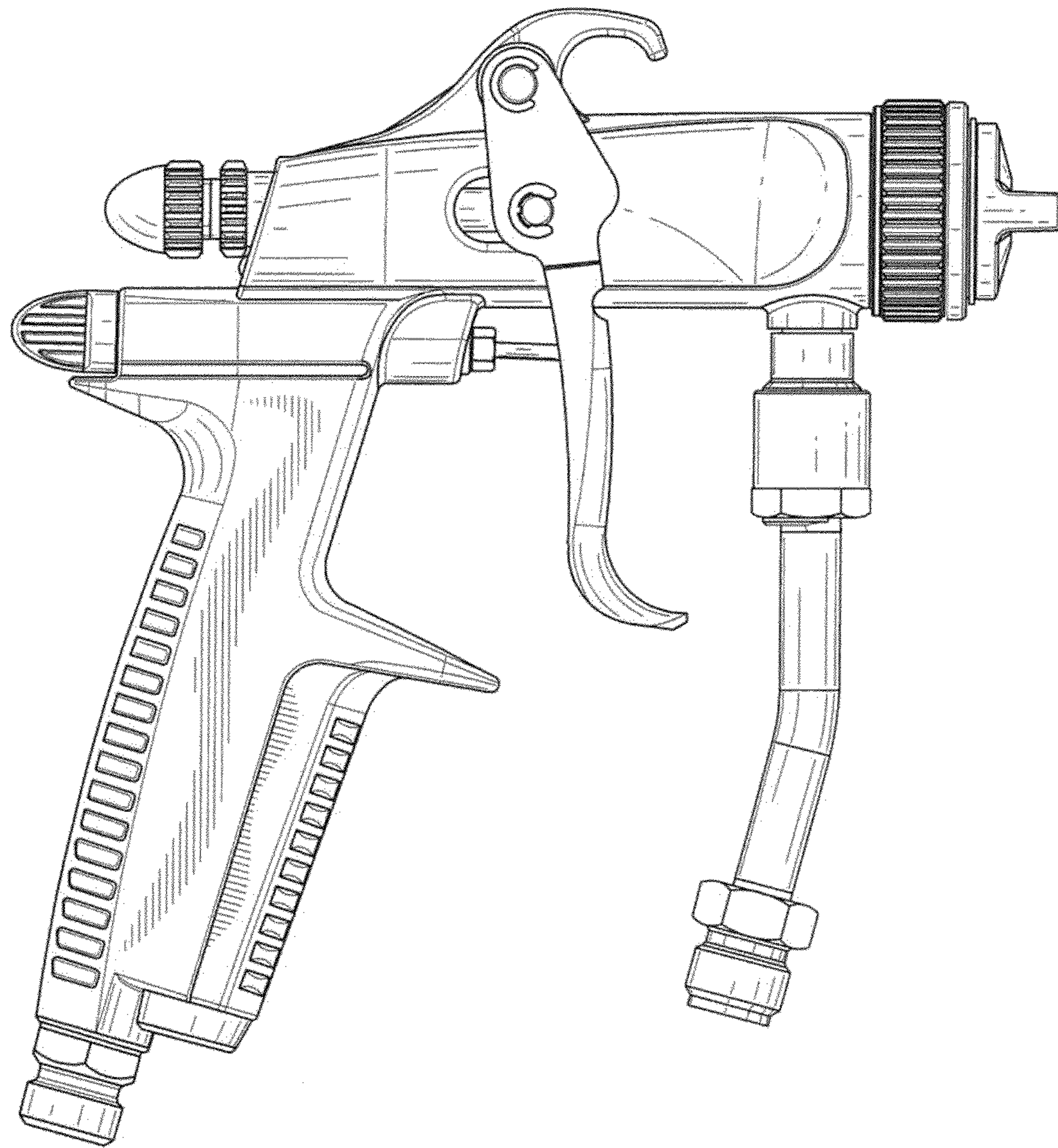


FIG. 3

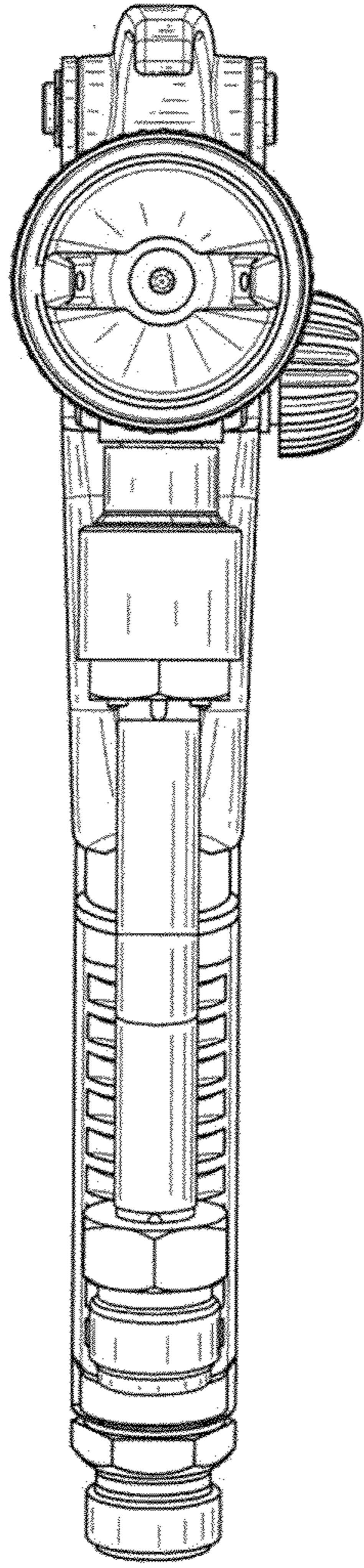


FIG. 4

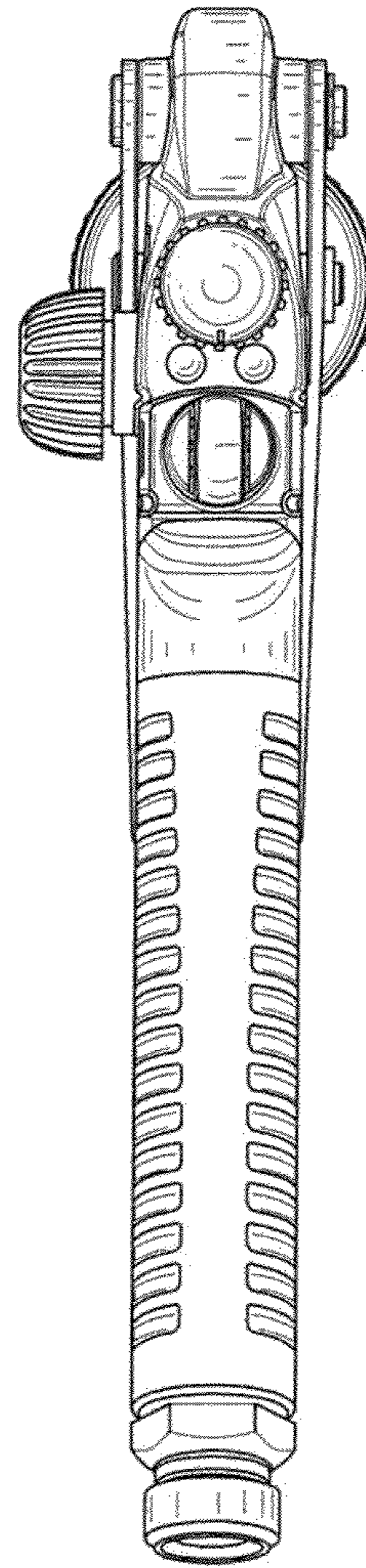


FIG. 5

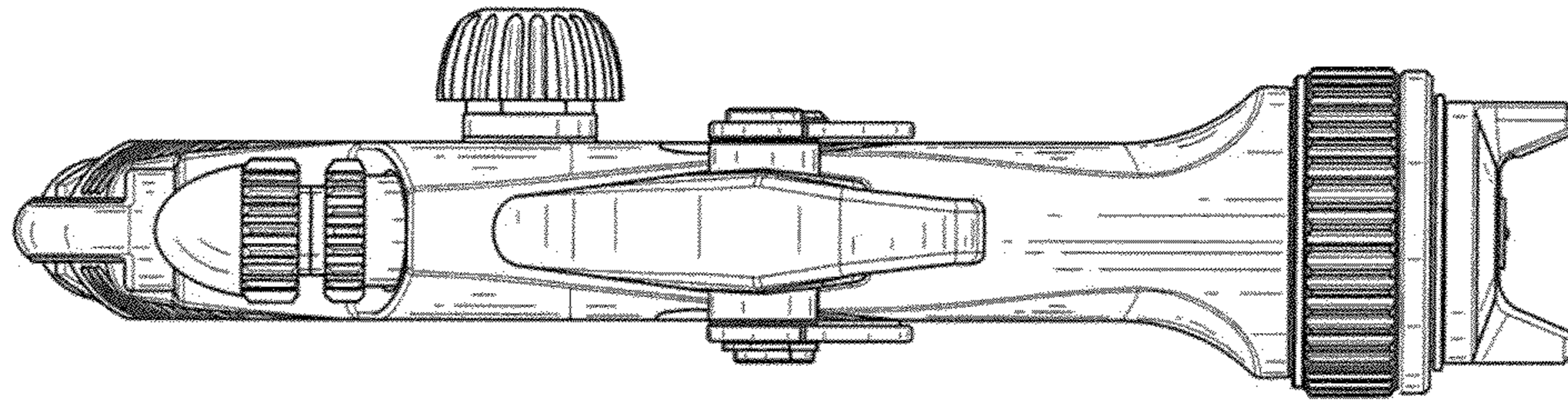


FIG. 6

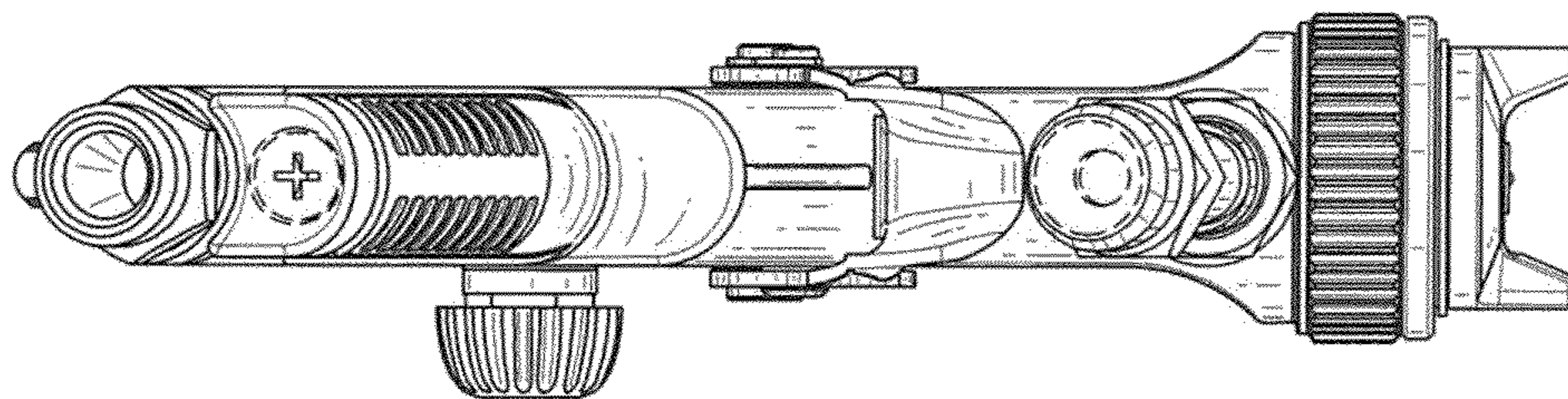


FIG. 7