



US00D697583S

(12) **United States Design Patent**
Schmon et al.

(10) **Patent No.:** **US D697,583 S**
(45) **Date of Patent:** **** Jan. 14, 2014**

- (54) **SPRAY GUN EQUIPPED WITH A CARTRIDGE**
- (71) Applicant: **SATA GmbH & Co. KG**, Kornwestheim (DE)
- (72) Inventors: **Ewald Schmon**, Grafenberg (DE); **Helmut Ess**, Remshalden (DE)
- (73) Assignee: **SATA GmbH & Co. KG**, Kornwestheim (DE)
- (**) Term: **14 Years**
- (21) Appl. No.: **29/461,553**
- (22) Filed: **Jul. 24, 2013**

D474,528	S	*	5/2003	Huang	D23/225
6,820,824	B1	*	11/2004	Joseph et al.	239/346
6,945,429	B2	*	9/2005	Gosis et al.	222/105
7,017,838	B2		3/2006	Schmon		
7,232,077	B2	*	6/2007	Turnbull	239/1
D548,816	S		8/2007	Schmon et al.		
D552,715	S		10/2007	Schmon et al.		
D563,505	S		3/2008	Schmon et al.		
7,789,324	B2	*	9/2010	Bouic et al.	239/345
7,823,806	B2	*	11/2010	Schmon	239/600
D641,067	S		7/2011	Wang		
D644,716	S		9/2011	Gehrung		
8,066,205	B2	*	11/2011	Bass et al.	239/526
D672,012	S		12/2012	Brose et al.		

* cited by examiner

Primary Examiner — Robin V Webster
(74) *Attorney, Agent, or Firm* — Walter Ottesen P.A.

Related U.S. Application Data

- (62) Division of application No. 29/411,972, filed on Jan. 27, 2012, now Pat. No. Des. 689,593.
- (51) **LOC (10) Cl.** **23-01**
- (52) **U.S. Cl.**
USPC **D23/225**
- (58) **Field of Classification Search**
USPC D23/213, 223, 226, 225; 239/690, 239/690.1, 691, 302, 332, 308, 310, 291, 239/526, 379; 222/383.1, 465.1
See application file for complete search history.

(57) **CLAIM**

The ornamental design for a spray gun equipped with a cartridge, as shown and described.

DESCRIPTION

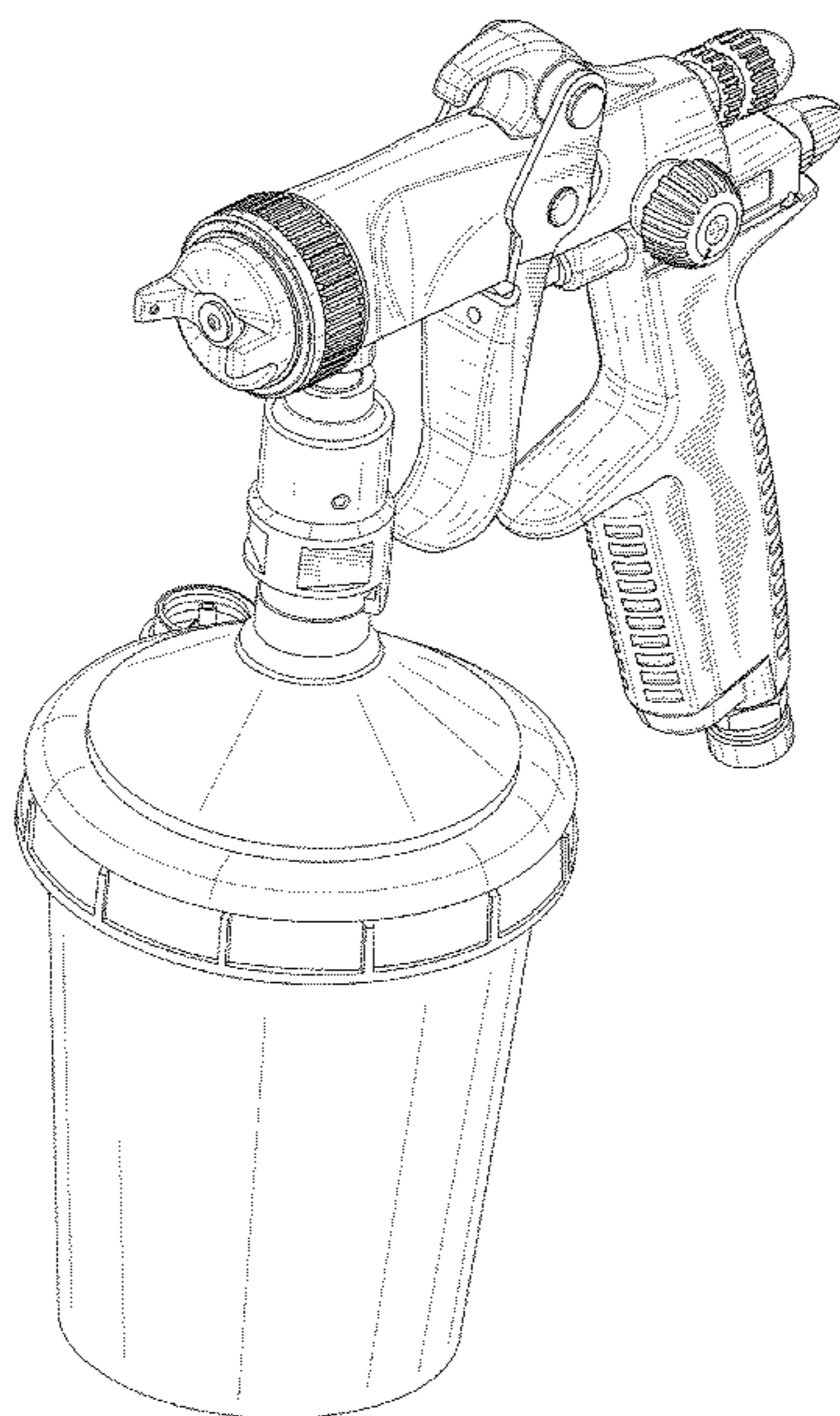
FIG. 1 is a perspective view of our new design of a spray gun equipped with a cartridge;
 FIG. 2 is a right side elevation view of the spray gun equipped with a cartridge of FIG. 1;
 FIG. 3 is a left side elevation view of the spray gun equipped with a cartridge of FIG. 1;
 FIG. 4 is a front elevation view of the spray gun equipped with a cartridge of FIG. 1;
 FIG. 5 is a rear elevation view of the spray gun equipped with a cartridge of FIG. 1;
 FIG. 6 is a top plan view of the spray gun equipped with a cartridge of FIG. 1; and,
 FIG. 7 is a bottom plan view of the spray gun equipped with a cartridge of FIG. 1.

(56) **References Cited**

U.S. PATENT DOCUMENTS

1,703,384	A	*	2/1929	Birkenmaier	239/301
D220,179	S	*	3/1971	Farusteiner	D23/225
5,322,221	A		6/1994	Anderson		
D409,719	S		5/1999	Kaneko		
D448,451	S		9/2001	Turnbull et al.		
6,536,684	B1	*	3/2003	Wei	239/302

1 Claim, 6 Drawing Sheets



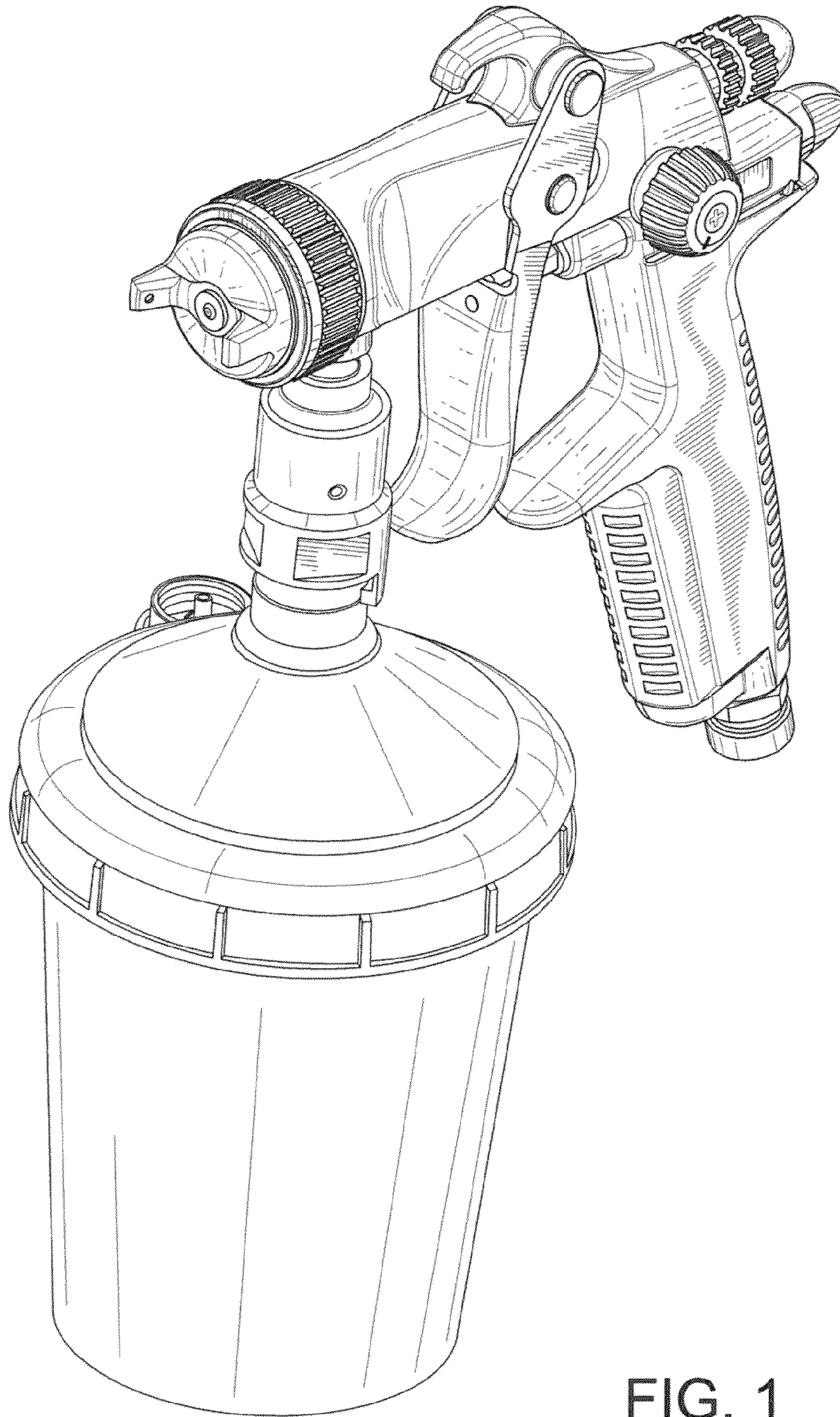


FIG. 1

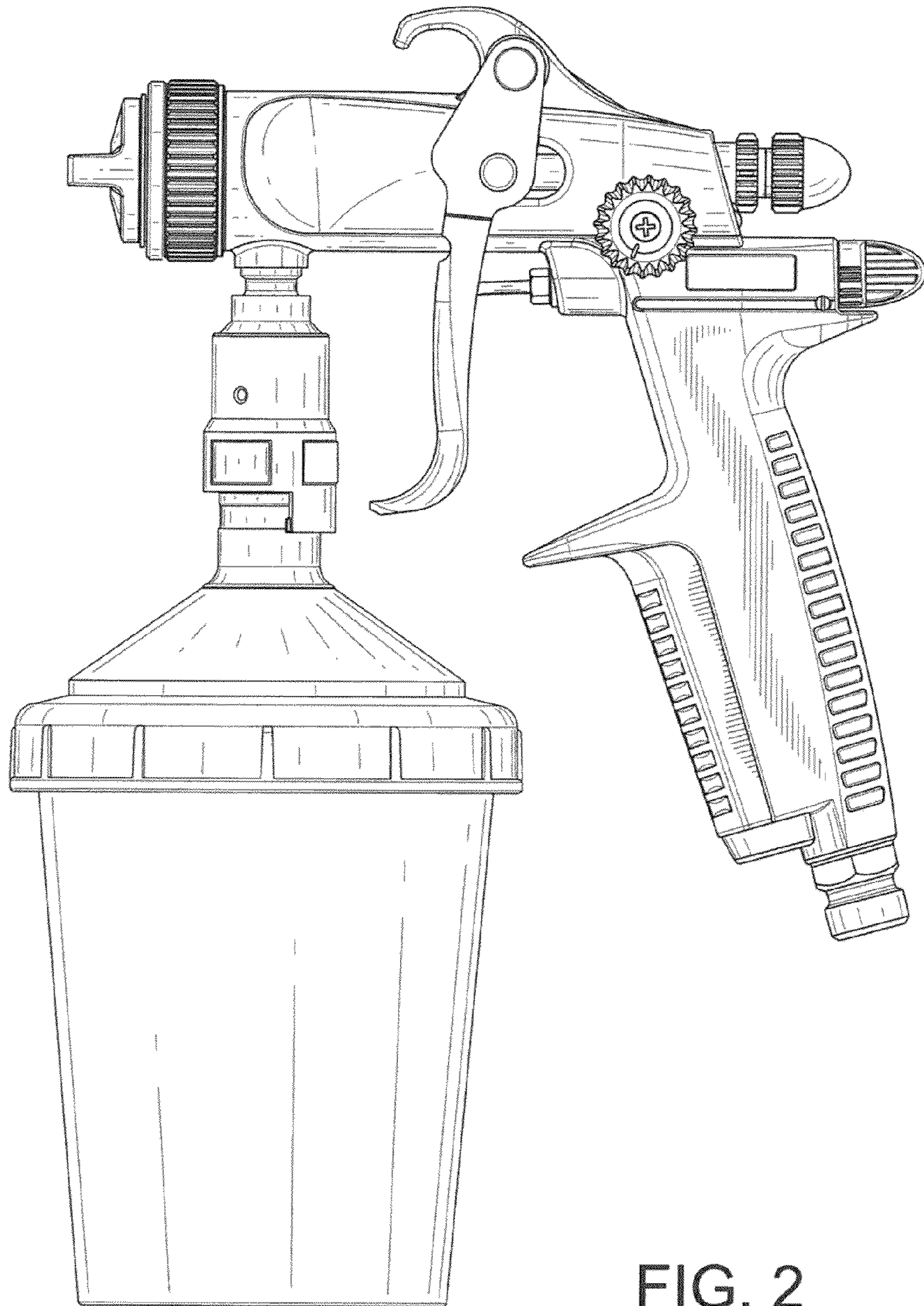


FIG. 2

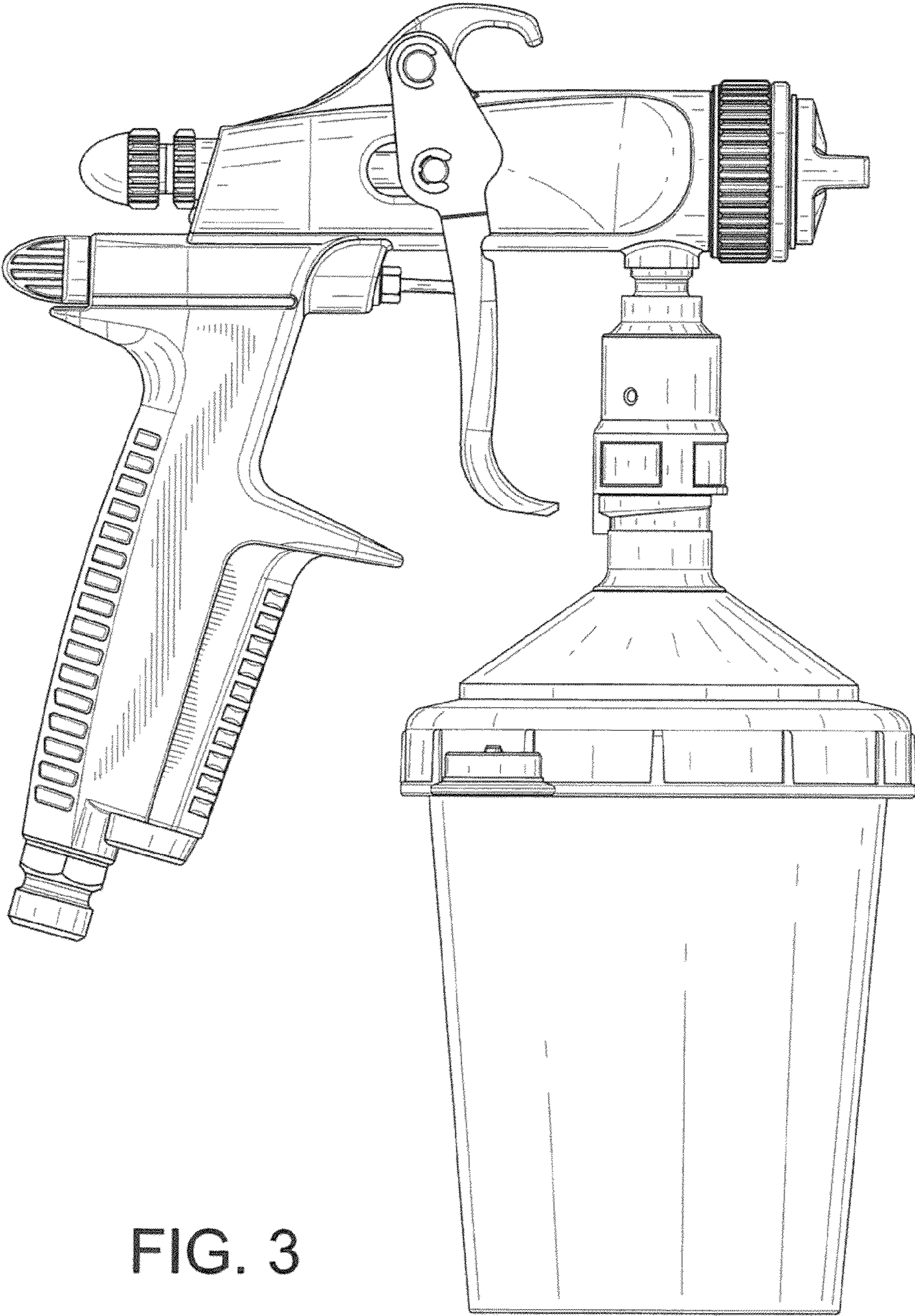


FIG. 3

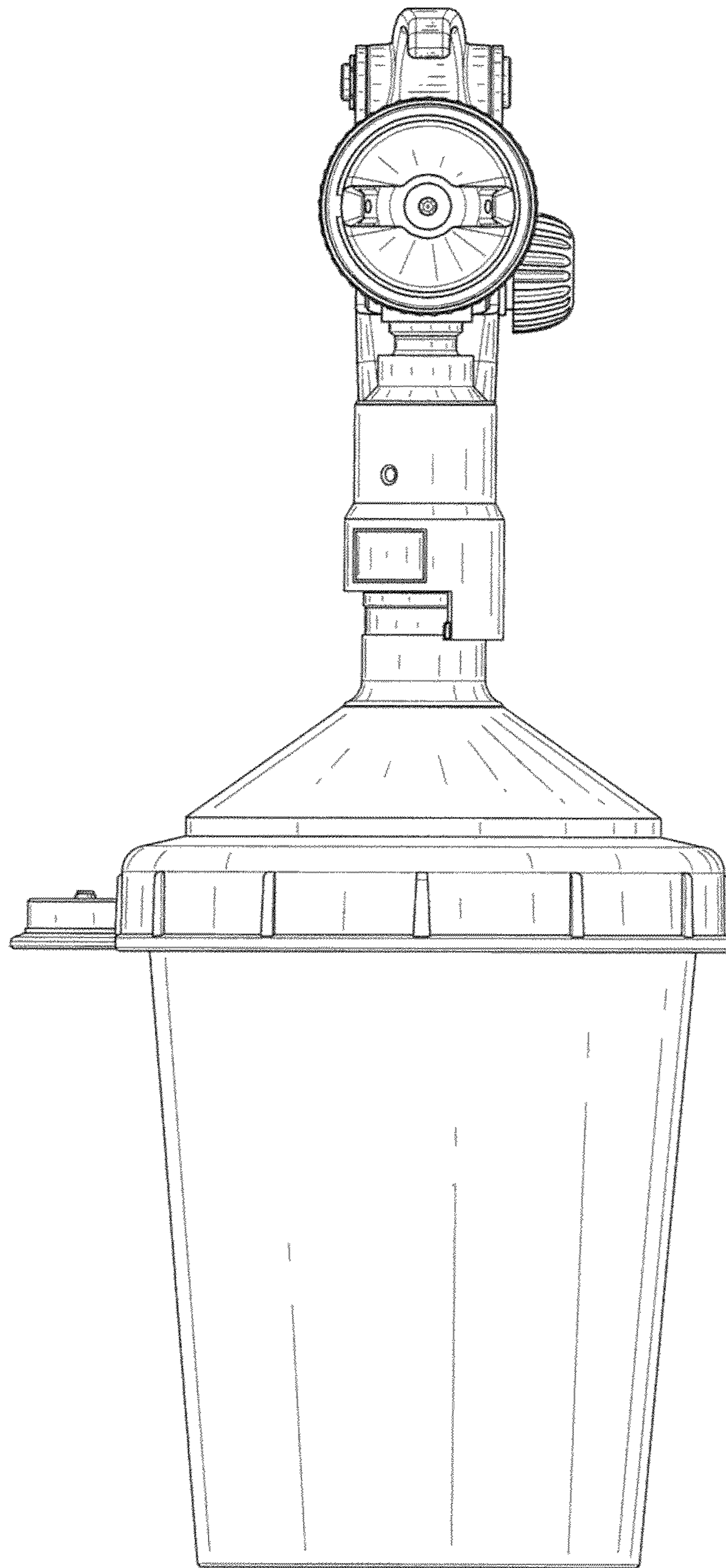


FIG. 4

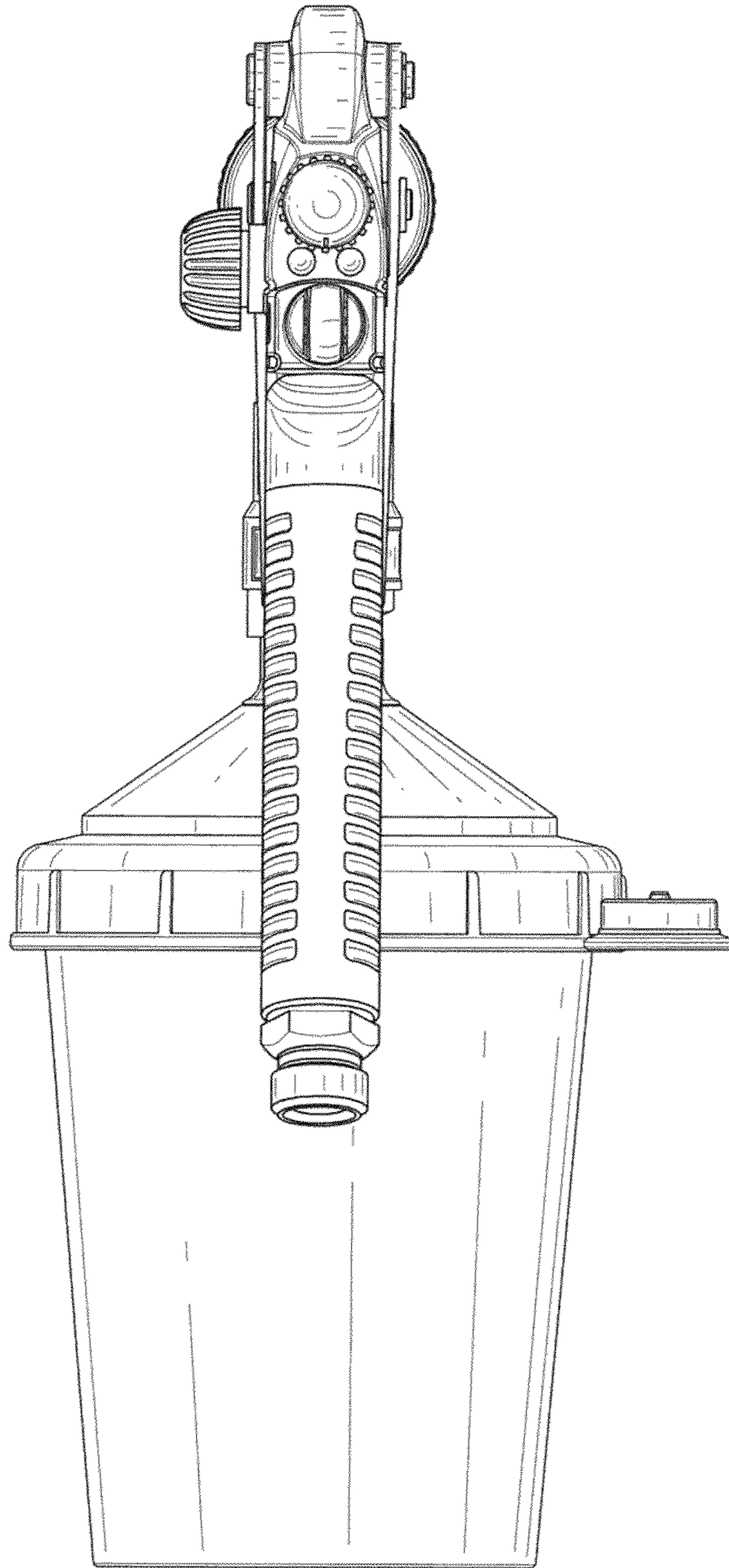


FIG. 5

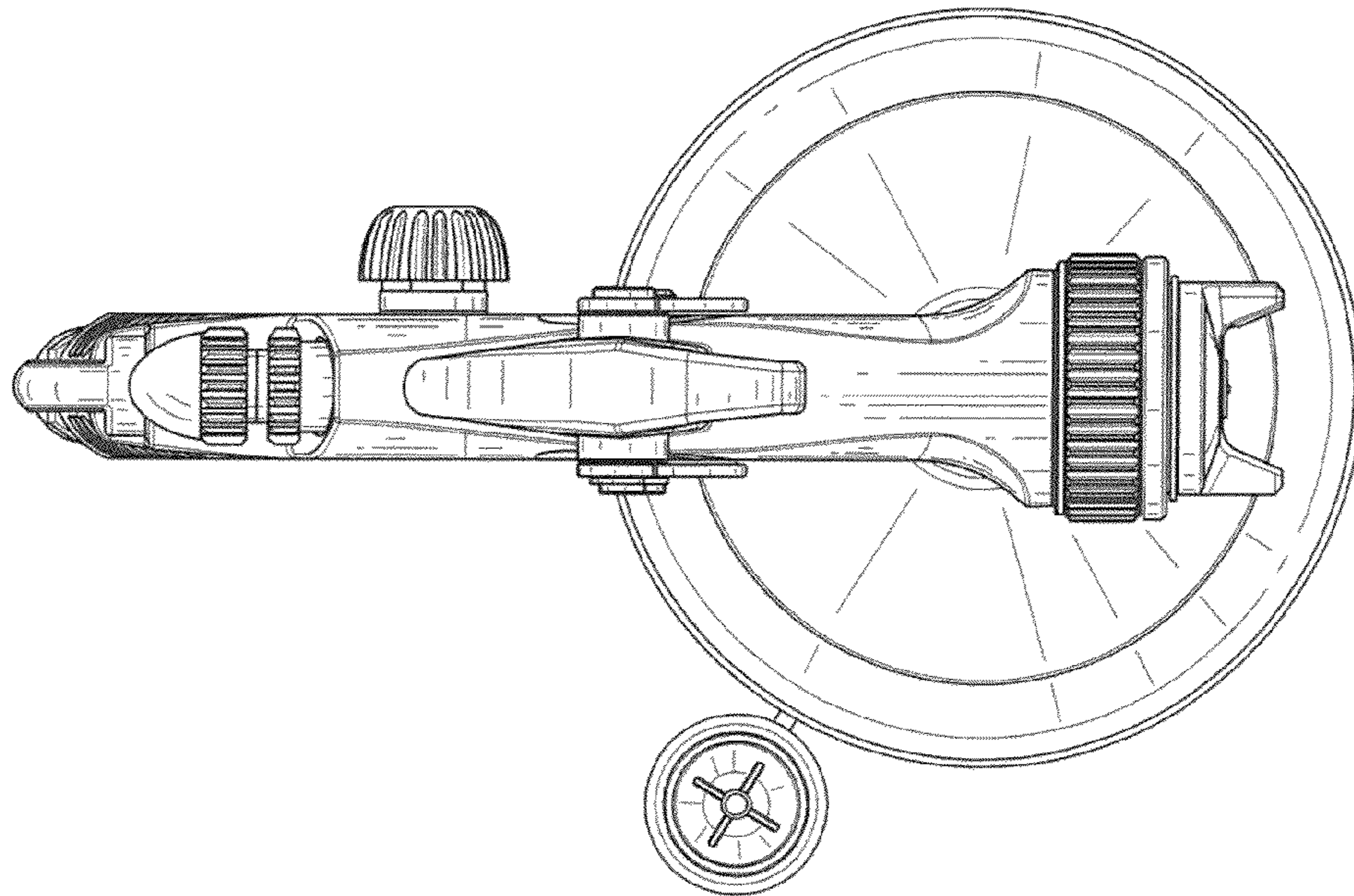


FIG. 6

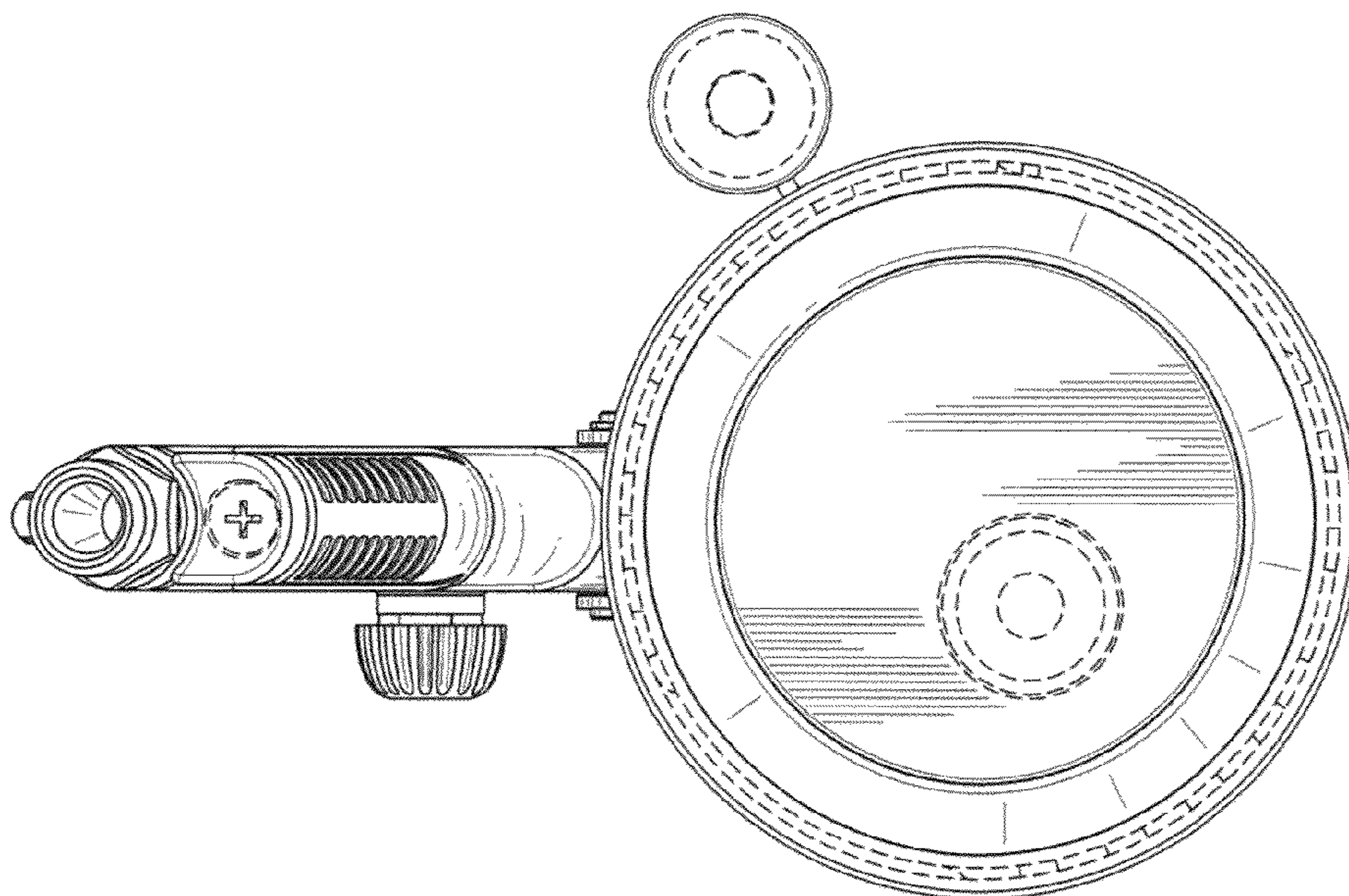


FIG. 7