

US00D697578S

(12) **United States Design Patent**
Ameis

(10) **Patent No.:** **US D697,578 S**
(45) **Date of Patent:** **** Jan. 14, 2014**

- (54) **KNIFE**
- (71) Applicant: **Sharon Ameis**, Arcade, NY (US)
- (72) Inventor: **Sharon Ameis**, Arcade, NY (US)
- (73) Assignee: **The Ontario Knife Company**,
Franklinville, NY (US)

| | | | |
|----------------|--------|----------------|---------|
| 6,848,184 B2 * | 2/2005 | Cheng | 30/155 |
| D561,554 S * | 2/2008 | Taylor | D8/99 |
| 7,774,940 B2 * | 8/2010 | Frank | 30/161 |
| D636,051 S * | 4/2011 | Freeman et al. | D22/118 |
| D636,052 S * | 4/2011 | Freeman et al. | D22/118 |
| D636,053 S * | 4/2011 | Freeman et al. | D22/118 |
| D638,904 S * | 5/2011 | Freeman et al. | D22/118 |
| D639,632 S * | 6/2011 | Freeman et al. | D8/99 |
| D661,367 S * | 6/2012 | Seeds et al. | D22/118 |

(**) Term: **14 Years**

* cited by examiner

(21) Appl. No.: **29/443,268**

Primary Examiner — Susan E Krakower

(22) Filed: **Jan. 15, 2013**

Assistant Examiner — Roselynn Cody

(51) **LOC (10) Cl.** **22-02**

(74) *Attorney, Agent, or Firm* — Katherine H. McGuire,
Esq.; Woods Oviatt Gilman LLP

(52) **U.S. Cl.**
USPC **D22/118**

(57) **CLAIM**

The ornamental design for a knife, as shown and described.

(58) **Field of Classification Search**
USPC D8/7, 12, 19, 20, 95, 97–100, 105, 107;
D22/118; D7/649, 650, 652; 7/118;
30/155, 158–161, 346, 351–352,
30/355–357

DESCRIPTION

FIG. 1 is a right side perspective view of a knife in accordance with the present invention;
 FIG. 2 is a right side elevational view thereof;
 FIG. 3 is a left side elevational view thereof;
 FIG. 4 is a front elevational view thereof as when looking left to right in FIG. 2;
 FIG. 5 is a rear elevational view thereof as when looking right to left in FIG. 2;
 FIG. 6 is a top plan view thereof; and,
 FIG. 7 is a bottom plan view thereof.

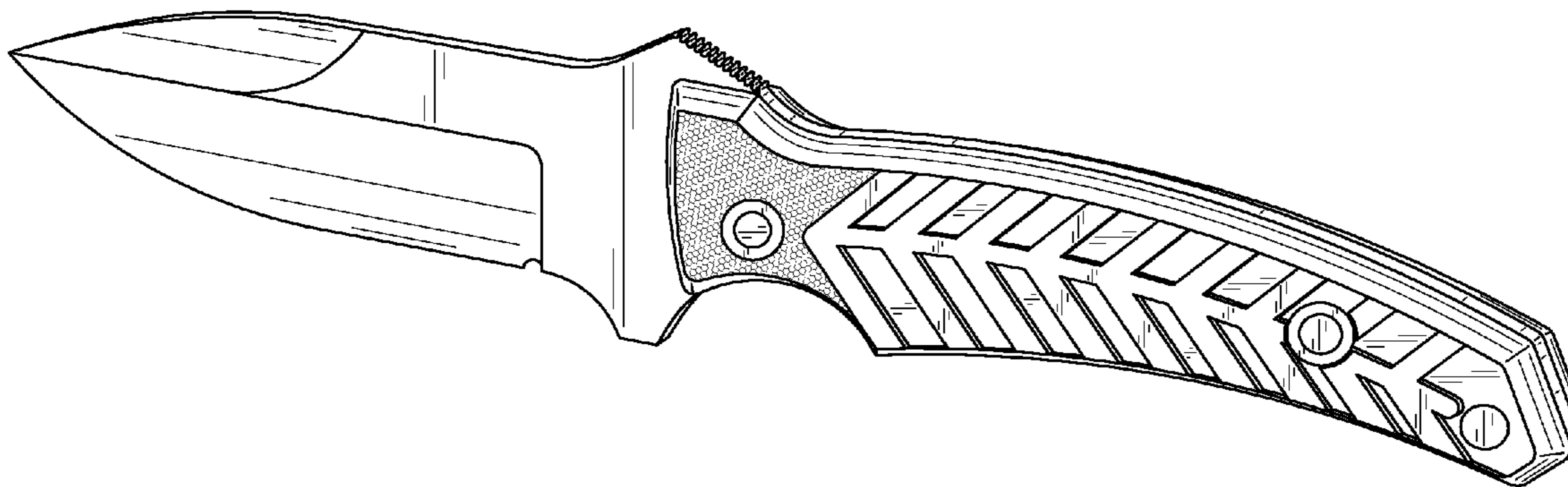
See application file for complete search history.

(56) **References Cited**

U.S. PATENT DOCUMENTS

| | | | |
|--------------|--------|------------------|-------|
| D289,368 S * | 4/1987 | Mann | D8/99 |
| D373,521 S * | 9/1996 | Applegate et al. | D8/99 |
| D379,294 S * | 5/1997 | Lum | D8/99 |
| D422,477 S * | 4/2000 | Elishewitz | D8/99 |
| D427,043 S * | 6/2000 | Cheng | D8/99 |

1 Claim, 5 Drawing Sheets



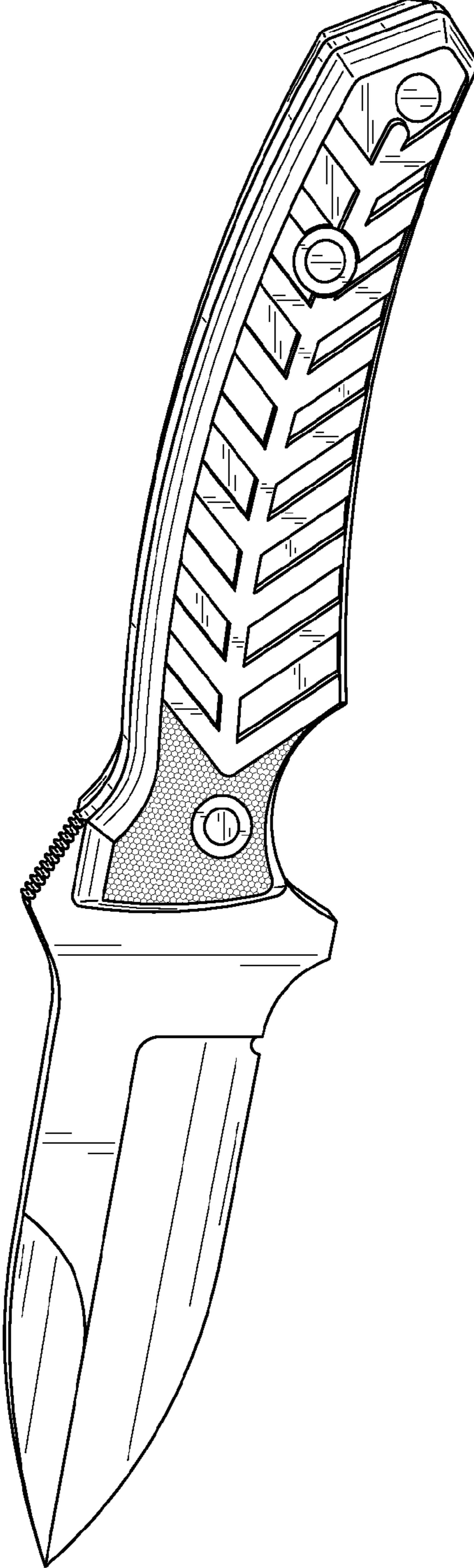


FIG. 1

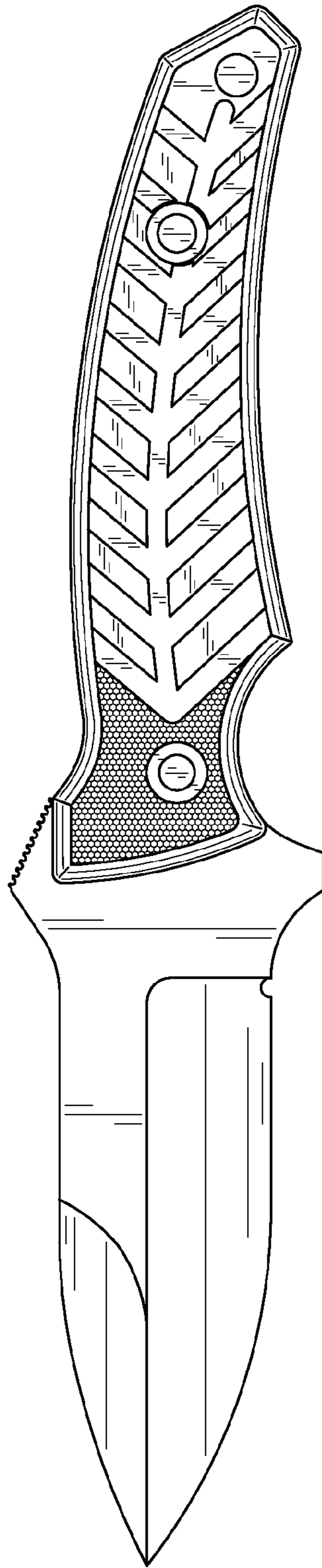


FIG. 2

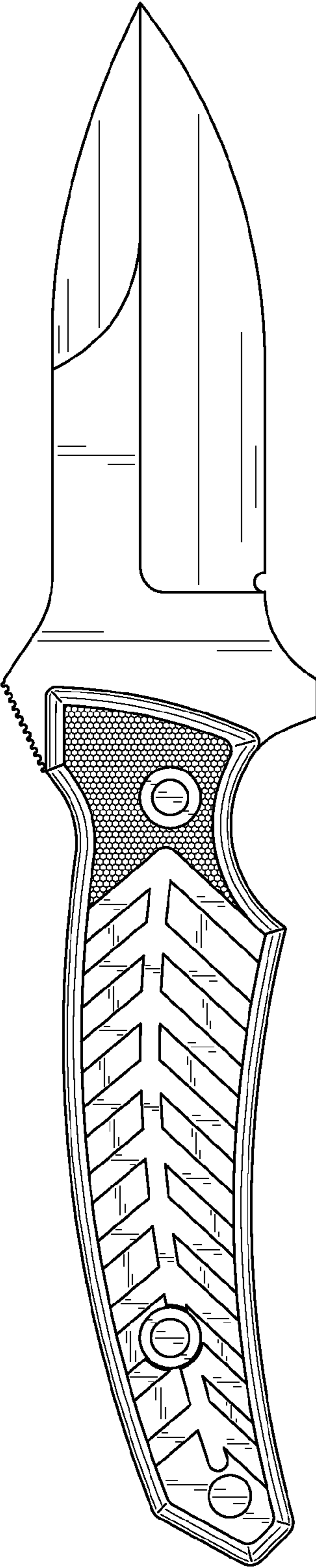


FIG. 3

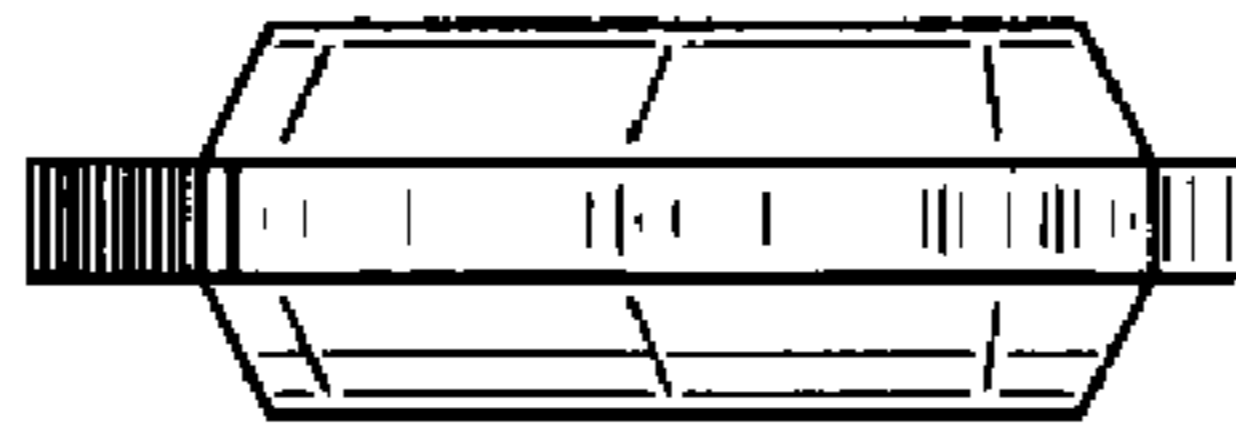


FIG. 5

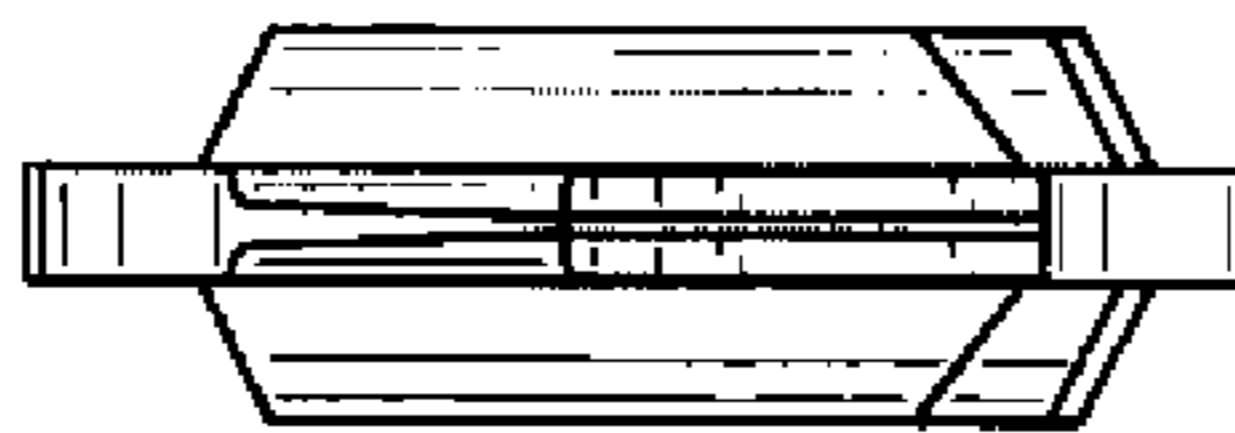


FIG. 4

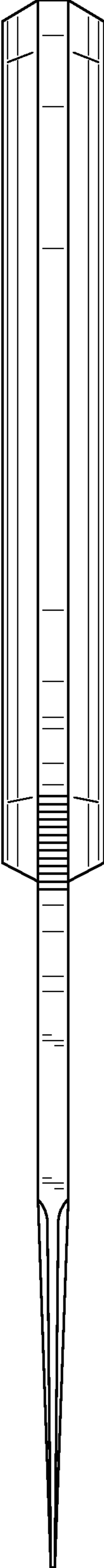


FIG. 6

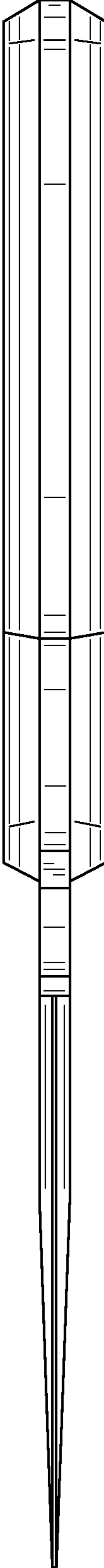


FIG. 7