



US00D697576S

(12) **United States Design Patent**
Swan et al.

(10) **Patent No.:** **US D697,576 S**
(45) **Date of Patent:** **** Jan. 14, 2014**

(54) **TANGENT INTEGRATED TILT SIGHT**

(71) Applicants: **Richard Swan**, E. Bridgewater, MA (US); **Brian Tonello**, Halifax, MA (US); **Brian Fraser-Swan**, East Bridgewater, MA (US)

(72) Inventors: **Richard Swan**, E. Bridgewater, MA (US); **Brian Tonello**, Halifax, MA (US); **Brian Fraser-Swan**, East Bridgewater, MA (US)

(**) Term: **14 Years**

(21) Appl. No.: **29/453,776**

(22) Filed: **May 2, 2013**

(51) **LOC (10) Cl.** **22-01**

(52) **U.S. Cl.**
USPC **D22/109**

(58) **Field of Classification Search**
USPC D22/108-109; 42/111-128; 89/1.61, 89/200-204

See application file for complete search history.

(56) **References Cited**

U.S. PATENT DOCUMENTS

5,276,988	A *	1/1994	Swan	42/127
7,367,152	B2	5/2008	Samson		
D588,672	S *	3/2009	Swan	D22/109
7,614,175	B2 *	11/2009	Davis et al.	42/127
7,730,655	B2 *	6/2010	Spuhr	42/127

7,757,422	B1 *	7/2010	Swan	42/96
7,802,395	B1 *	9/2010	Swan	42/127
7,908,782	B1	3/2011	LaRue		
D637,260	S *	5/2011	Swan	D22/109
2006/0162227	A1 *	7/2006	Samson	42/148
2013/0036650	A1 *	2/2013	Larue	42/148
2013/0160345	A1 *	6/2013	Li et al.	42/124

* cited by examiner

Primary Examiner — Michael A Pratt

(74) *Attorney, Agent, or Firm* — Lambert & Associates; Gary E. Lambert; David J. Connaughton, Jr.

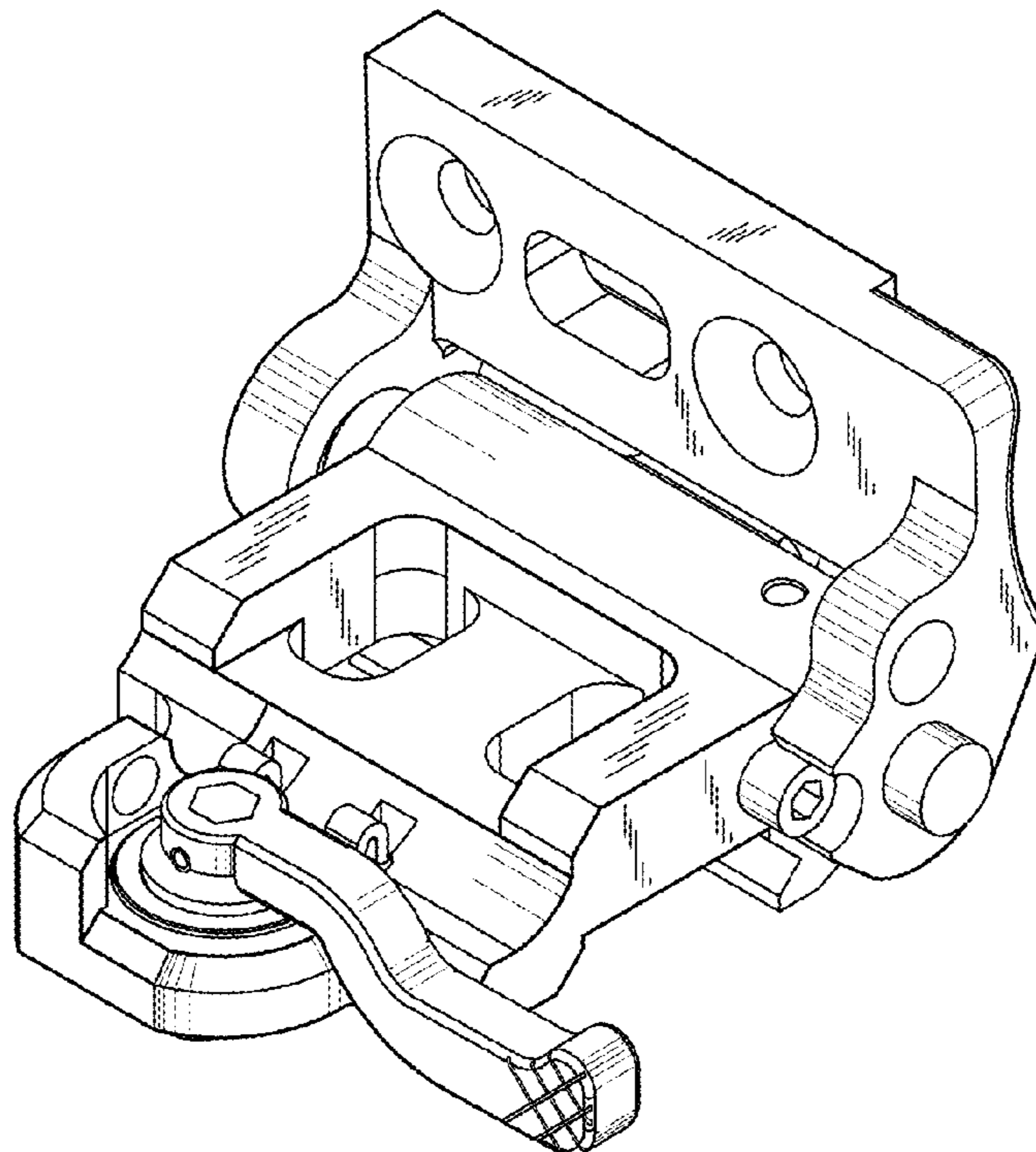
(57) **CLAIM**

The ornamental design for a tangent integrated tilt sight, as shown and described.

DESCRIPTION

FIG. 1 is a perspective front view of the tangent integrated tilt sight in an open position, which embodies my design;
 FIG. 2 is a perspective rear view of the tangent integrated tilt sight in an open position;
 FIG. 3 is a perspective front view of the tangent integrated tilt sight in a closed position;
 FIG. 4 is a perspective rear view of the tangent integrated tilt sight in a closed position;
 FIG. 5 is a bottom view of the tangent integrated tilt sight;
 FIG. 6 is a top side view of the tangent integrated tilt sight;
 FIG. 7 is a front view of the tangent integrated tilt sight;
 FIG. 8 is a rear view of the tangent integrated tilt sight;
 FIG. 9 is left side view of the tangent integrated tilt sight; and,
 FIG. 10 is a right side view of the tangent integrated tilt sight.

1 Claim, 4 Drawing Sheets



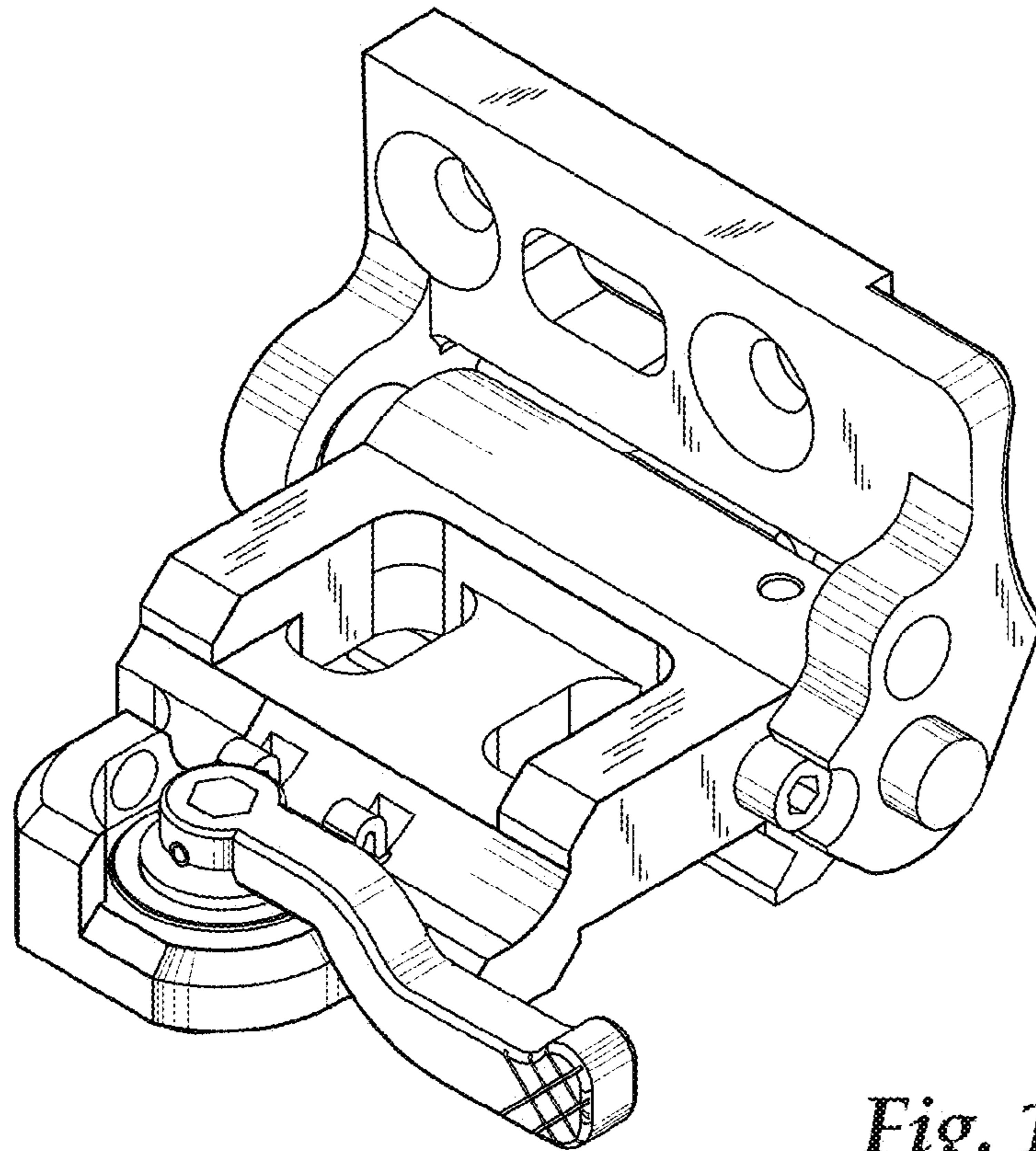


Fig. 1

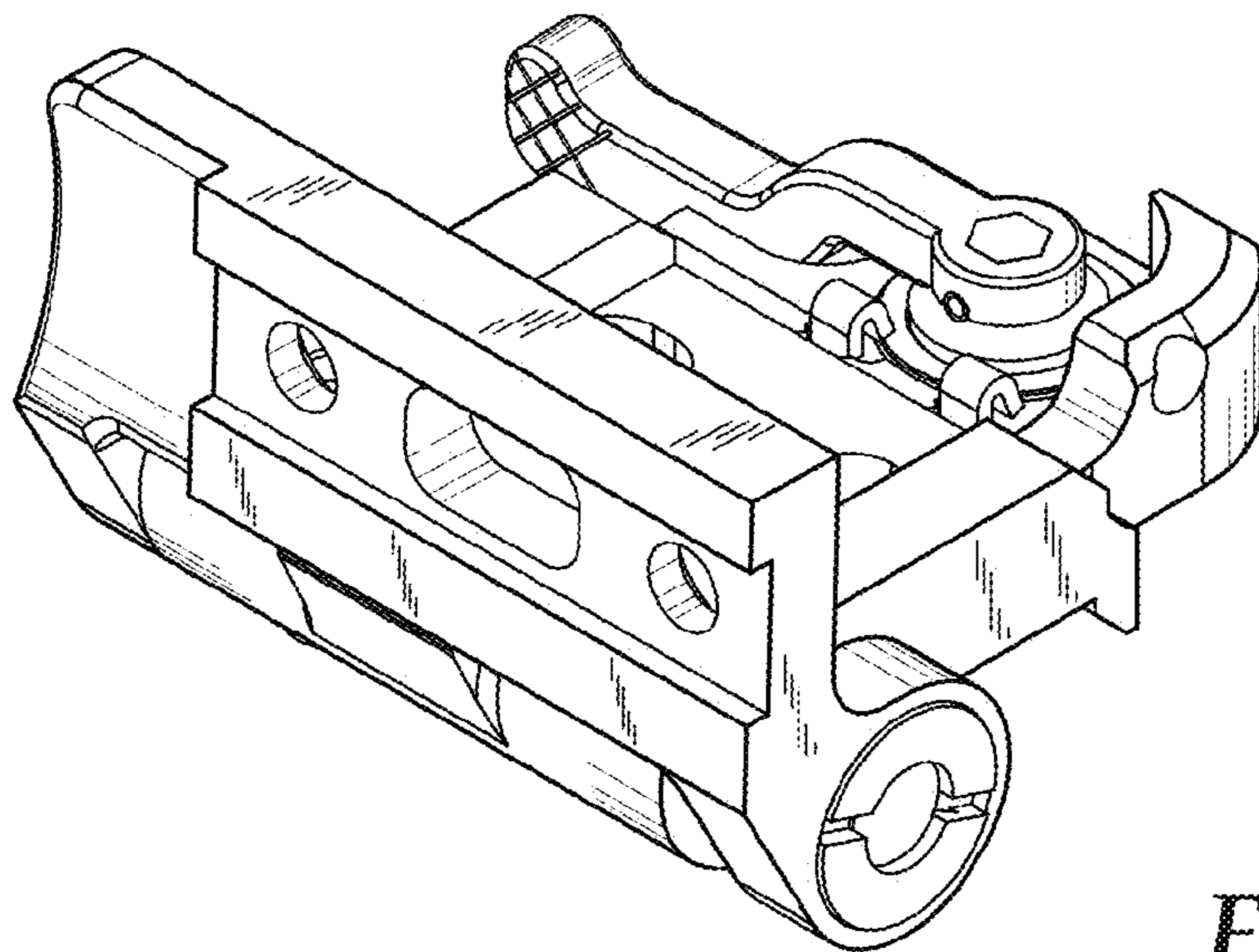


Fig. 2

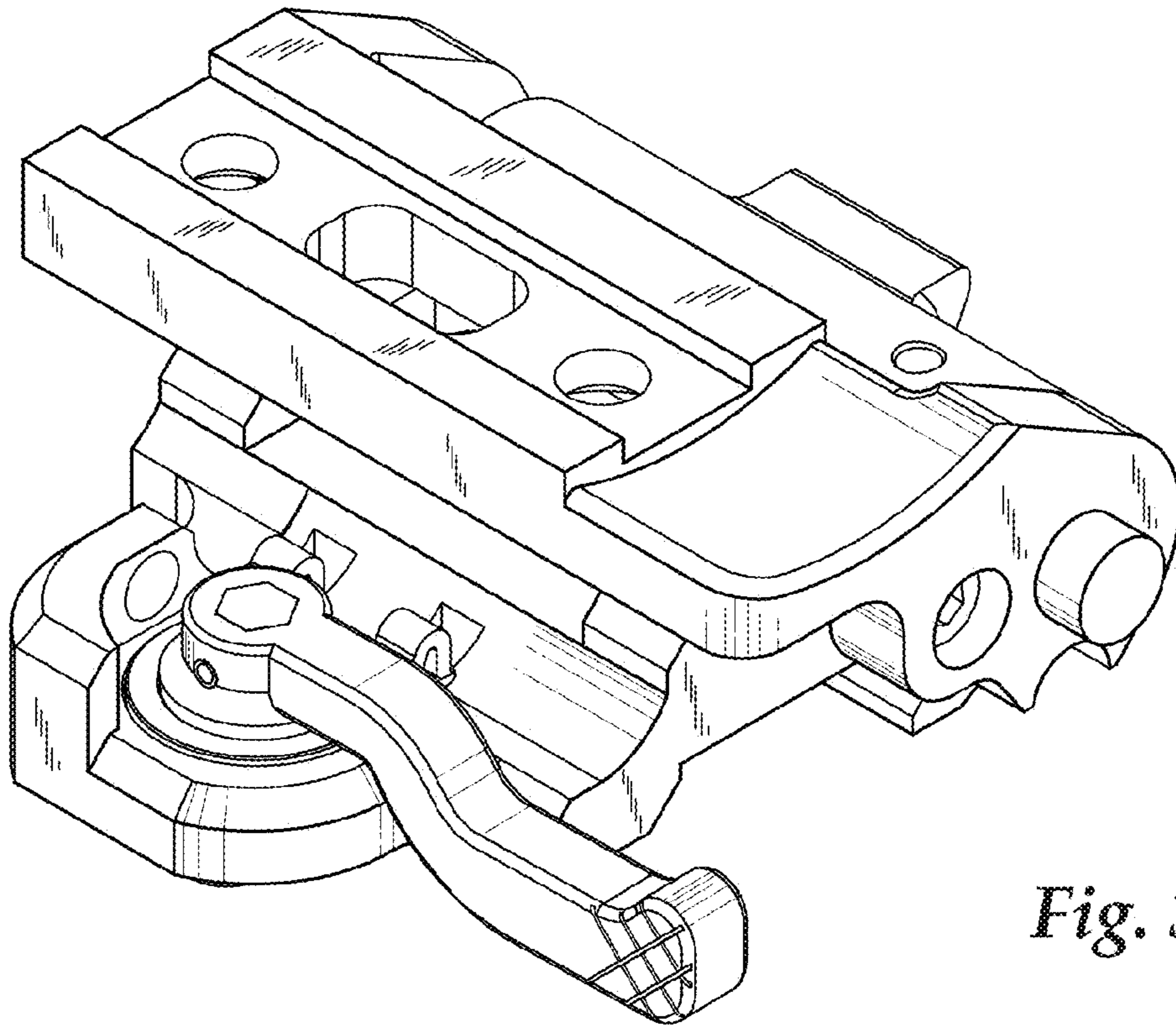


Fig. 3

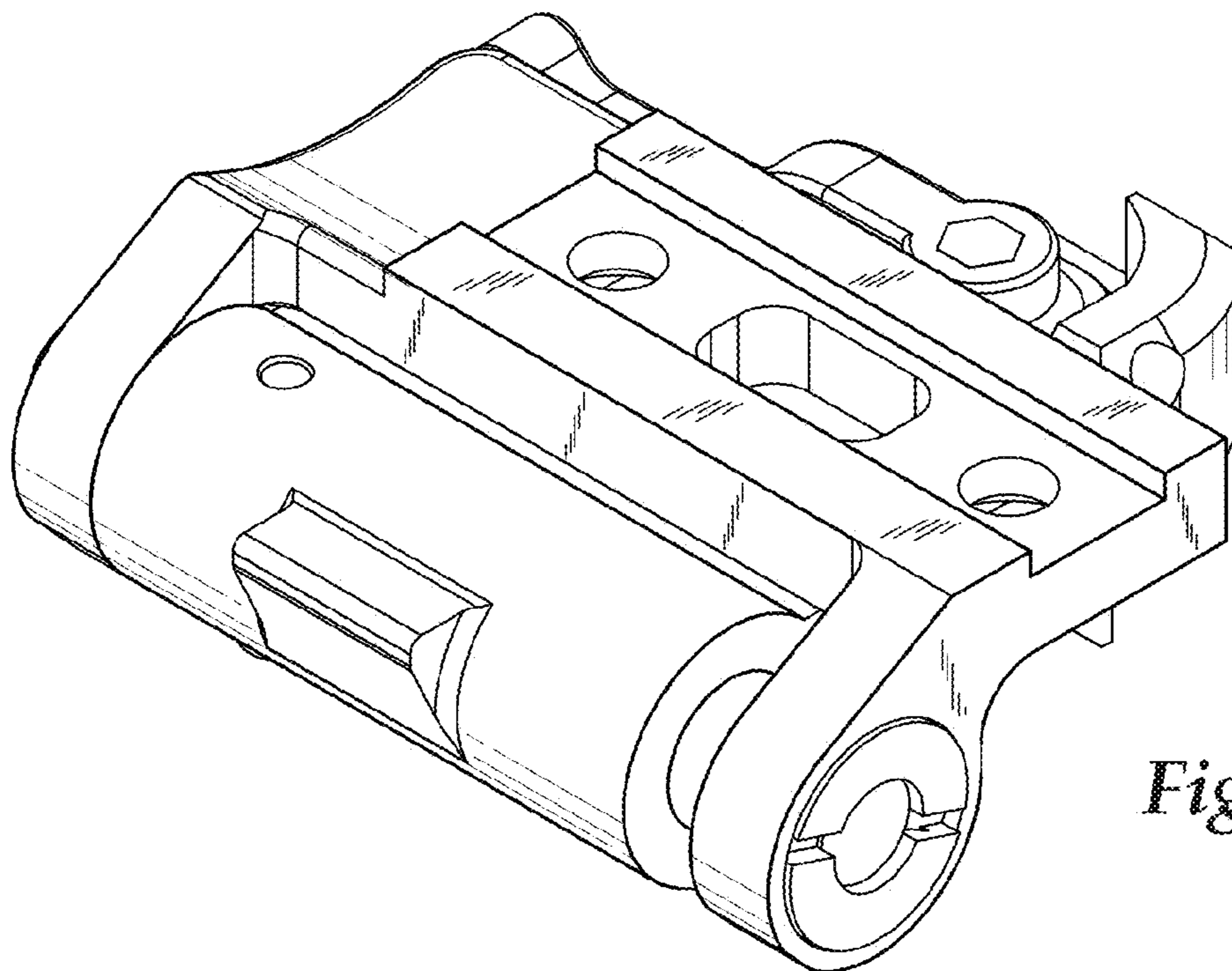


Fig. 4

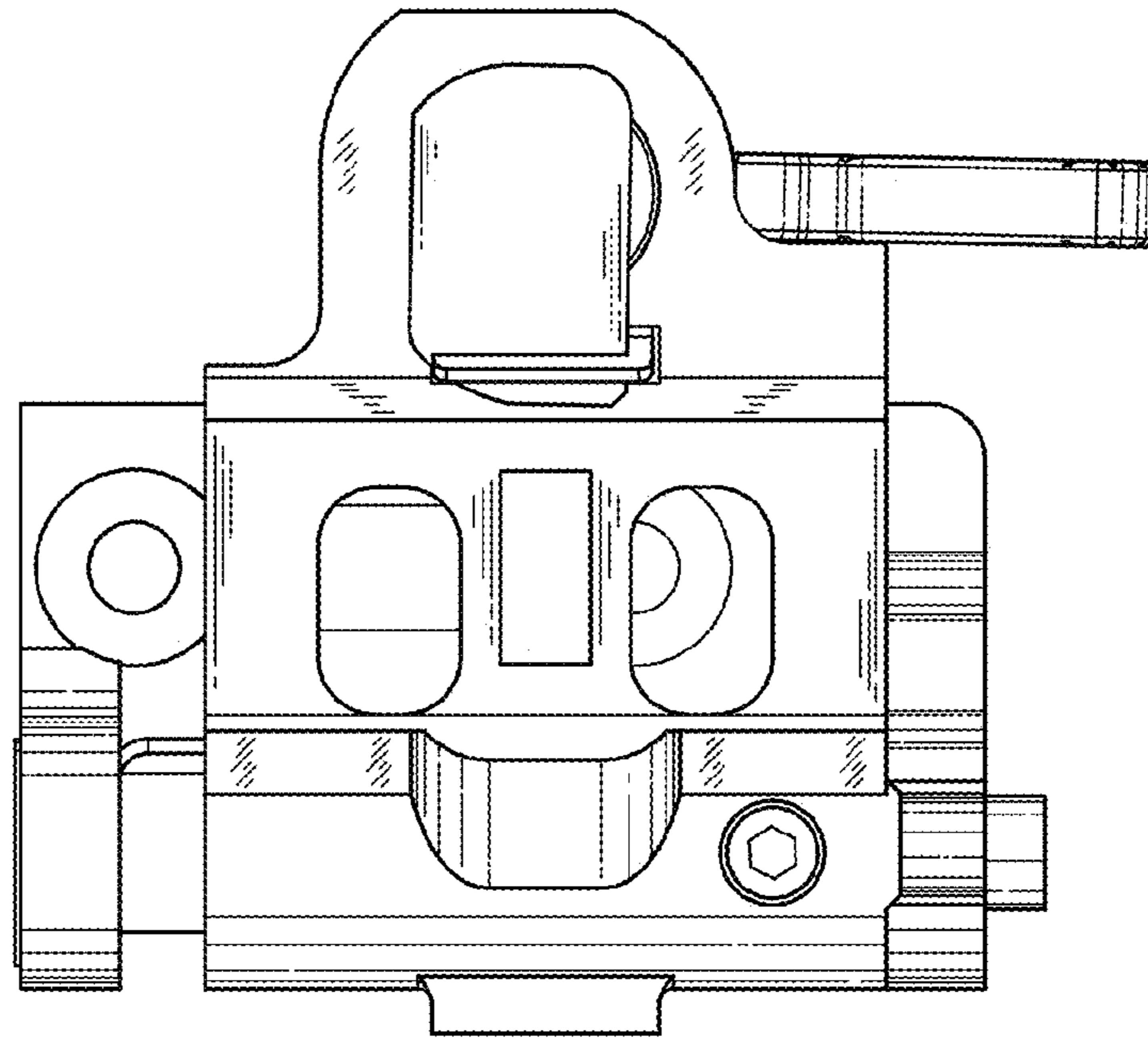


Fig. 5

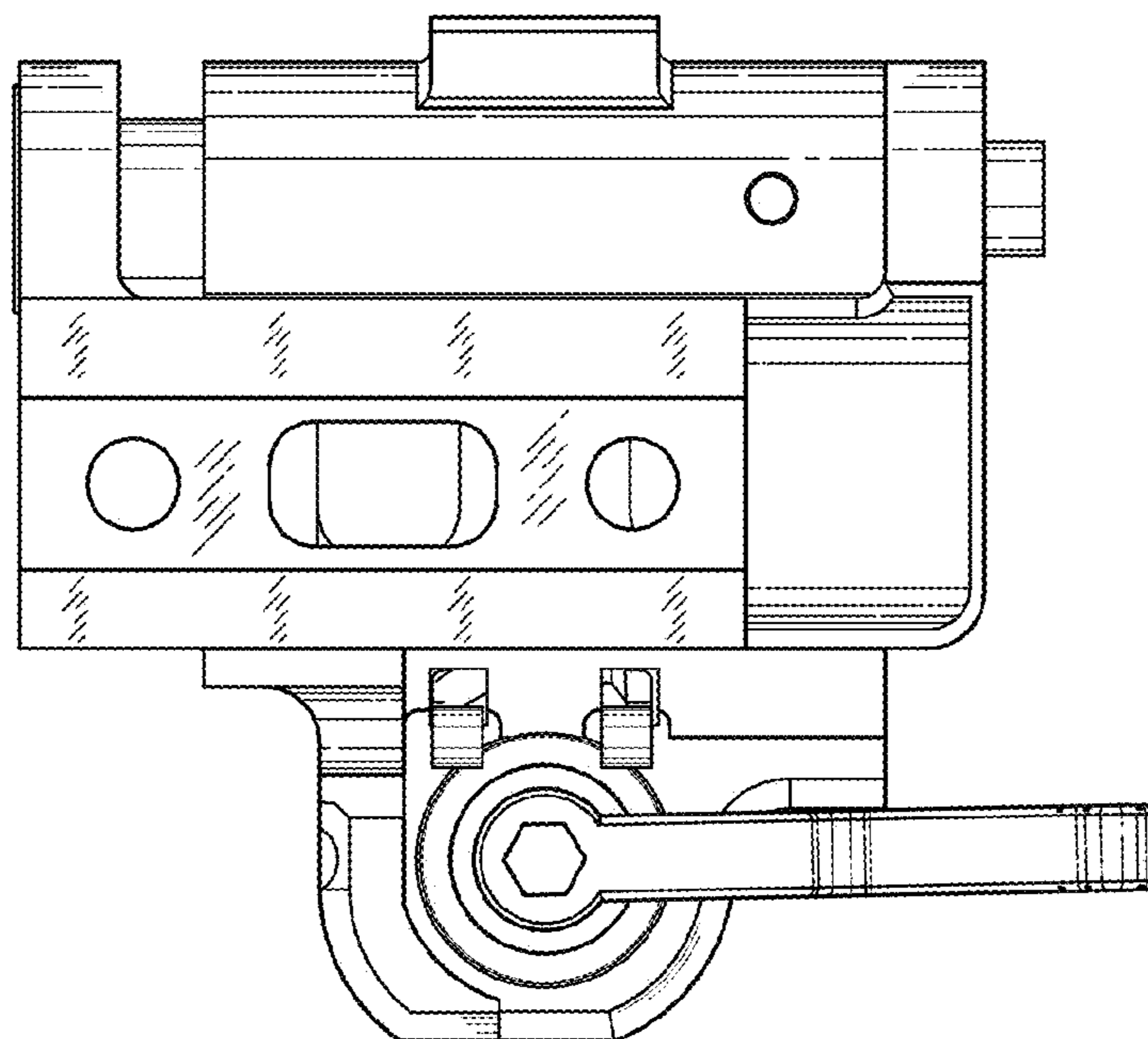


Fig. 6

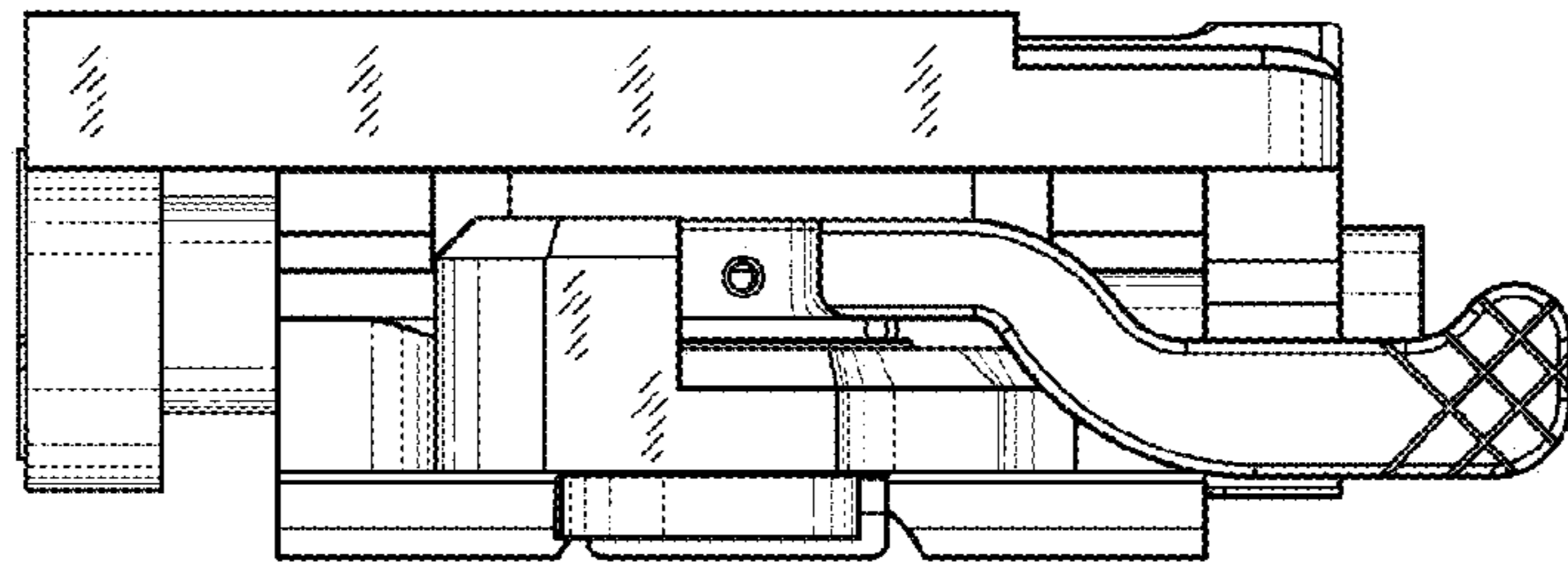


Fig. 7

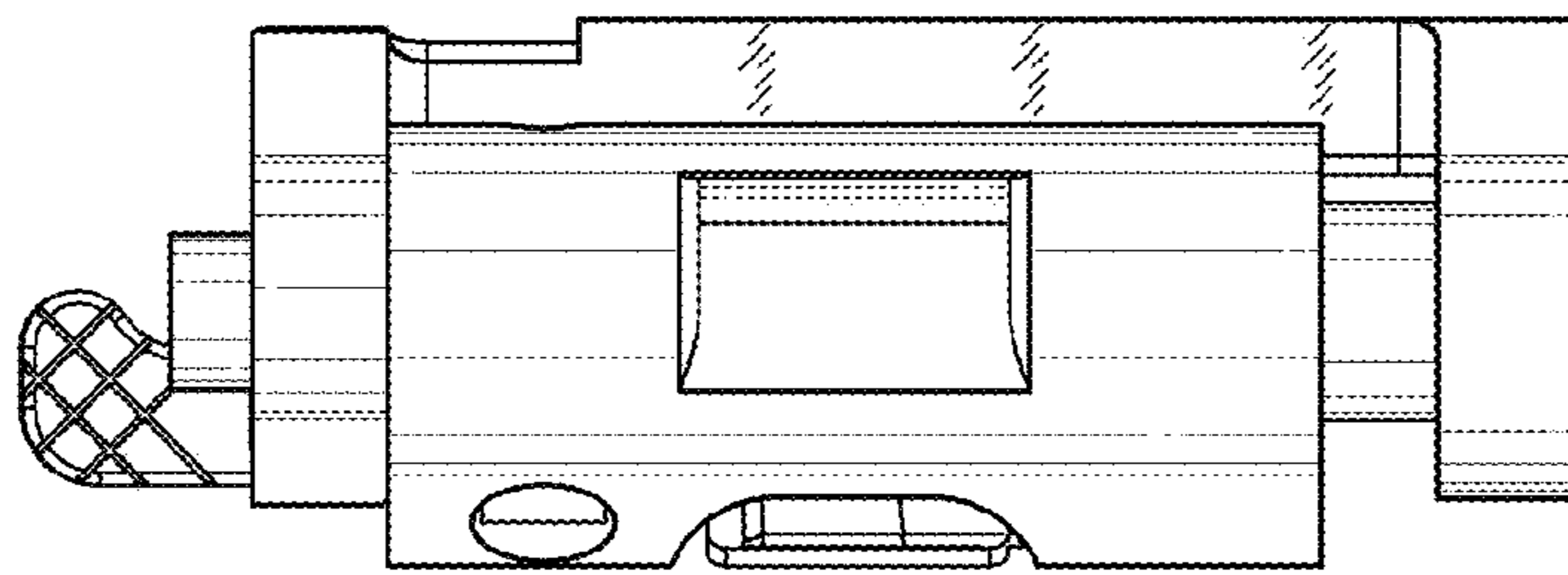


Fig. 8

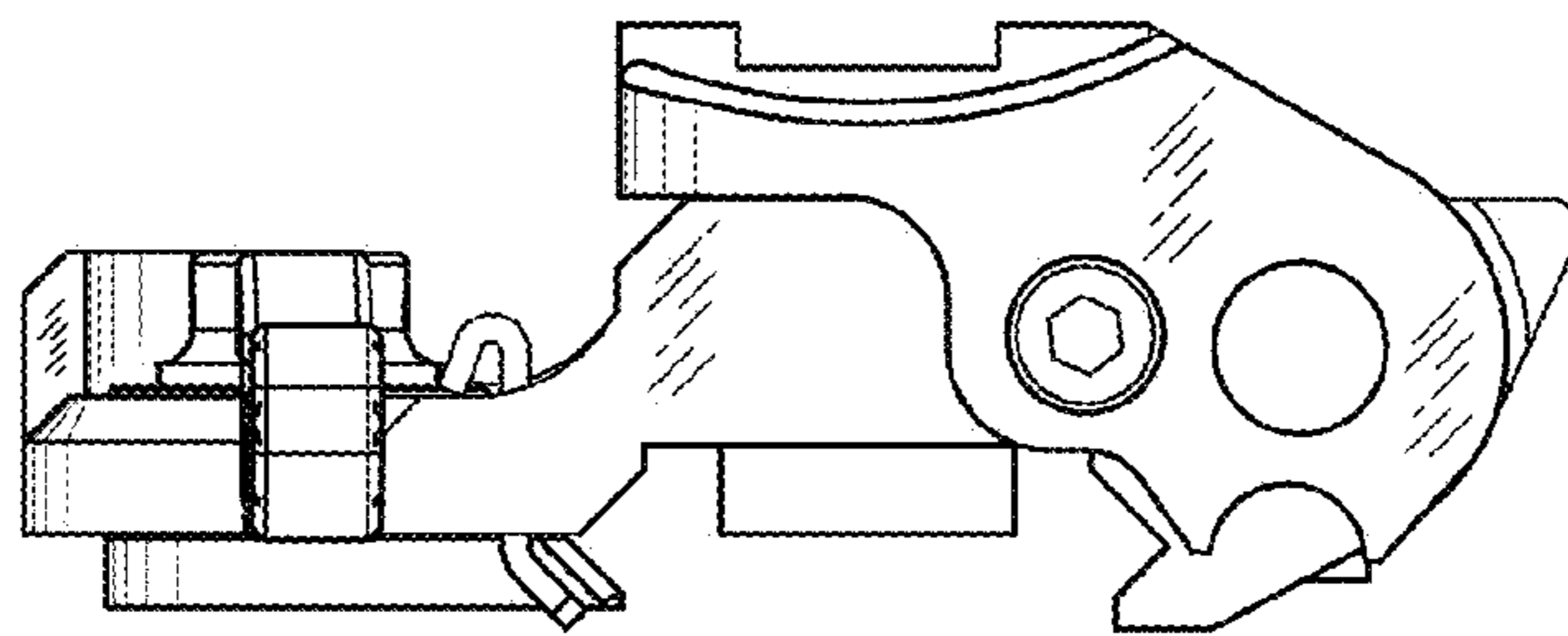


Fig. 9

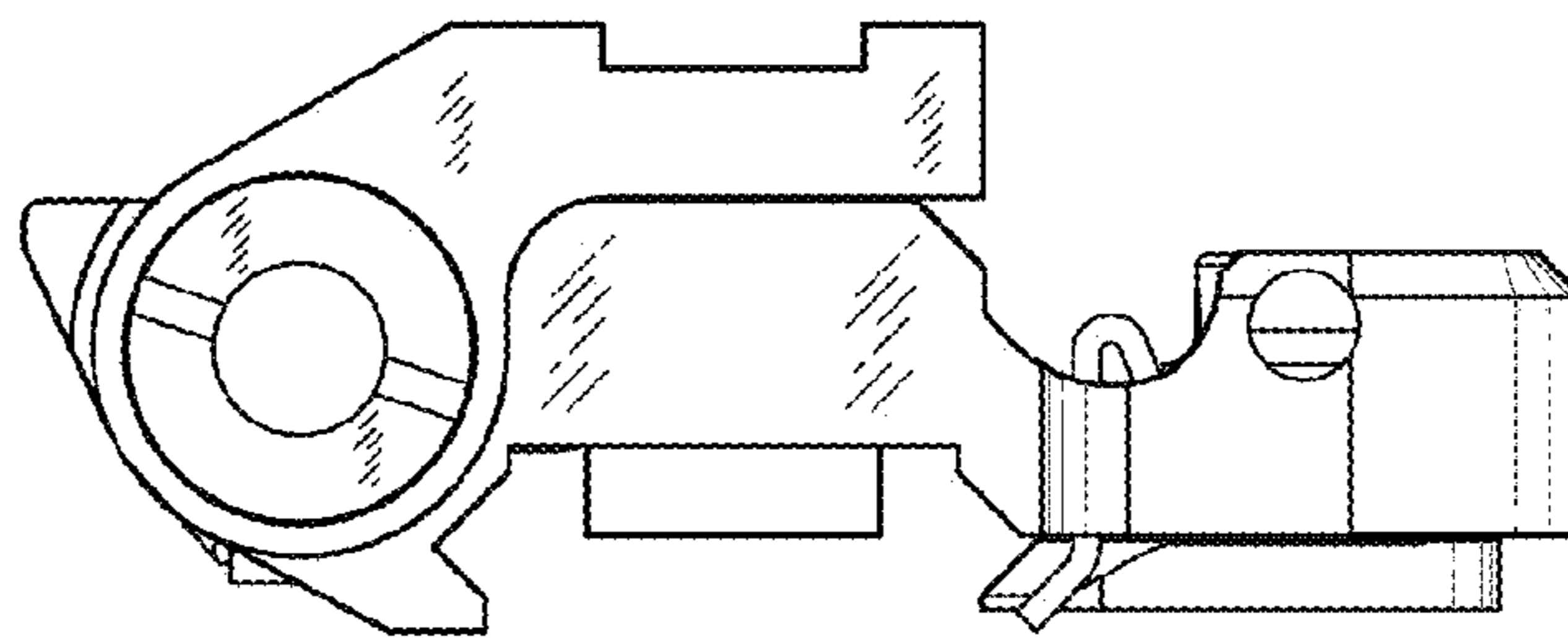


Fig. 10