

US00D697572S

(12) **United States Design Patent**
Martin

(10) **Patent No.:** **US D697,572 S**
(45) **Date of Patent:** **** Jan. 14, 2014**

(54) **PLAYGROUND EQUIPMENT**

(71) Applicant: **Richard Martin**, Cumberland (CA)

(72) Inventor: **Richard Martin**, Cumberland (CA)

(**) Term: **14 Years**

(21) Appl. No.: **29/439,462**

(22) Filed: **Dec. 11, 2012**

(51) **LOC (10) Cl.** **21-03**

(52) **U.S. Cl.**
USPC **D21/830**

(58) **Field of Classification Search**
USPC D21/811, 814, 830; 482/35, 36;
472/14-26, 29, 33
See application file for complete search history.

(56) **References Cited**

U.S. PATENT DOCUMENTS

D177,769	S	*	5/1956	Smoker	D21/830
3,018,101	A	*	1/1962	Mir et al.	D21/830
D216,404	S	*	12/1969	Froehlich	D21/830
D244,044	S	*	4/1977	Ahrens	D21/830
D249,081	S	*	8/1978	Zick	D21/830

D334,788	S	*	4/1993	Blankenagel	D21/830
D462,411	S	*	9/2002	Paas	D21/830
D499,163	S	*	11/2004	Stephens et al.	D21/830
D589,111	S	*	3/2009	Stephens et al.	D21/830

* cited by examiner

Primary Examiner — Mitchell Siegel

(74) *Attorney, Agent, or Firm* — Gardner Gross Greenwald & Villanueva, PC

(57) **CLAIM**

The ornamental design for playground equipment, substantially as shown and described.

DESCRIPTION

FIG. 1 is a perspective view of playground equipment according to the design.

FIG. 2 is a front view of playground equipment of FIG. 1.

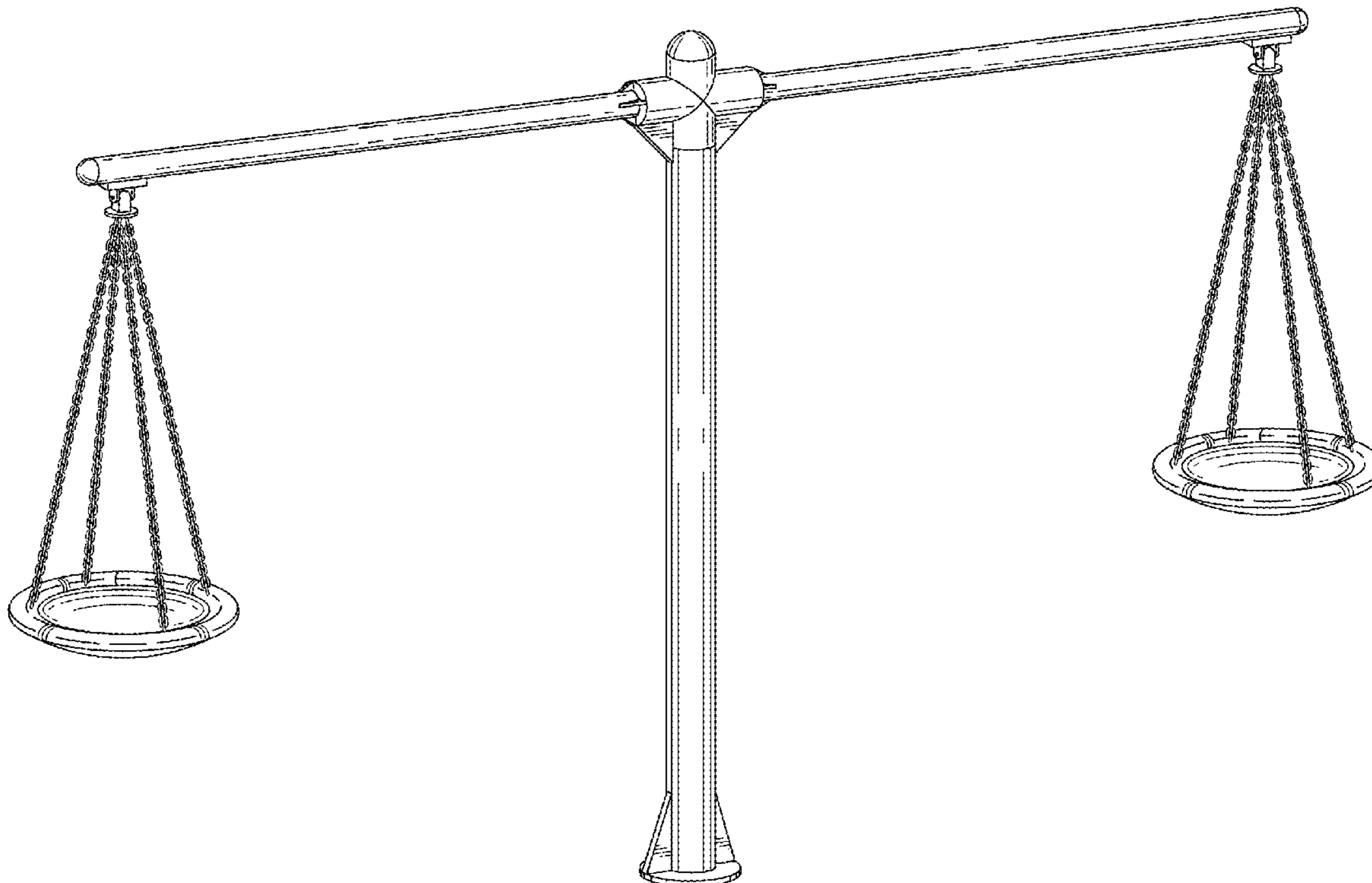
FIG. 3 is a back view of playground equipment of FIG. 1.

FIG. 4 is a first side view of playground equipment of FIG. 1.

FIG. 5 is a second side view of playground equipment of FIG. 1.

FIG. 6 is a top view of playground equipment of FIG. 1; and, FIG. 7 is a bottom view of playground equipment of FIG. 1.

1 Claim, 5 Drawing Sheets



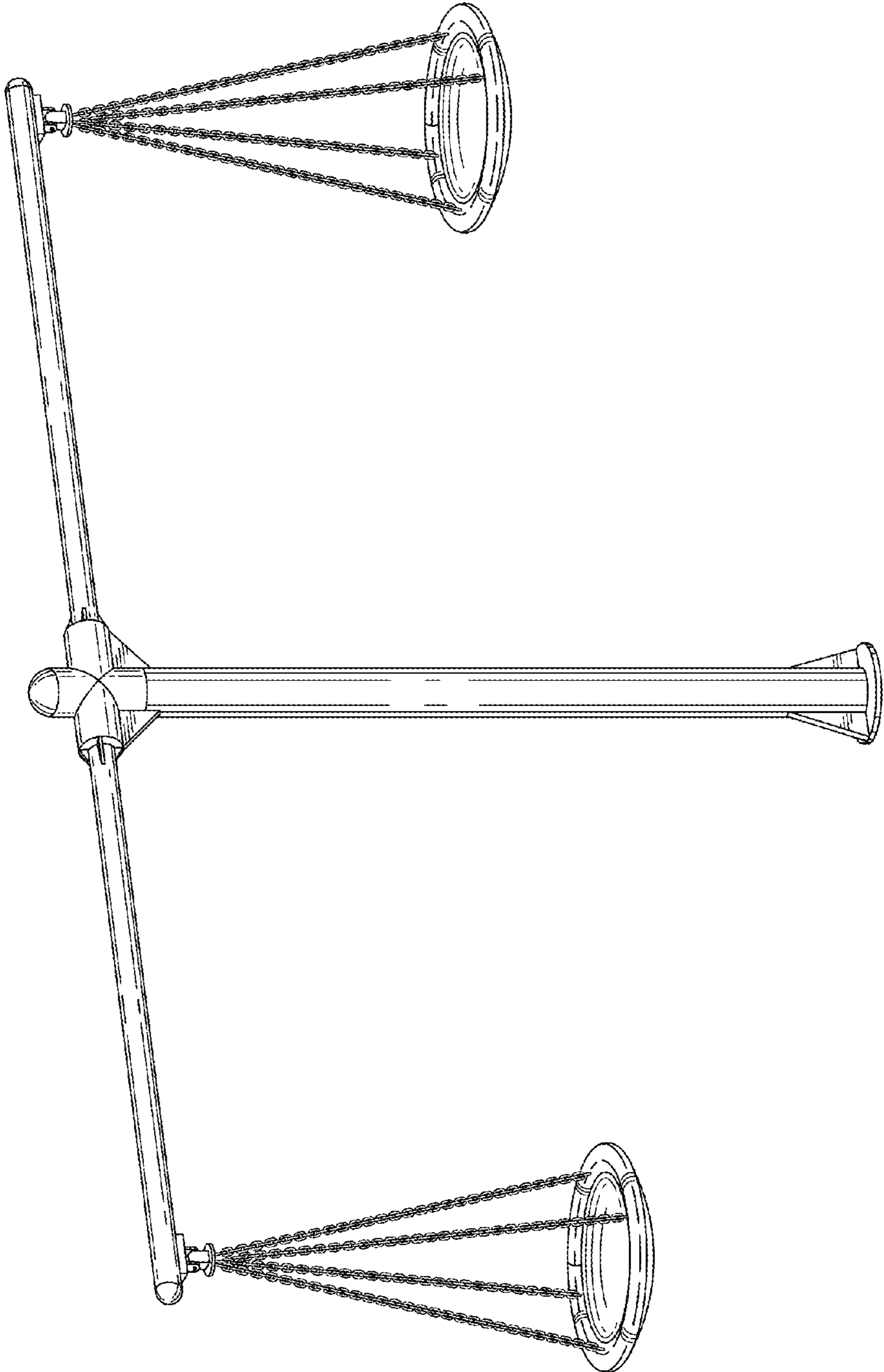


FIG. 1

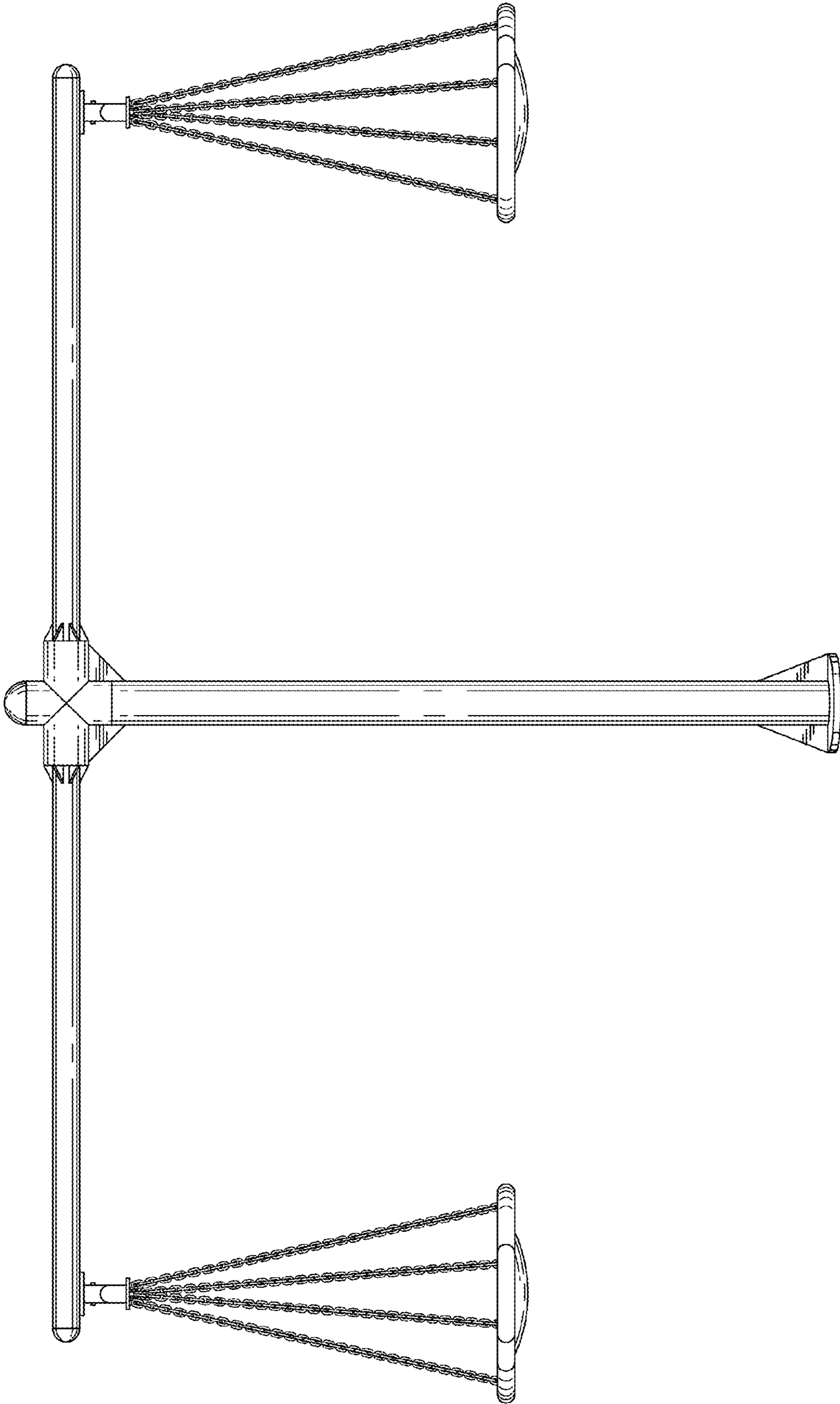


FIG. 2

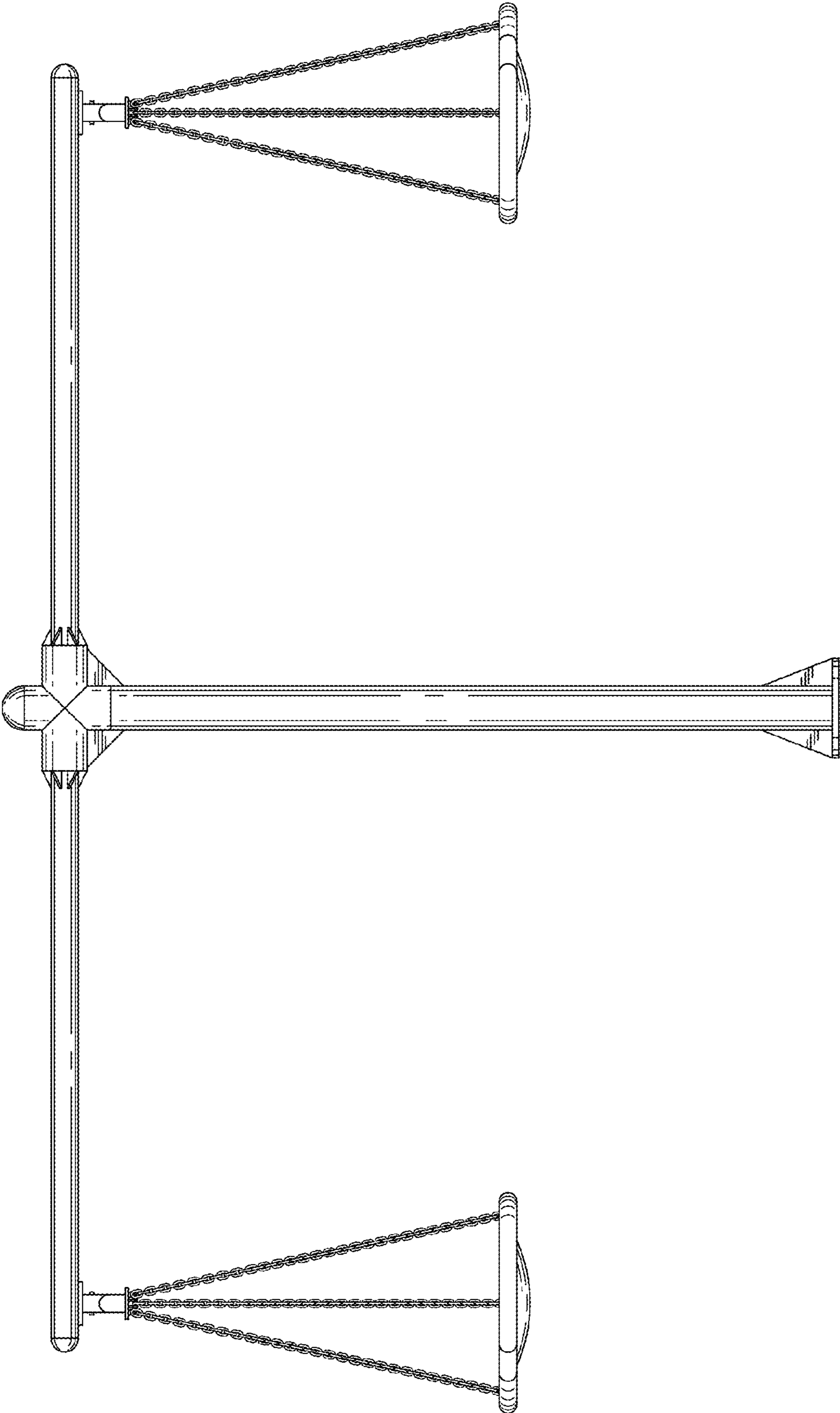


FIG. 3

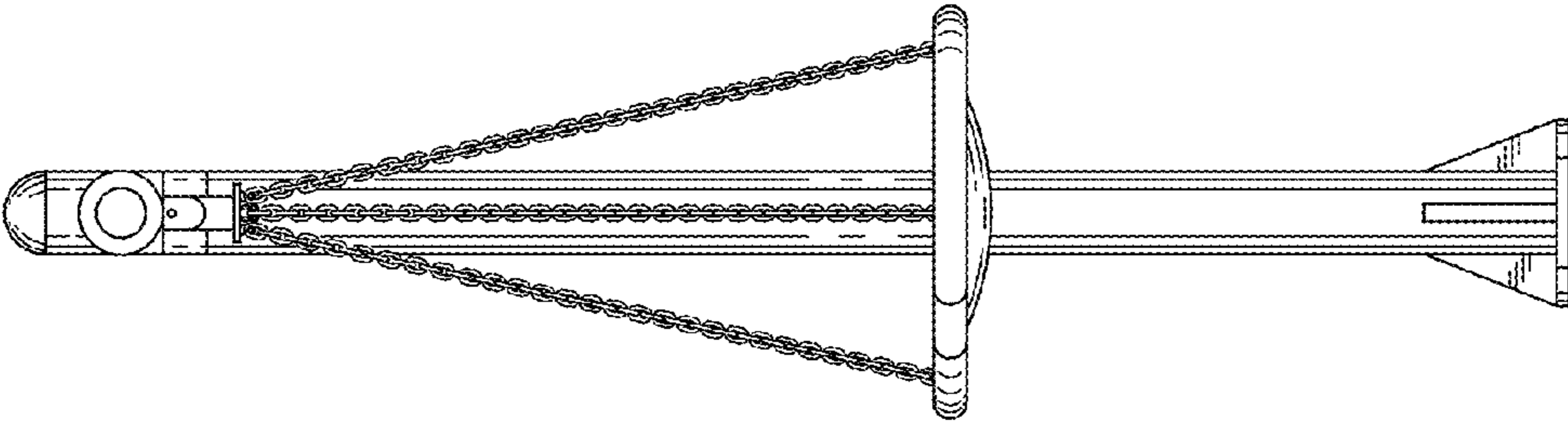


FIG. 5

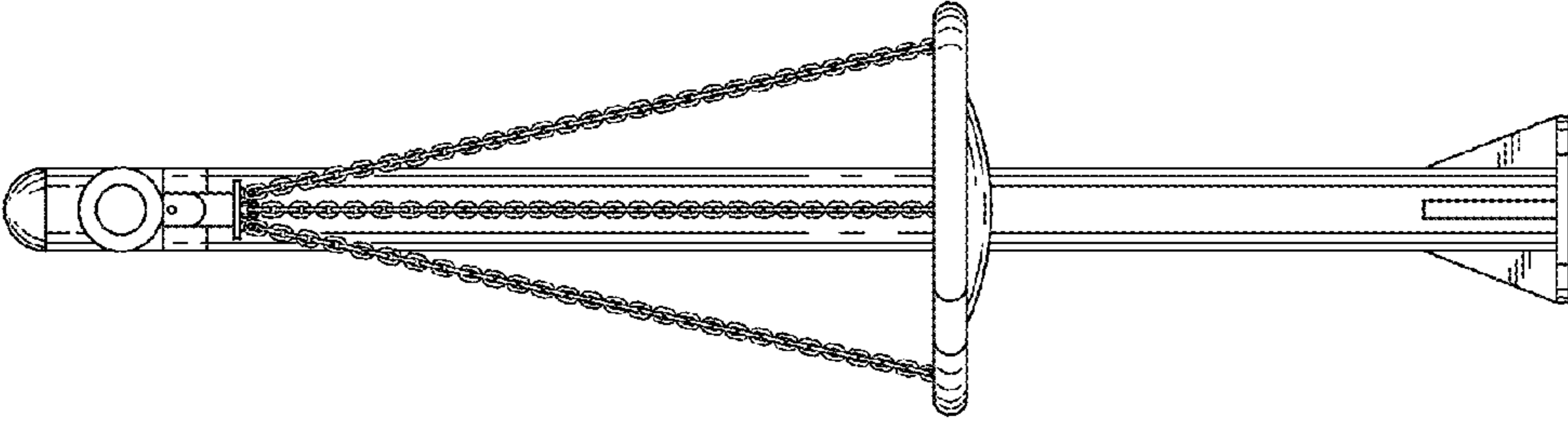


FIG. 4

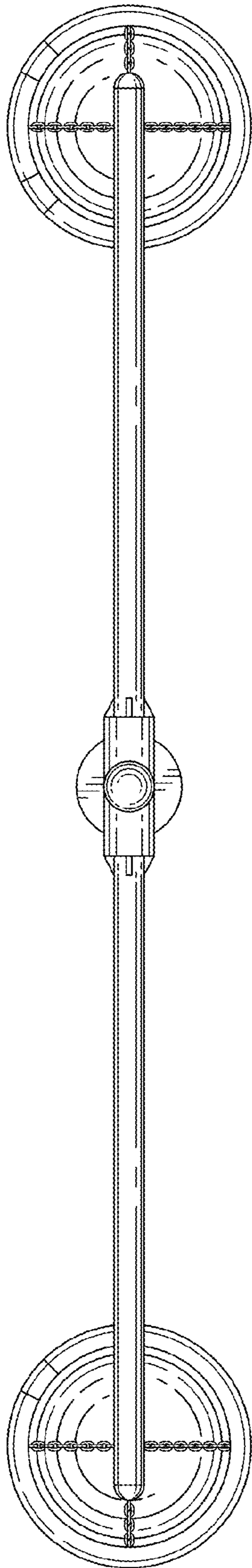


FIG. 6

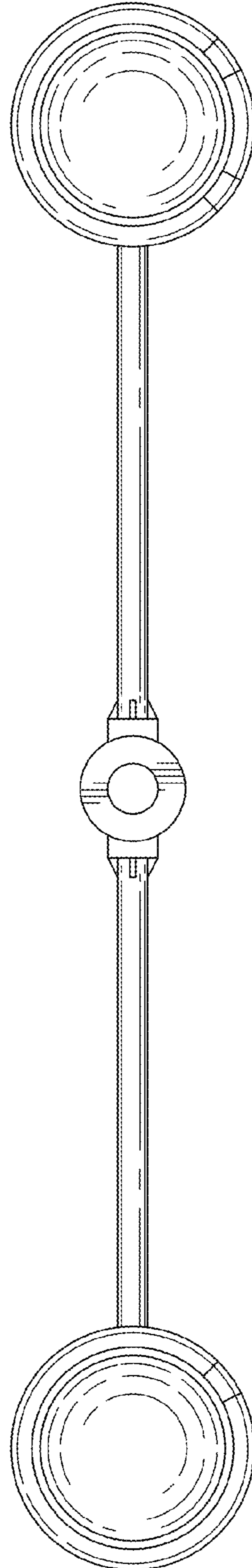


FIG. 7