



US00D697571S

(12) **United States Design Patent**
Altindag

(10) **Patent No.:** **US D697,571 S**
(45) **Date of Patent:** **** Jan. 14, 2014**

(54) **WATER PARK UNIT**

(71) Applicant: **Baris Cetin Altindag**, Gebze/Kocaeli (TR)

(72) Inventor: **Baris Cetin Altindag**, Gebze/Kocaeli (TR)

(73) Assignee: **Polin Su Parklari Ve Havuz Sistemleri Anonim Sirketi**, Gebze/Kocaeli (TR)

(**) Term: **14 Years**

(21) Appl. No.: **29/438,249**

(22) Filed: **Nov. 28, 2012**

(30) **Foreign Application Priority Data**

May 30, 2012 (TR) 2012 03767

(51) **LOC (10) Cl.** **21-06**

(52) **U.S. Cl.**
USPC **D21/819**

(58) **Field of Classification Search**
USPC D21/818-822, 811, 814; 472/116-117
See application file for complete search history.

(56) **References Cited**

U.S. PATENT DOCUMENTS

6,354,955 B1 * 3/2002 Stuart et al. 472/117
6,485,372 B2 * 11/2002 Stuart et al. 472/117

6,857,964 B2 * 2/2005 Hunter 472/116
D521,098 S * 5/2006 Hunter D21/819
7,056,220 B2 * 6/2006 Hunter 472/117
D548,810 S * 8/2007 Hunter D21/821
D567,322 S * 4/2008 Hunter D21/821
D583,895 S * 12/2008 Hlynka D21/821
D629,861 S * 12/2010 Cuttell et al. D21/821
D650,463 S * 12/2011 Degirmenci D21/819
8,360,894 B2 * 1/2013 Hlynka 472/117
8,430,760 B2 * 4/2013 Brassard 472/117

* cited by examiner

Primary Examiner — Mitchell Siegel

(74) *Attorney, Agent, or Firm* — Egbert Law Offices, PLLC

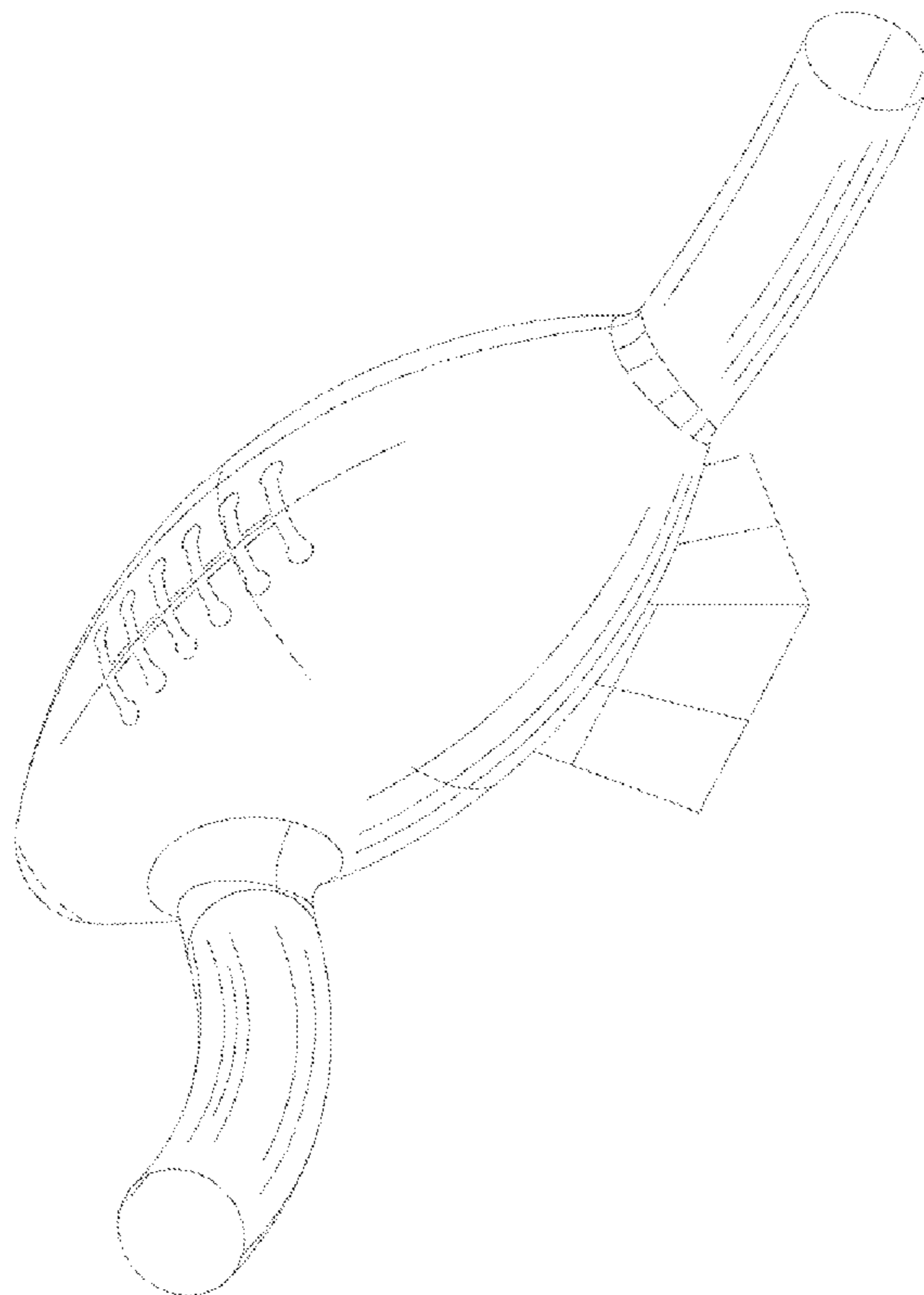
(57) **CLAIM**

The ornamental design for a water park unit, as shown and described.

DESCRIPTION

FIG. 1 is an upper perspective view of the water park unit showing my design.
FIG. 2 is a front elevation view thereof;
FIG. 3 is a rear elevation view thereof;
FIG. 4 is a side elevation view thereof;
FIG. 5 is an opposite side elevation view thereof;
FIG. 6 is a top plan view thereof; and,
FIG. 7 is a bottom plan view thereof.

1 Claim, 7 Drawing Sheets



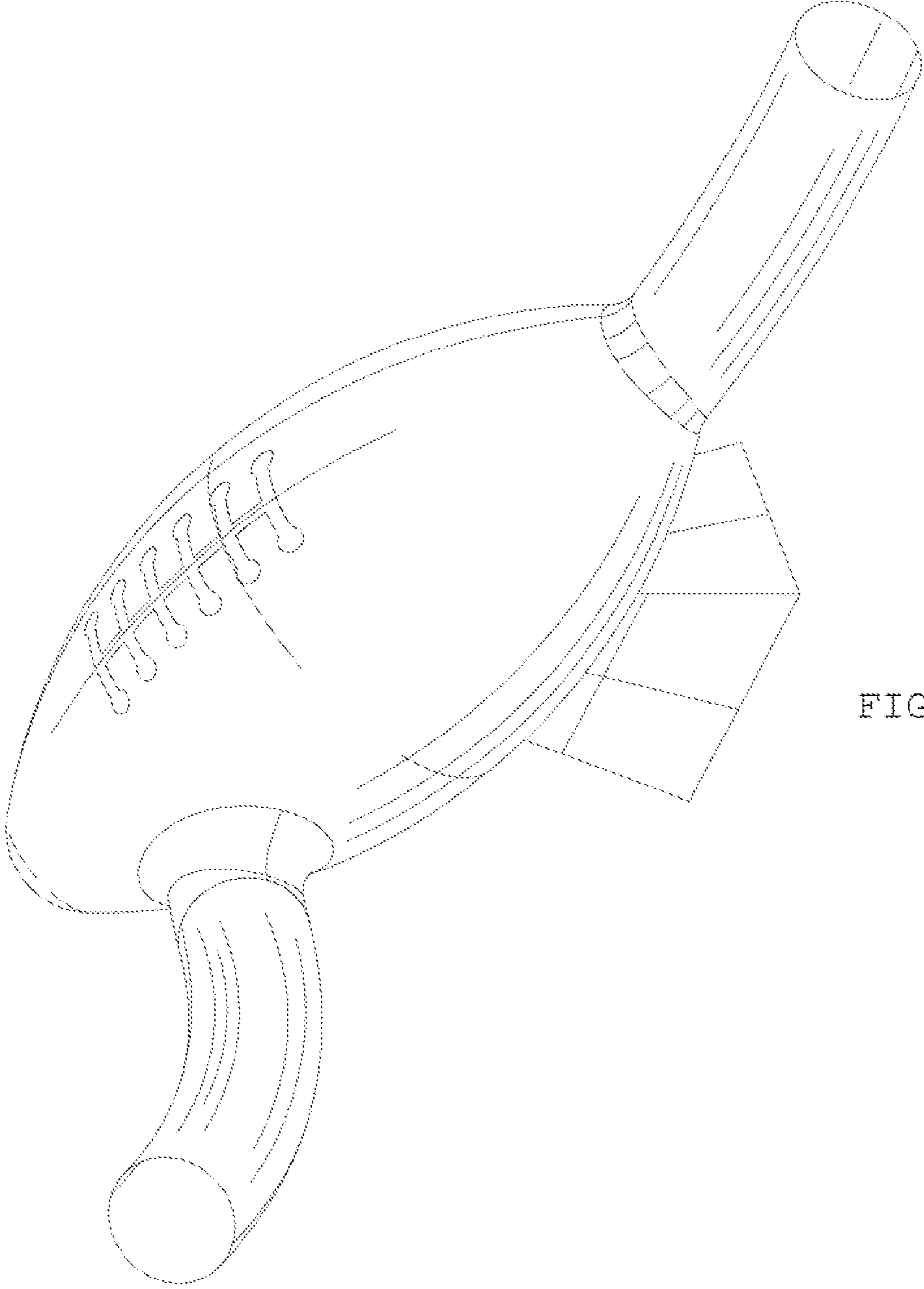


FIG. 1

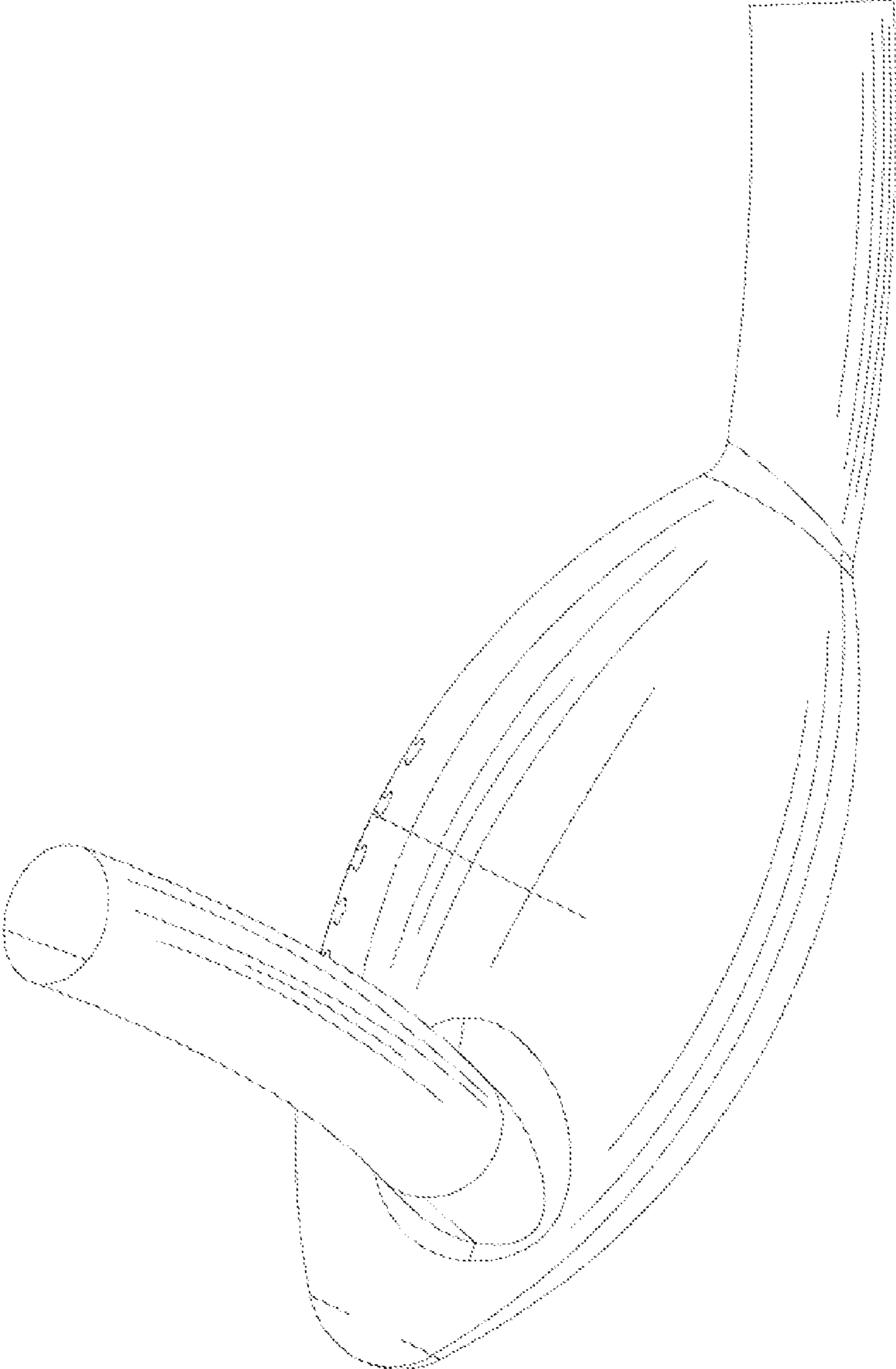


FIG. 2

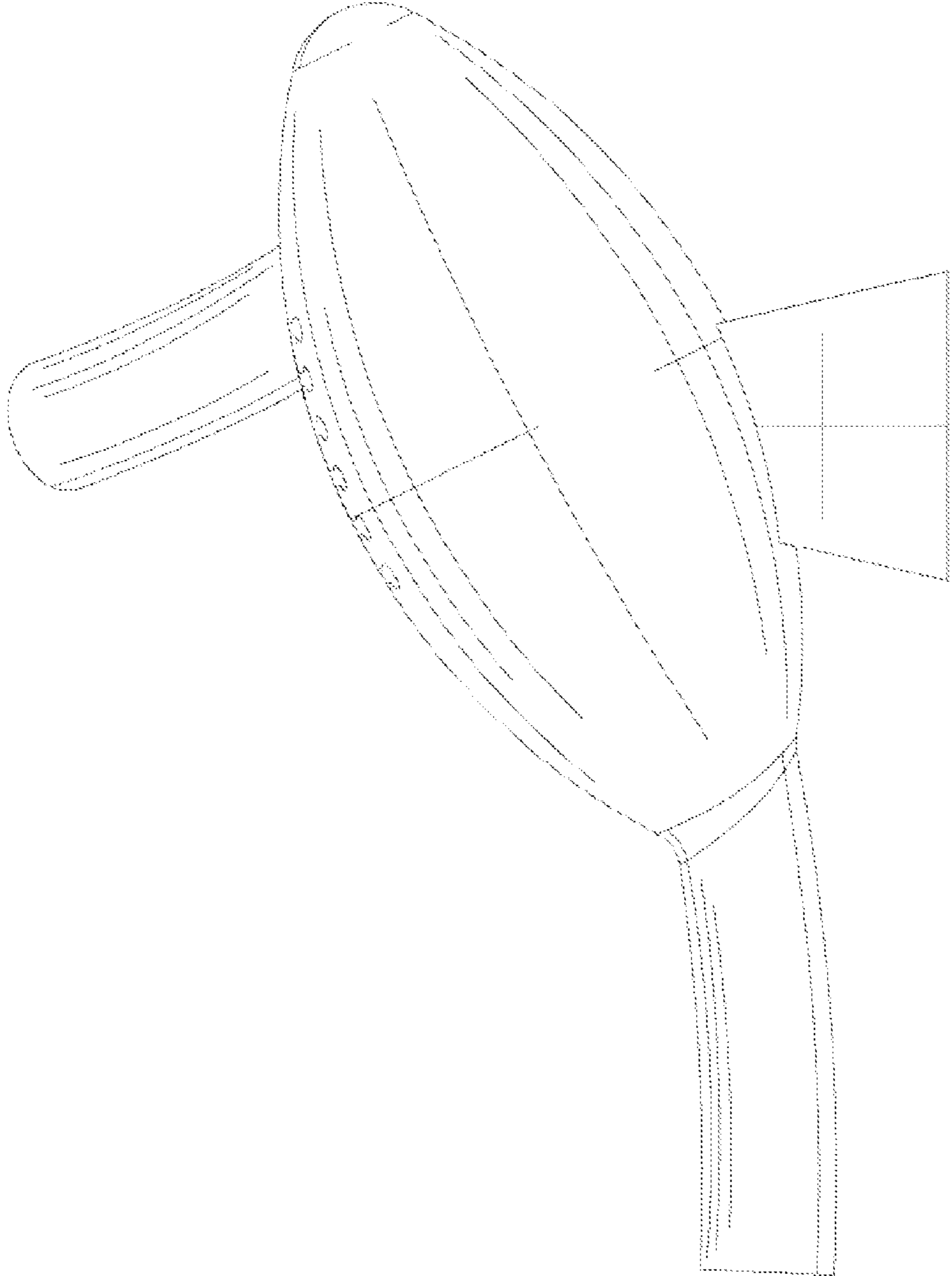


FIG. 3

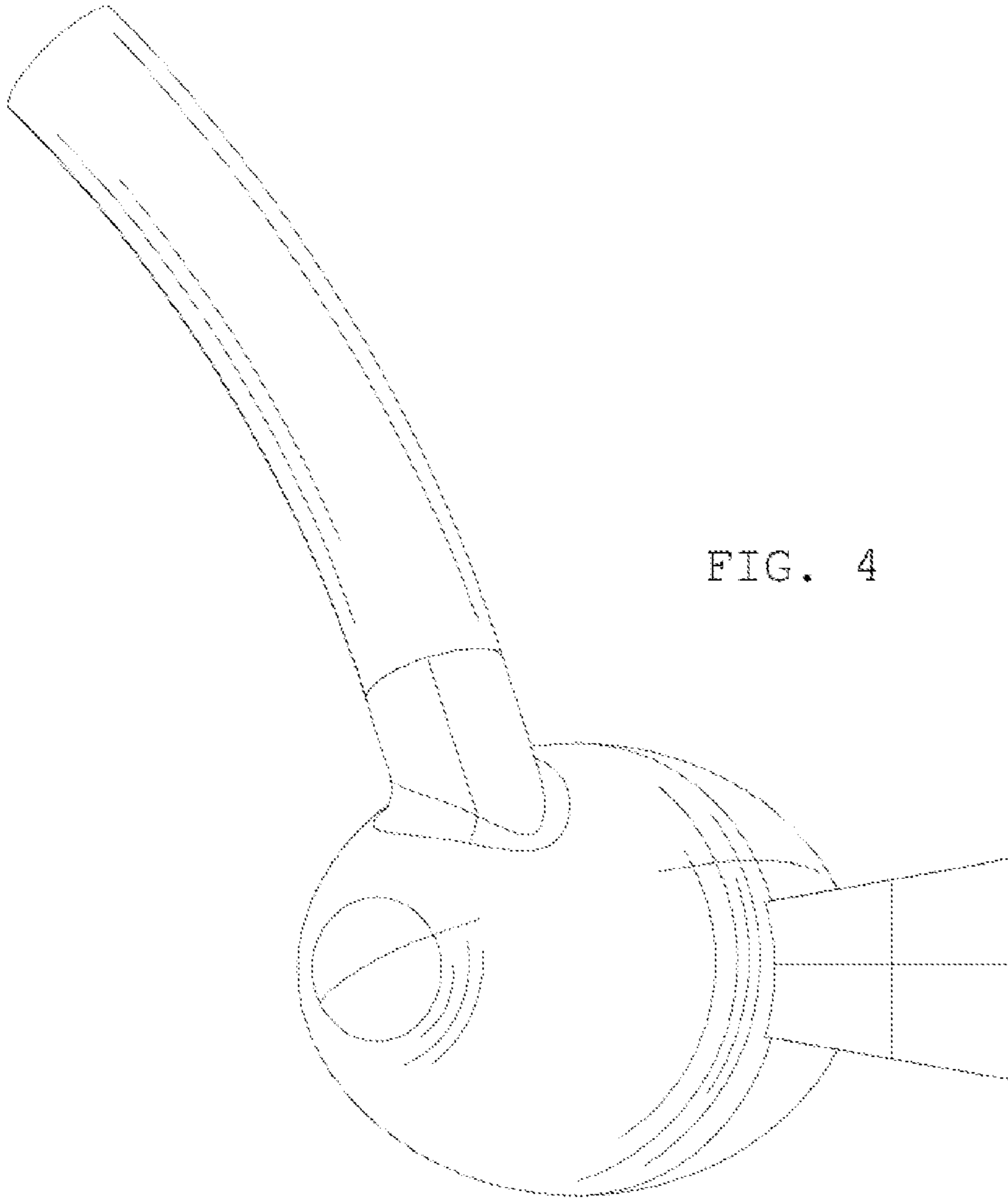


FIG. 4

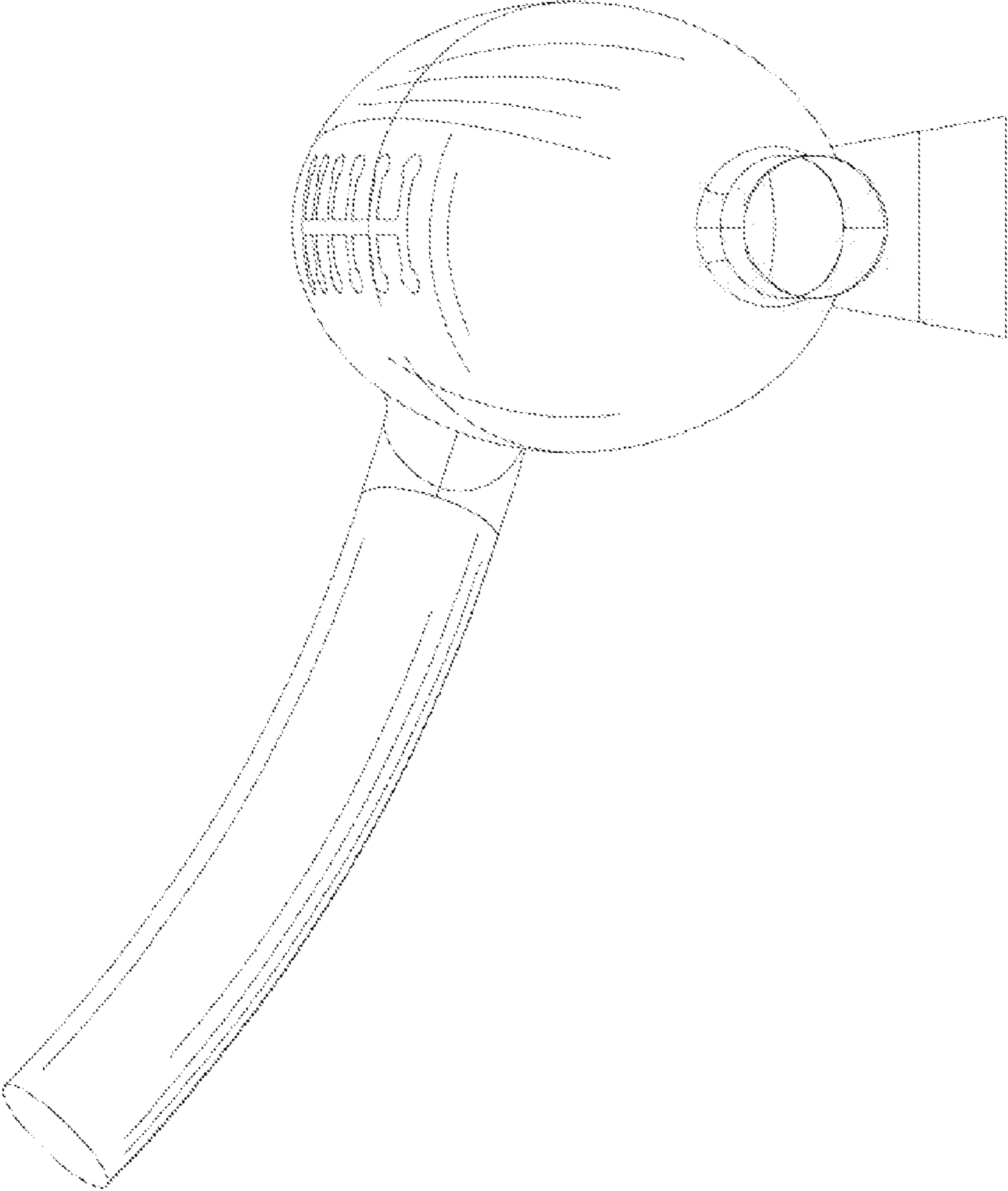


FIG. 5

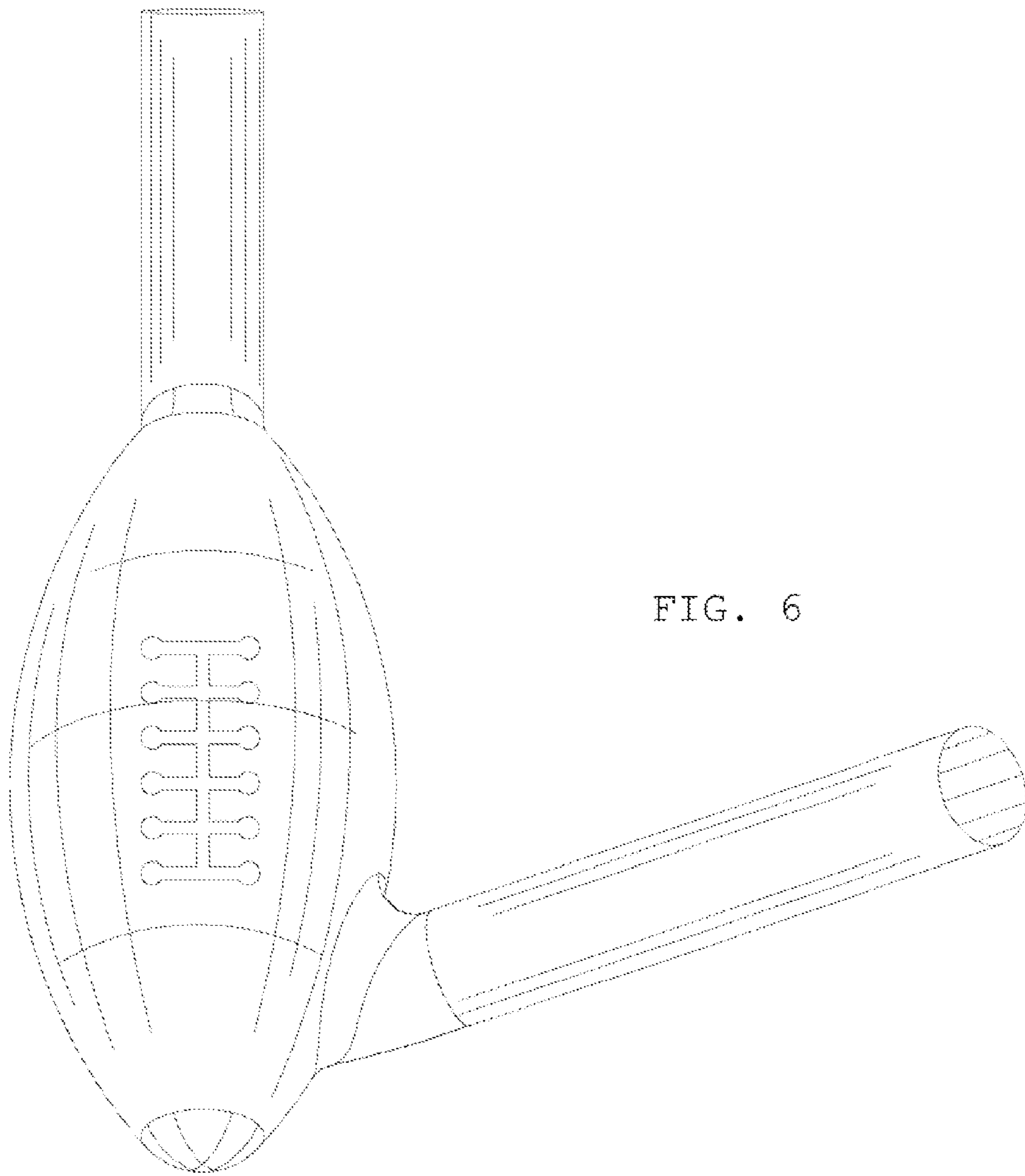


FIG. 6

FIG. 7

