



US00D697570S

(12) **United States Design Patent**
Samuels

(10) **Patent No.:** **US D697,570 S**
(45) **Date of Patent:** **** Jan. 14, 2014**

- (54) **SPORTS BOARD MOUNTING SYSTEM**
- (71) Applicant: **Woodman Labs, Inc.**, San Mateo, CA (US)
- (72) Inventor: **Rudy Lucas Samuels**, Mill Valley, CA (US)
- (73) Assignee: **Woodman Labs, Inc.**, San Mateo, CA (US)
- (**) Term: **14 Years**
- (21) Appl. No.: **29/458,355**
- (22) Filed: **Jun. 18, 2013**

D557,320 S *	12/2007	Fisher et al.	D16/242
D557,321 S *	12/2007	Fisher et al.	D16/242
D630,238 S *	1/2011	Fukuma et al.	D16/242
D643,868 S *	8/2011	van Herpen	D16/242
8,150,248 B1 *	4/2012	Woodman	396/25
D660,393 S *	5/2012	Bradley et al.	D21/771
D661,718 S *	6/2012	Tang	D16/202
D663,000 S *	7/2012	Trotter	D21/771

* cited by examiner

Primary Examiner — Zenia Bennett

(74) *Attorney, Agent, or Firm* — Fenwick & West LLP

Related U.S. Application Data

- (63) Continuation of application No. 29/443,383, filed on Jan. 16, 2013, now Pat. No. Des. 687,112, which is a continuation of application No. 29/405,620, filed on Nov. 3, 2011, now Pat. No. Des. 677,748.
- (51) **LOC (10) Cl.** **21-02**
- (52) **U.S. Cl.**
USPC **D21/771**
- (58) **Field of Classification Search**
USPC D21/769–770, 801, 803, 809; 114/253, 114/345–346; 441/35, 66, 74, 40–42, 441/129–132; 472/128–129; D12/5, 6, 316; D16/242
See application file for complete search history.

References Cited

U.S. PATENT DOCUMENTS

- D502,522 S * 3/2005 Sperafico D21/771
- 7,117,699 B2 * 10/2006 Bistline 70/58

(57) **CLAIM**

The ornamental design for a sports board mounting system, as shown and described.

DESCRIPTION

This application is related to U.S. Pat. No. 8,014,656, filed Jul. 7, 2009, the contents of which are incorporated by reference herein in its entirety.

FIG. 1 is a front top left perspective view of a sports board mounting system;

FIG. 2 is a front top right perspective view thereof;

FIG. 3 is a back top right perspective view thereof;

FIG. 4 is a back top left perspective view thereof;

FIG. 5 is a front view thereof;

FIG. 6 is a back view thereof;

FIG. 7 is a right view thereof;

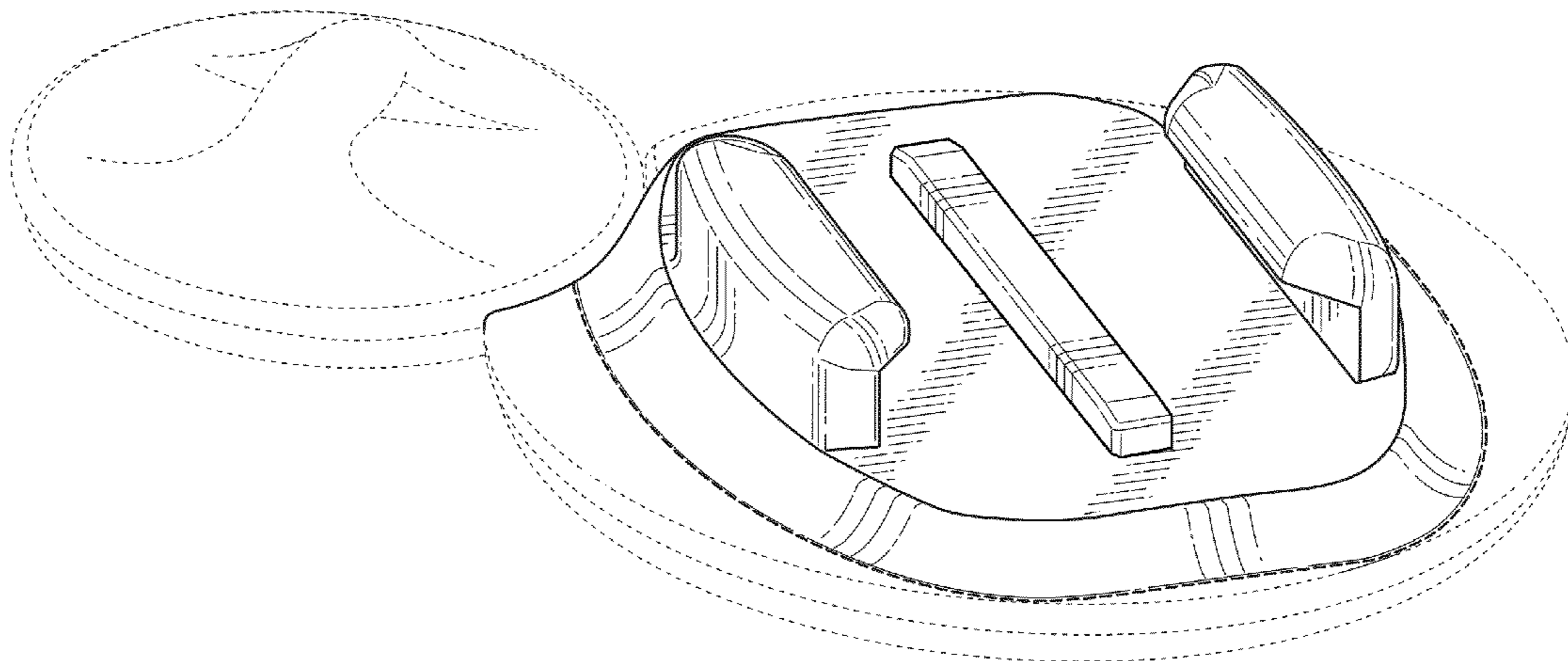
FIG. 8 is a left view thereof;

FIG. 9 is a top view thereof; and,

FIG. 10 is a front top left perspective view thereof.

The broken lines in the drawing are for illustrative purposes only and form no part of the claimed design.

1 Claim, 10 Drawing Sheets



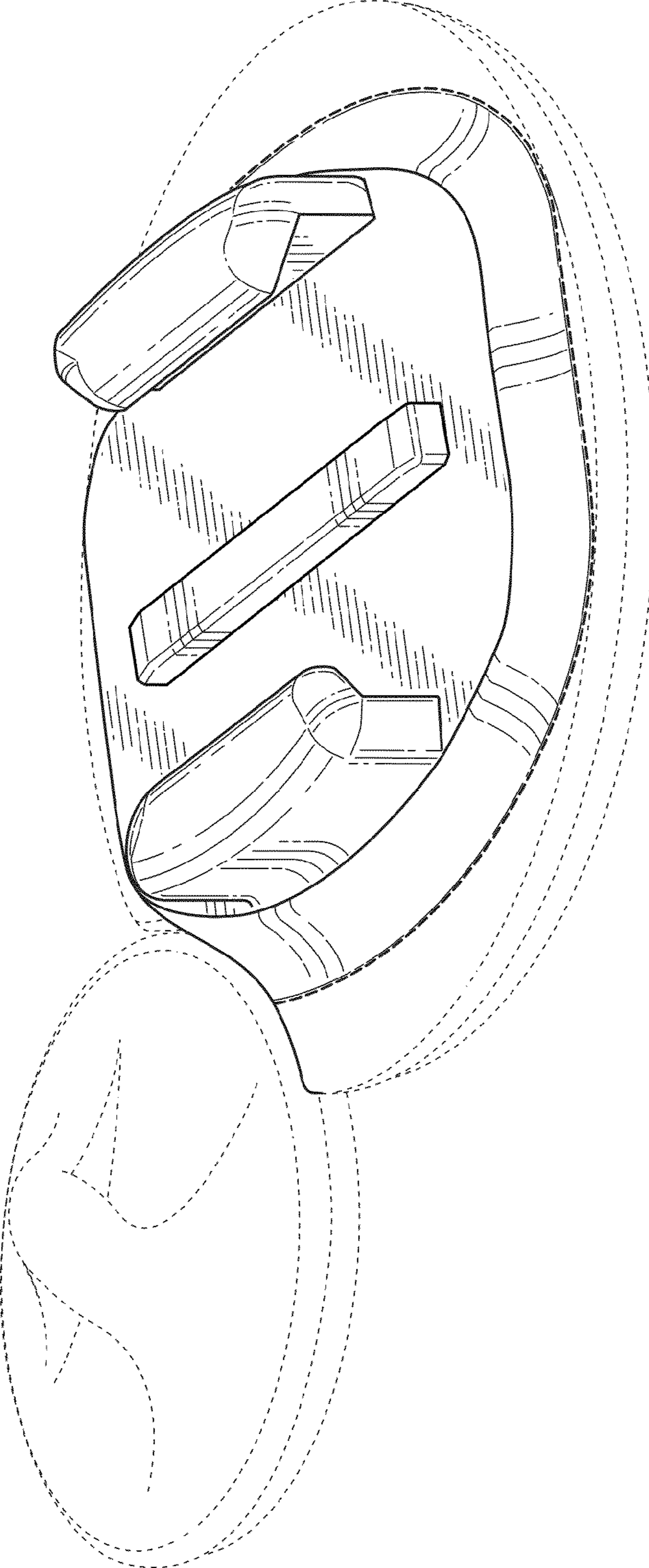


FIG. 1

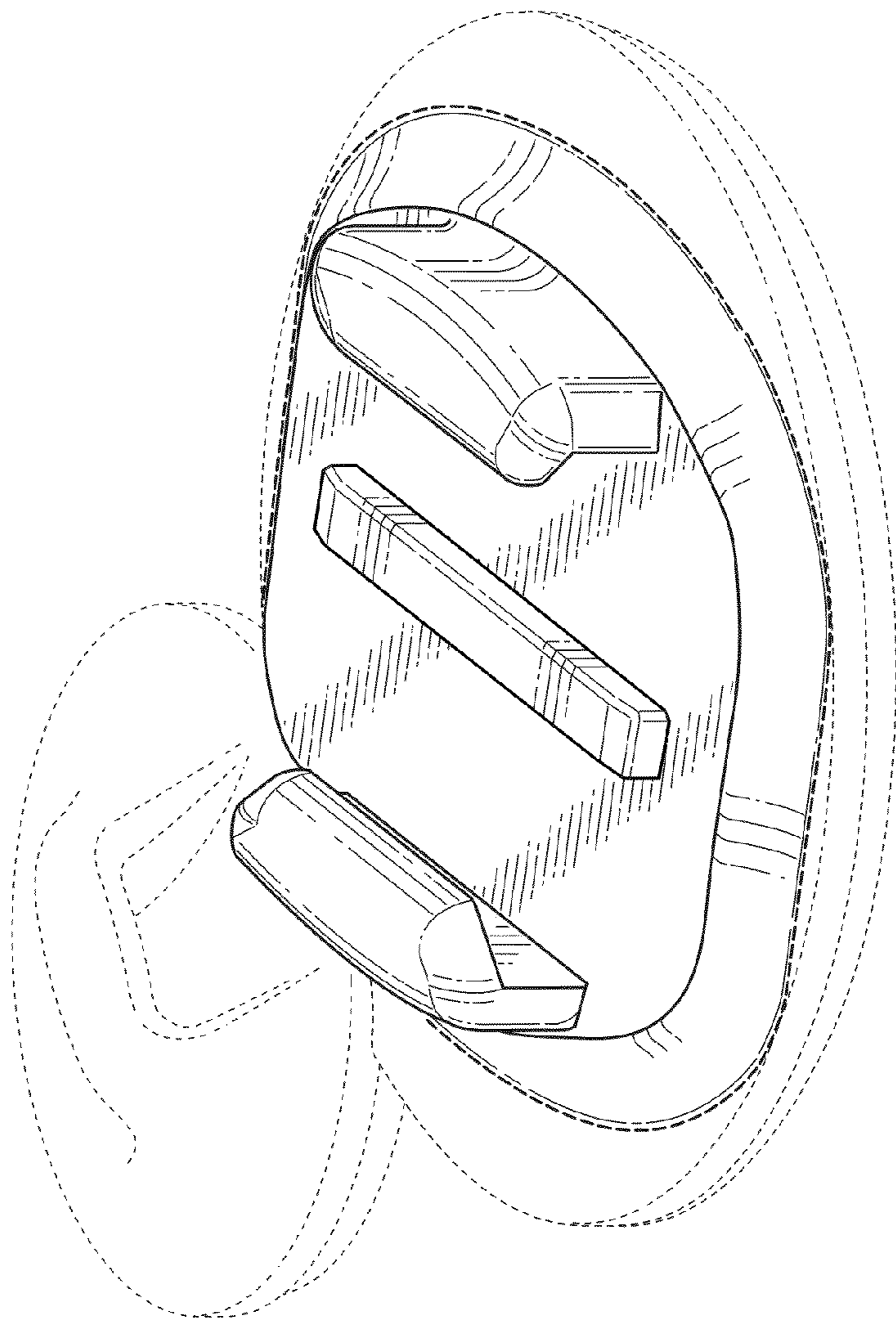


FIG. 2

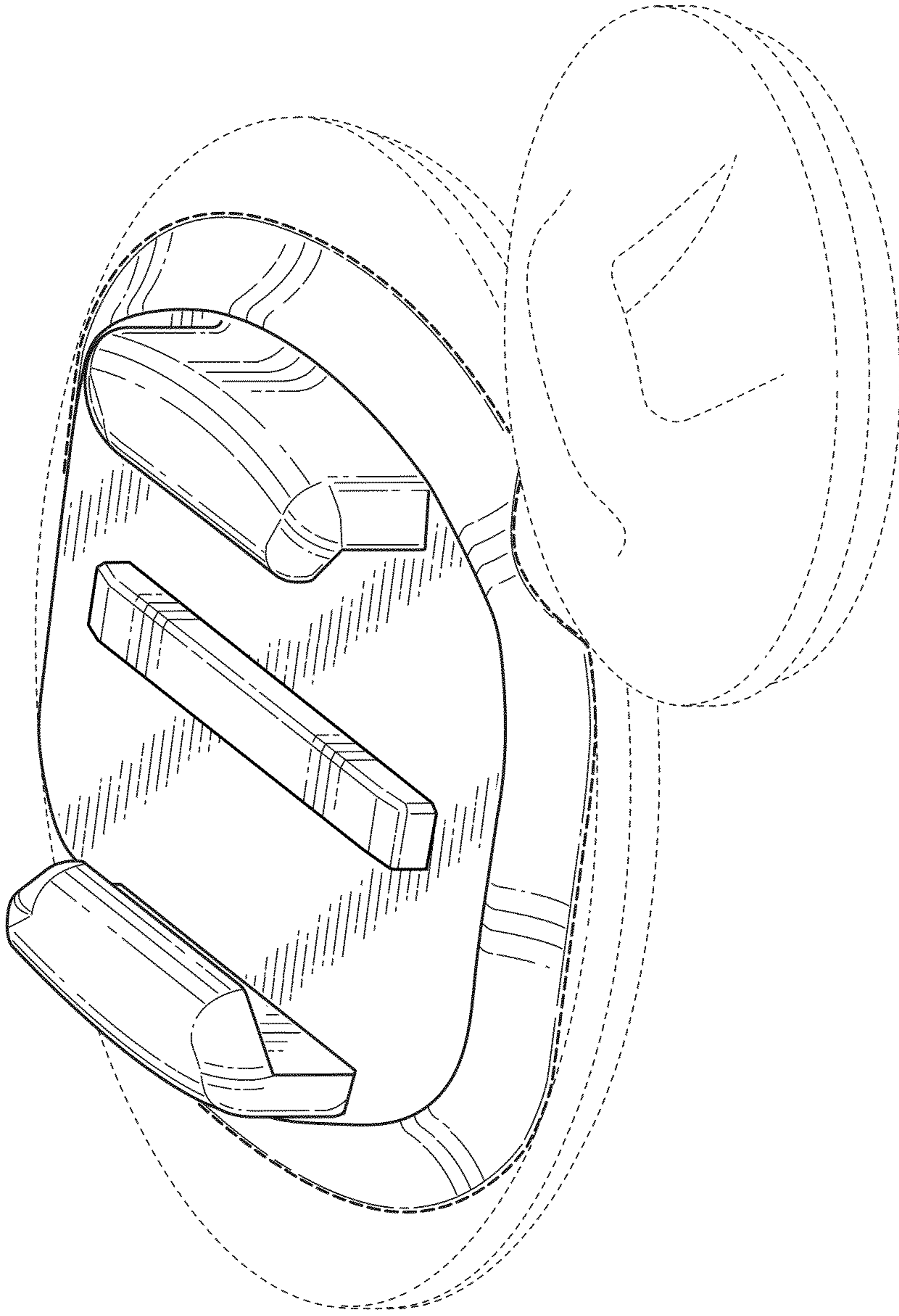


FIG. 3

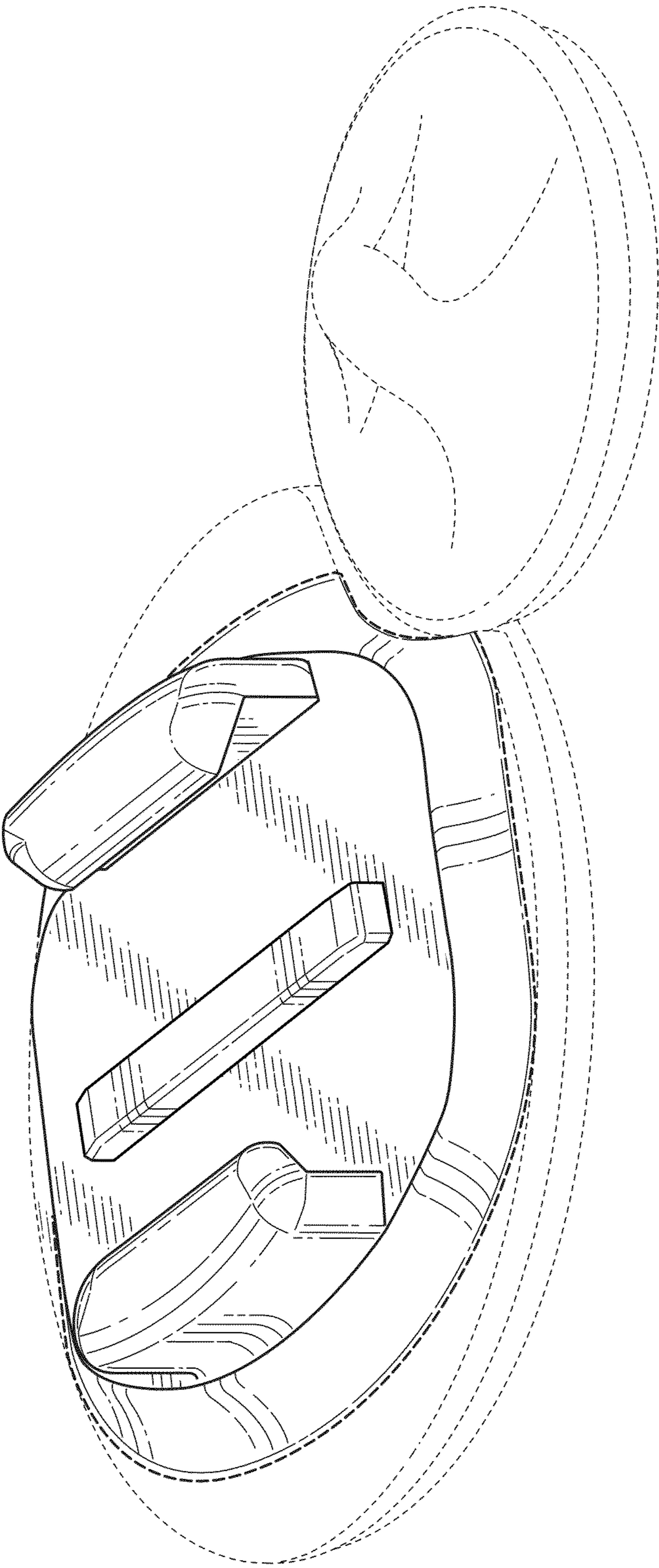


FIG. 4

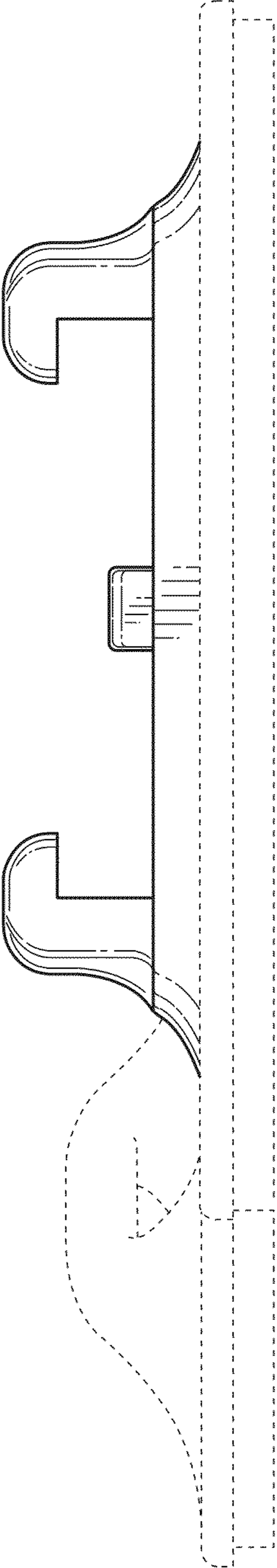


FIG. 5

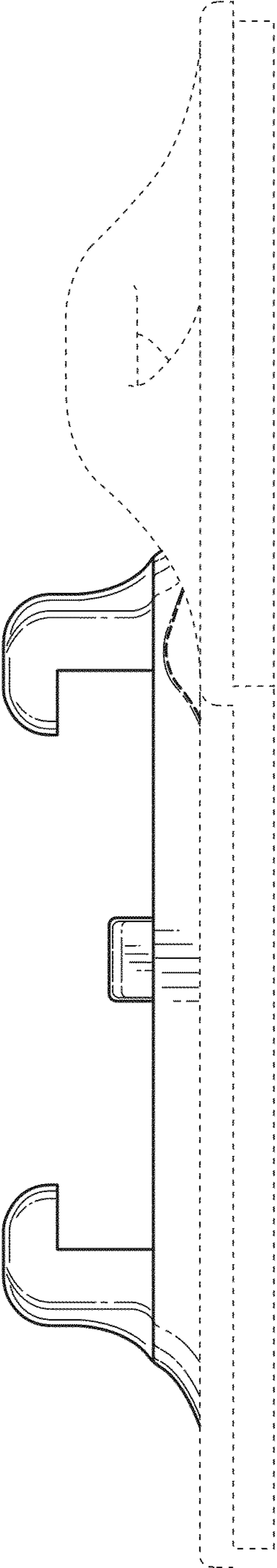


FIG. 6

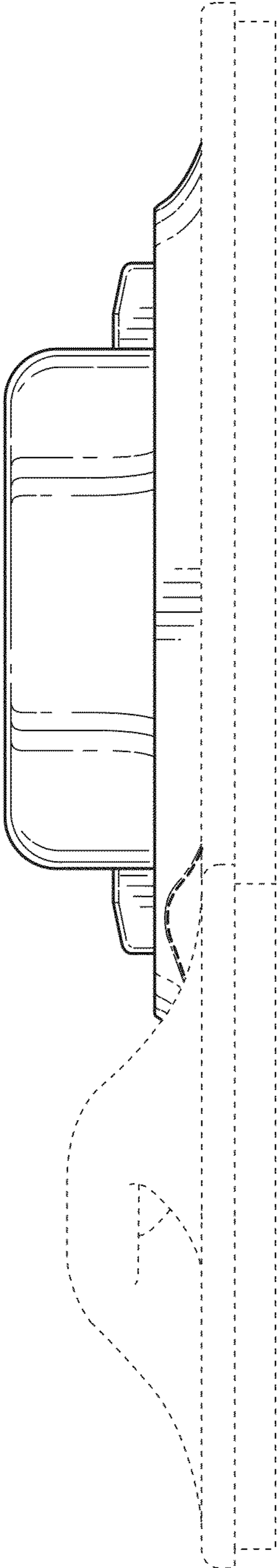


FIG. 7

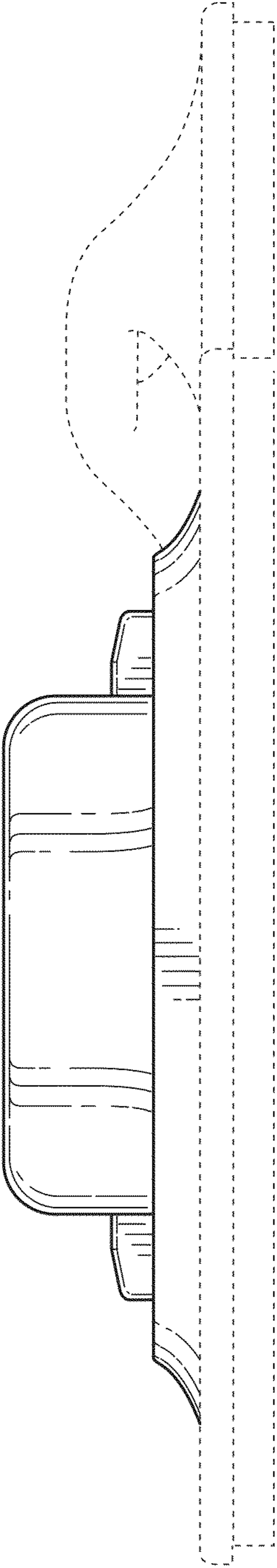


FIG. 8

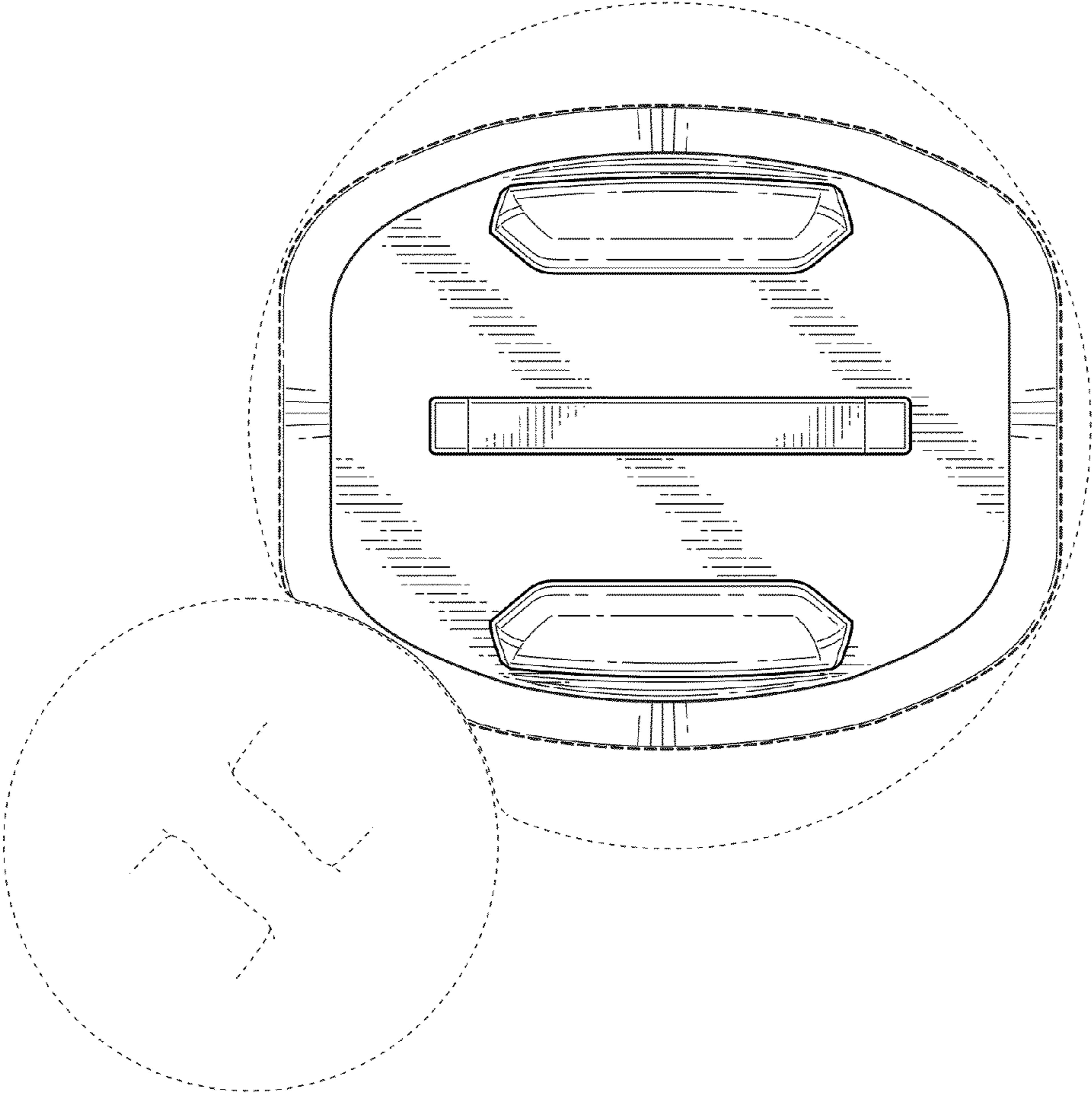


FIG. 9

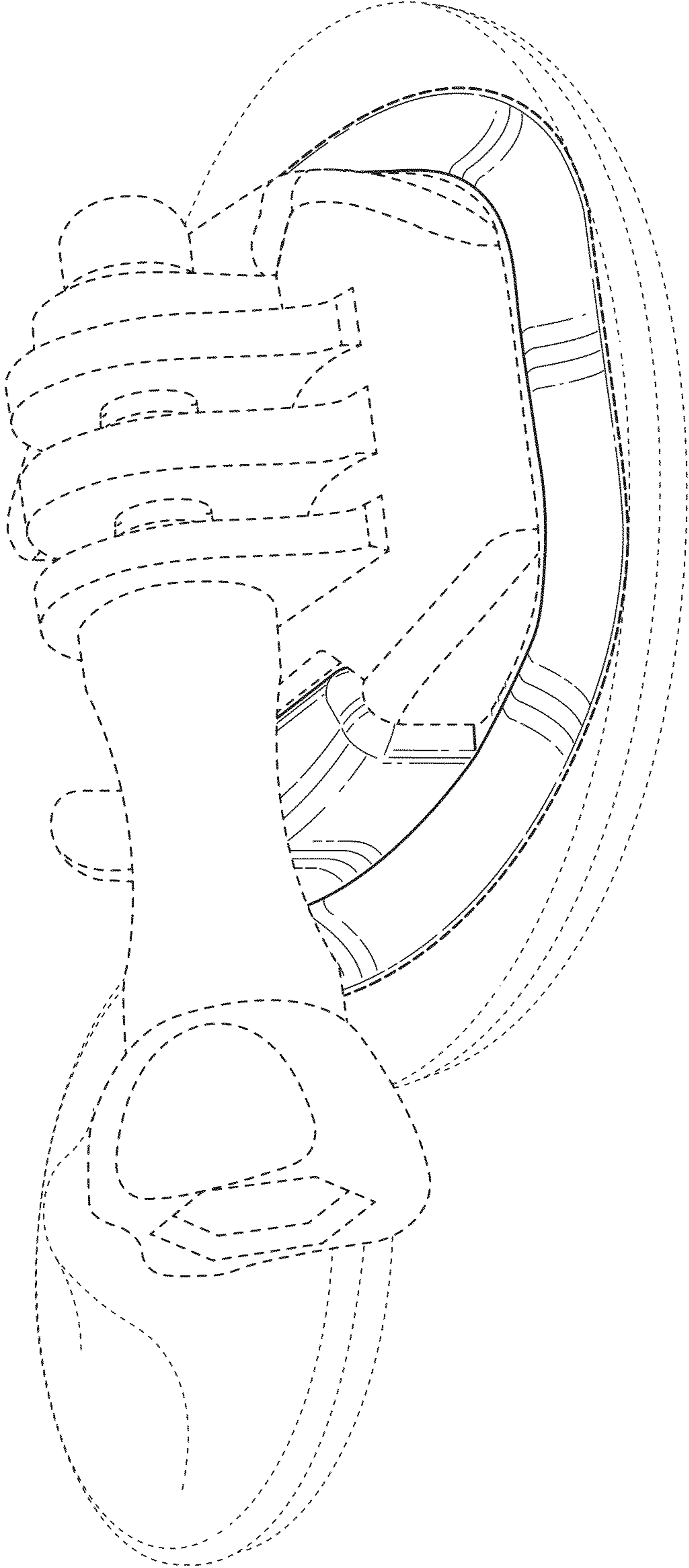


FIG. 10