



US00D697568S

(12) **United States Design Patent**
Svendsen et al.

(10) **Patent No.:** **US D697,568 S**
(45) **Date of Patent:** **** Jan. 14, 2014**

(54) **SKI BINDING**

(75) Inventors: **Oyvar Svendsen**, Oslo (NO); **Even Wollo**, Naersnes (NO)

(73) Assignee: **Rottfella AS** (NO)

(**) Term: **14 Years**

(21) Appl. No.: **29/398,691**

(22) Filed: **Aug. 3, 2011**

(30) **Foreign Application Priority Data**

Feb. 4, 2011 (NO) 20110068

(51) **LOC (10) Cl.** **21-02**

(52) **U.S. Cl.**
USPC **D21/769**; D21/766

(58) **Field of Classification Search**
USPC D21/760, 761, 765, 766, 801, 803;
441/65-66, 68-69, 72-75, 79; D12/6;
280/11.3, 11.31, 601-606, 609-610
See application file for complete search history.

(56) **References Cited**

U.S. PATENT DOCUMENTS

D299,734 S	2/1989	Sedlmair	
D323,200 S	1/1992	Mermillod	
D329,267 S *	9/1992	Arnulf	D21/773
D341,864 S *	11/1993	Hauglin	D21/773
5,480,175 A *	1/1996	Astier et al.	280/607
D390,901 S	2/1998	Hauglin	
D425,955 S *	5/2000	Girard et al.	D21/773
6,533,625 B1 *	3/2003	Taylor	441/68
6,848,703 B2 *	2/2005	Godde et al.	280/607
D537,140 S *	2/2007	Battistoni	D21/773
D538,372 S *	3/2007	Bonnemere	D21/773
7,252,301 B2 *	8/2007	Valikangas	280/609
7,393,000 B2	7/2008	Resch et al.	
D617,408 S *	6/2010	Girard et al.	D21/773
7,744,113 B2	6/2010	Farges	
D647,156 S	10/2011	Svendsen et al.	
D650,030 S	12/2011	Svendsen et al.	
2002/0014757 A1	2/2002	Silva	

OTHER PUBLICATIONS

“U.S. Appl. No. 29/398,704, Response filed Jan. 17, 2013 to Non Final Office Action mailed Aug. 17, 2013”, 4 pgs.

“U.S. Appl. No. 29/398,696, Non Final Office Action mailed Aug. 20, 2012”, 8 pgs.

“U.S. Appl. No. 29/398,704, Non Final Office Action mailed Aug. 17, 2012”, 8 pgs.

“U.S. Appl. No. 29/398,705, Non Final Office Action mailed Aug. 20, 2012”, 8 pgs.

* cited by examiner

Primary Examiner — Zenia Bennett

(74) *Attorney, Agent, or Firm* — Kolisch Hartwell, P.C.

(57) **CLAIM**

The ornamental design for a ski binding, as shown and described.

DESCRIPTION

This application is related to U.S. patent application Ser. No. 29/398,696, entitled “Ski Binding”, filed on even date herewith.

This application is related to U.S. patent application Ser. No. 29/398,704, entitled “Ski Binding”, filed on even date herewith.

This application is related to U.S. patent application Ser. No. 29/398,705, entitled “Ski Binding”, filed on even date herewith.

FIG. 1 is a perspective view of a ski binding according to our design;

FIG. 2 is a top plan view thereof;

FIG. 3 is a right side elevational view thereof;

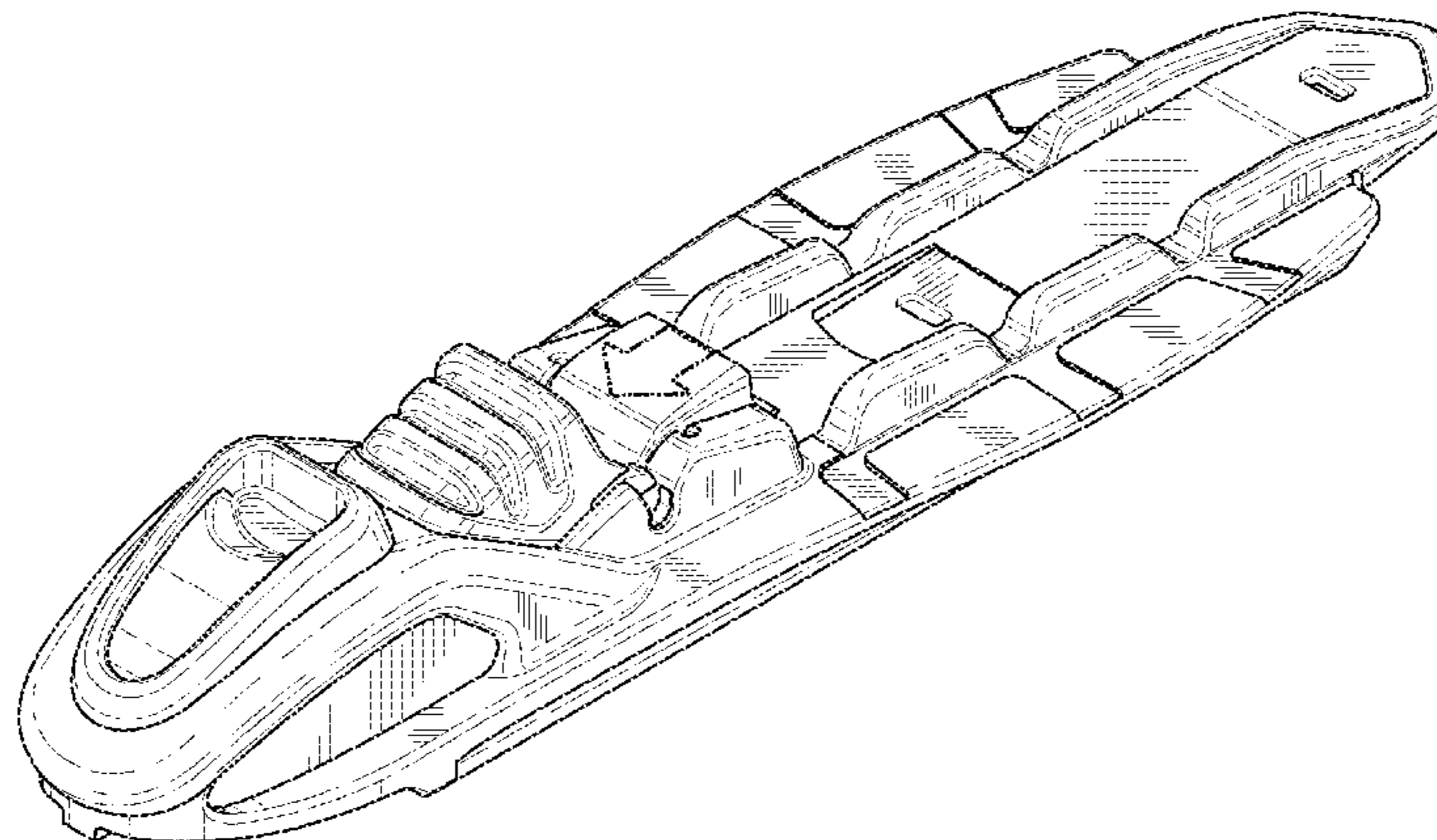
FIG. 4 is a bottom plan view thereof;

FIG. 5 is a front plan view thereof; and,

FIG. 6 is a rear plan view thereof.

The broken lines are for environmental purposes only and form no part of the claimed design.

1 Claim, 3 Drawing Sheets



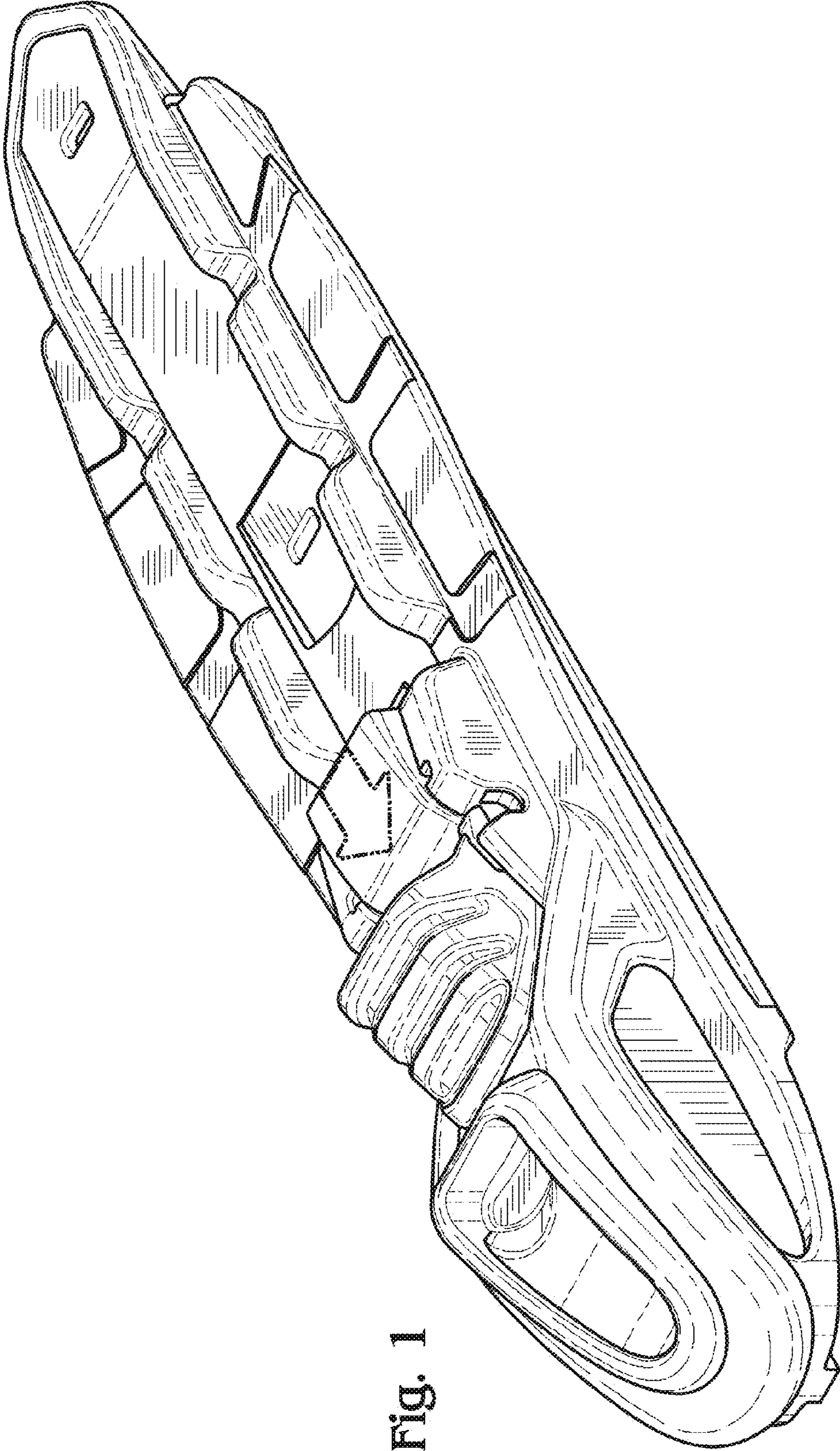


FIG. 1

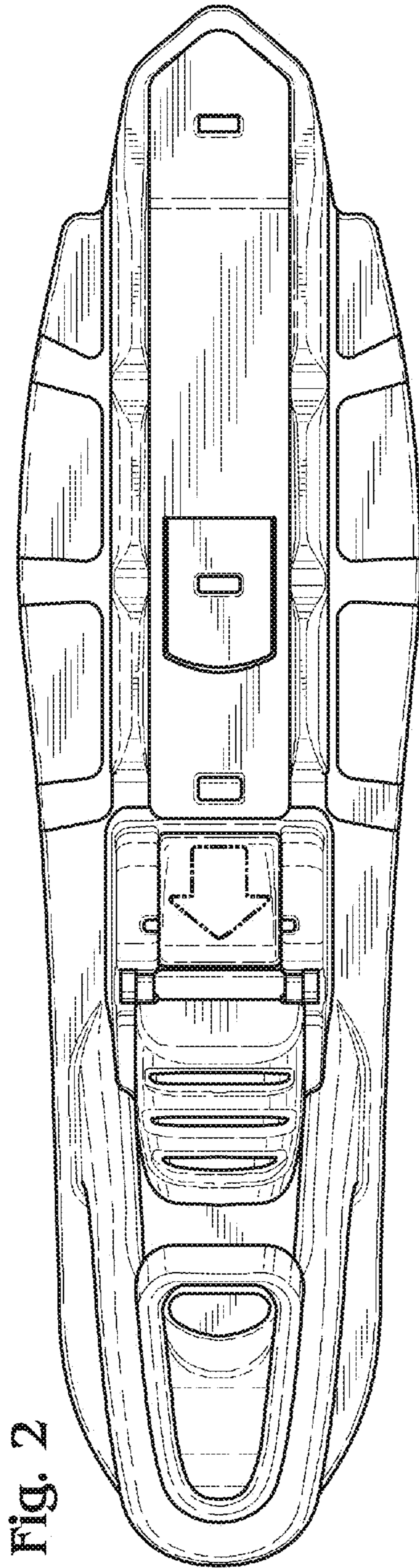


Fig. 2

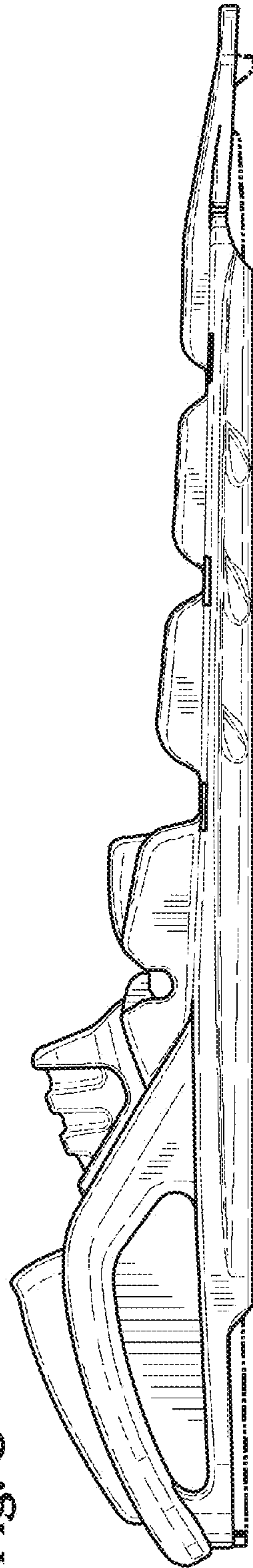


Fig. 3

Fig. 4

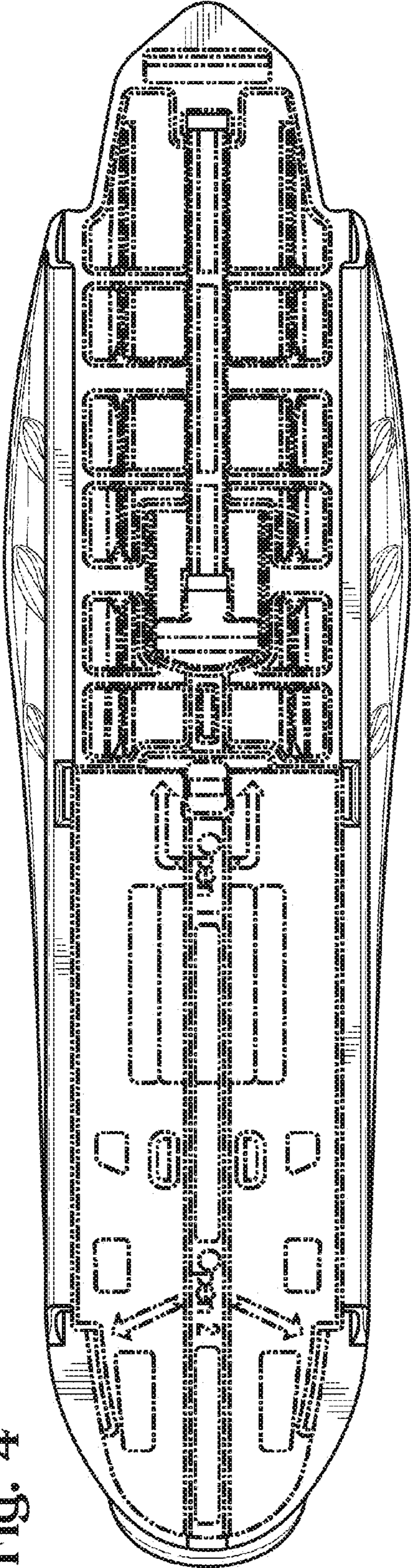


Fig. 5

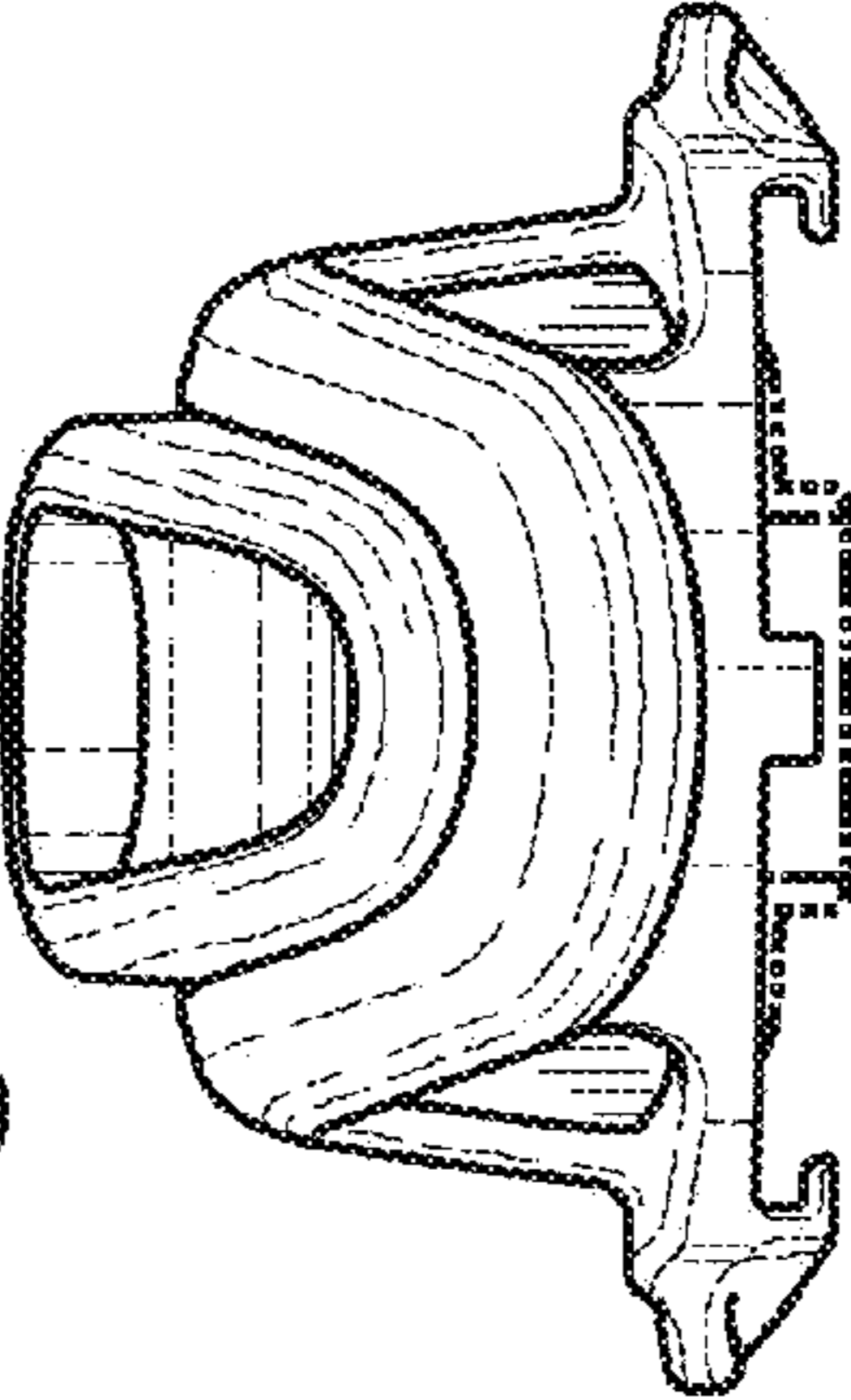


Fig. 6

