



US00D697567S

(12) **United States Design Patent**
Cynn

(10) **Patent No.:** **US D697,567 S**

(45) **Date of Patent:** **** Jan. 14, 2014**

(54) **GOLF PUTTER HEAD**

(76) Inventor: **Kie-Ho Cynn**, Kapolei, HI (US)

(**) Term: **14 Years**

(21) Appl. No.: **29/421,749**

(22) Filed: **Sep. 12, 2012**

(51) **LOC (10) Cl.** **21-02**

(52) **U.S. Cl.**
USPC **D21/742**

(58) **Field of Classification Search**
USPC D21/736-746, 759; 473/324-331,
473/340-341, 251-256
See application file for complete search history.

(56) **References Cited**

U.S. PATENT DOCUMENTS

D257,869 S *	1/1981	MacDougall	D21/739
D257,870 S *	1/1981	MacDougall	D21/739
D268,691 S *	4/1983	Collins	D21/739
D388,853 S *	1/1998	Minami	D21/745
D402,724 S *	12/1998	Minami	D21/743
D564,053 S *	3/2008	Blankenship	D21/736

D568,427 S *	5/2008	Nguyen et al.	D21/743
D607,950 S *	1/2010	Souza et al.	D21/736
D669,145 S *	10/2012	Roland	D21/736
D680,181 S *	4/2013	Roland	D21/759

* cited by examiner

Primary Examiner — Mitchell Siegel

(74) *Attorney, Agent, or Firm* — Kay H. Chin

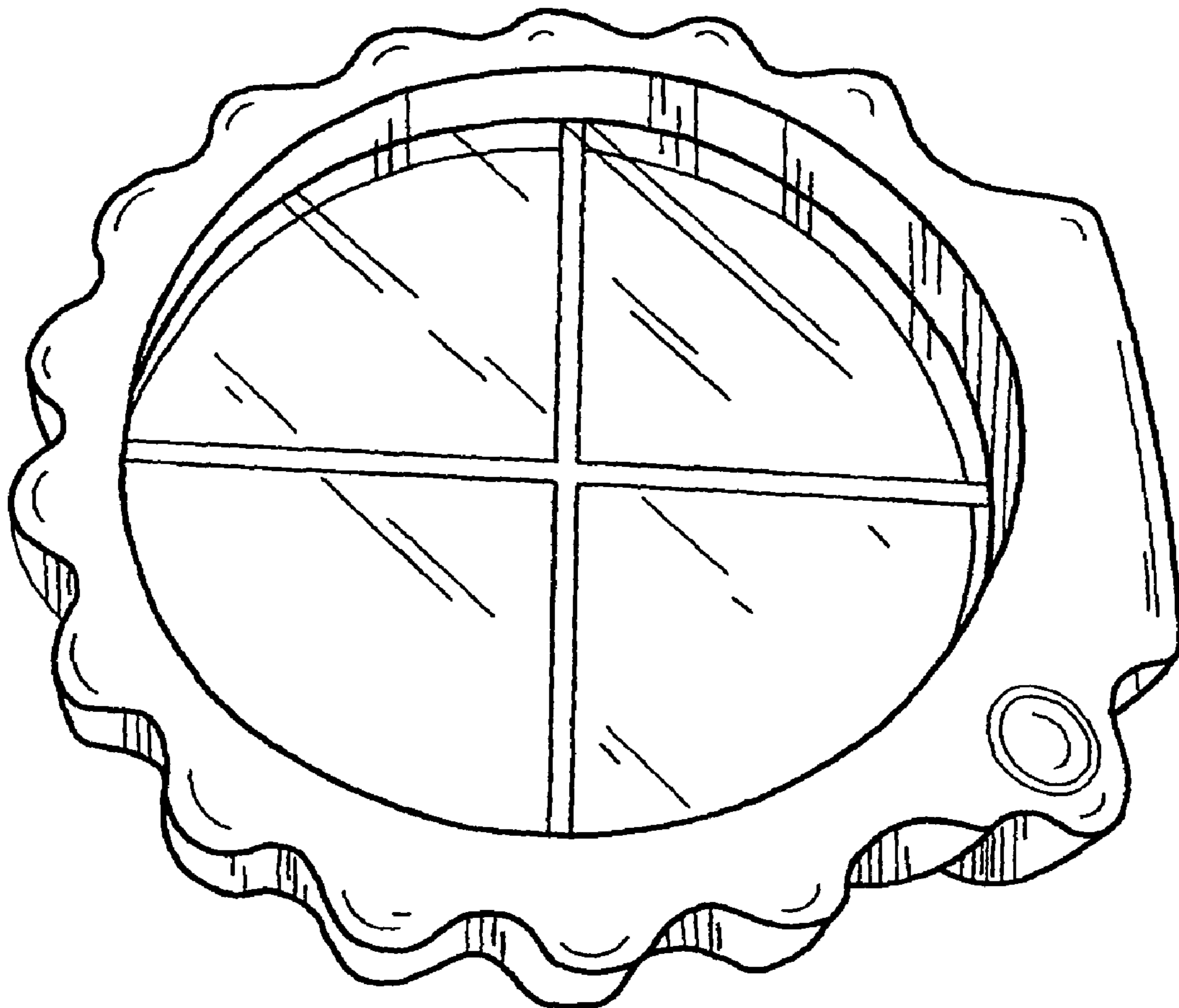
(57) **CLAIM**

The ornamental design for a golf putter head, as shown and described.

DESCRIPTION

FIG. 1 is a top plan view of golf putter head showing my new design;
FIG. 2 is a top perspective view thereof;
FIG. 3 is an enlarged front elevation view thereof;
FIG. 4 is an enlarged side elevation view thereof, the opposite side elevation view being a mirror image of that shown; and,
FIG. 5 is a bottom perspective view thereof.
The broken line illustration of the putter shaft is for illustrational purposes only and forms no part of the claimed design.

1 Claim, 4 Drawing Sheets



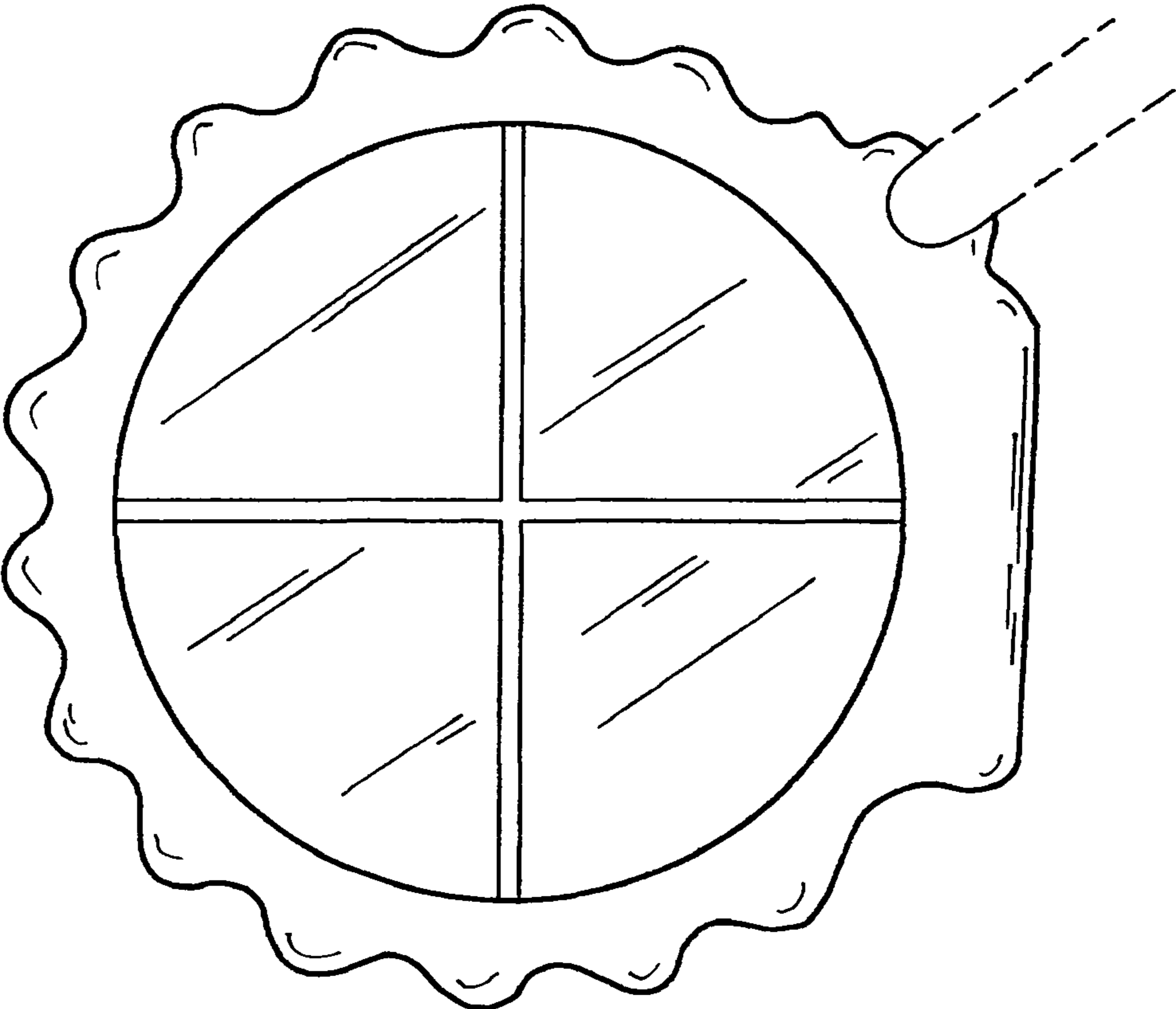


Fig 1

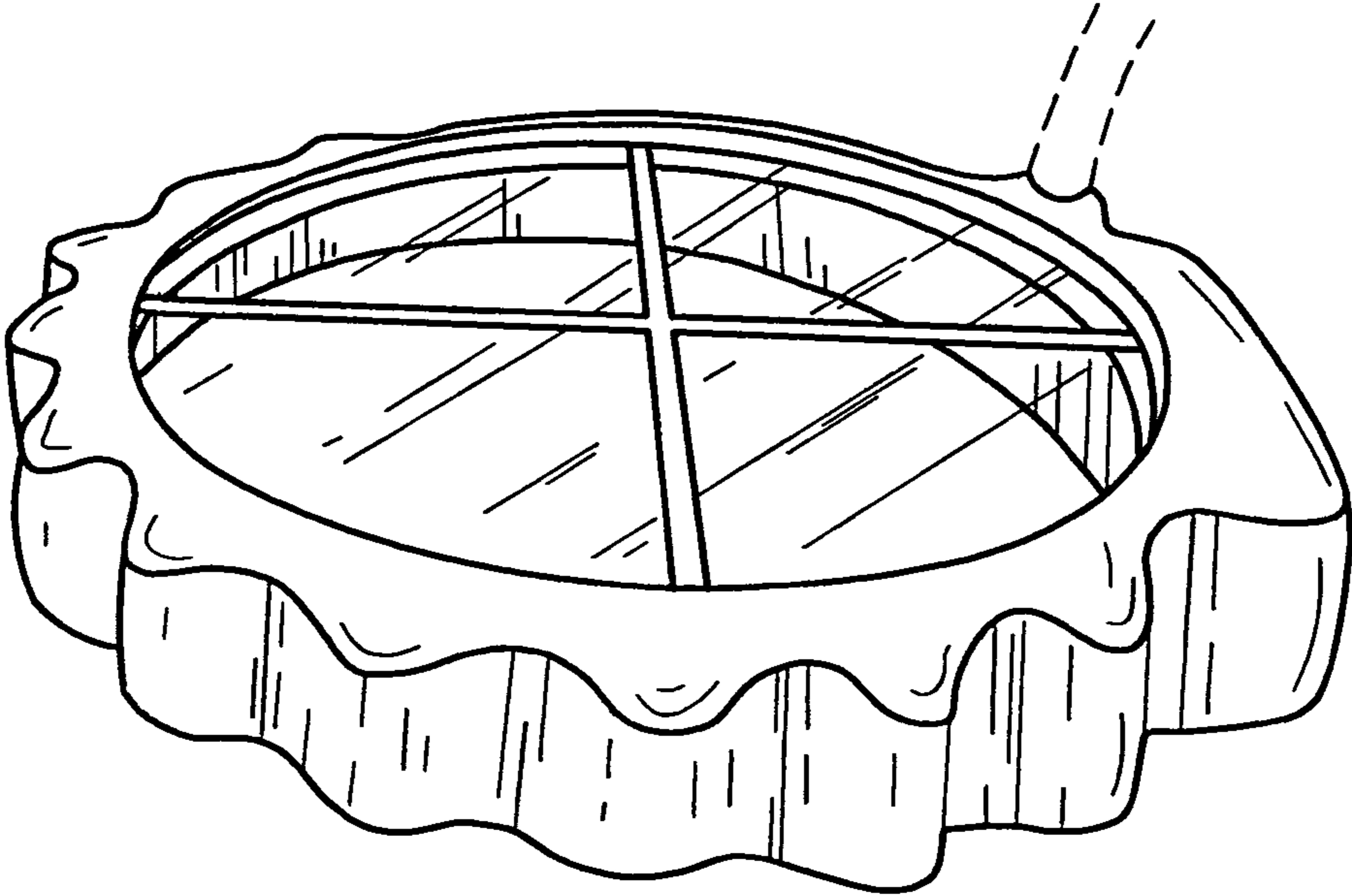


Fig 2

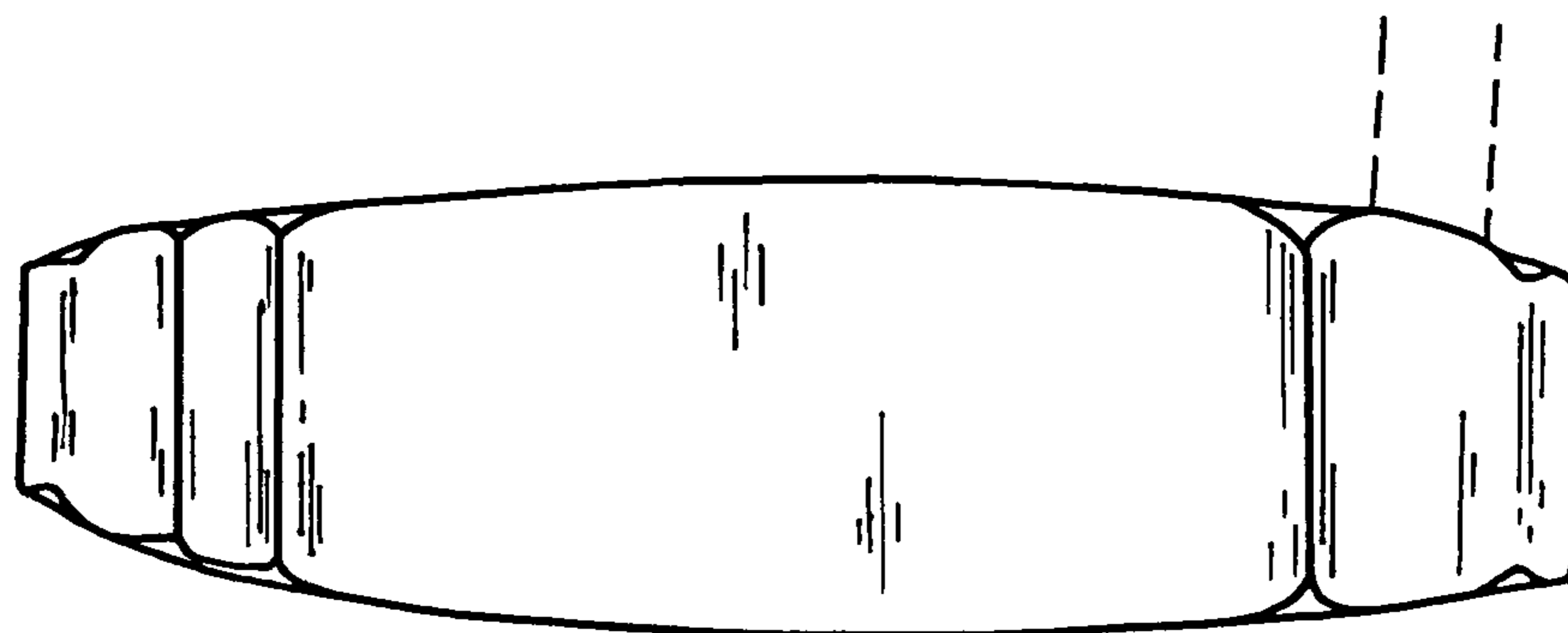


Fig 3

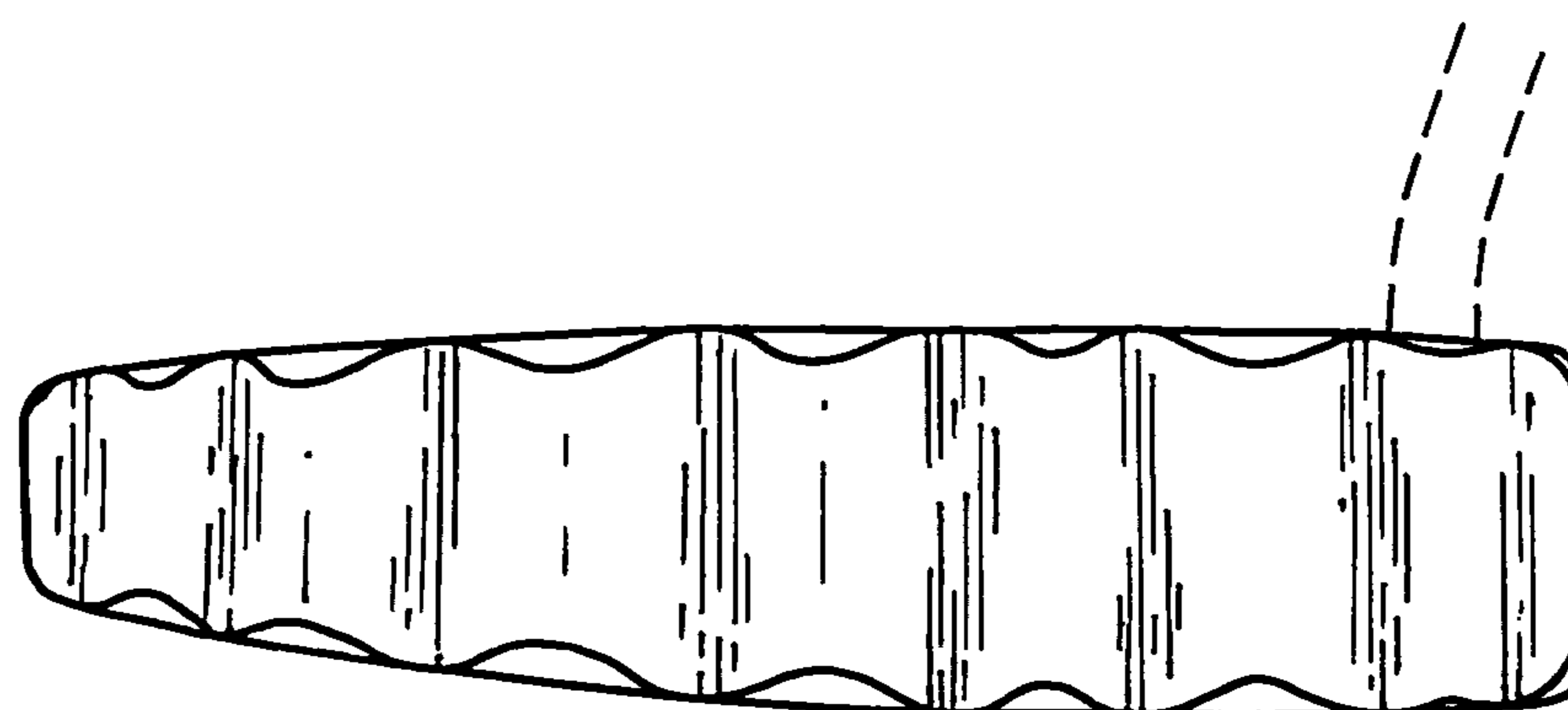


Fig 4

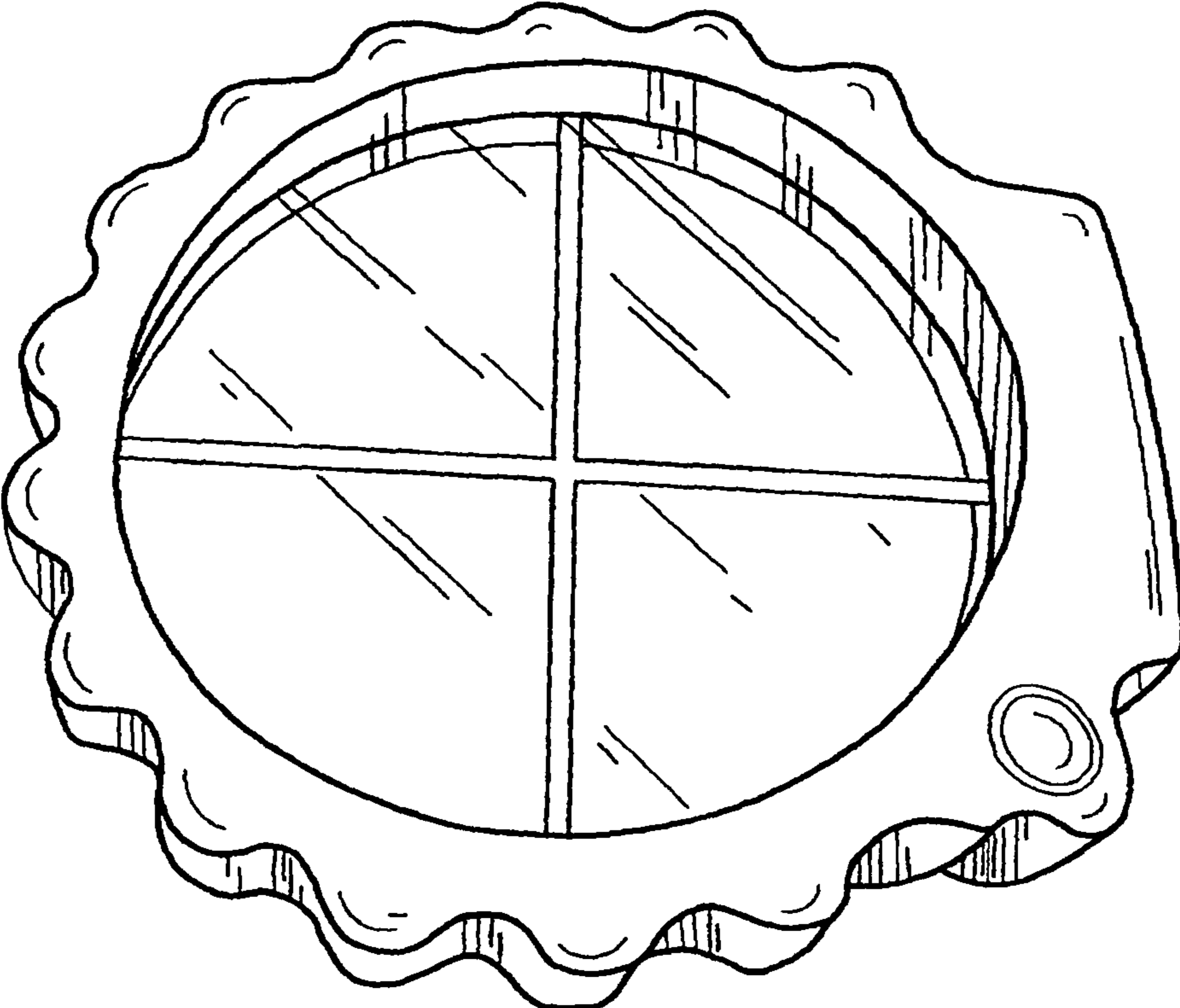


Fig 5