



US00D697565S

(12) **United States Design Patent**
Giger et al.

(10) **Patent No.:** **US D697,565 S**
(45) **Date of Patent:** **** Jan. 14, 2014**

(54) **PHYSICAL EXERCISER**
(71) Applicants: **Martin Giger**, Solothurn (CH); **Thomas Giger**, Langendorf (CH)
(72) Inventors: **Martin Giger**, Solothurn (CH); **Thomas Giger**, Langendorf (CH)
(**) Term: **14 Years**
(21) Appl. No.: **29/438,859**
(22) Filed: **Dec. 4, 2012**

(30) **Foreign Application Priority Data**
Jun. 5, 2012 (WO) DEN/673115001
(51) **LOC (10) Cl.** **21-02**
(52) **U.S. Cl.**
USPC **D21/665**
(58) **Field of Classification Search**
USPC D21/662, 665-666, 671, 673-676, 679,
D21/686, 690, 691, 693, 694; 482/72,
482/92-97, 99-100, 102-103, 121-123,
482/130, 140-142; D24/183
See application file for complete search history.

(56) **References Cited**
U.S. PATENT DOCUMENTS
2,484,153 A * 10/1949 Chaudoir, Sr. 482/60
4,482,152 A * 11/1984 Wolff 482/113
4,492,375 A * 1/1985 Connelly 482/138
4,645,205 A * 2/1987 Wolff 482/139

D289,784 S * 5/1987 Carey et al. D21/676
D300,158 S * 3/1989 Chang D21/665
D321,029 S * 10/1991 Low D21/676
D325,610 S * 4/1992 Walker et al. D21/675
D343,878 S * 2/1994 Hughes D21/665
D365,860 S 1/1996 Giger
D403,383 S * 12/1998 Gutierrez D21/675
D405,853 S * 2/1999 Husted D21/676
D432,601 S * 10/2000 Savage et al. D21/676
D526,368 S 8/2006 Giger et al.
D531,237 S 10/2006 Giger et al.
D641,436 S * 7/2011 Campitelli D21/694

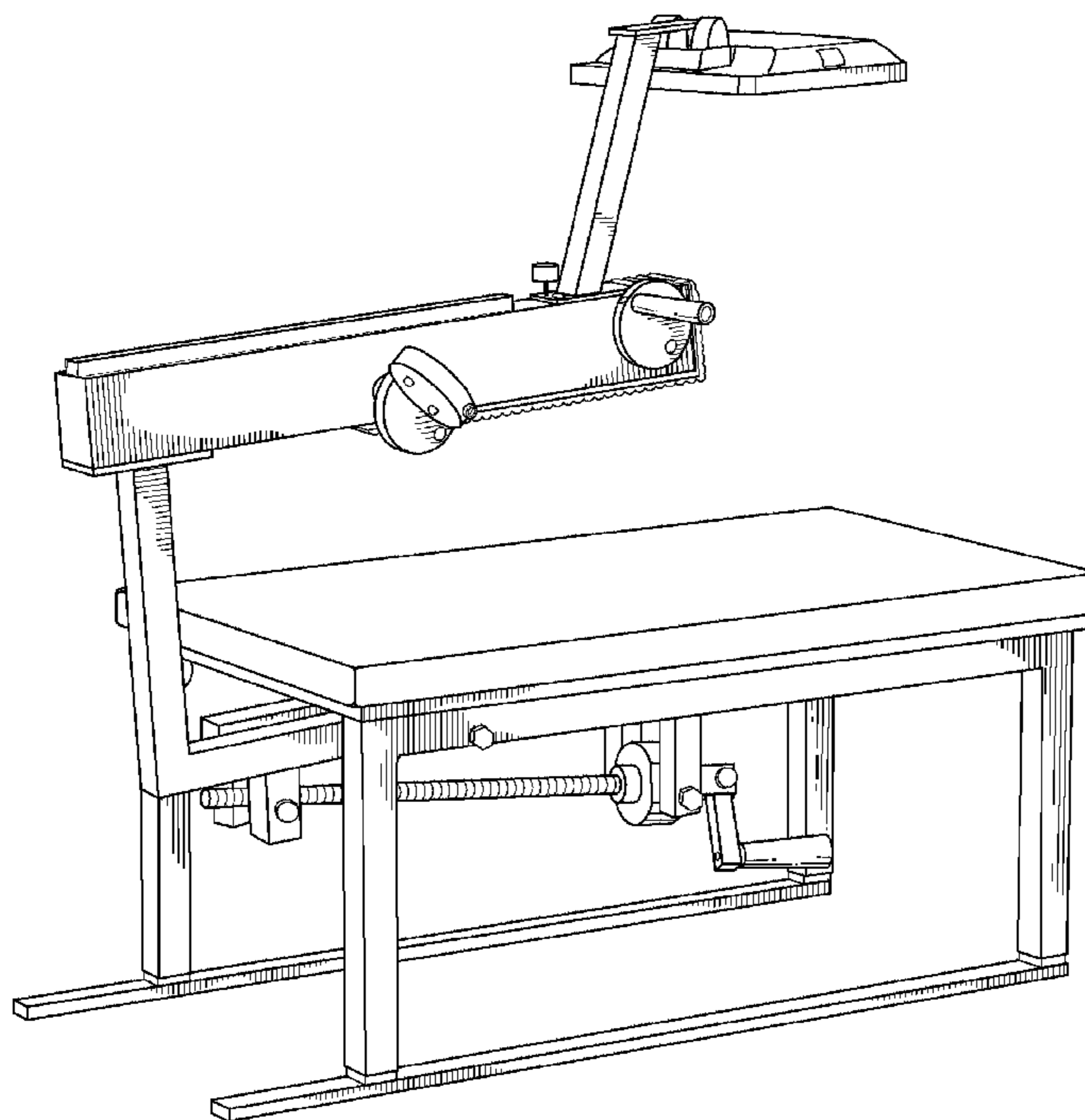
* cited by examiner

Primary Examiner — Susan E Krakower
(74) *Attorney, Agent, or Firm* — Griffin & Szipl, P.C.

(57) **CLAIM**
The ornamental design for a physical exerciser, as shown and described.

DESCRIPTION
FIG. 1 is a left sided perspective view of the physical exerciser of the present invention.
FIG. 2 is a right-sided perspective view of the physical exerciser of the present invention; and,
FIG. 3 is a perspective view taken from the rear of the physical exerciser of the present invention.
The patent application as filed contains at least one drawing. Any indicia shown in broken lines in the drawings form no part of the design to be patented.

1 Claim, 3 Drawing Sheets



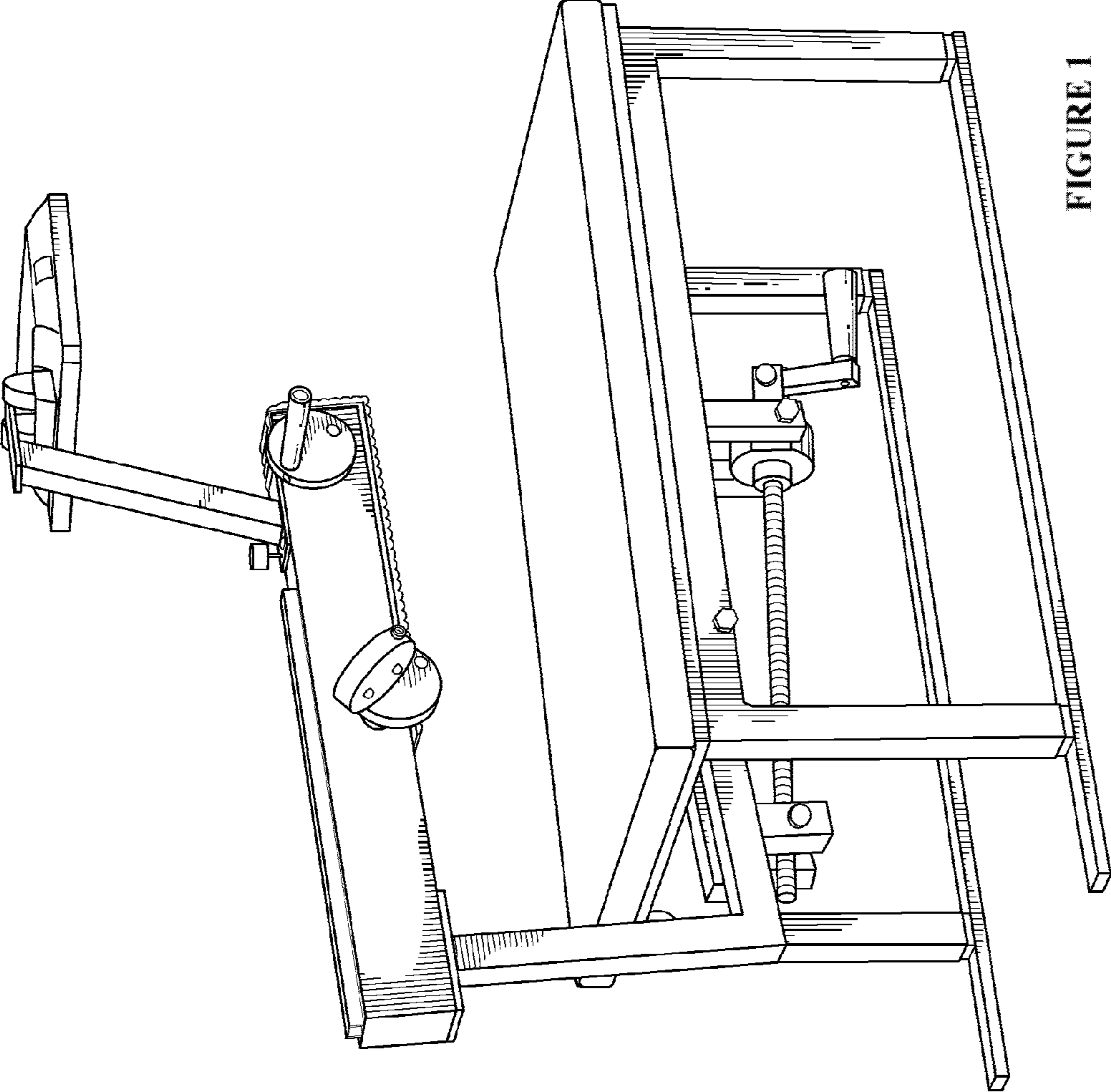


FIGURE 1

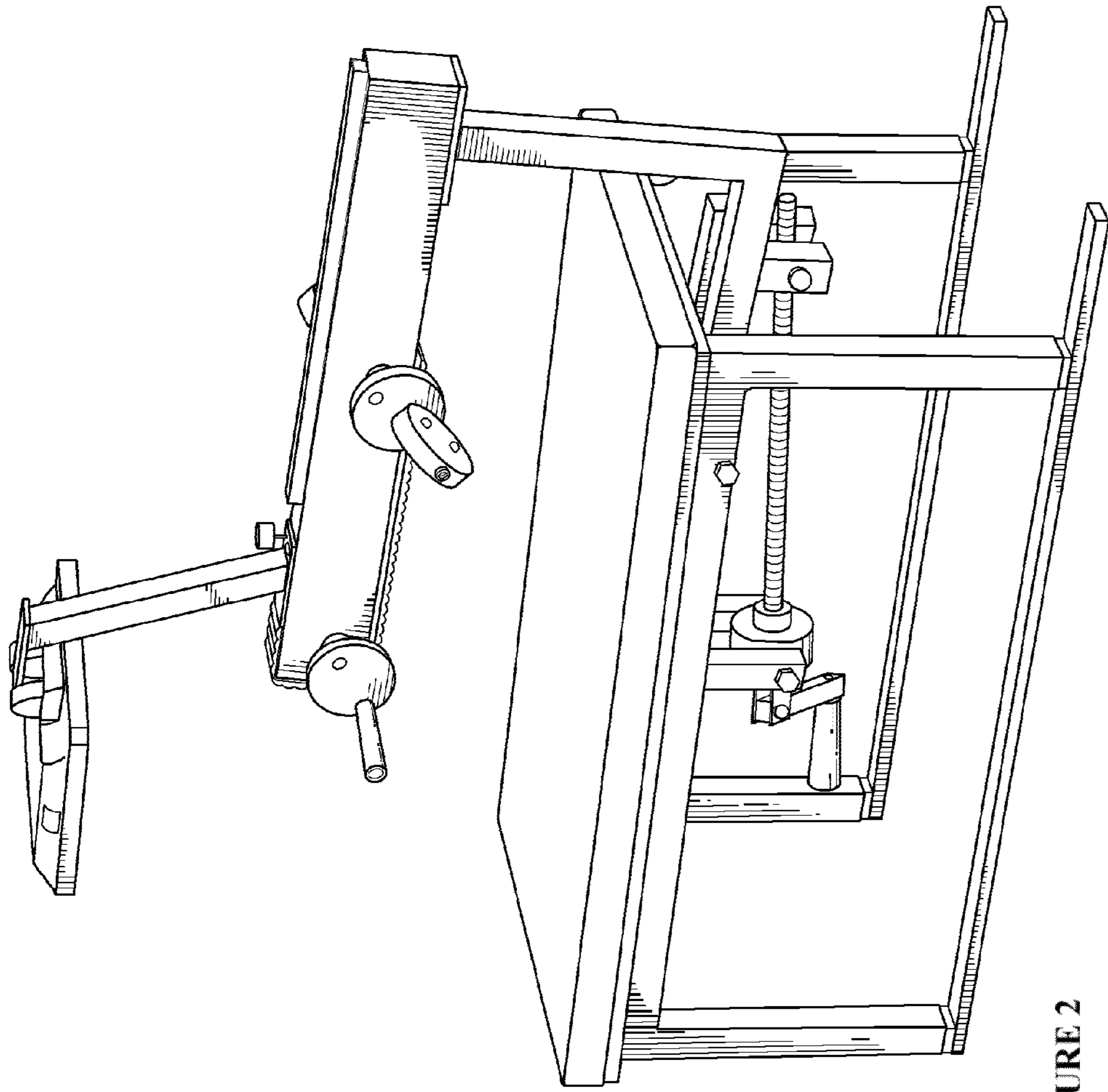


FIGURE 2

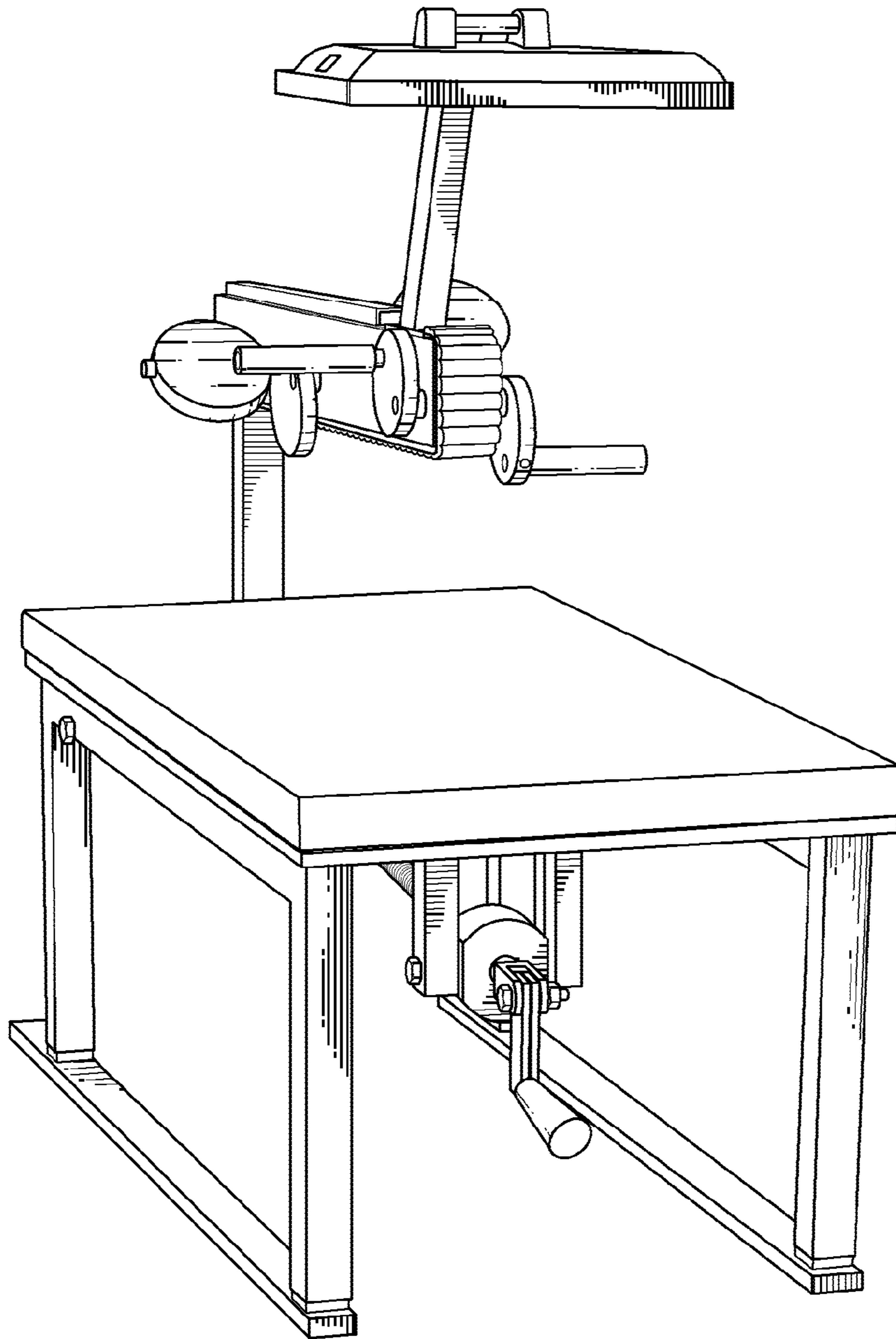


FIGURE 3