



US00D697561S

(12) **United States Design Patent**
Blount

(10) **Patent No.:** **US D697,561 S**
(45) **Date of Patent:** **** Jan. 14, 2014**

(54) **SHOE SHAPED KART**
(71) Applicant: **Annette Blount**, S Saint Paul, MN (US)
(72) Inventor: **Annette Blount**, S Saint Paul, MN (US)
(**) Term: **14 Years**

(21) Appl. No.: **29/443,651**
(22) Filed: **Jan. 21, 2013**
(51) **LOC (10) Cl.** **21-01**
(52) **U.S. Cl.**
USPC **D21/427**
(58) **Field of Classification Search**
USPC D21/419, 424, 425, 427, 428, 828,
D21/831-833; D12/87; 280/827
See application file for complete search history.

(56) **References Cited**
U.S. PATENT DOCUMENTS

D257,683	S	*	12/1980	Appel et al.	D21/427
D263,246	S	*	3/1982	Pollitt	D21/428
D319,680	S	*	9/1991	Reda	D21/831
D320,061	S	*	9/1991	Reda	D21/831
6,170,596	B1		1/2001	Triarsi et al.		

6,349,786	B1		2/2002	Gift		
6,749,039	B1		6/2004	Uphaus		
7,438,148	B1		10/2008	Crea		
D682,739	S	*	5/2013	Patterson et al.	D12/87
2011/0042912	A1		2/2011	Kermani		

* cited by examiner

Primary Examiner — Cynthia M Chin

(74) *Attorney, Agent, or Firm* — Daniel Boudwin; Global International Property Agency LLC

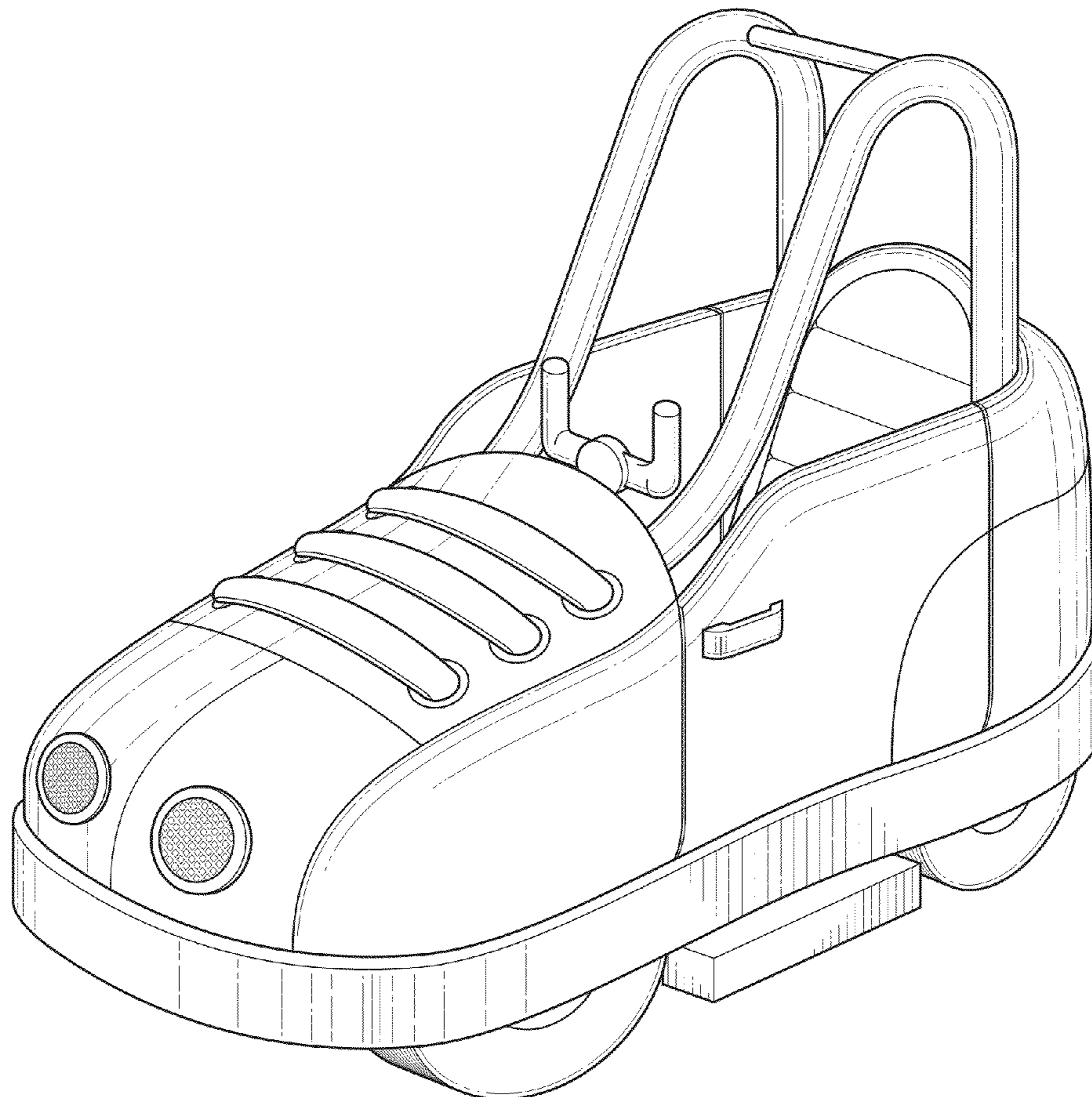
(57) **CLAIM**

The ornamental design for a shoe shaped kart, as shown and described.

DESCRIPTION

FIG. 1 is a side perspective view of the present invention.
FIG. 2 is a side view of the present invention.
FIG. 3 is an opposite side view of the present invention.
FIG. 4 is a front view of the present invention.
FIG. 5 is a back view of the present invention.
FIG. 6 is a top view of the present invention; and,
FIG. 7 is a bottom view of the present invention.

1 Claim, 4 Drawing Sheets



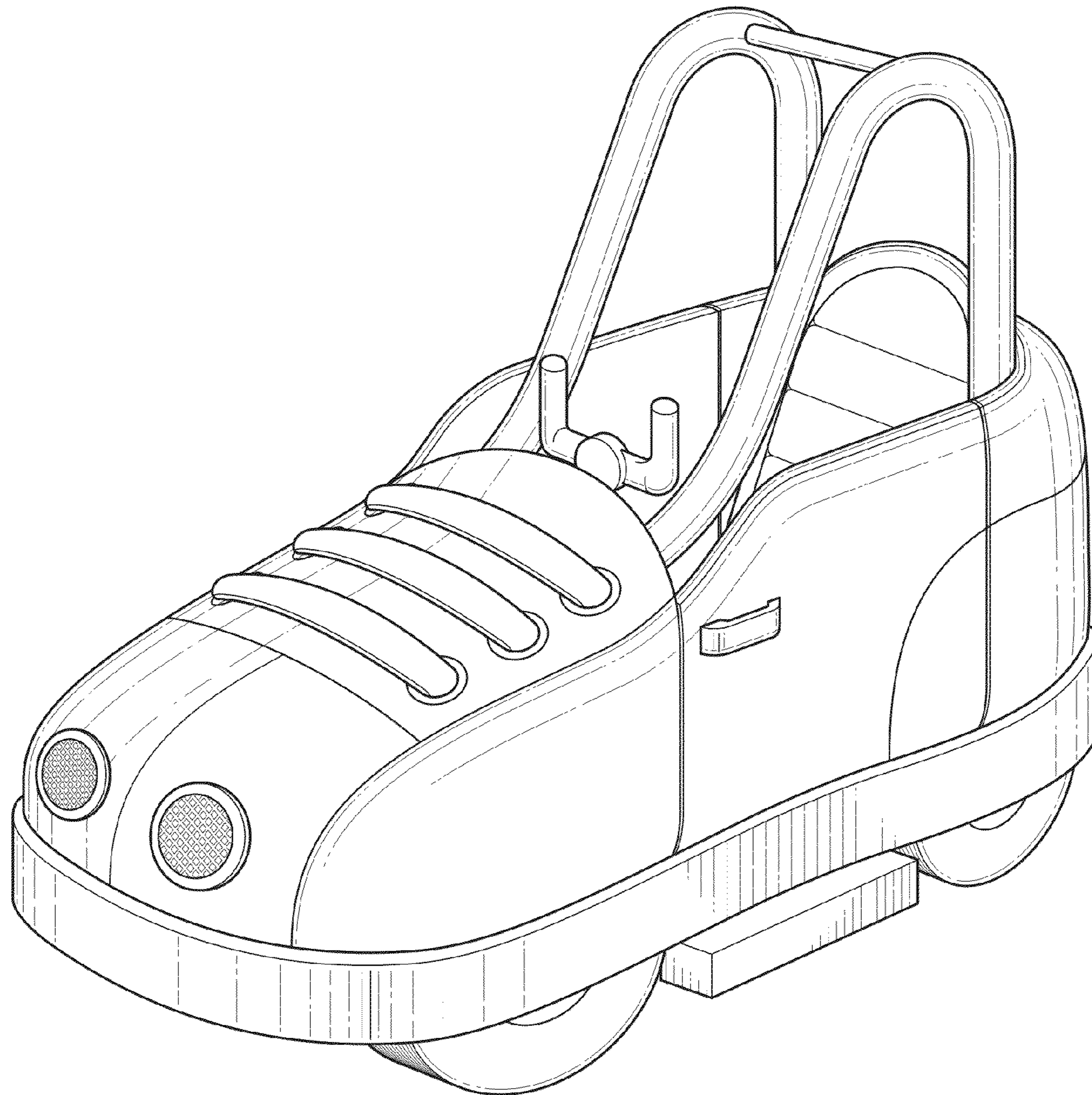


FIG. 1

FIG. 2

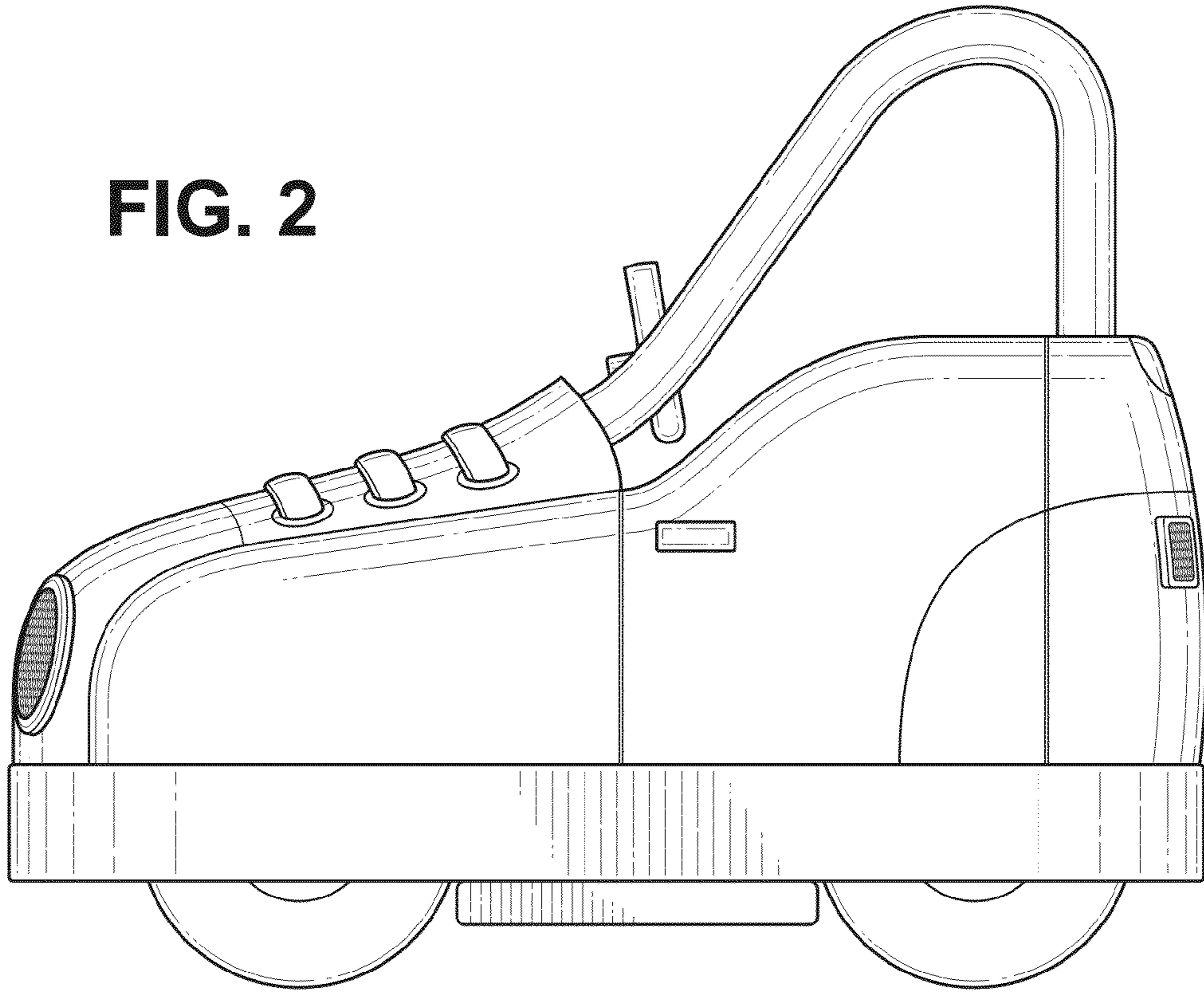
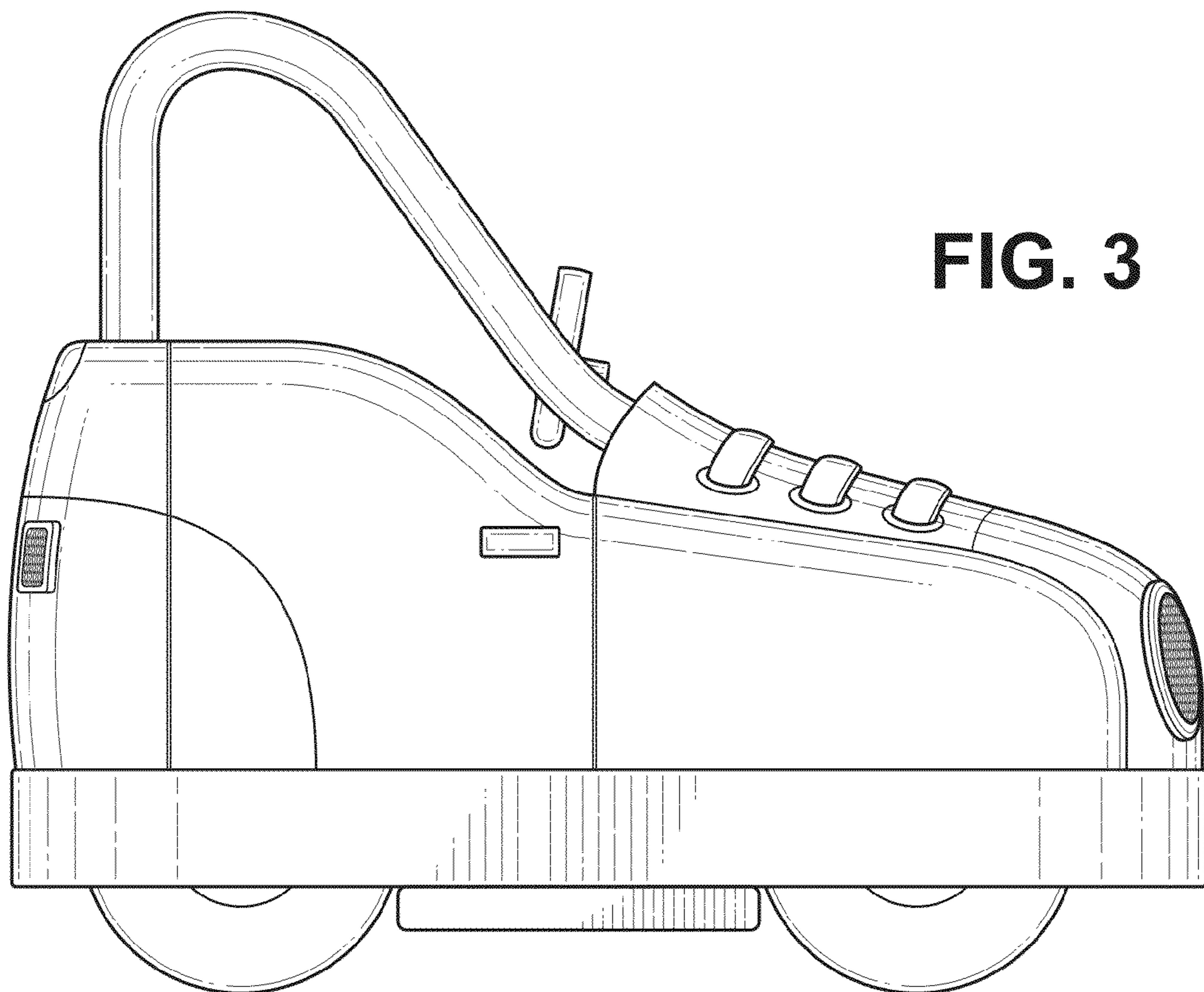


FIG. 3



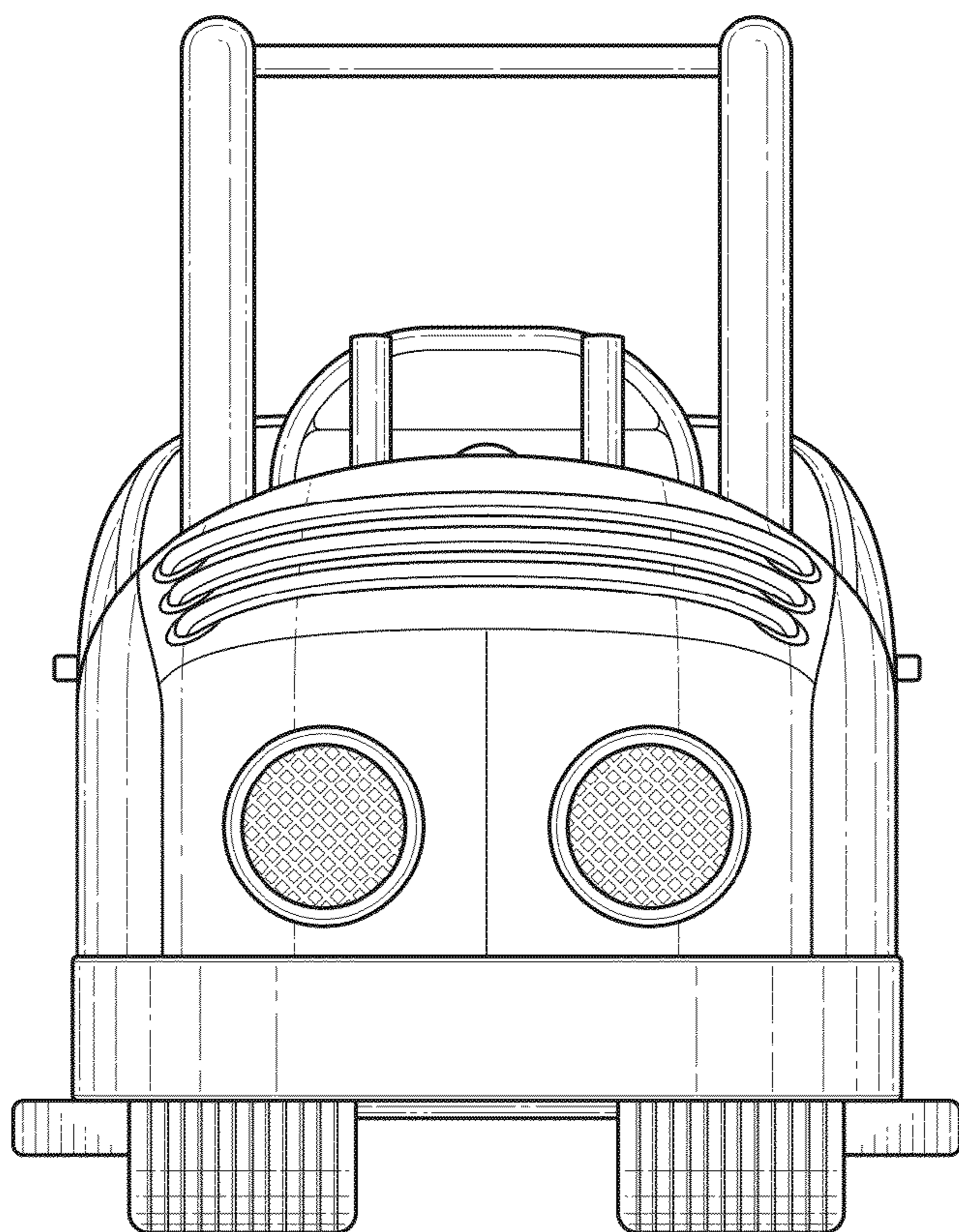


FIG. 4

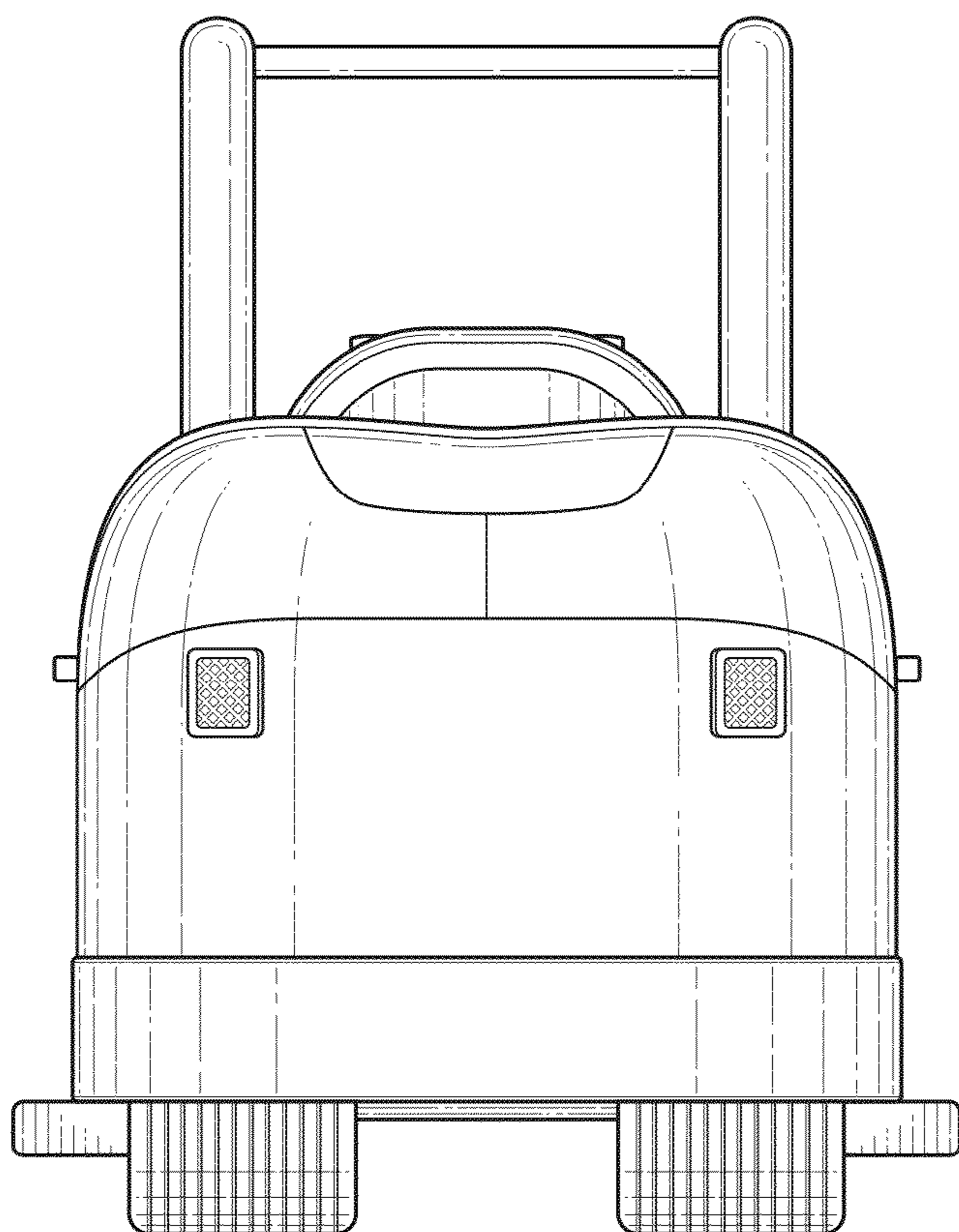


FIG. 5

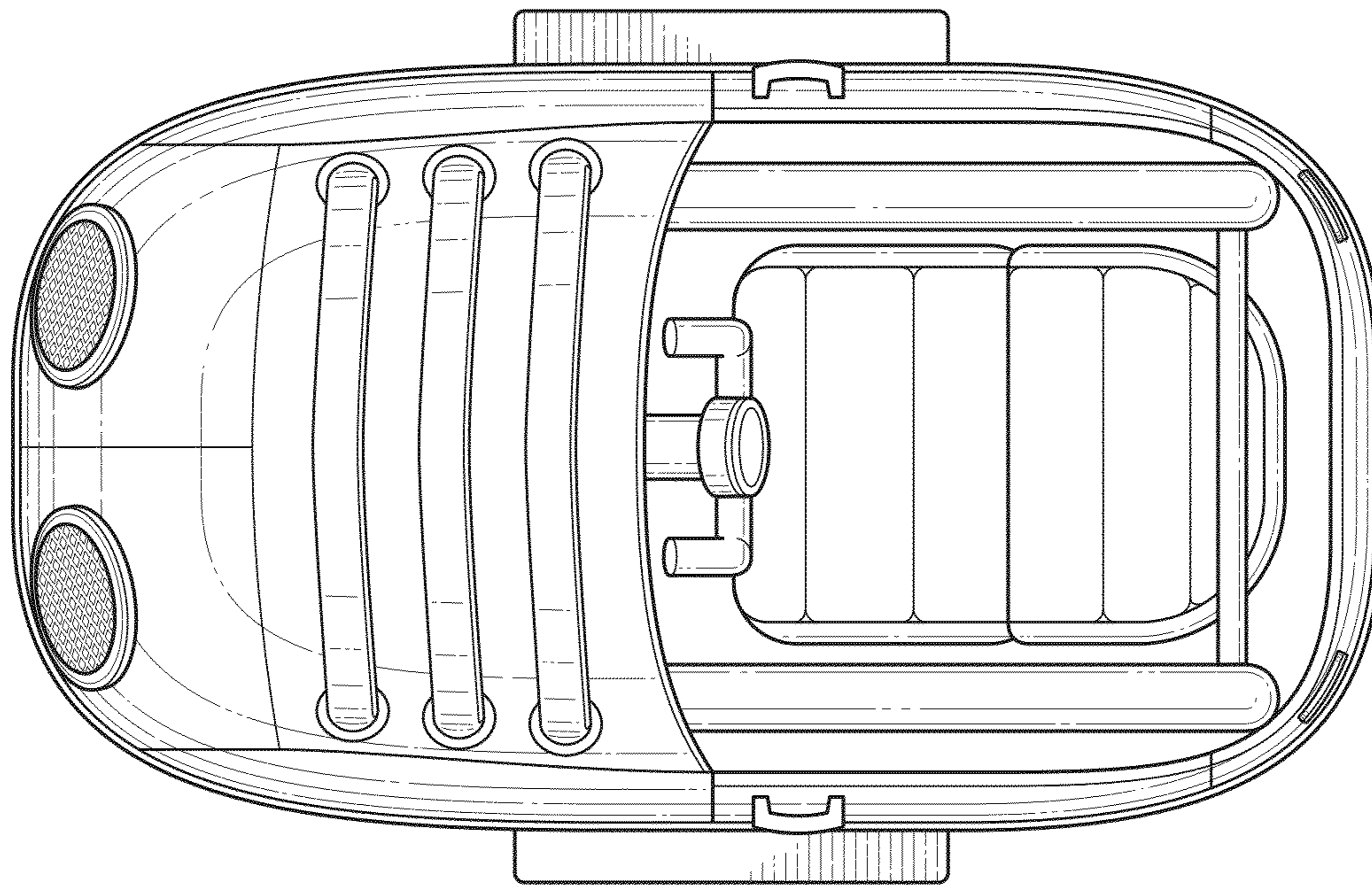


FIG. 6

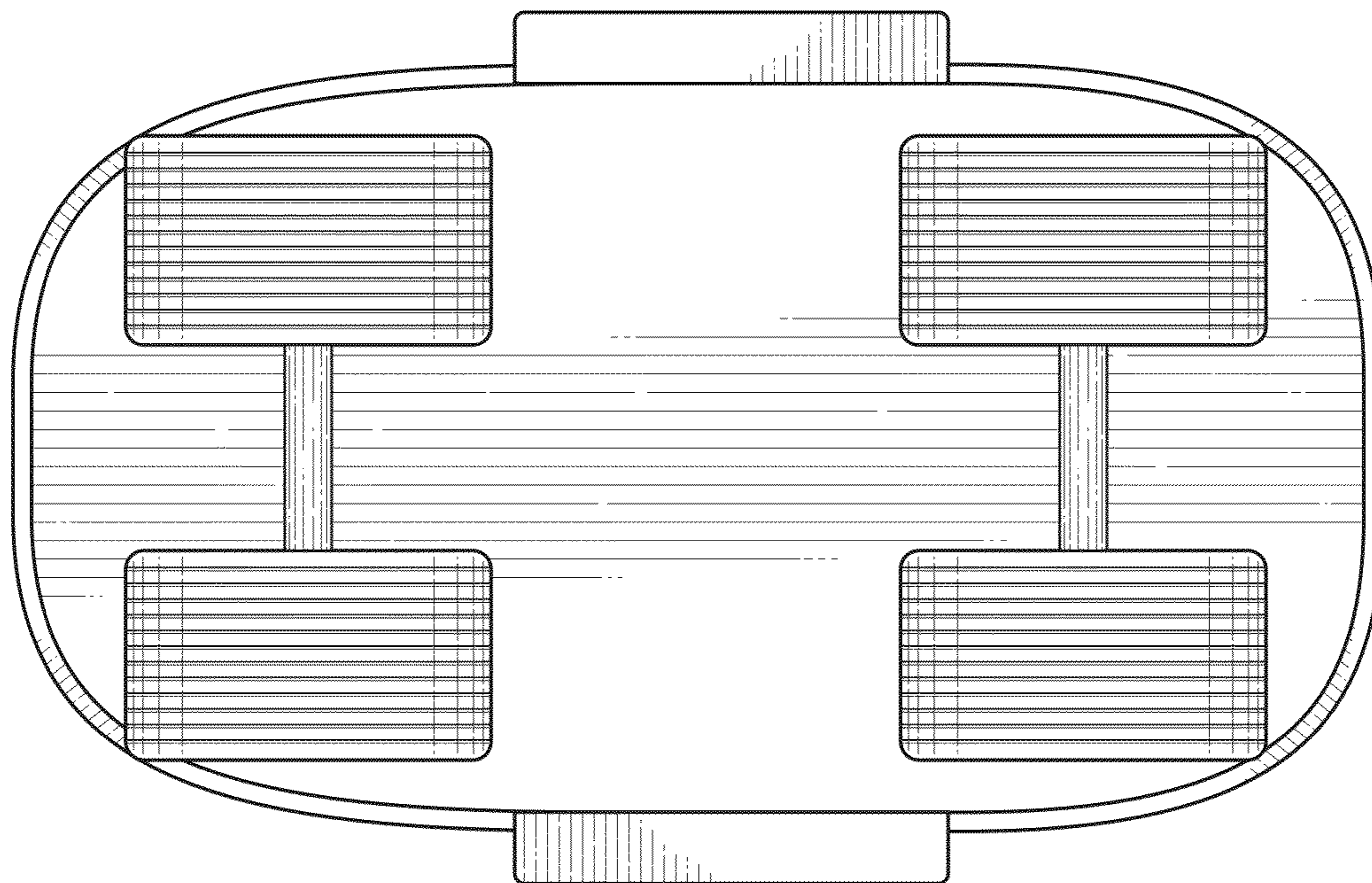


FIG. 7