



US00D697560S

(12) **United States Design Patent**  
**Miller**

(10) **Patent No.:** **US D697,560 S**

(45) **Date of Patent:** **\*\* Jan. 14, 2014**

(54) **SET OF GAME PIECES**

(75) Inventor: **Paul Miller**, Gotha, FL (US)

(73) Assignee: **X Plus Products, Inc.**, Bradenton, FL (US)

(\*\*) Term: **14 Years**

(21) Appl. No.: **29/404,758**

(22) Filed: **Oct. 25, 2011**

(51) **LOC (10) Cl.** ..... **21-01**

(52) **U.S. Cl.**  
USPC ..... **D21/386**

(58) **Field of Classification Search**  
USPC ..... D21/307–208, 334–368, 376–397;  
273/236–287, 288–291; D8/395, 384,  
D8/349, 382, 354, 300; 473/569; D19/62;  
D24/214; 324/658; D13/182

See application file for complete search history.

(56) **References Cited**

**U.S. PATENT DOCUMENTS**

1,522,306	A *	1/1925	Lewis	.....	473/569
2,052,797	A *	9/1936	Read	.....	273/288
D199,440	S *	10/1964	Jones et al.	.....	D19/62
D234,707	S *	4/1975	Vennola et al.	.....	D21/386
D285,116	S *	8/1986	Hoff	.....	D24/214
D326,722	S *	6/1992	Sue	.....	D24/214
D443,496	S *	6/2001	DeCosse	.....	D8/300
D548,850	S *	8/2007	Gladioux, III	.....	D24/214
D607,116	S *	12/2009	Morganstern	.....	D24/214
8,070,162	B1 *	12/2011	Butcher	.....	273/272
D681,572	S *	5/2013	Omori et al.	.....	D13/182
2009/0322352	A1 *	12/2009	Zachut et al.	.....	324/658

\* cited by examiner

*Primary Examiner* — George D Kirschbaum

(74) *Attorney, Agent, or Firm* — McKinney Law, PLLC

(57) **CLAIM**

The ornamental design for a set of game pieces, as shown and described.

**DESCRIPTION**

FIG. 1 is a side elevational view of the of a platform base game piece showing my new design, the opposite side being a mirror image;

FIG. 2 is a top view of the platform base game piece;

FIG. 3 is a bottom view of the platform base game piece;

FIG. 4 is a side elevational view of an aerial platform base game piece, the opposite side being a mirror image;

FIG. 5 is a front elevational view of the aerial platform base game piece;

FIG. 6 is a rear elevational view of the aerial platform base game piece;

FIG. 7 is a top view of the aerial platform base game piece;

FIG. 8 is a bottom view of the aerial platform base game piece;

FIG. 9 is a side elevational view of the platform base game piece;

FIG. 10 is a side elevational view of two platform base game pieces, shown in an alternate stacked position;

FIG. 11 is a side elevational view of the platform game piece;

FIG. 12 is a side elevational view of two platform base game pieces, shown in an alternate stacked position;

FIG. 13 is a side elevational view of the platform base game piece;

FIG. 14 is a side elevational view of the platform game piece;

FIG. 15 is a side elevational view of the aerial platform base game piece;

FIG. 16 is a side elevational view of the aerial platform piece; and,

FIG. 17 is a side elevational view of two aerial base game pieces, shown in an alternate stacked position.

The broken line showing of an amphibian military, king amphibian military, commander, destroyer, tank, submarine, helicopter, fighter, and bomber game pieces is included for the purpose of illustrating portions of the “article” and forms no part of the claimed design.

**1 Claim, 4 Drawing Sheets**

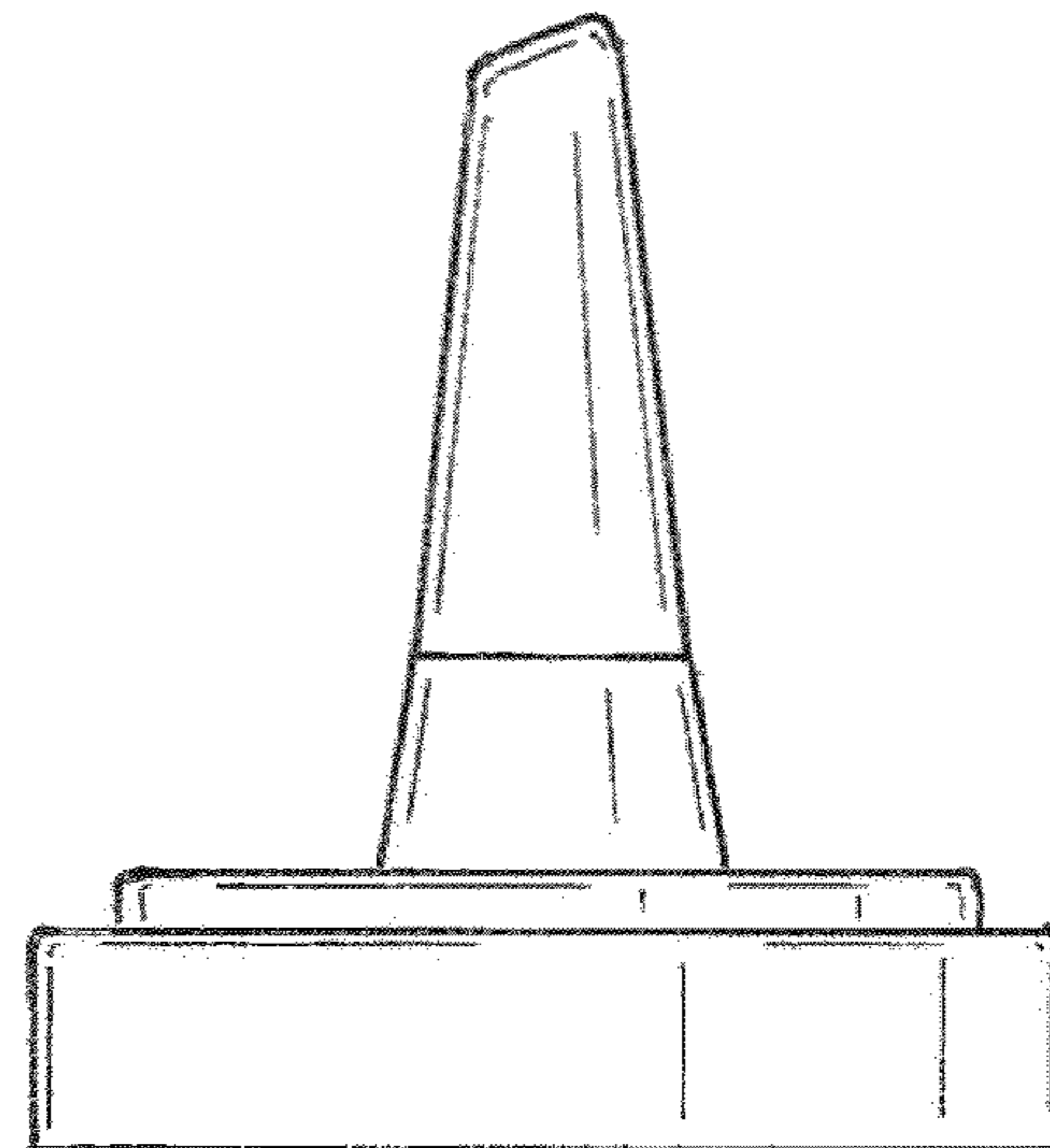
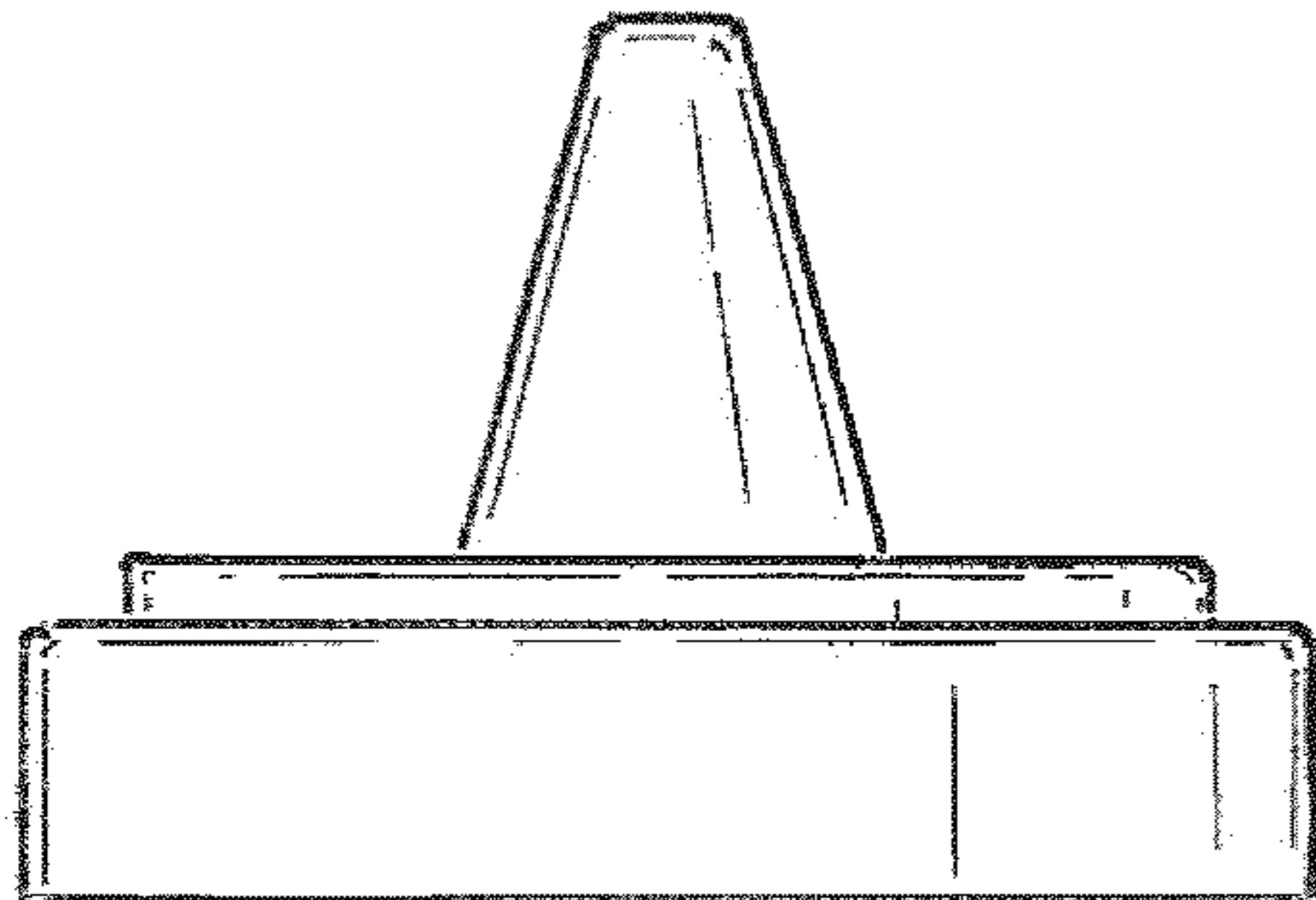


FIG. 1

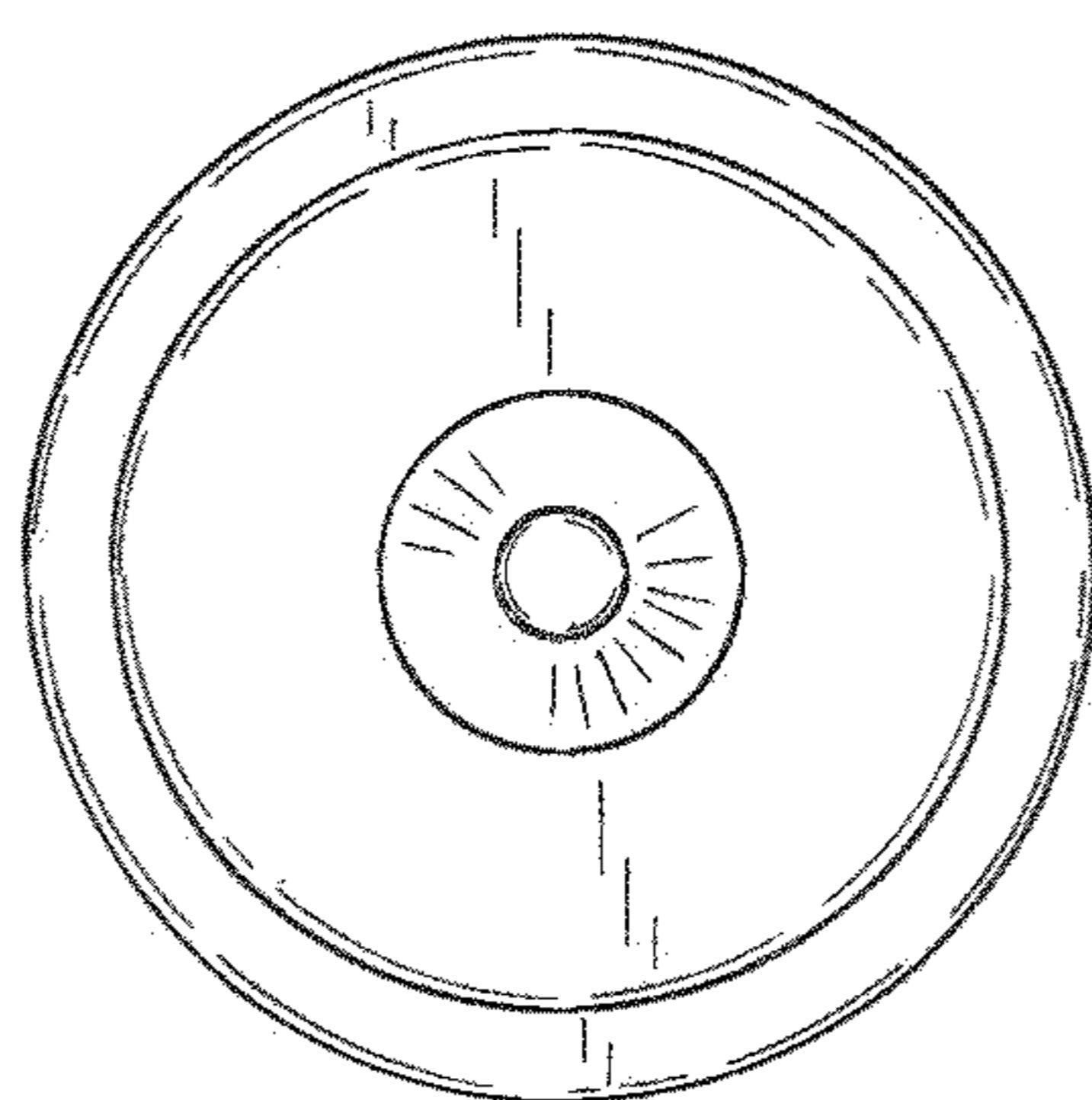
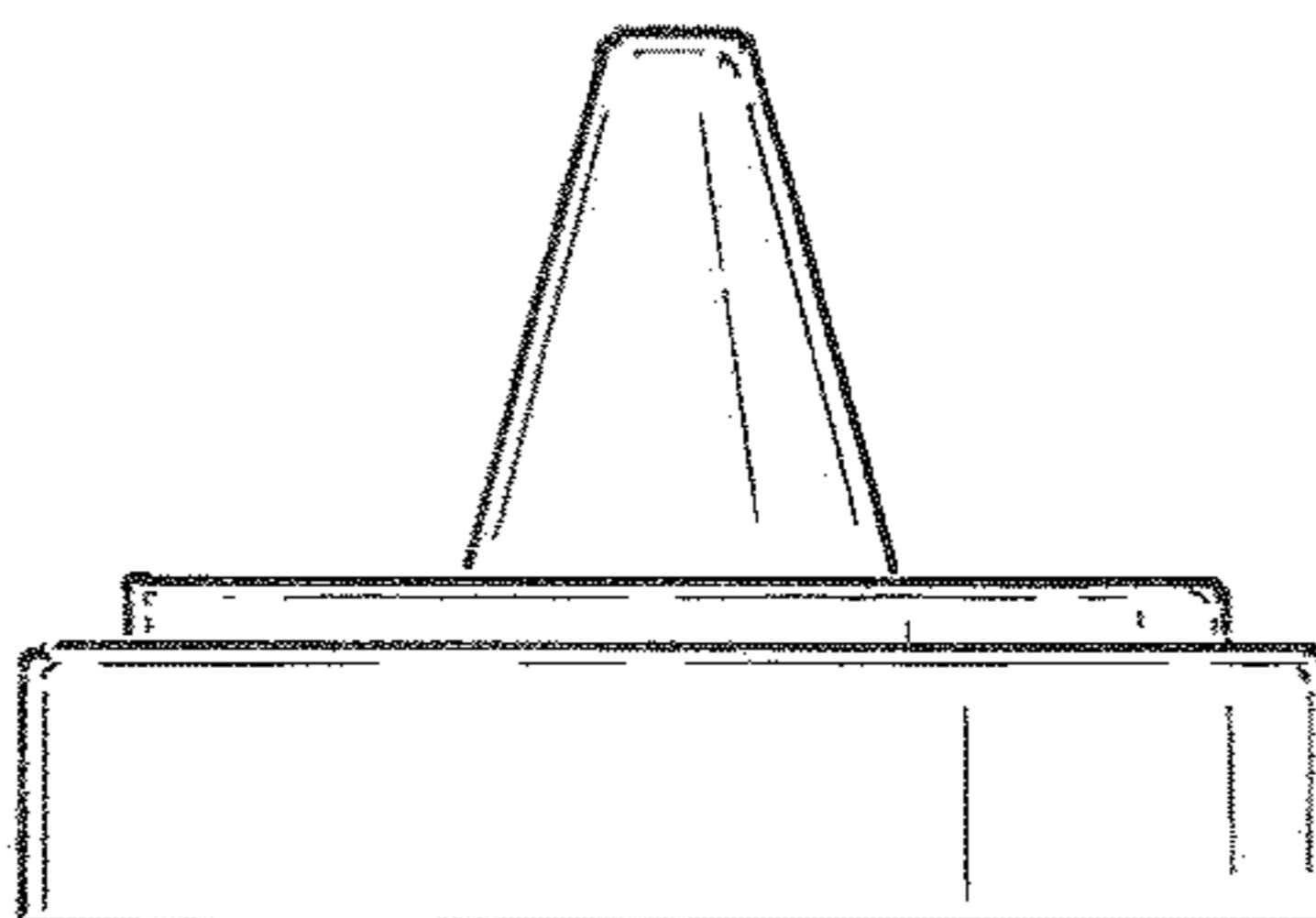


FIG. 2

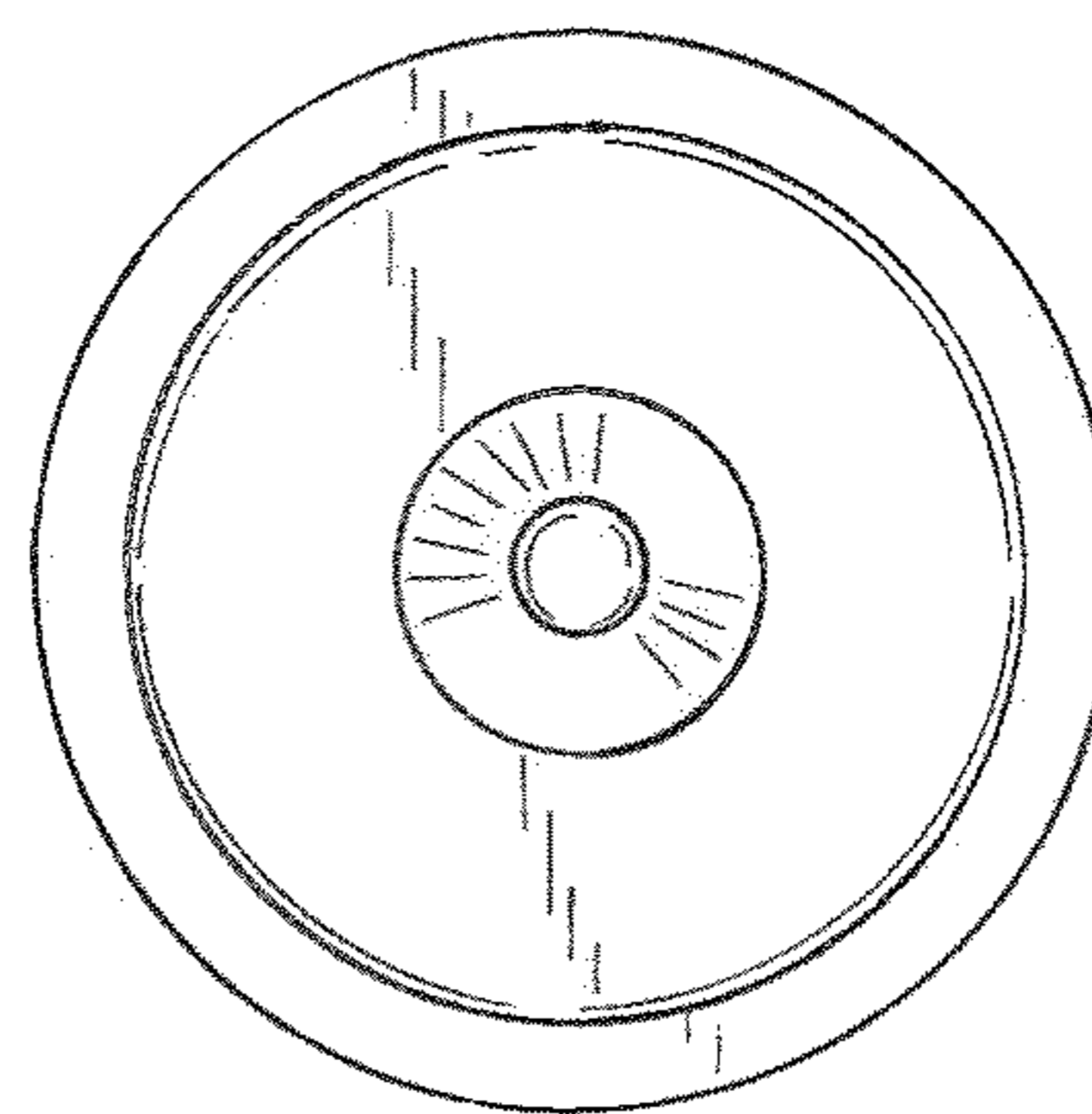


FIG. 3

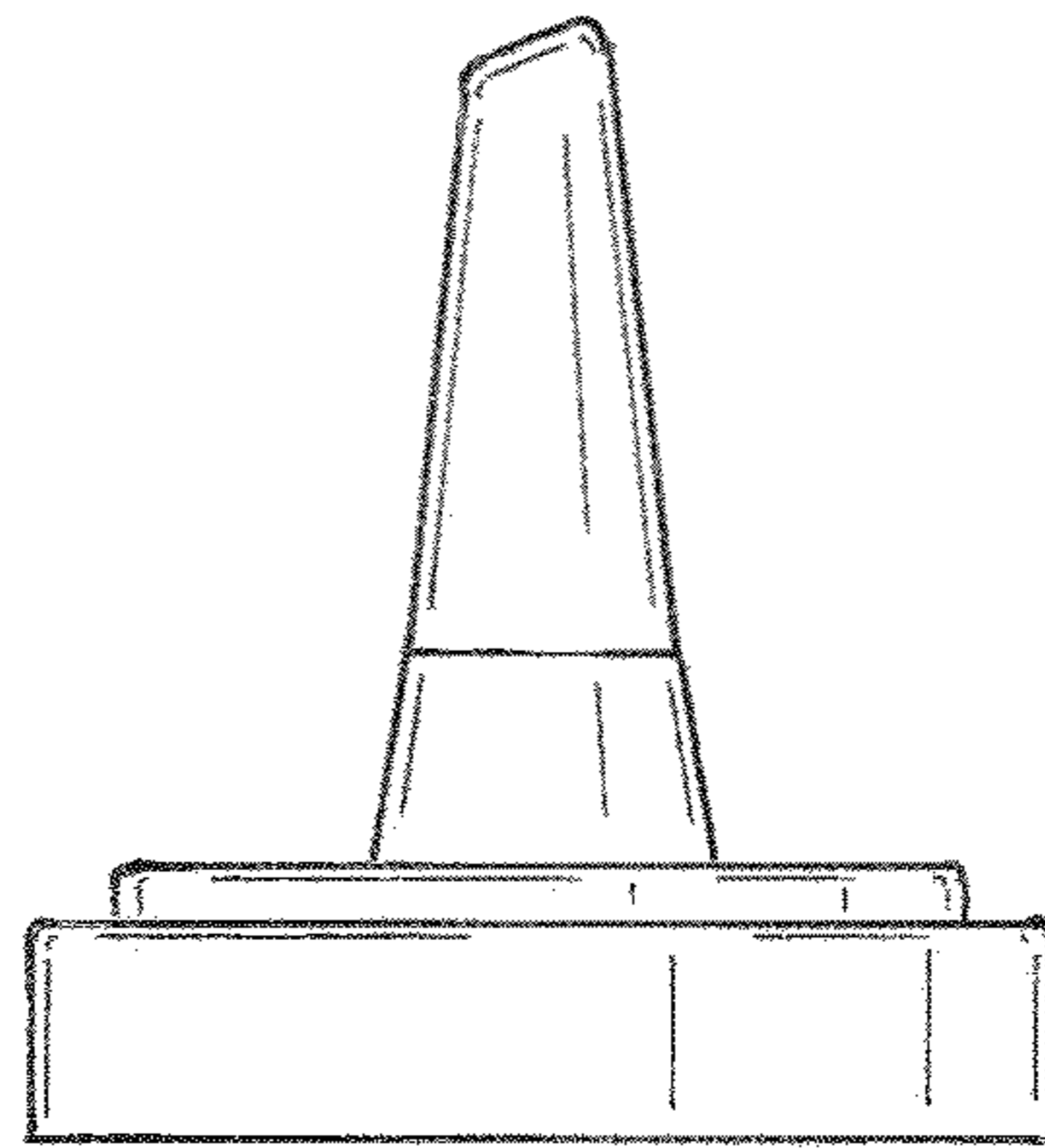


FIG. 4

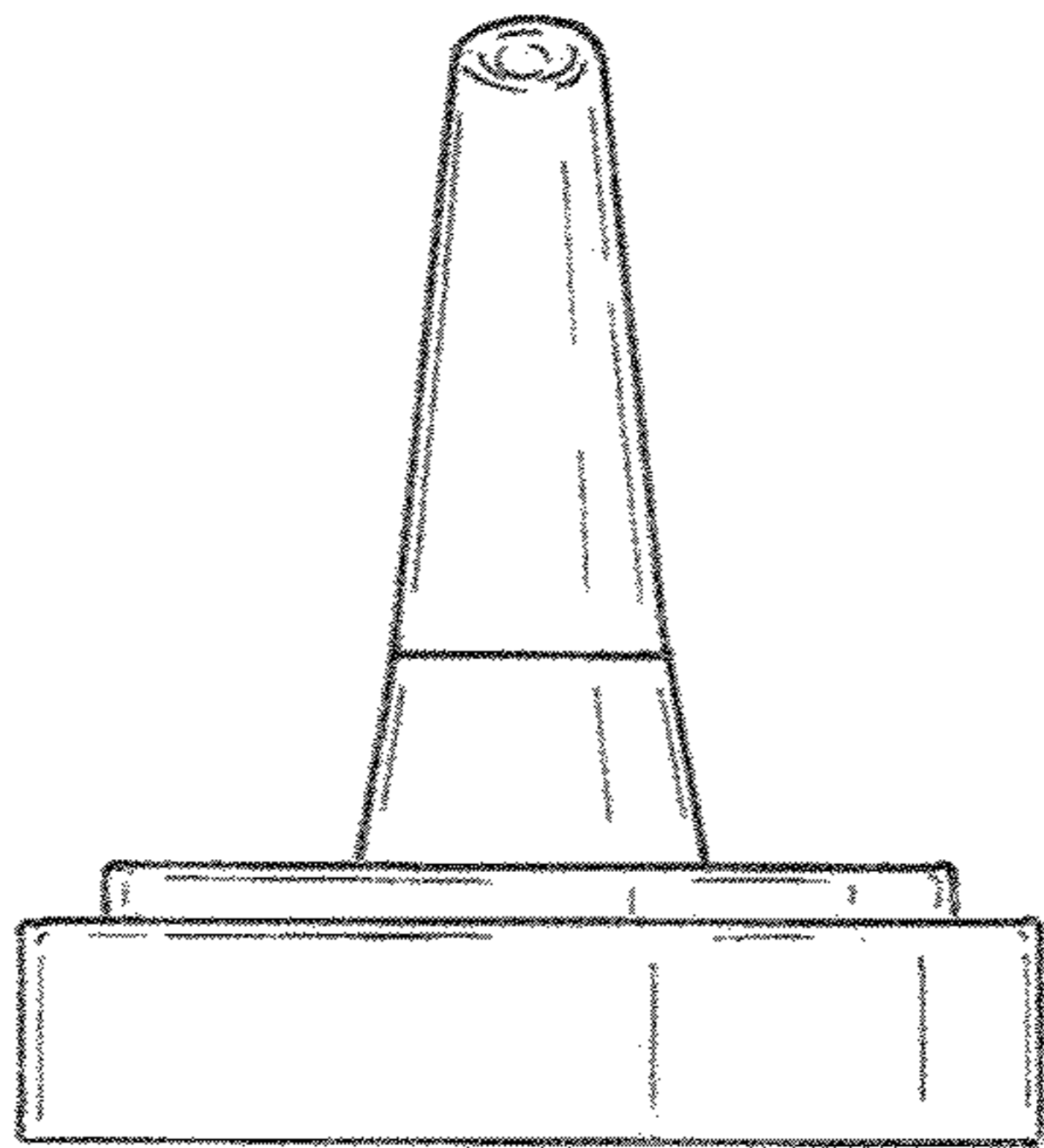


FIG. 5

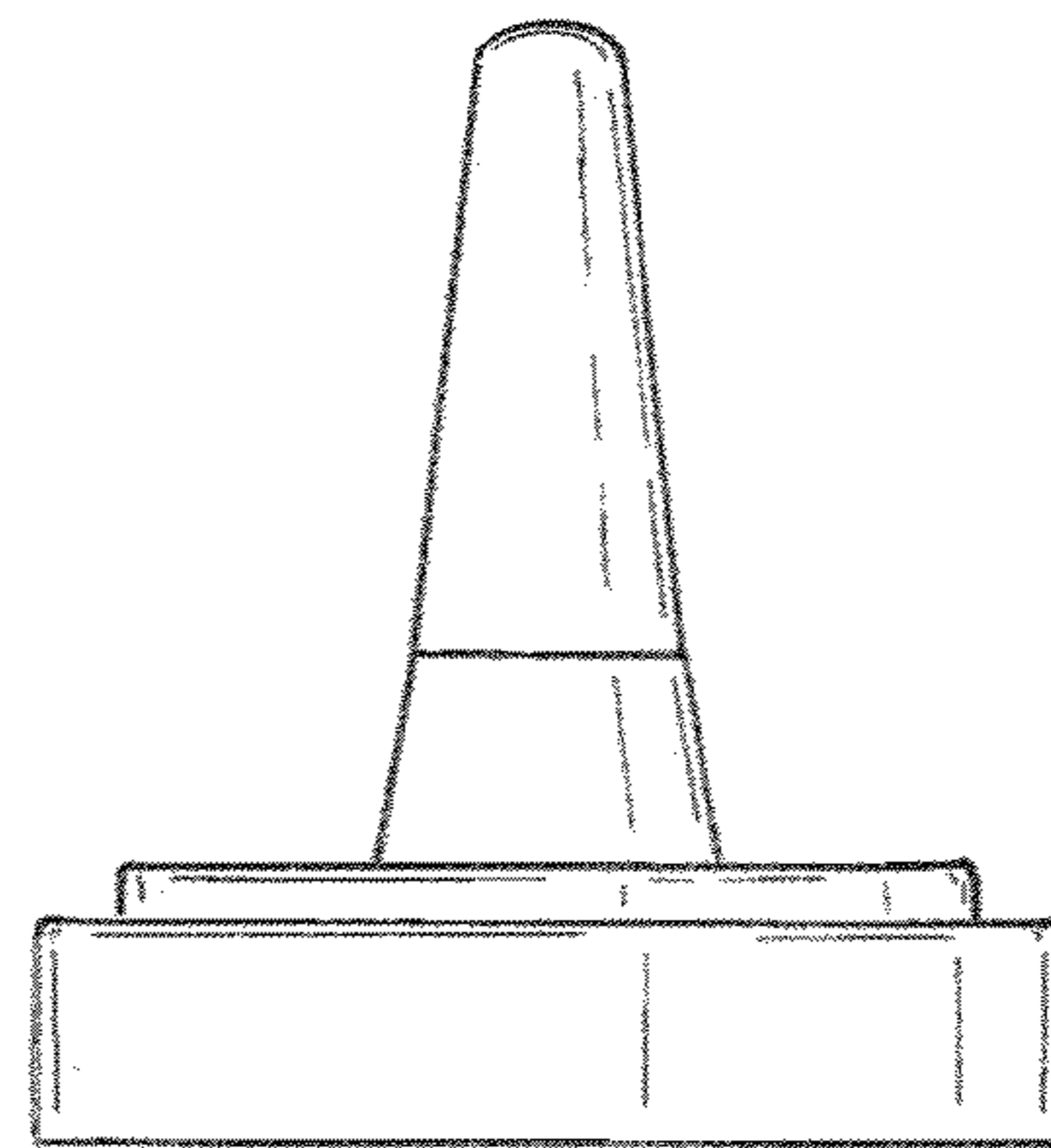


FIG. 6

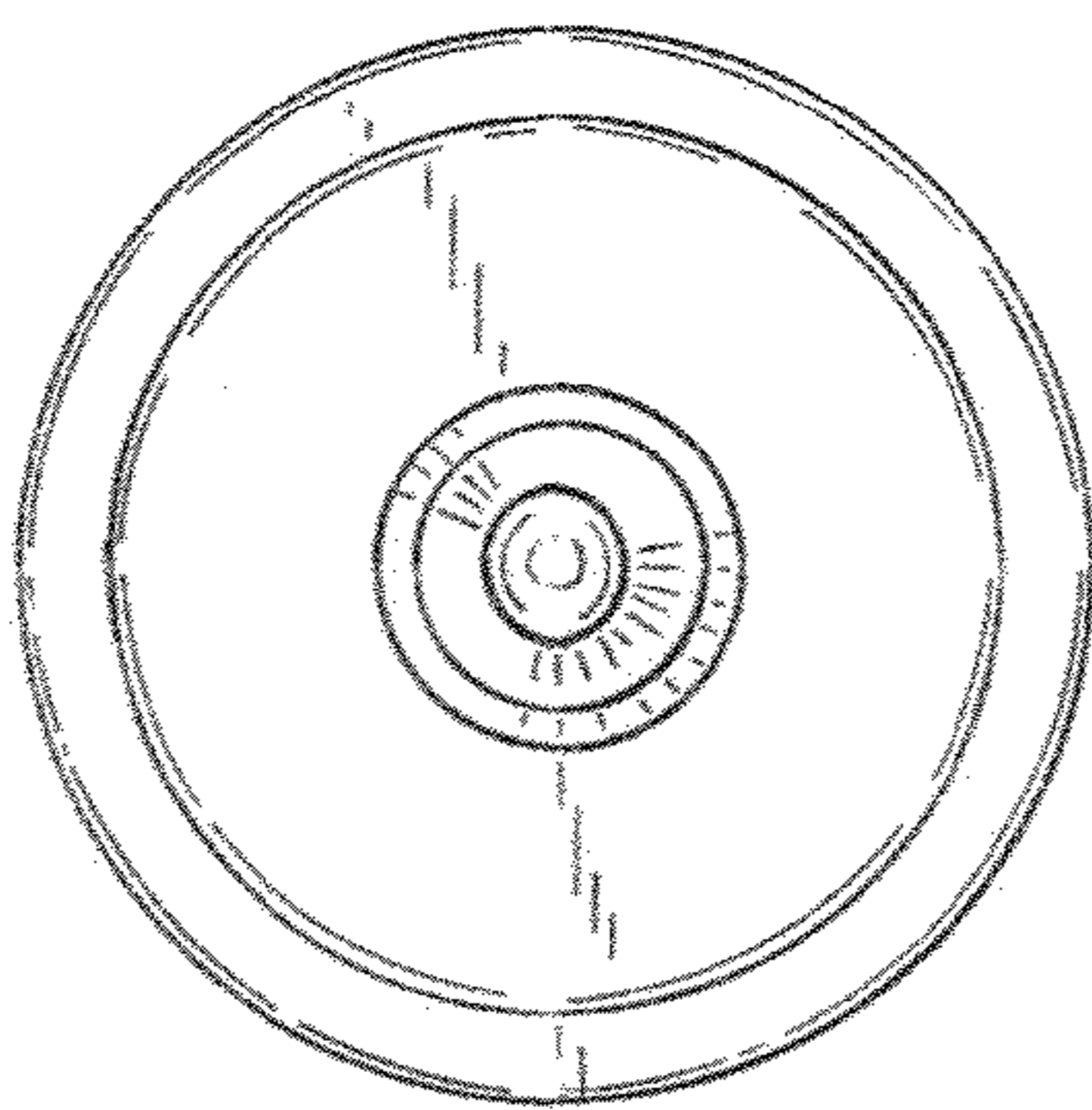


FIG. 7

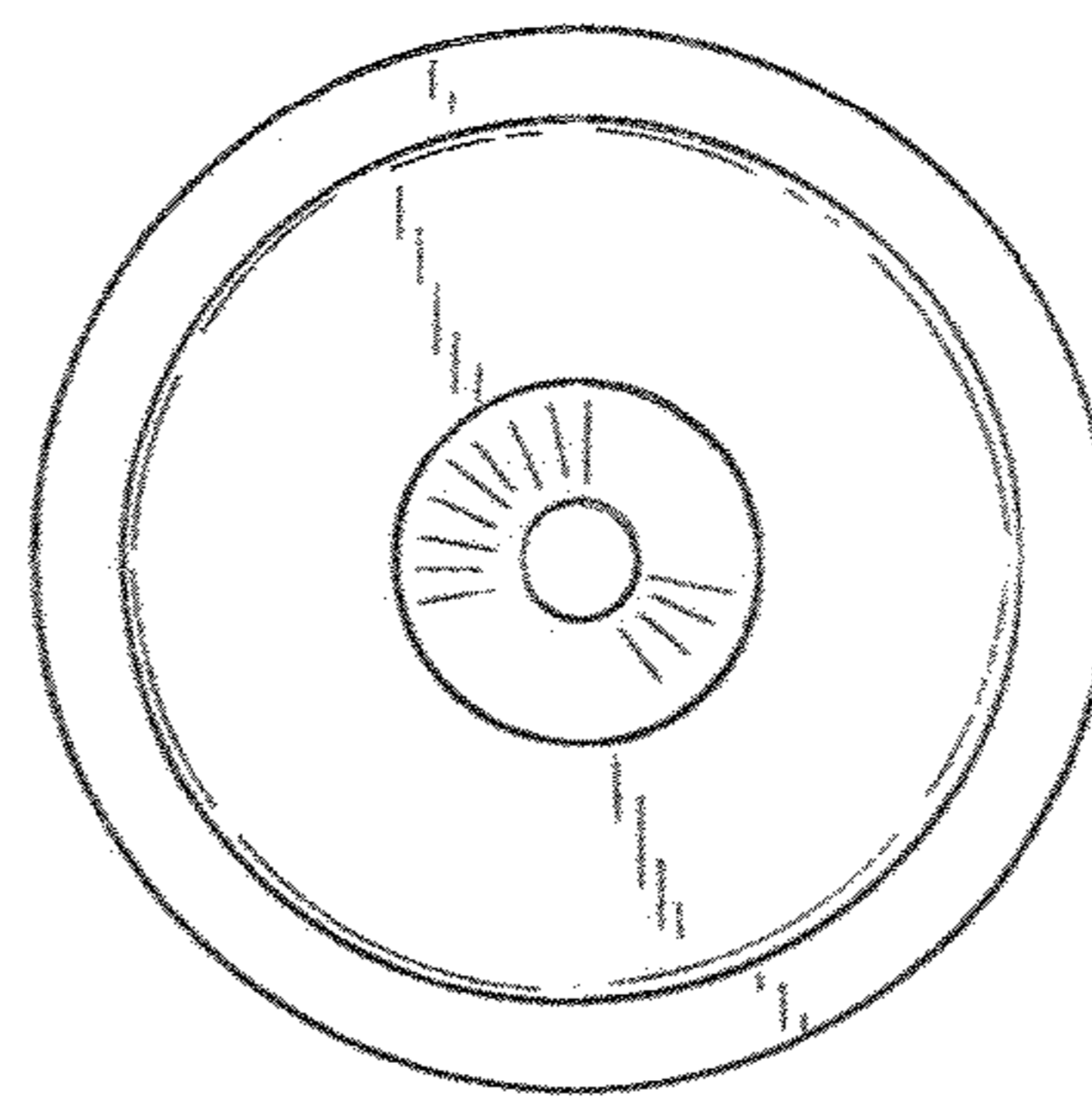


FIG. 8

FIG. 9

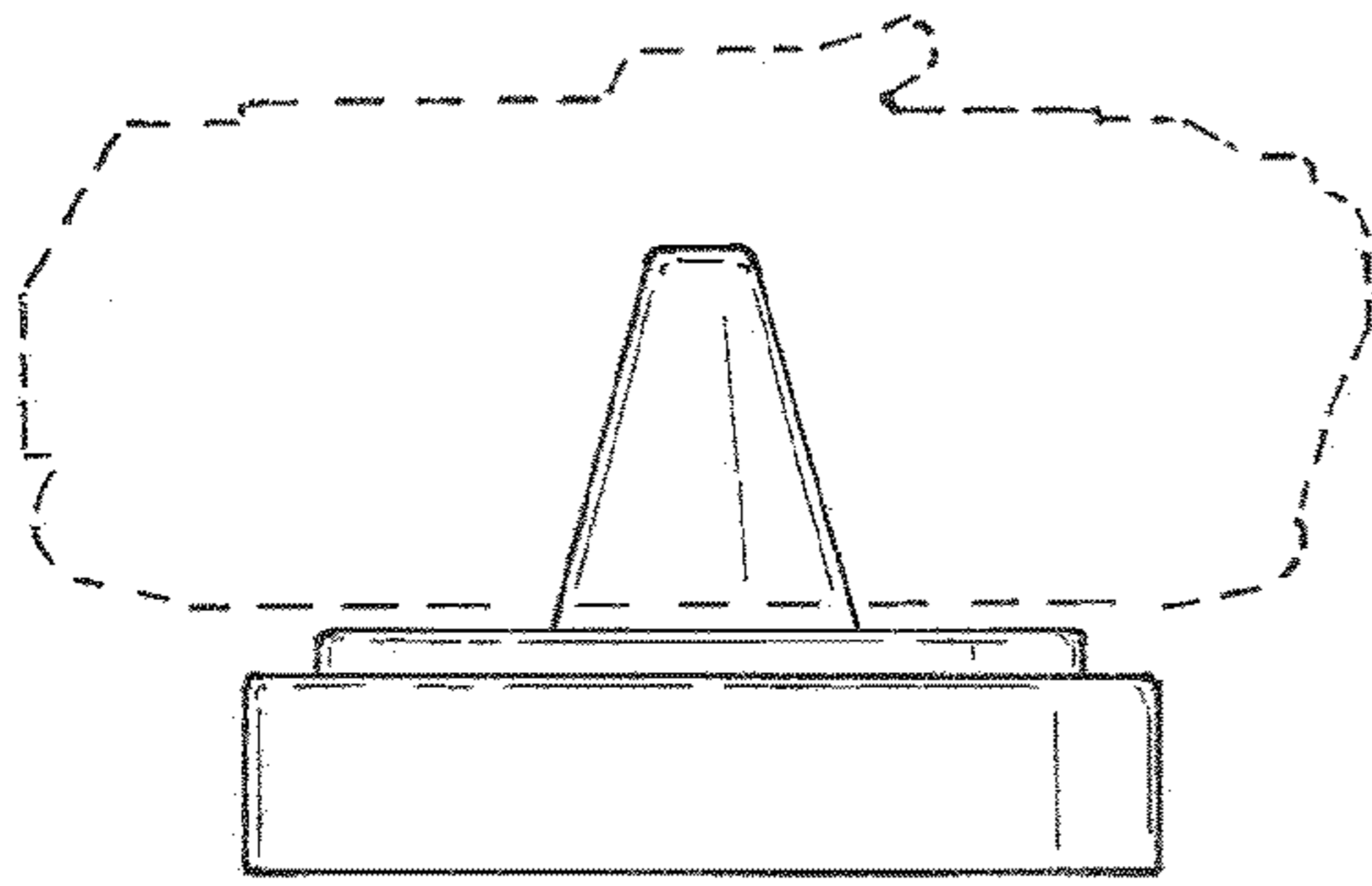


FIG. 10

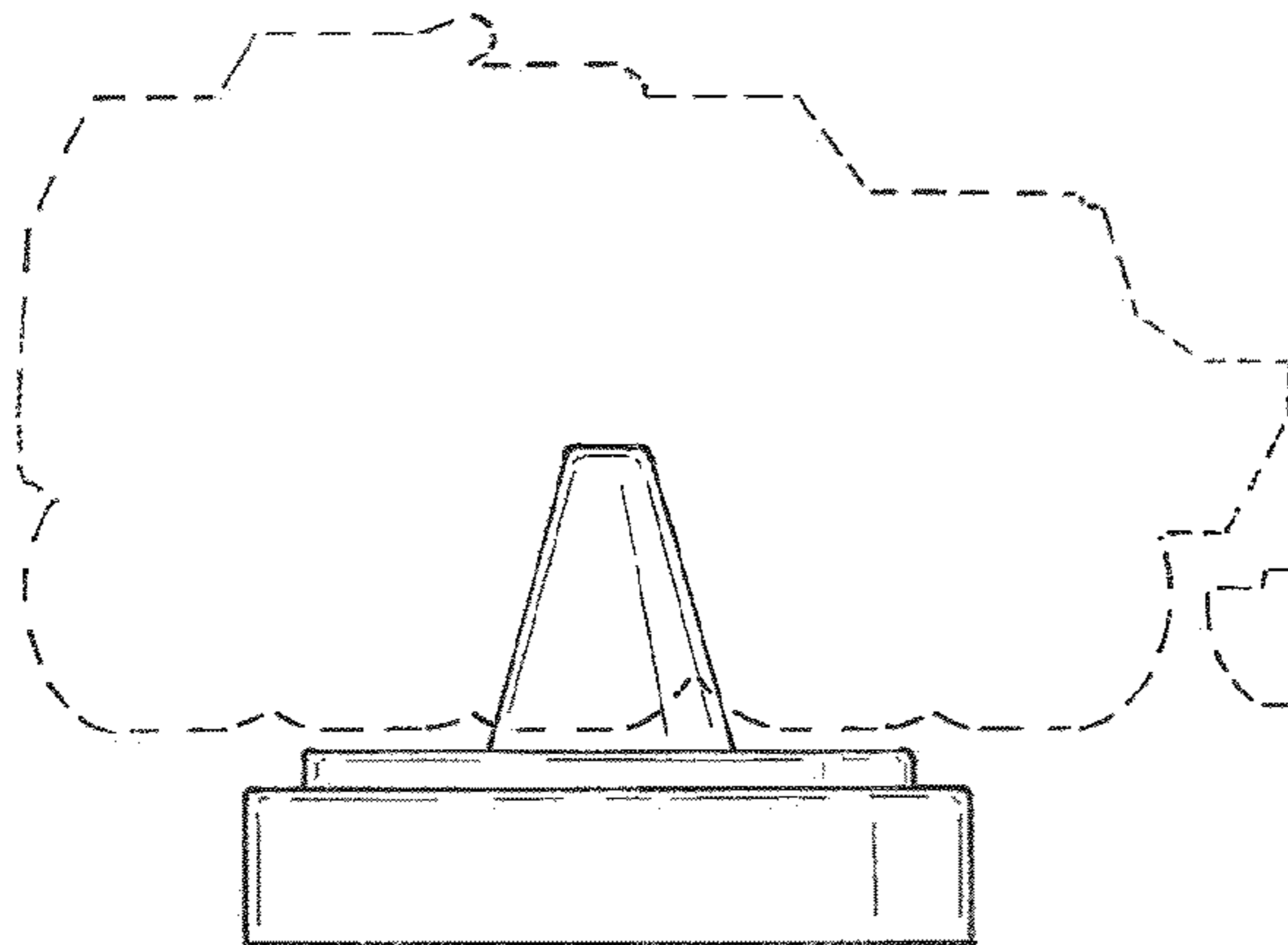
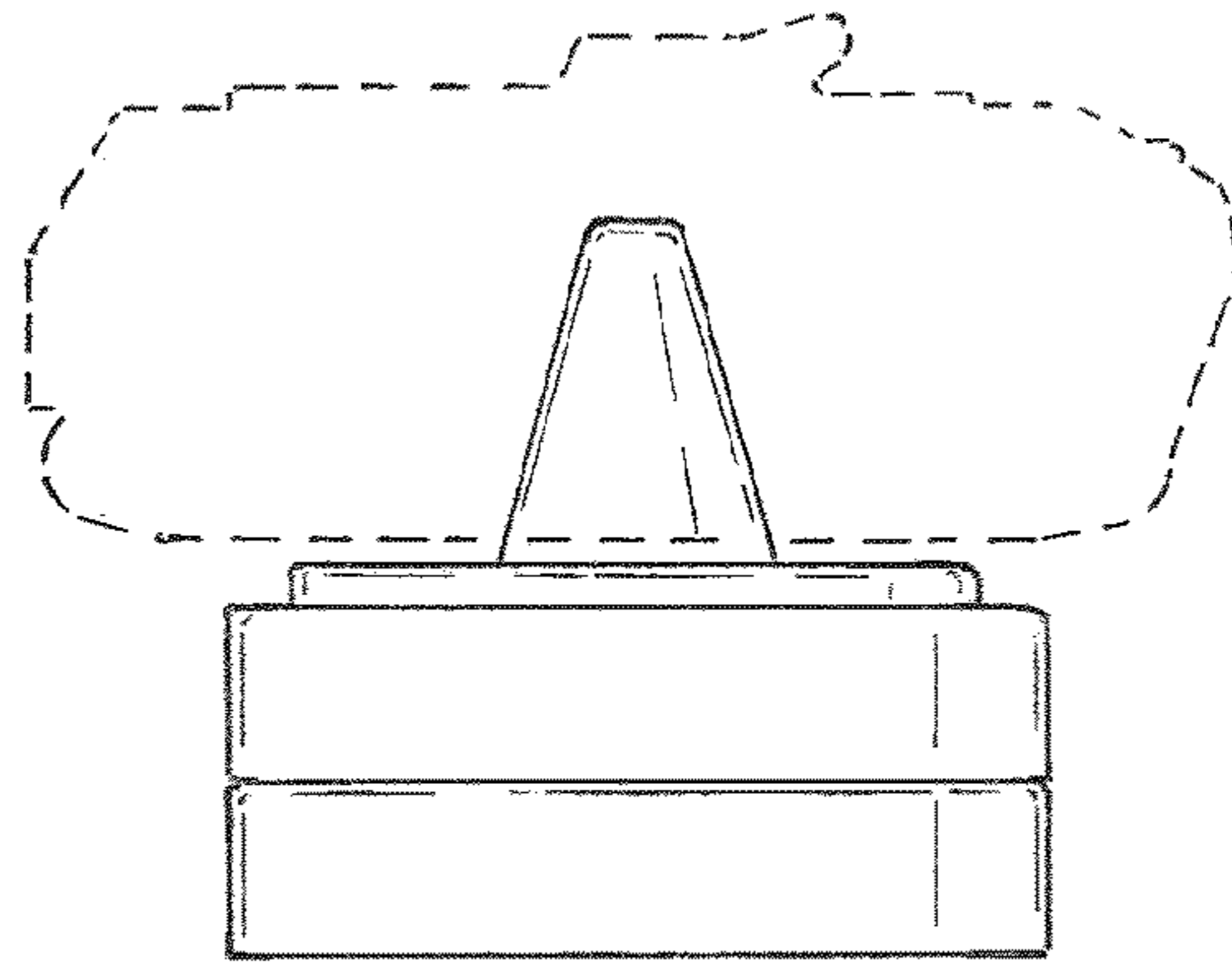


FIG. 11

FIG. 12

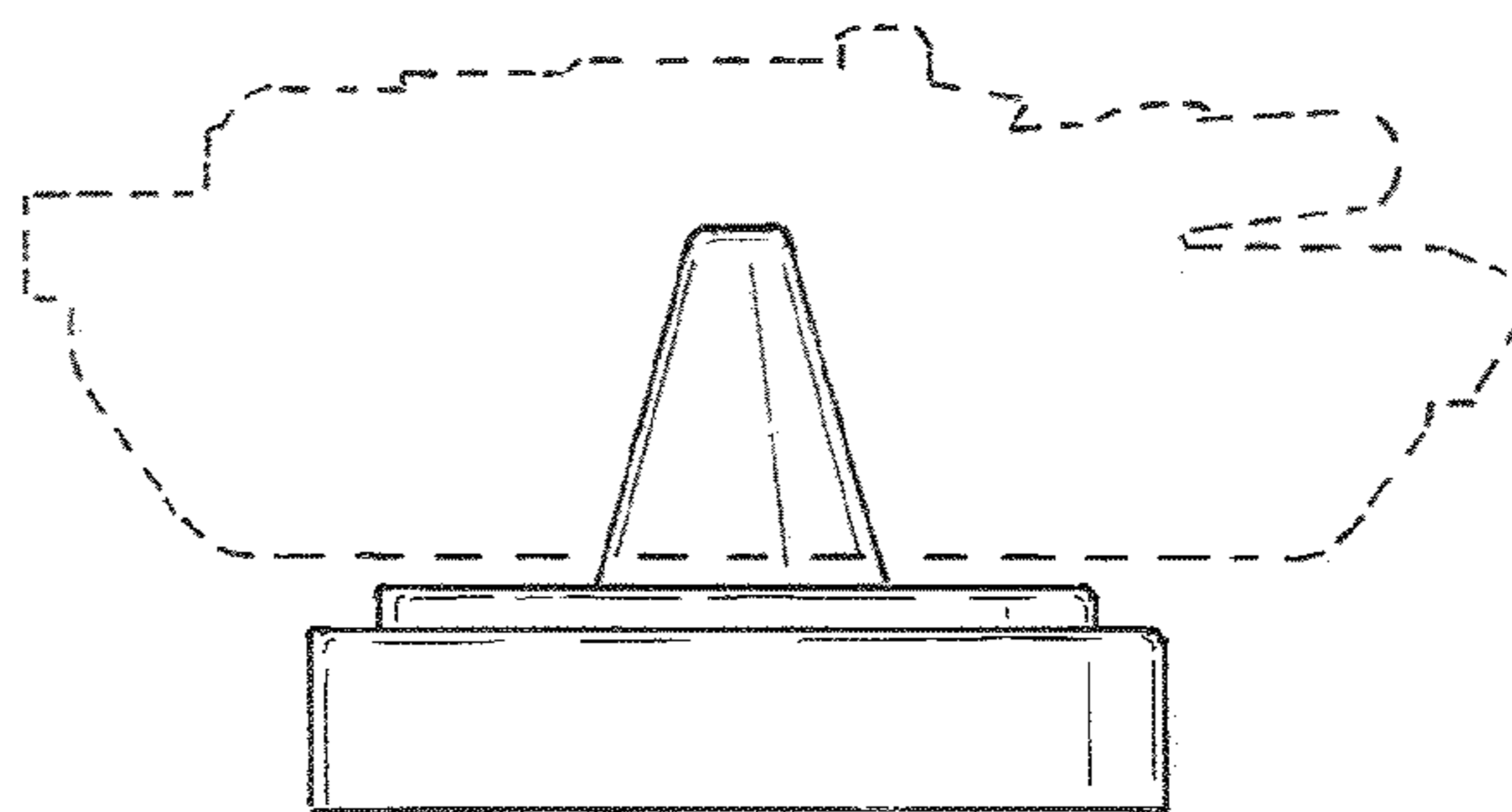
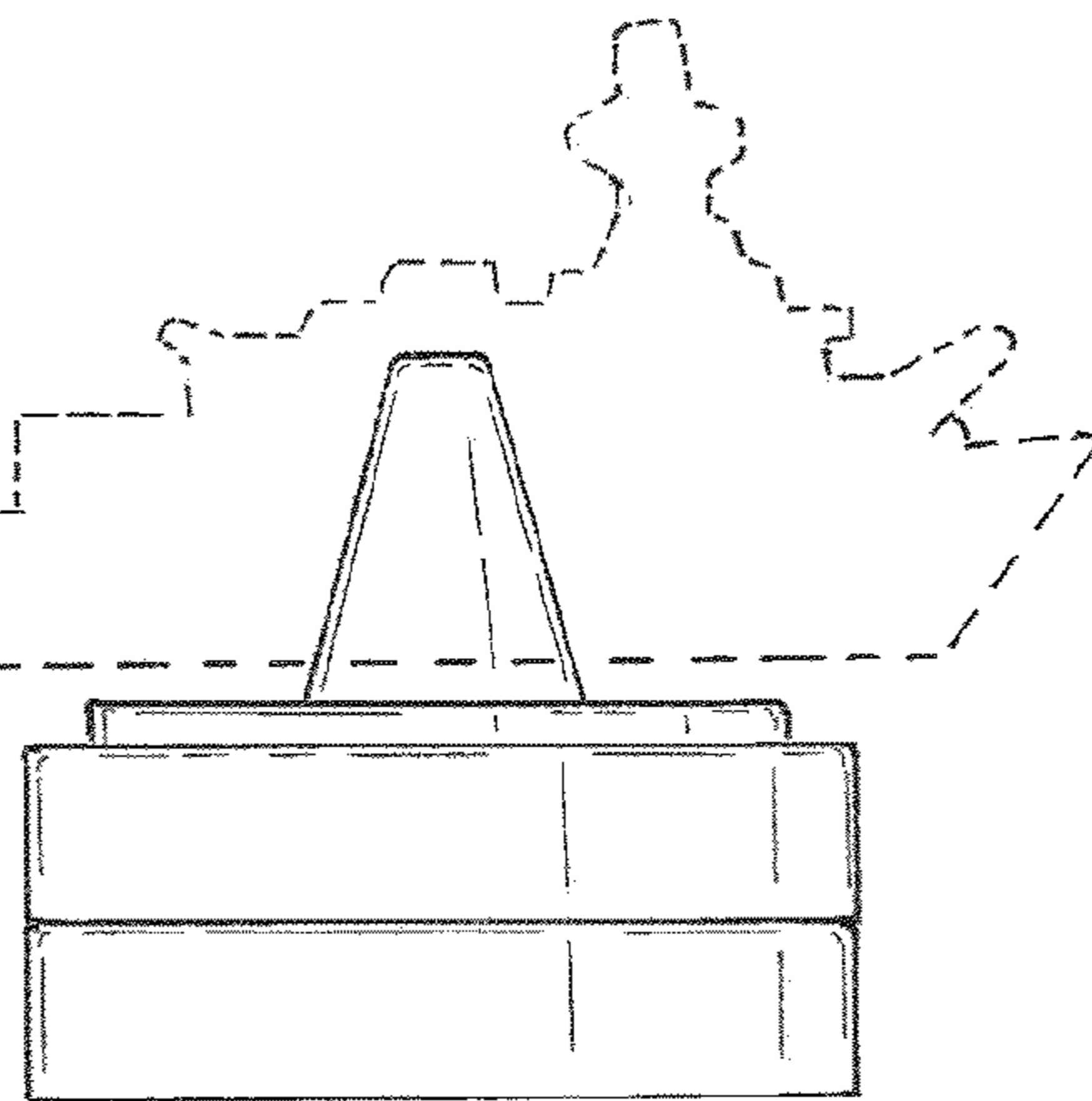


FIG. 13

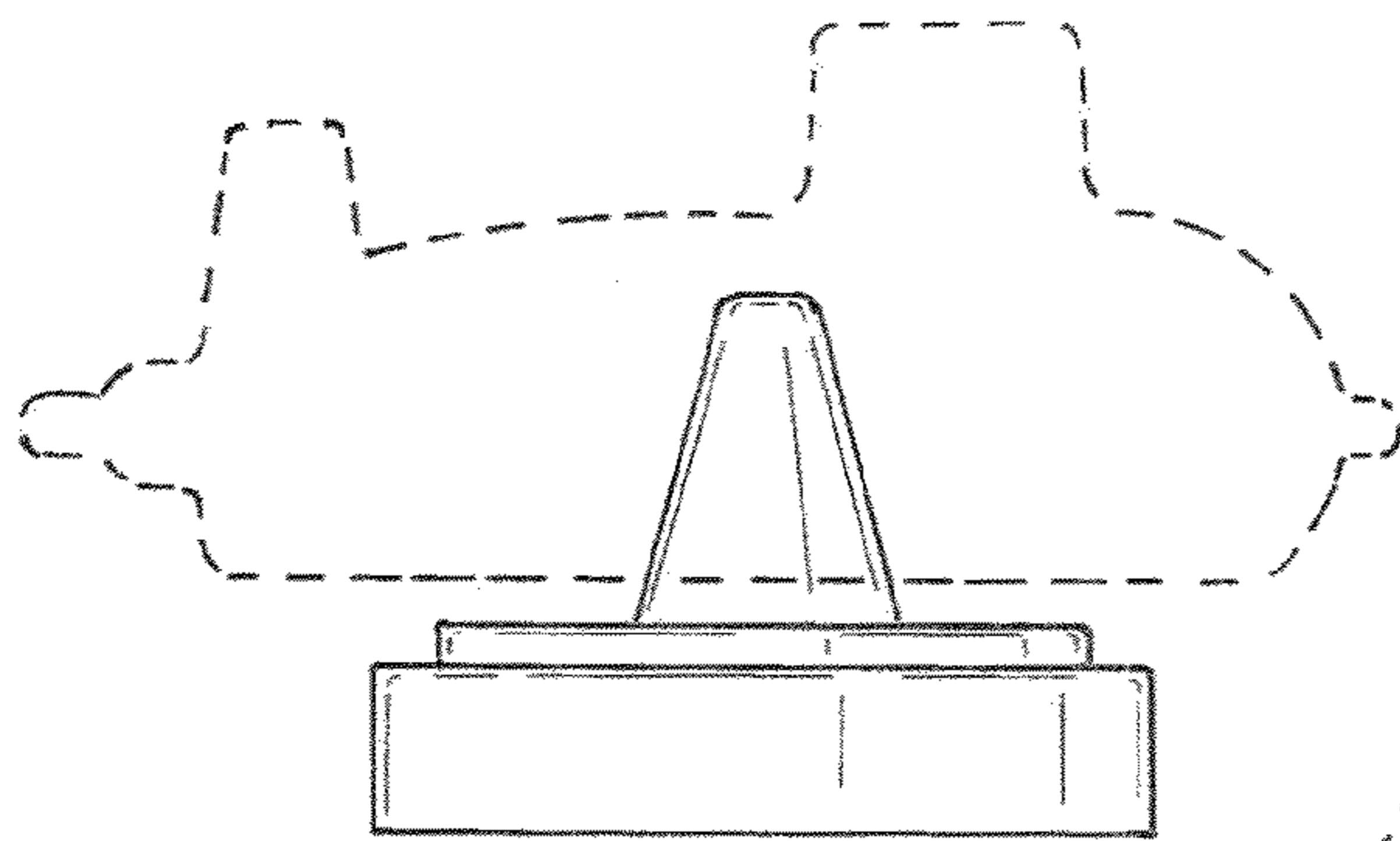


FIG. 14

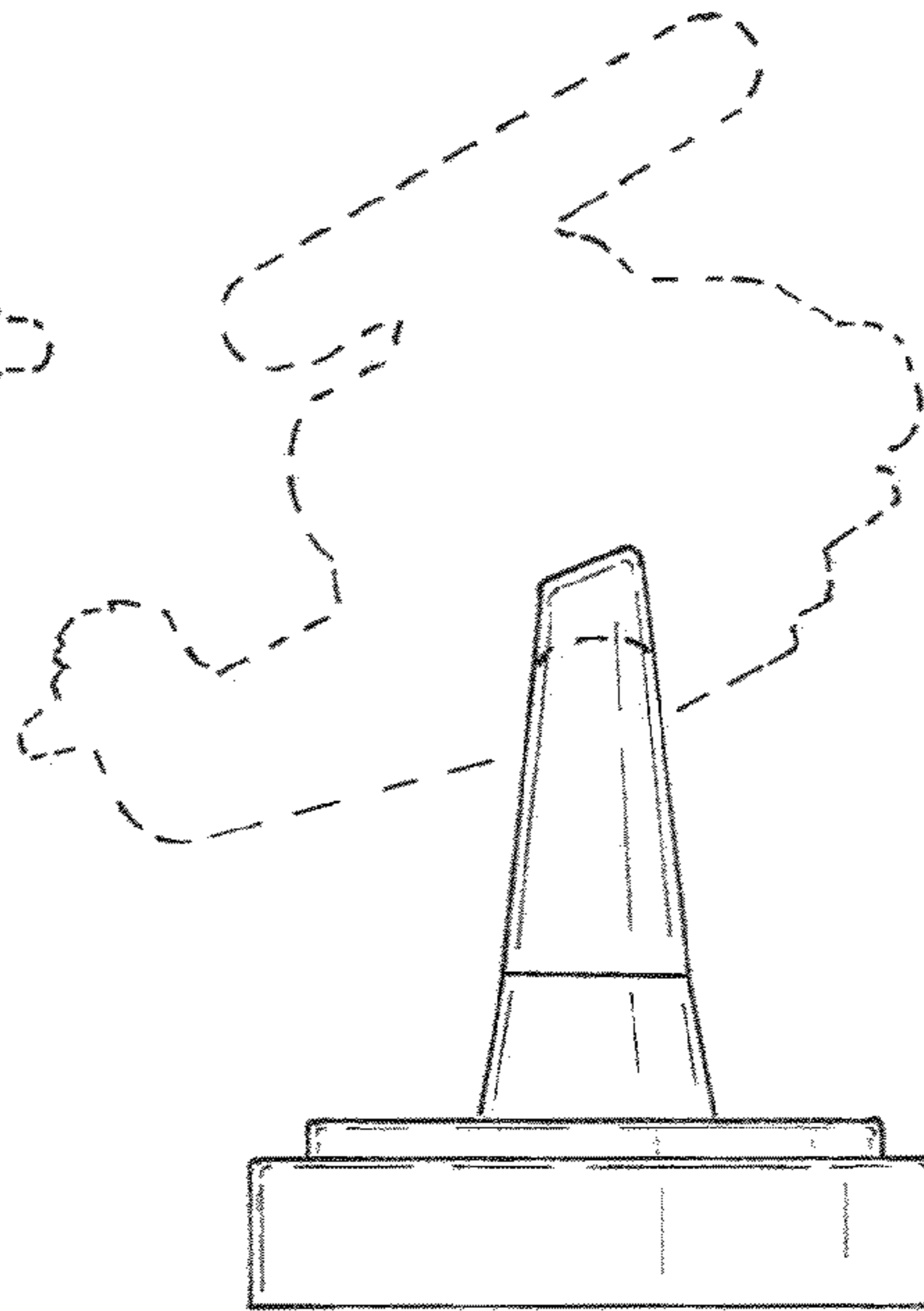


FIG. 15

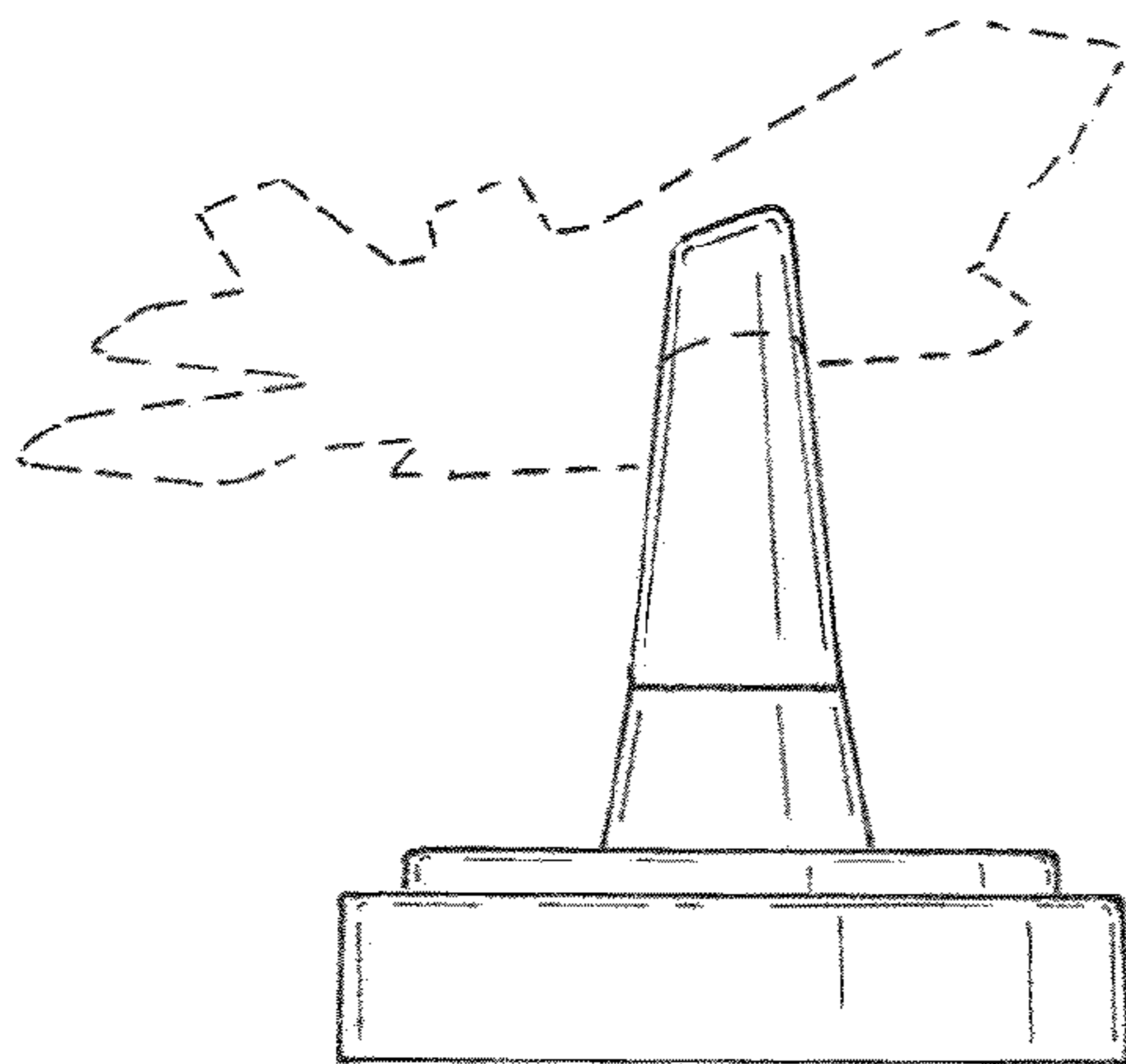


FIG. 16

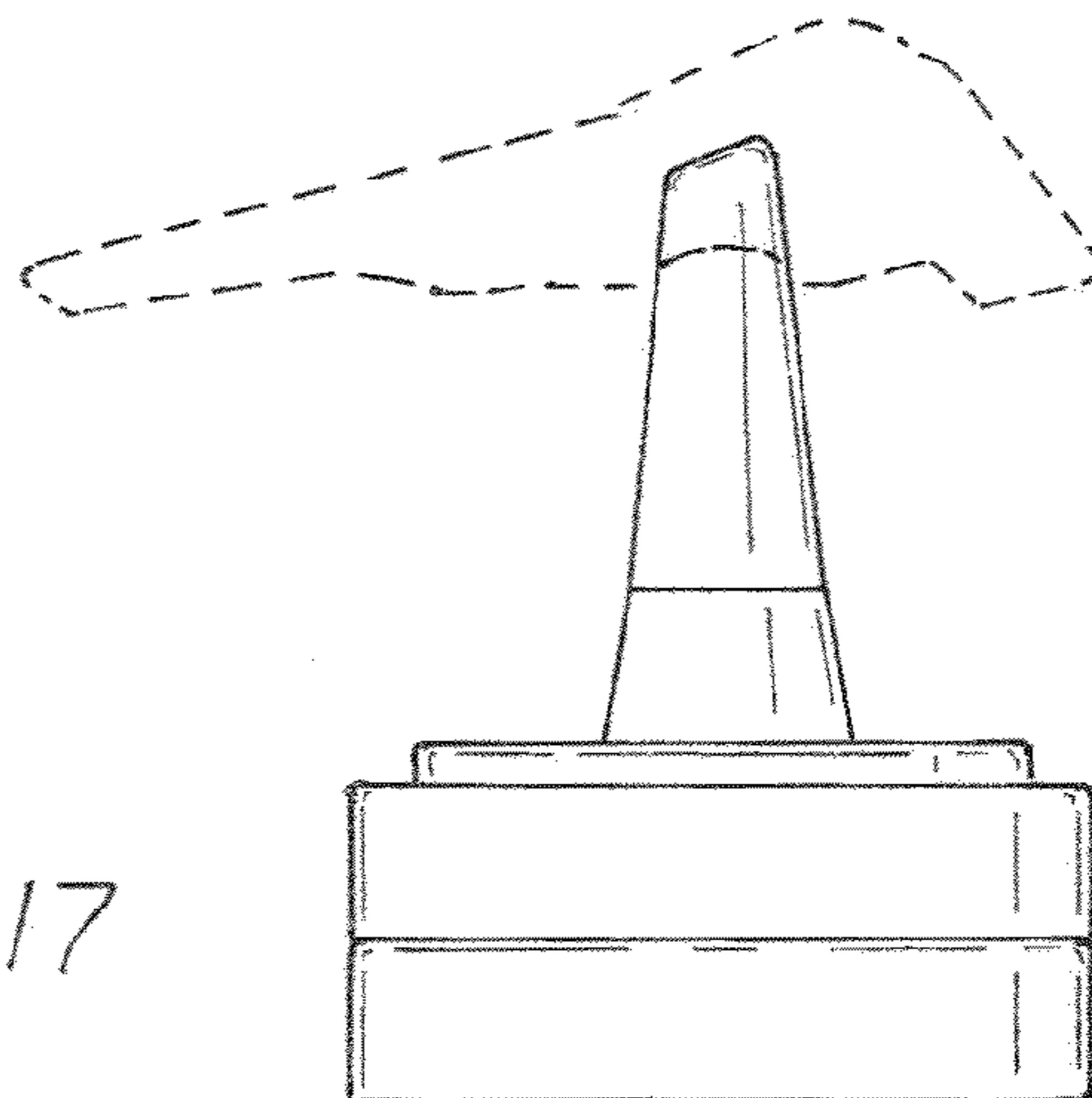


FIG. 17