



US00D697559S

(12) **United States Design Patent**  
**Kalis**

(10) **Patent No.:** **US D697,559 S**  
(45) **Date of Patent:** **\*\* Jan. 14, 2014**

(54) **ELECTRONIC GAME BOARD**

(75) Inventor: **Emile Kalis**, Rotterdam (NL)

(73) Assignees: **Identity Mansion B.V.** (NL); **Studio Sophisti VOF** (NL)

(\*\*) Term: **14 Years**

(21) Appl. No.: **29/419,148**

(22) Filed: **Apr. 25, 2012**

(30) **Foreign Application Priority Data**

Oct. 25, 2011 (EM) ..... 001937806-0001

(51) **LOC (10) Cl.** ..... **21-01**

(52) **U.S. Cl.**  
USPC ..... **D21/334**

(58) **Field of Classification Search**  
USPC ..... D21/307-208, 334-368, 376-397;  
273/236-287, 288-291; D14/434;  
D13/103

See application file for complete search history.

(56) **References Cited**

**U.S. PATENT DOCUMENTS**

D361,784 S \* 8/1995 Saddler et al. .... D19/64

D391,931 S \* 3/1998 Iino ..... D14/434  
D532,363 S \* 11/2006 Morisawa ..... D13/103  
D682,278 S \* 5/2013 Carnevali ..... D14/434

\* cited by examiner

*Primary Examiner* — George D Kirschbaum

(74) *Attorney, Agent, or Firm* — Miller & Martin PLLC

(57) **CLAIM**

The ornamental design for the electronic game board, as shown described.

**DESCRIPTION**

FIG. 1 is a back top left perspective view of the electronic game board;

FIG. 2 is a front plan view of the electronic game board shown in FIG. 1;

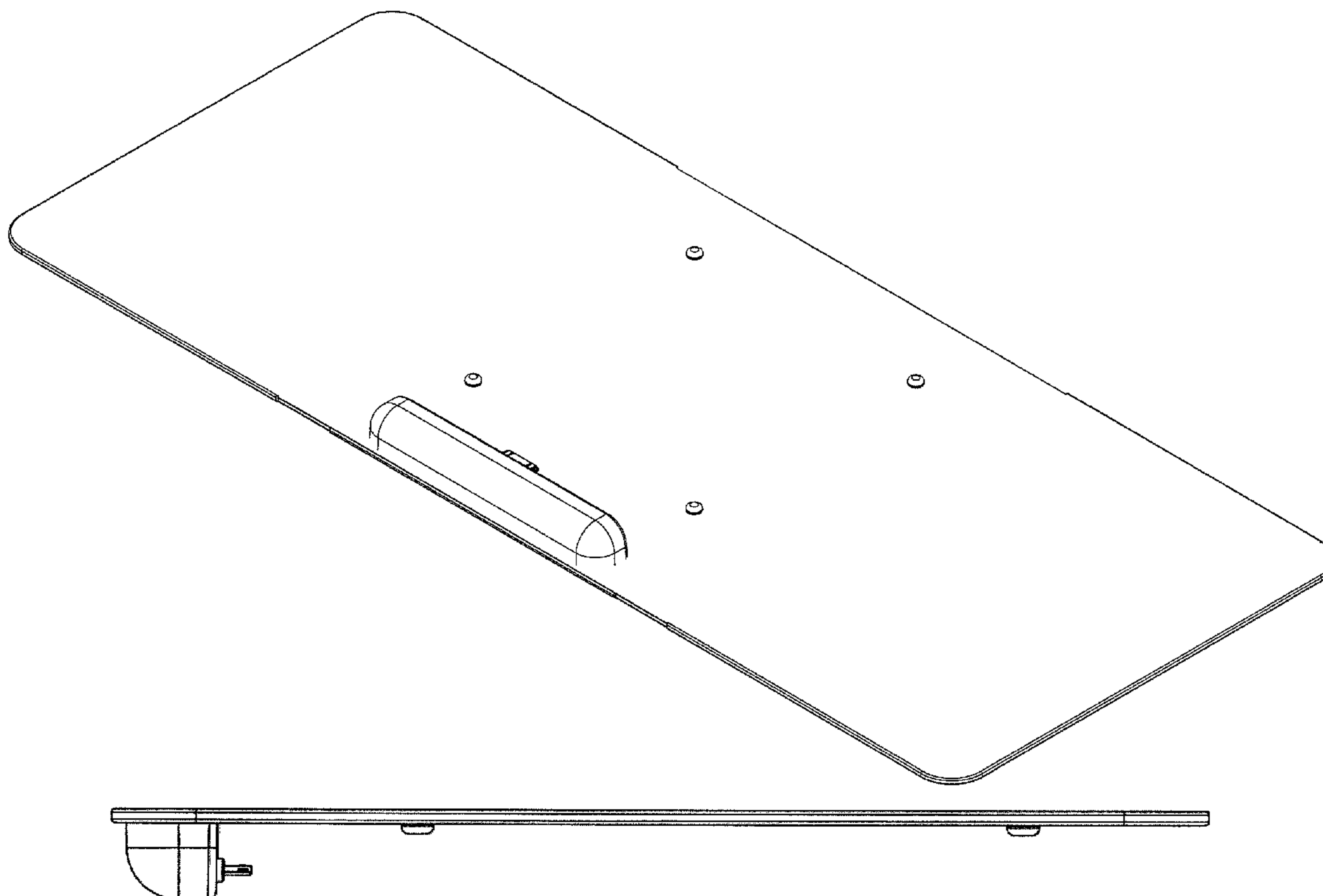
FIG. 3 is a back plan view of the electronic game board shown in FIG. 1;

FIG. 4 is a top plan view of the electronic game board shown in FIG. 1;

FIG. 5 is a bottom plan view of the electronic game board shown in FIG. 1; and,

FIG. 6 is a left side plan view of the electronic game board shown in FIG. 1, the right side plan view being a mirror image thereof.

**1 Claim, 6 Drawing Sheets**



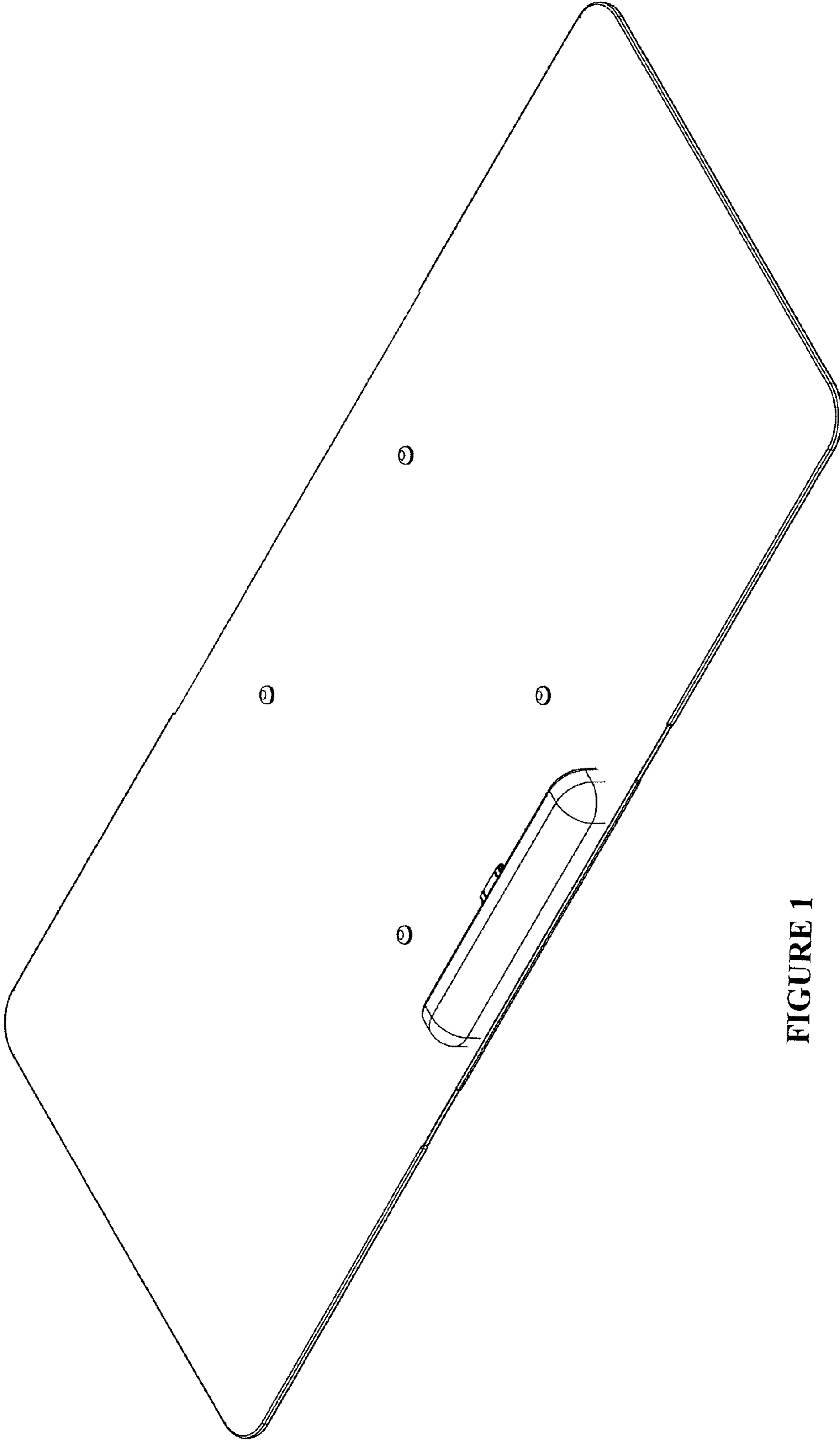


FIGURE 1



FIGURE 2



FIGURE 3

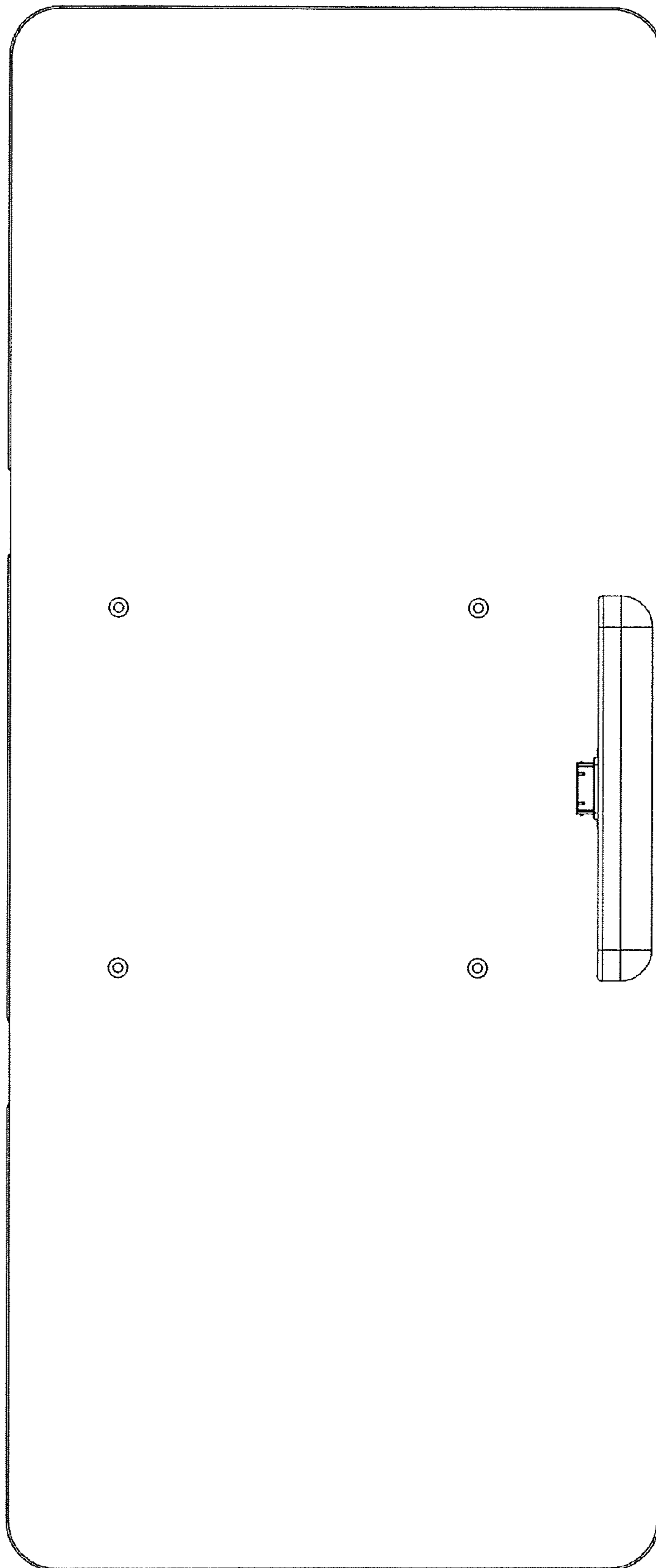
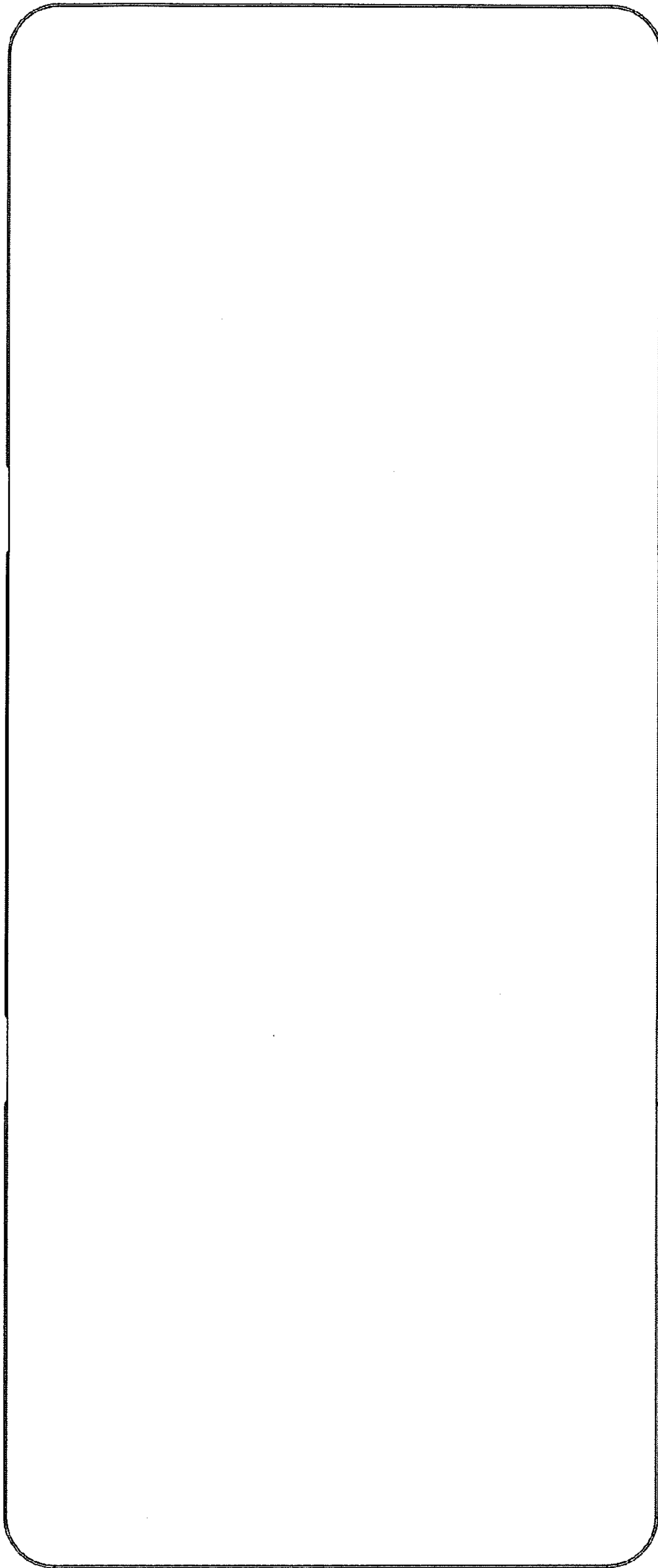


FIGURE 4



**FIGURE 5**

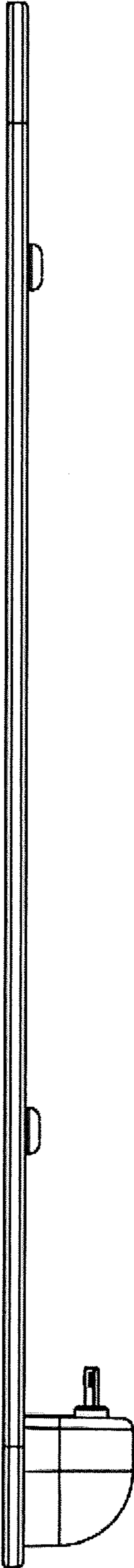


FIGURE 6