



US00D697558S

(12) **United States Design Patent**  
**Myers et al.**

(10) **Patent No.:** **US D697,558 S**

(45) **Date of Patent:** **\*\* Jan. 14, 2014**

(54) **GAMING MACHINE CABINET**

(56) **References Cited**

(71) Applicant: **Bally Gaming, Inc.**, Las Vegas, NV  
(US)

U.S. PATENT DOCUMENTS

(72) Inventors: **Gordon H. Myers**, Reno, NV (US);  
**Joseph Randolph Hedrick**, Reno, NV  
(US); **Scott Thomas Hilbert**, Reno, NV  
(US)

4,850,591	A *	7/1989	Takezawa et al.	463/37
5,813,914	A *	9/1998	McKay et al.	463/46
6,201,532	B1 *	3/2001	Tode et al.	345/156
6,227,970	B1 *	5/2001	Shimizu et al.	463/20
6,334,612	B1 *	1/2002	Wurz et al.	273/143 R
6,461,239	B1 *	10/2002	Sagawa et al.	463/7
D505,961	S *	6/2005	Chu	D15/9
D587,319	S *	2/2009	Moises Deiab	D21/325
D605,231	S *	12/2009	Hashimoto et al.	D21/325
D612,432	S *	3/2010	De Viveiros Ortiz	D21/325
D622,323	S *	8/2010	De Viveiros Ortiz	D21/325
D689,461	S *	9/2013	Garneau et al.	D14/172

(73) Assignee: **Bally Gaming, Inc.**, Las Vegas, NV  
(US)

\* cited by examiner

(\*\*) Term: **14 Years**

*Primary Examiner* — Prabhakar Deshmukh

(21) Appl. No.: **29/439,321**

(74) *Attorney, Agent, or Firm* — Marvin Hein

(22) Filed: **Dec. 10, 2012**

(57) **CLAIM**

(51) **LOC (10) Cl.** ..... **21-01**

The ornamental design for a gaming machine cabinet, as shown and described.

(52) **U.S. Cl.**

**DESCRIPTION**

USPC ..... **D21/325**

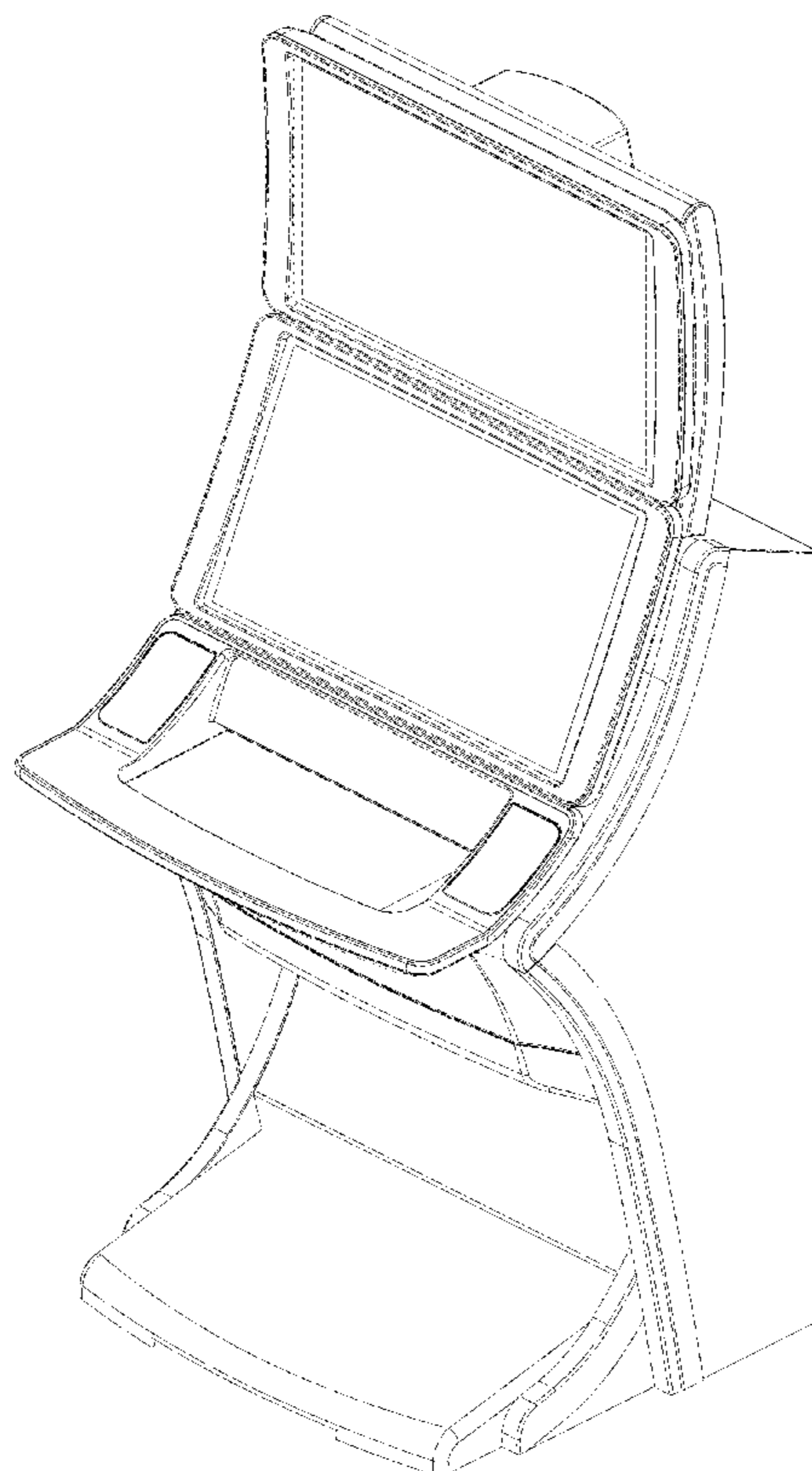
(58) **Field of Classification Search**

USPC ..... D14/172, 173, 203.1–203.7, 496, 188,  
D14/265; D21/324, 325, 369; 273/148 B;  
463/1, 28–35, 46, 47; 369/1, 6–12,  
369/24.01, 30.06, 30.07, 30.08, 30.23;  
710/1; 711/100, 111

FIG. 1 is a perspective view of a gaming machine cabinet,  
showing my new design;  
FIG. 2 is a top view thereof;  
FIG. 3 is a front elevational view thereof;  
FIG. 4 is a right side elevational view thereof; and,  
FIG. 5 is a rear elevational view thereof.  
Broken lines on FIGS. 1, 3 and 4 indicate disclaimed portions  
and form no part of the claimed design.

See application file for complete search history.

**1 Claim, 5 Drawing Sheets**



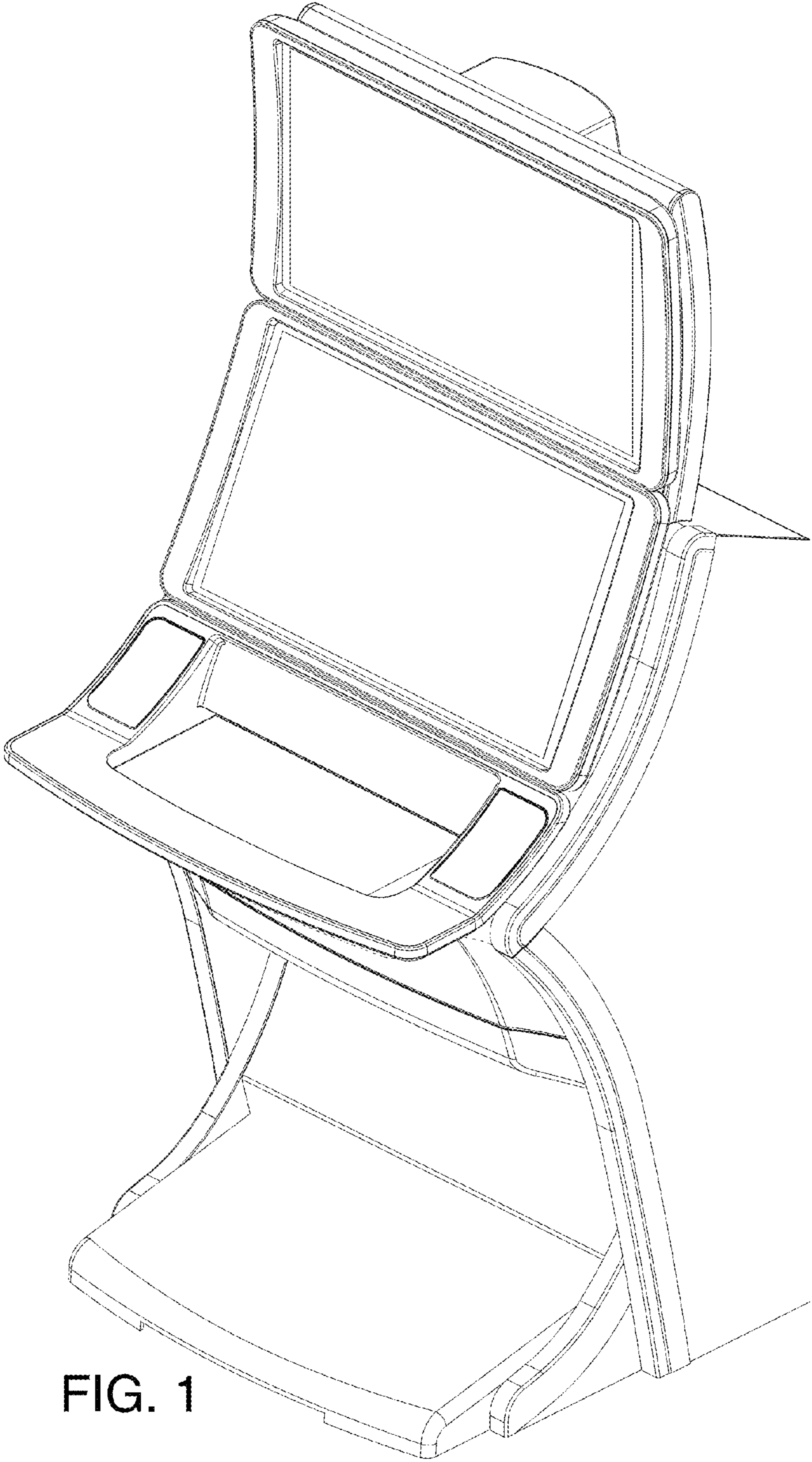


FIG. 1

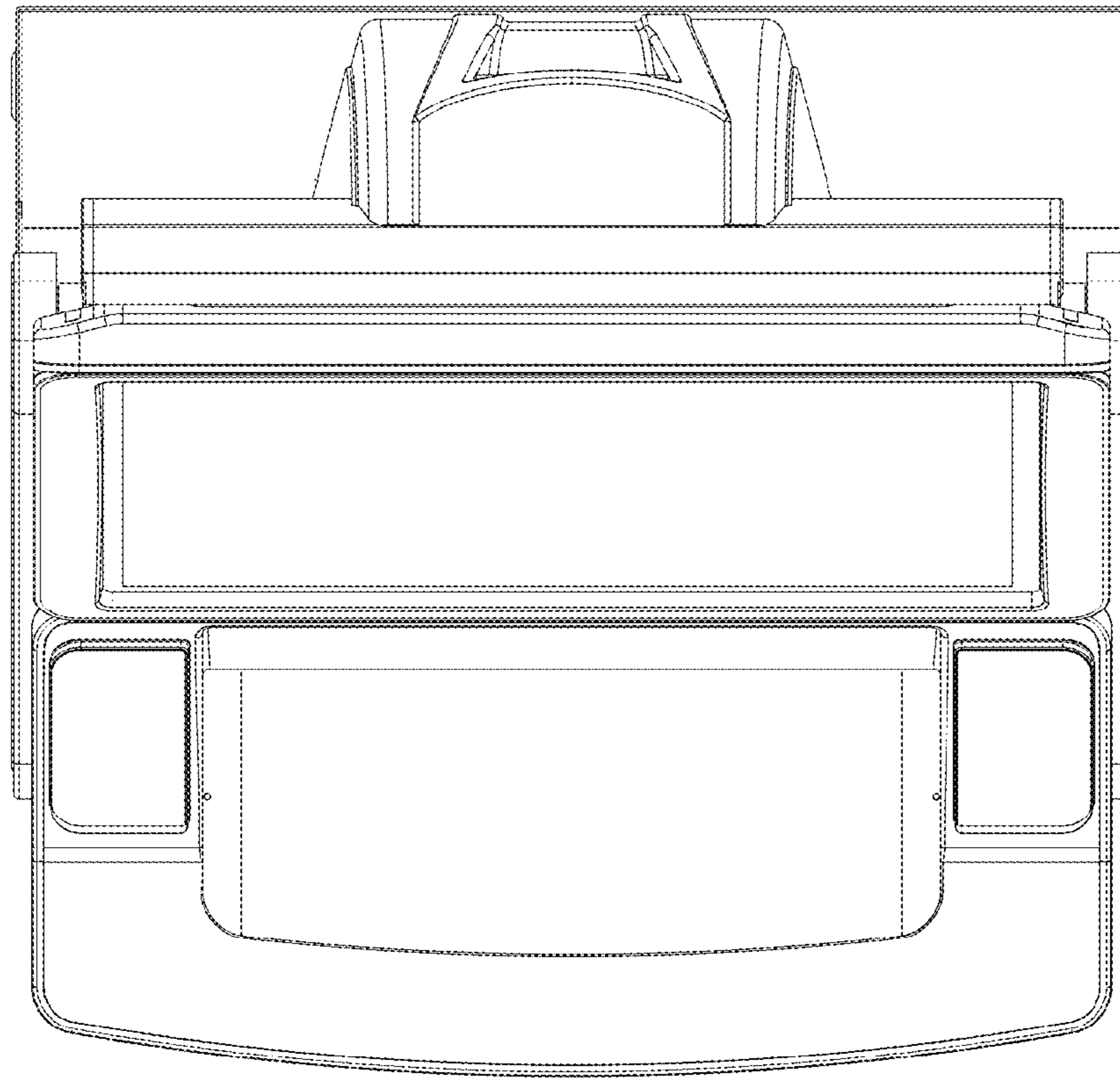


FIG. 2



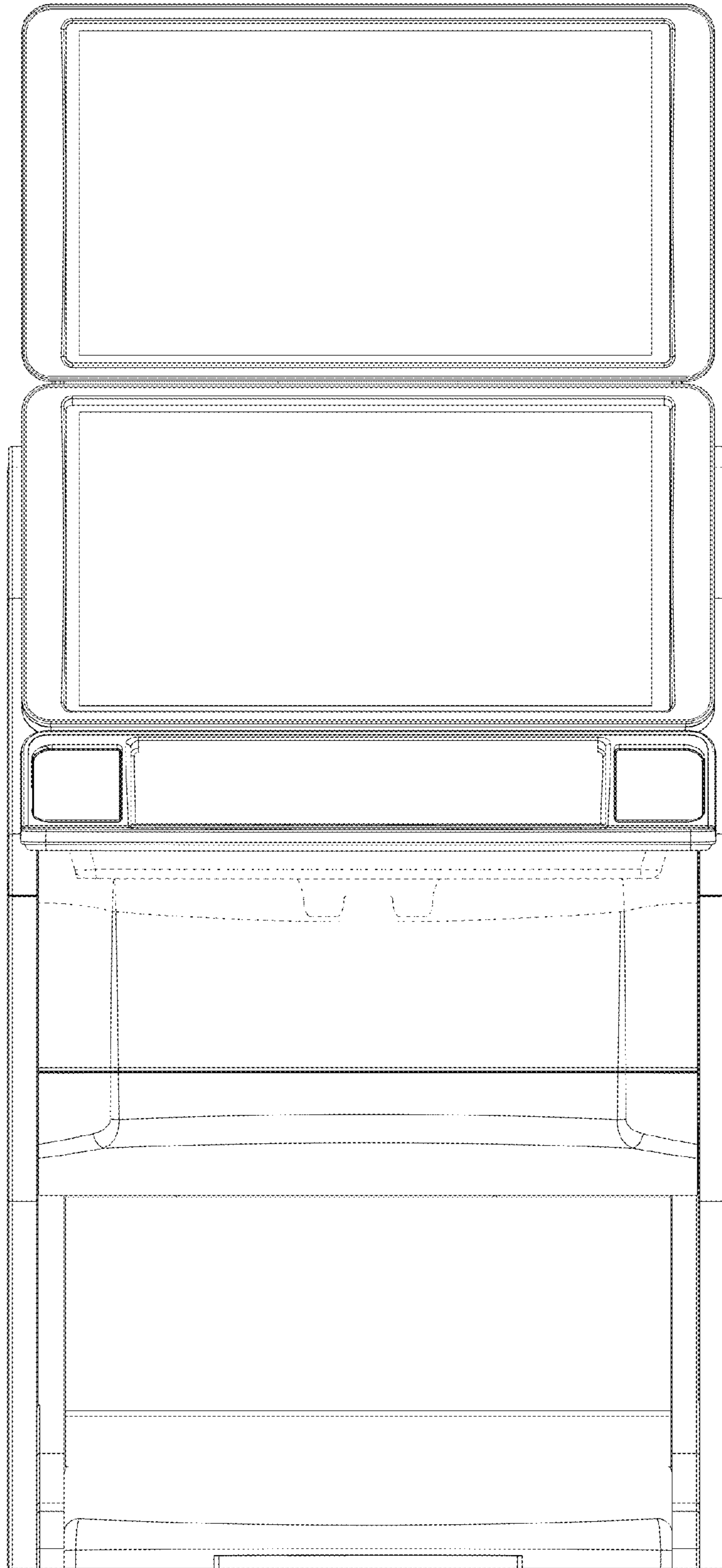


FIG. 3

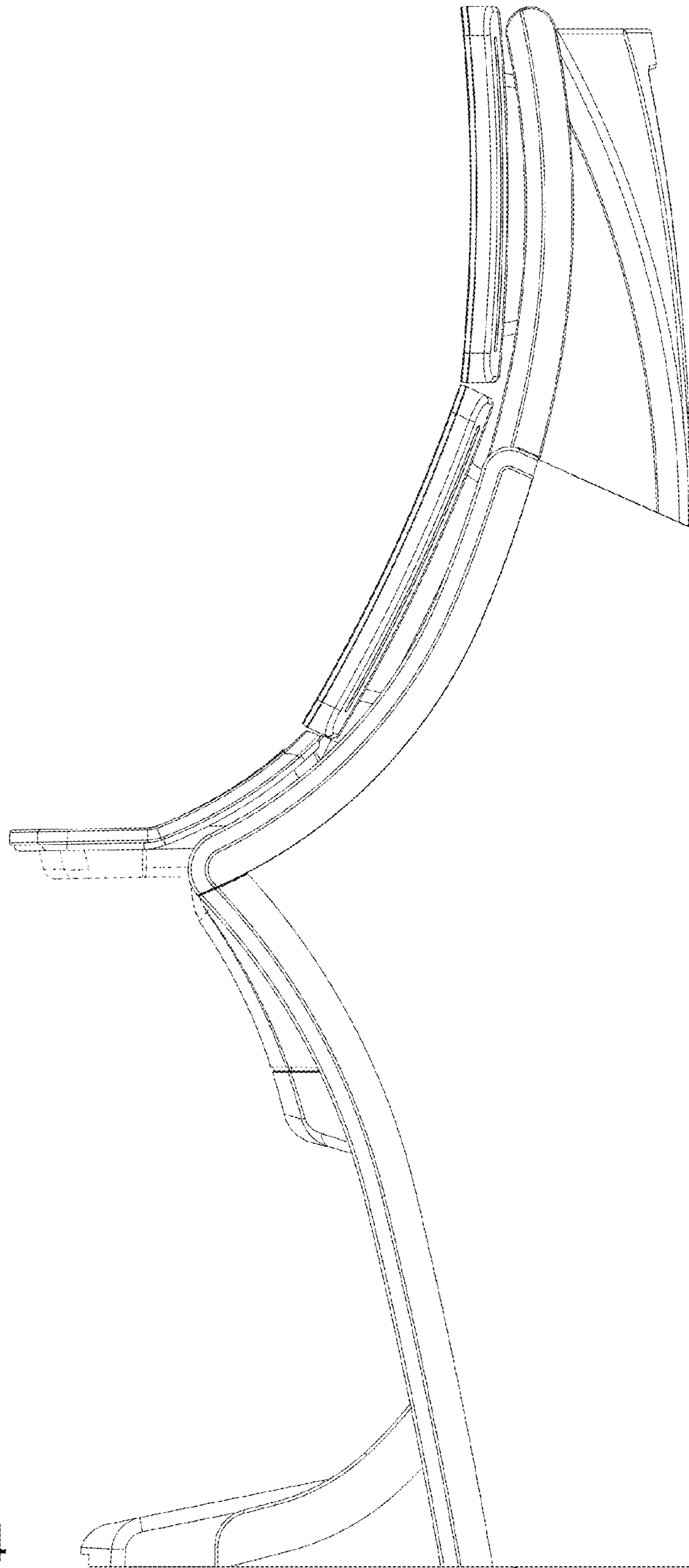


FIG. 4

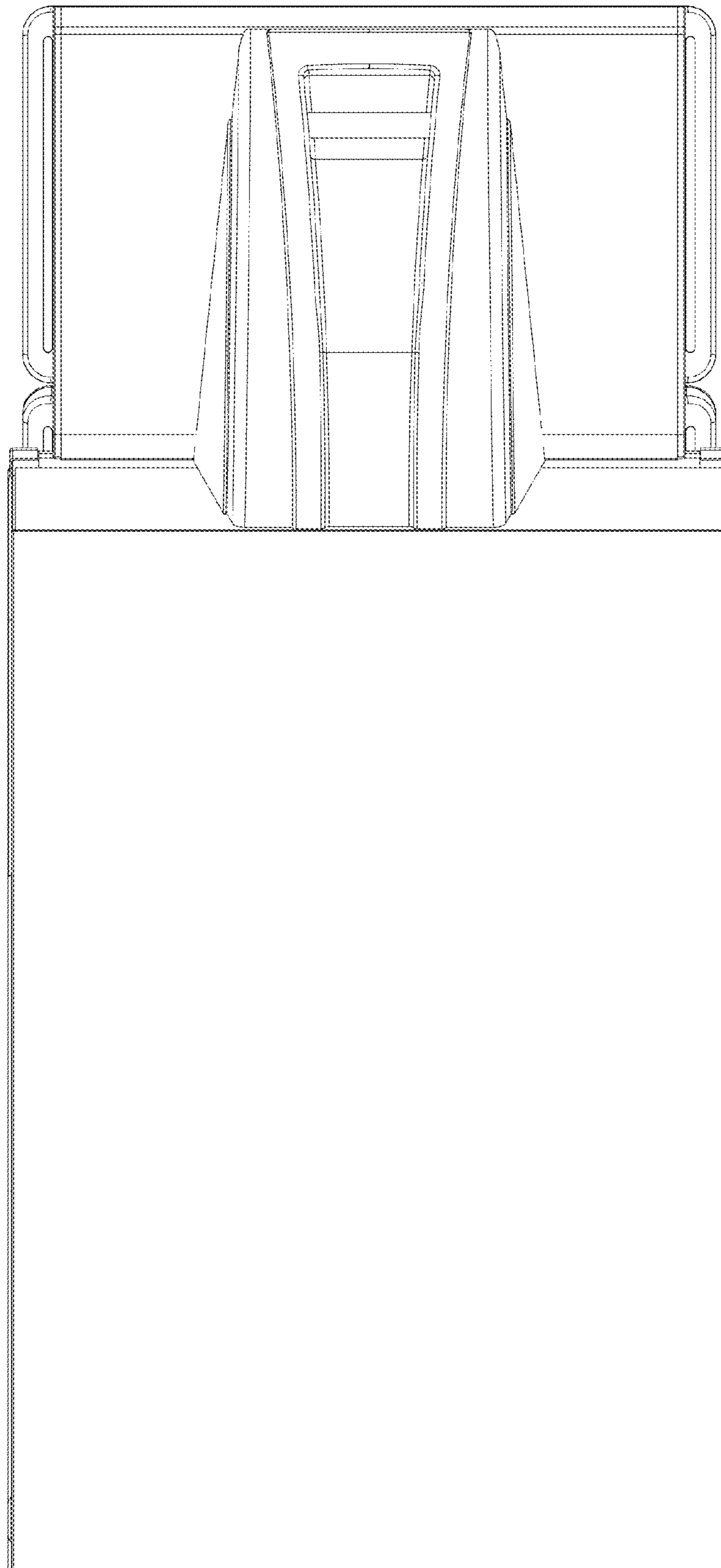


FIG. 5