

US00D697556S

(12) **United States Design Patent**
Massaad

(10) **Patent No.:** **US D697,556 S**
(45) **Date of Patent:** **** Jan. 14, 2014**

- (54) **TWO-PIECE PLACARD HOLDER, MAGNETICALLY ATTACHED**
- (76) Inventor: **John Massaad**, Broadview Hts., OH (US)
- (**) Term: **14 Years**
- (21) Appl. No.: **29/406,995**
- (22) Filed: **Nov. 22, 2011**

D474,595	S	*	5/2003	Cuff	D3/247
6,708,435	B2	*	3/2004	Massey	40/643
7,150,120	B1	*	12/2006	Naymik	40/643
7,373,745	B1	*	5/2008	Massaad	40/593
D655,348	S	*	3/2012	Cooper	D20/43
2004/0000080	A1	*	1/2004	Massey	40/599
2004/0016162	A1	*	1/2004	Rendon	40/654.01
2008/0120879	A1	*	5/2008	Massaad	40/593
2011/0314713	A1	*	12/2011	Massaad	40/593

* cited by examiner

Primary Examiner — Mary Ann Calabrese

Related U.S. Application Data

- (63) Continuation-in-part of application No. 12/825,181, filed on Jun. 28, 2010, now abandoned.
- (51) **LOC (10) Cl.** **20-03**
- (52) **U.S. Cl.**
USPC **D20/43**
- (58) **Field of Classification Search**
USPC D20/10, 19, 42-44, 99; 40/591, 593, 40/599, 625, 642.01, 642.02, 643, 644, 40/647, 649-655, 654.01, 658, 661, 40/661.01, 661.03, 661.06, 661.08; D3/247; D19/90; 223/87
See application file for complete search history.

References Cited

U.S. PATENT DOCUMENTS

D393,490	S	*	4/1998	Burch	D20/43
D429,286	S	*	8/2000	Luciani et al.	D20/42

(57) **CLAIM**

The ornamental design for a two-piece placard holder magnetically attached, as shown and described.

DESCRIPTION

FIG. 1 is an exploded front perspective view of a two-piece placard holder magnetically attached showing my new design, the broken-line disclosure of the placard and rearview mirror is for illustrative purposes only and forms no part of the claimed design;

FIG. 2 is an alternate exploded front perspective view thereof,

FIG. 3 is a front perspective view of the two pieces attached,

FIG. 4 is a front elevational view thereof,

FIG. 5 is a rear elevational view thereof,

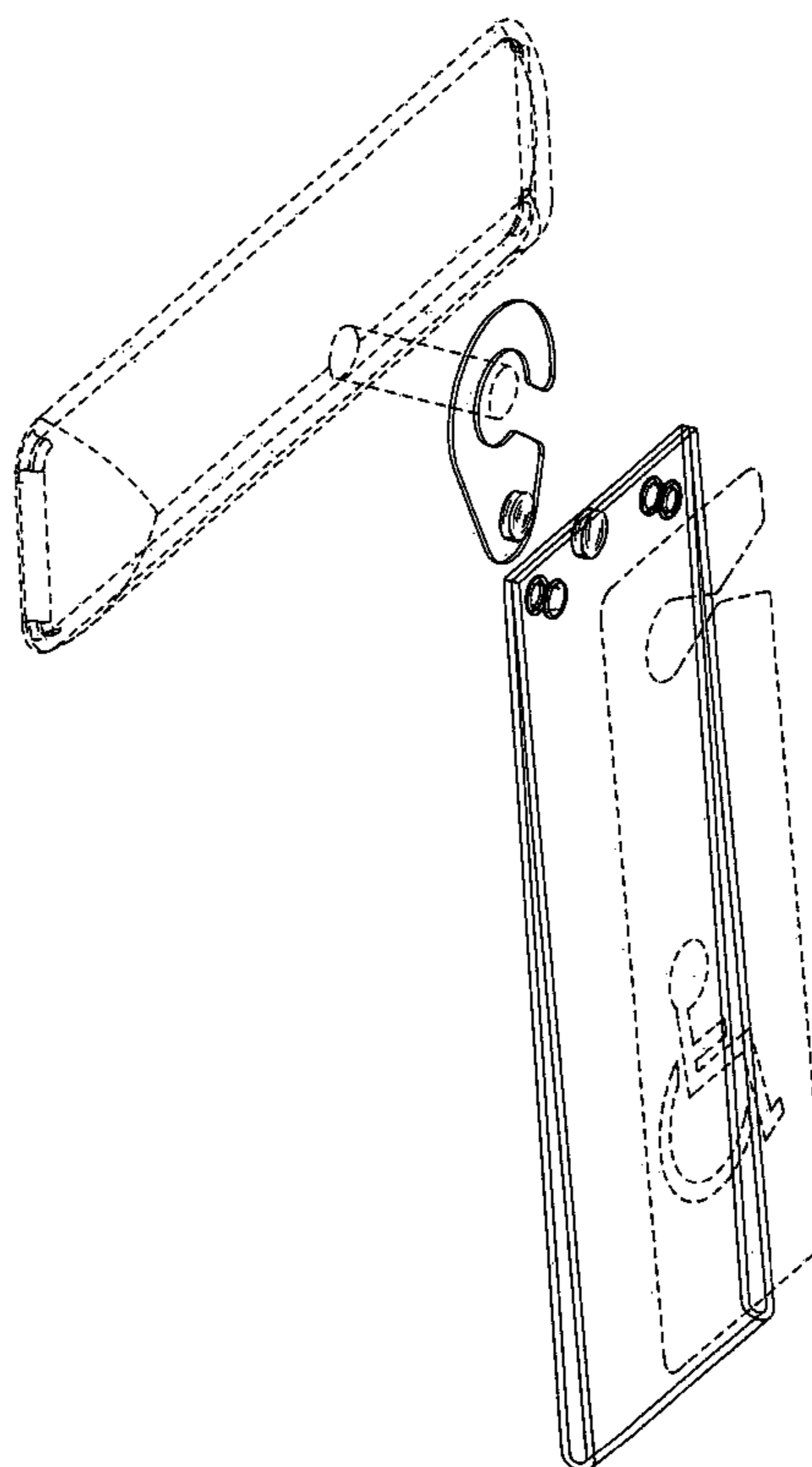
FIG. 6 is a left view thereof,

FIG. 7 is a right view thereof,

FIG. 8 is a top view thereof; and,

FIG. 9 is a bottom view thereof.

1 Claim, 5 Drawing Sheets



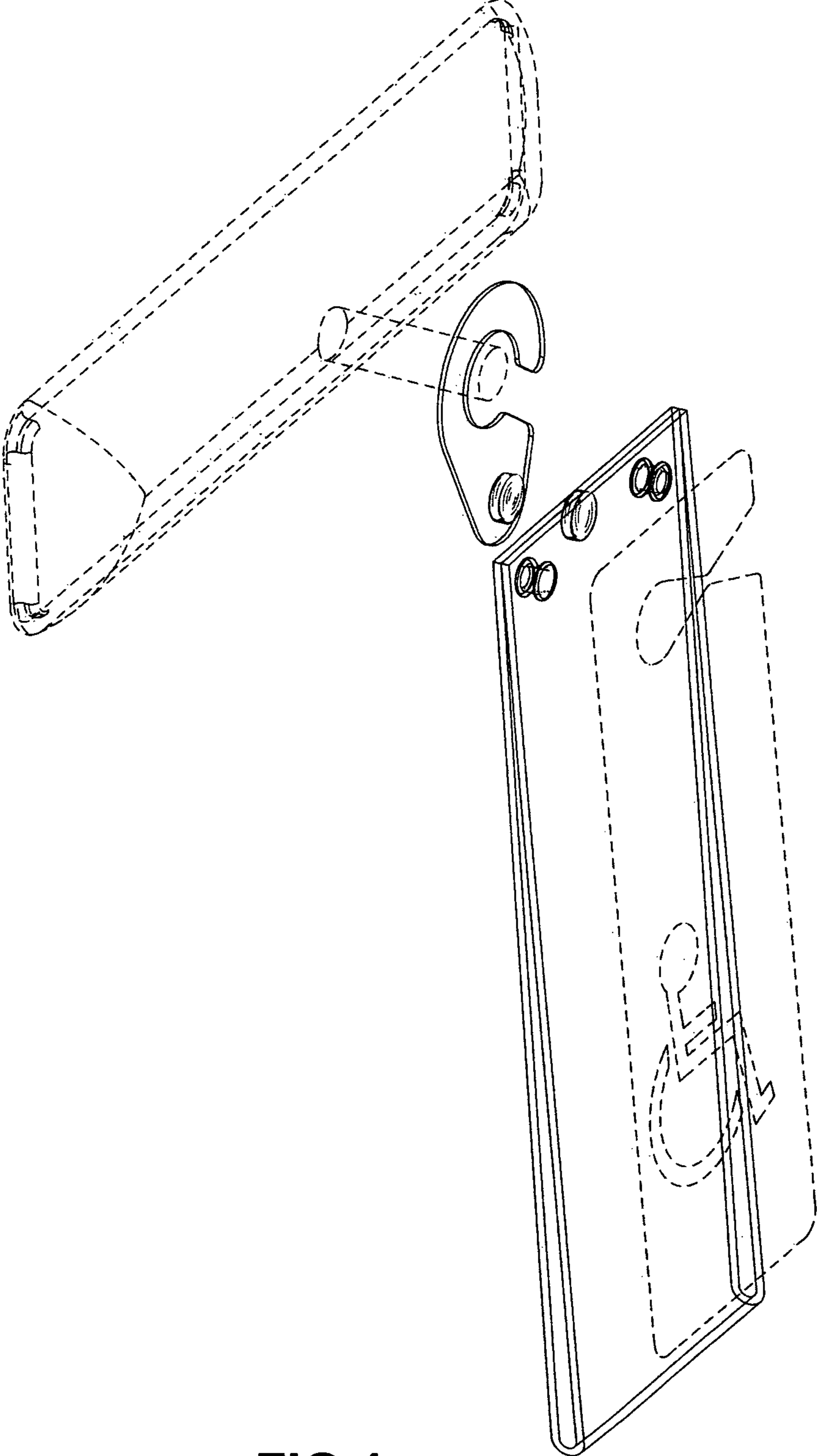


FIG.1

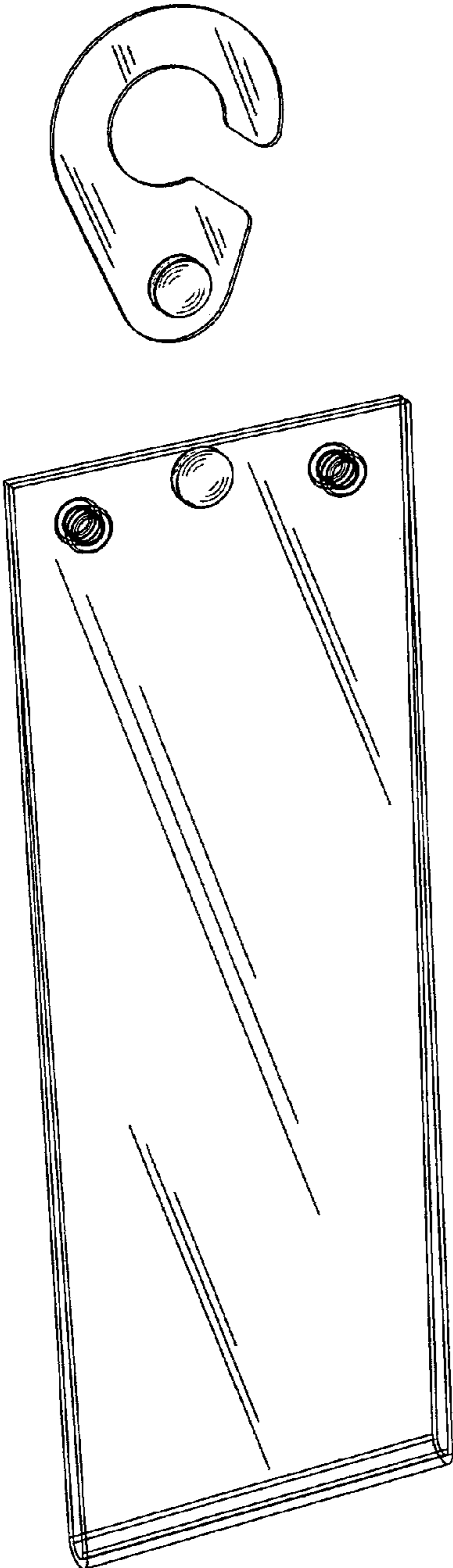


FIG. 2

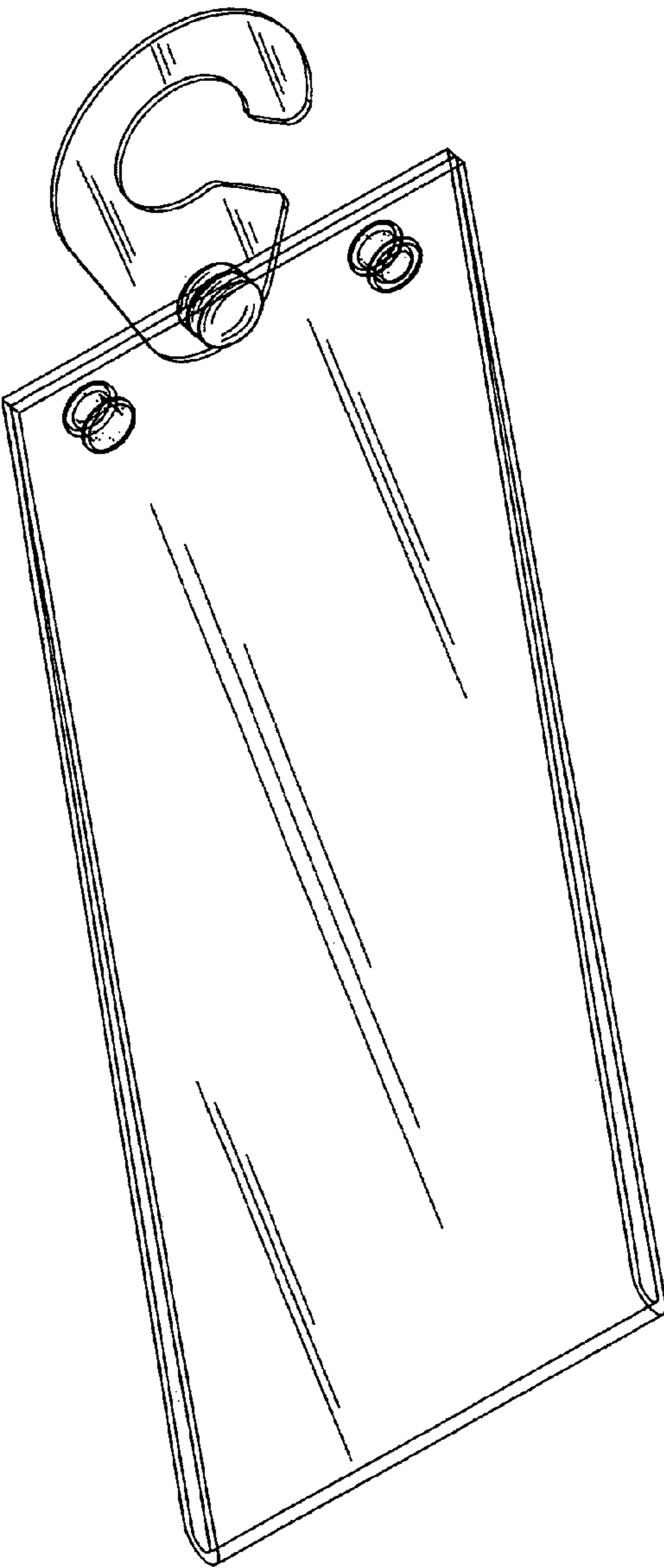


FIG. 3

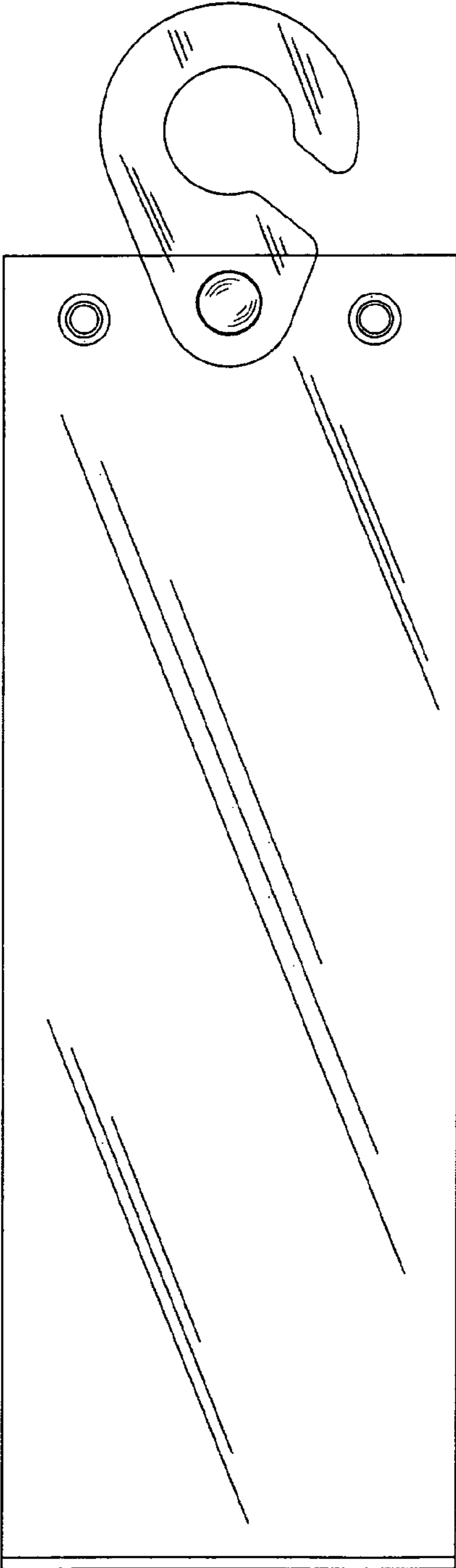


FIG.4

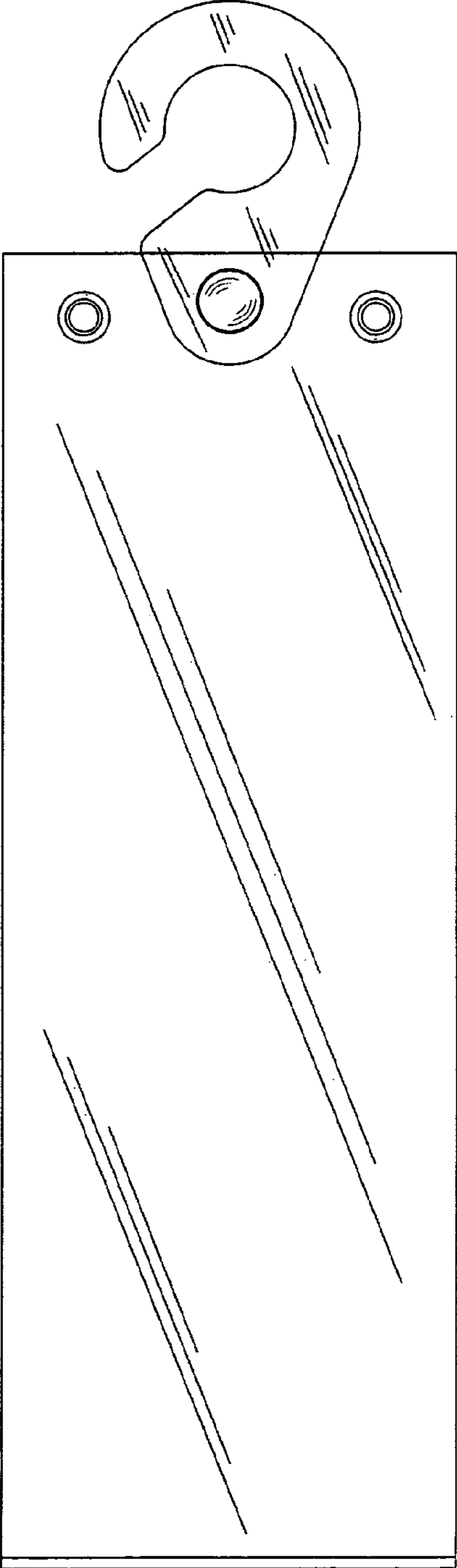


FIG.5

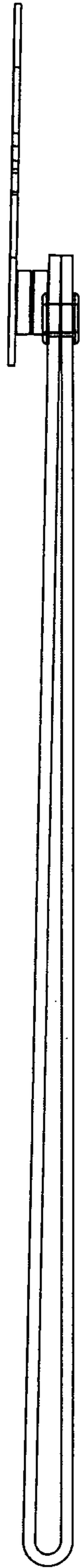


FIG. 6

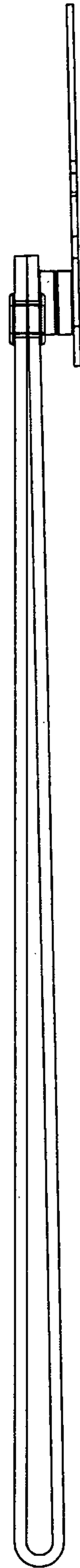


FIG. 7

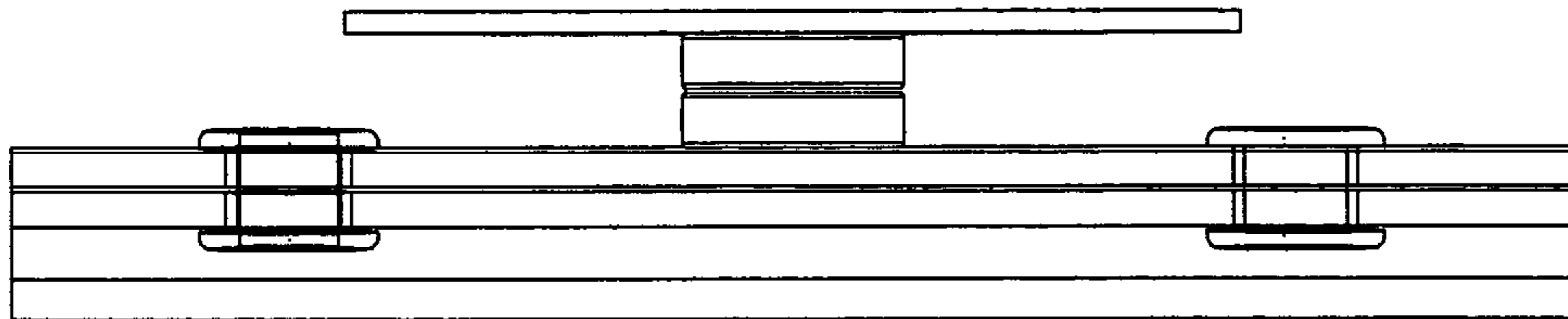


FIG. 8

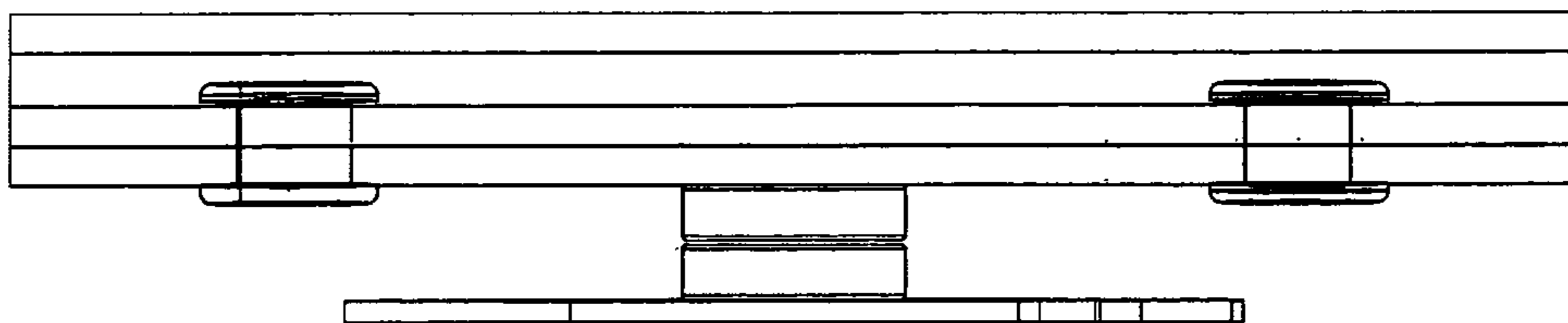


FIG. 9