



US00D697550S

(12) **United States Design Patent**
Nanno et al.

(10) **Patent No.:** **US D697,550 S**
(45) **Date of Patent:** **** Jan. 14, 2014**

(54) **PRINTER**

(75) Inventors: **Tomoyuki Nanno**, Nagoya (JP); **Jiro Suzuki**, Nagoya (JP)

(73) Assignee: **Brother Industries, Ltd.**, Nagoya (JP)

(**) Term: **14 Years**

(21) Appl. No.: **29/416,921**

(22) Filed: **Mar. 28, 2012**

(51) **LOC (10) Cl.** **14-02**

(52) **U.S. Cl.**
USPC **D18/50**

(58) **Field of Classification Search**
USPC D18/36-38, 50, 54-54.1, 55;
D14/420-425, 462-470, 613,
D14/613.1-613.4, 690.1-690.4, 691-694
See application file for complete search history.

(56) **References Cited**

U.S. PATENT DOCUMENTS

D574,886 S * 8/2008 Mase et al. D18/55
D613,792 S * 4/2010 Suzuki et al. D18/55
D614,235 S 4/2010 Nakata

D622,762 S * 8/2010 Egami et al. D18/55
D643,464 S * 8/2011 Sato et al. D18/55
D647,133 S 10/2011 Sato et al.
D673,603 S * 1/2013 Suzuki et al. D18/55

* cited by examiner

Primary Examiner — Cathy A MacCormac

(74) *Attorney, Agent, or Firm* — Oliff & Berridge, PLC

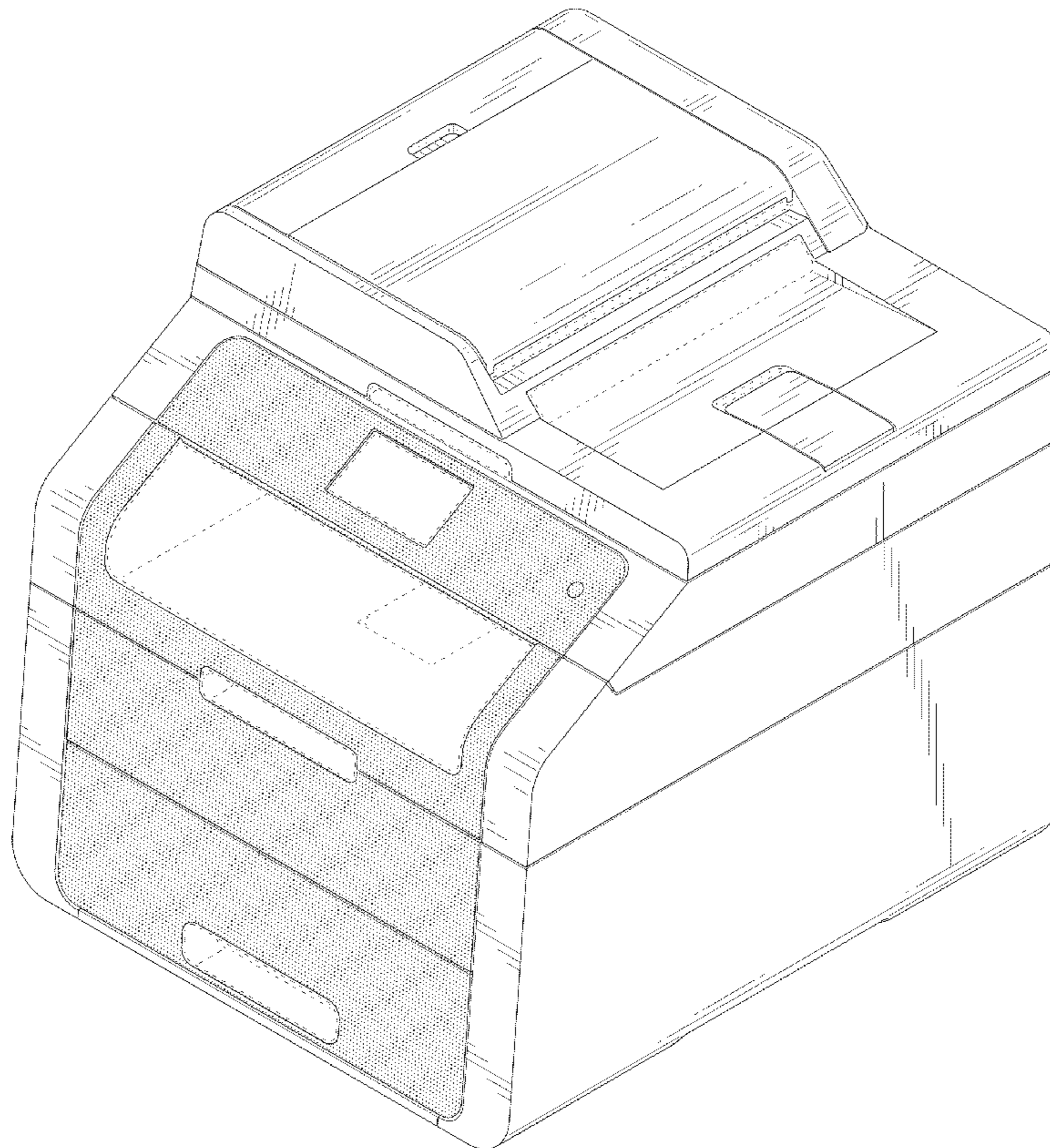
(57) **CLAIM**

The ornamental design for a printer, as shown and described.

DESCRIPTION

FIG. 1 is a perspective view of a printer;
FIG. 2 is a front view thereof;
FIG. 3 is a top view thereof;
FIG. 4 is a right-side view thereof;
FIG. 5 is a left-side view thereof;
FIG. 6 is a rear view thereof; and,
FIG. 7 is a bottom view thereof.
The stippling shows a contrast in appearance. The stippled shading is part of the claimed design.
The broken lines depict unclaimed portions only and form no part of the claimed design.

1 Claim, 7 Drawing Sheets



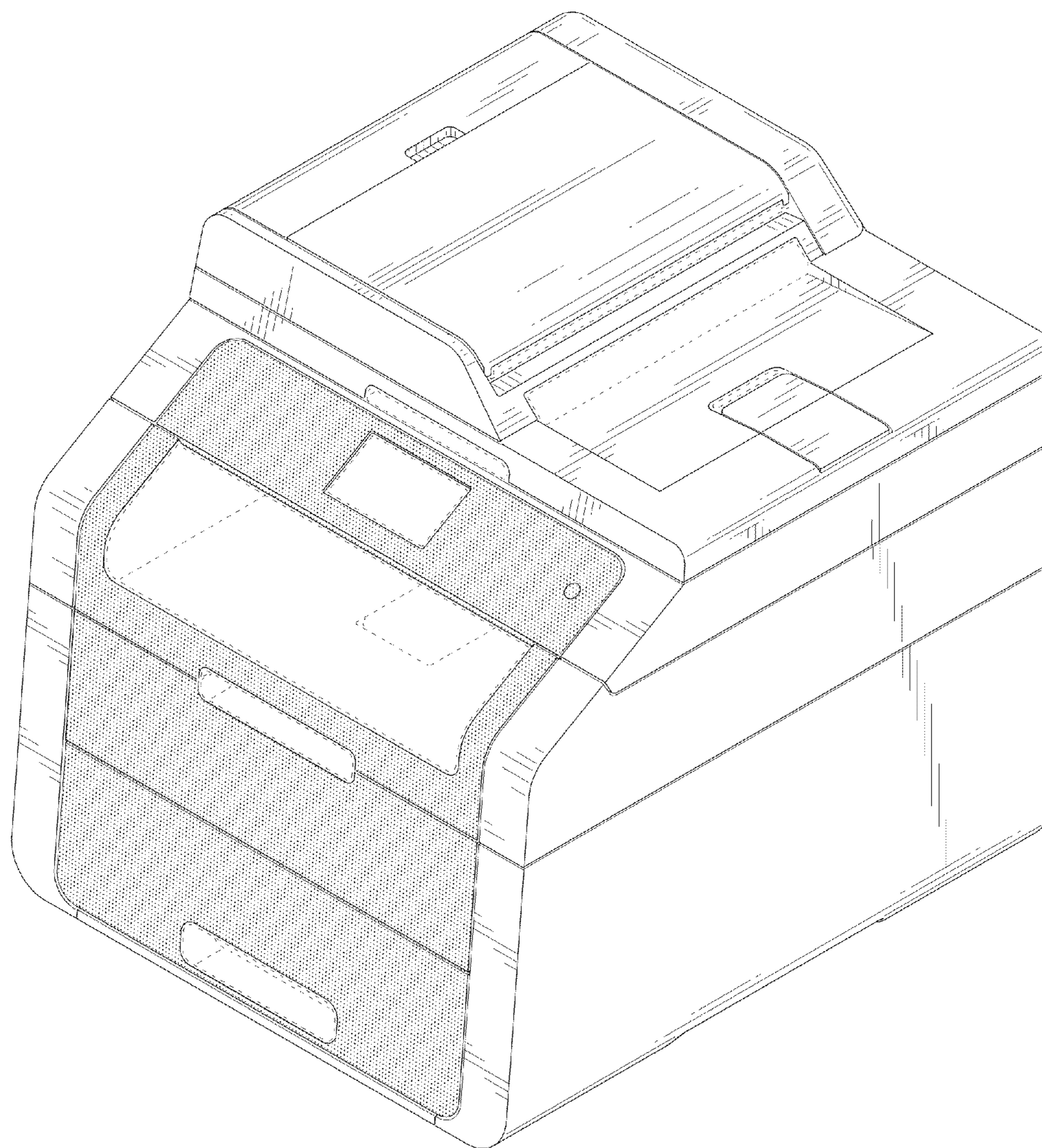


FIG. 1

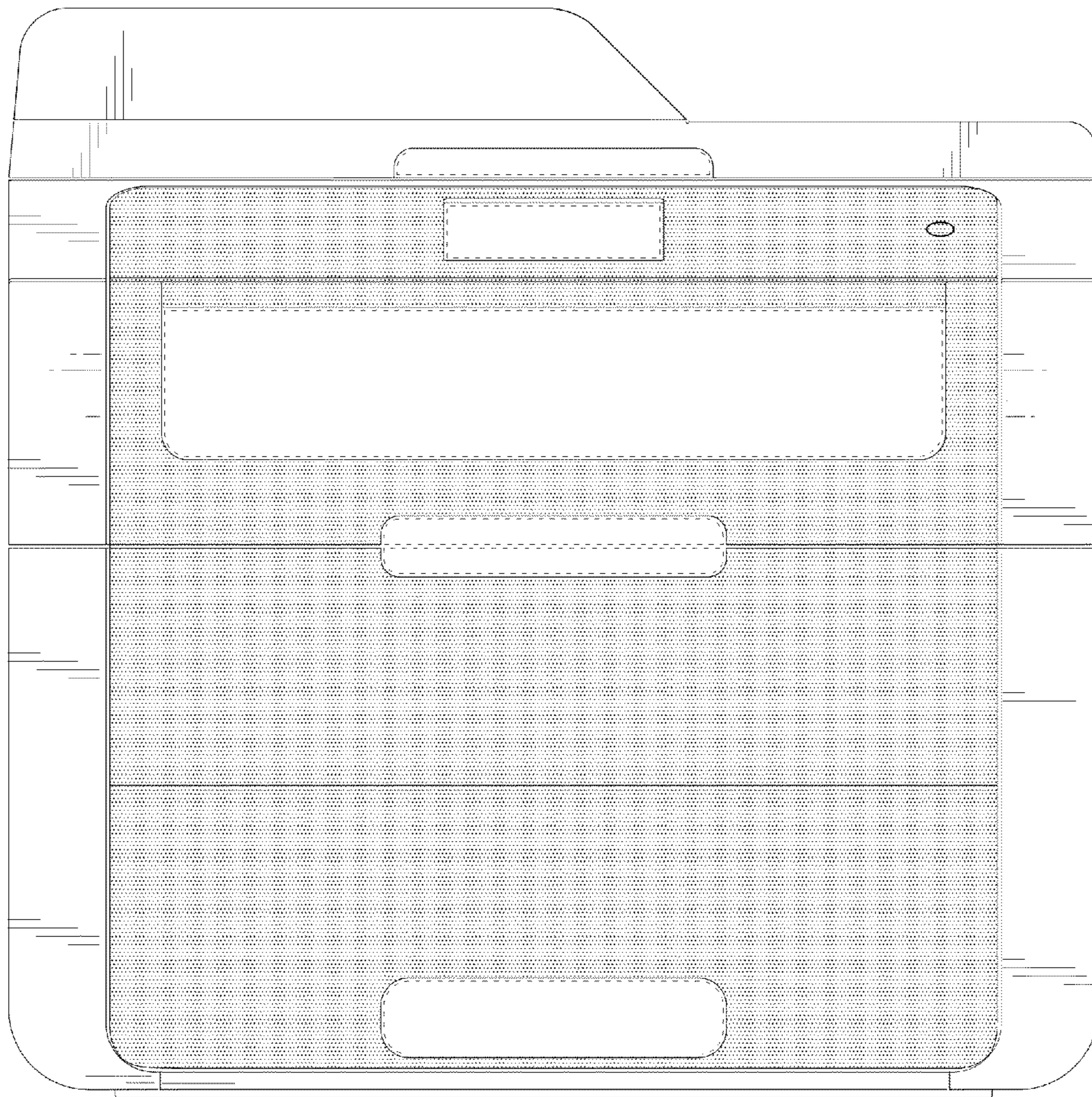


FIG. 2

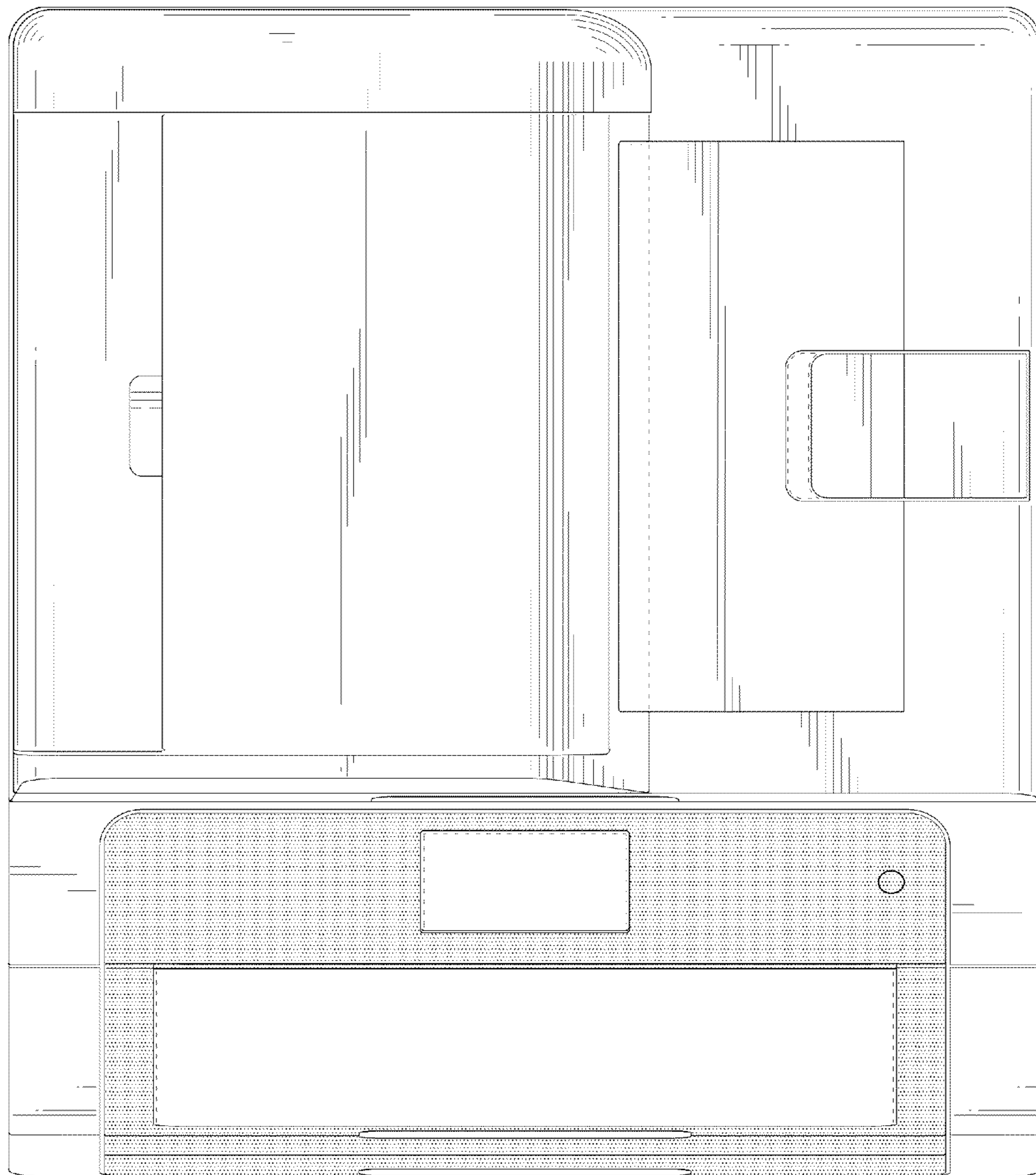


FIG. 3

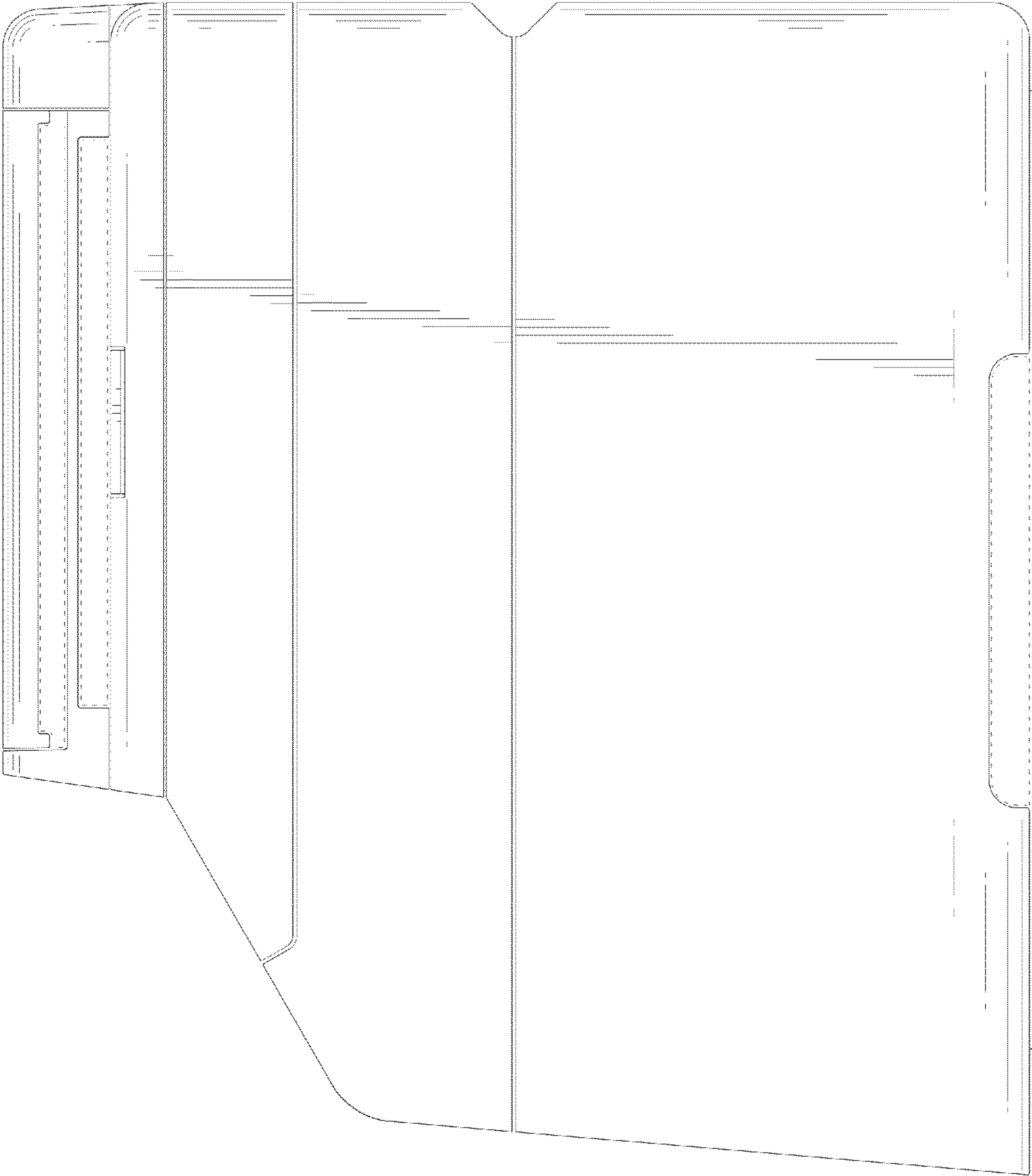


FIG. 4

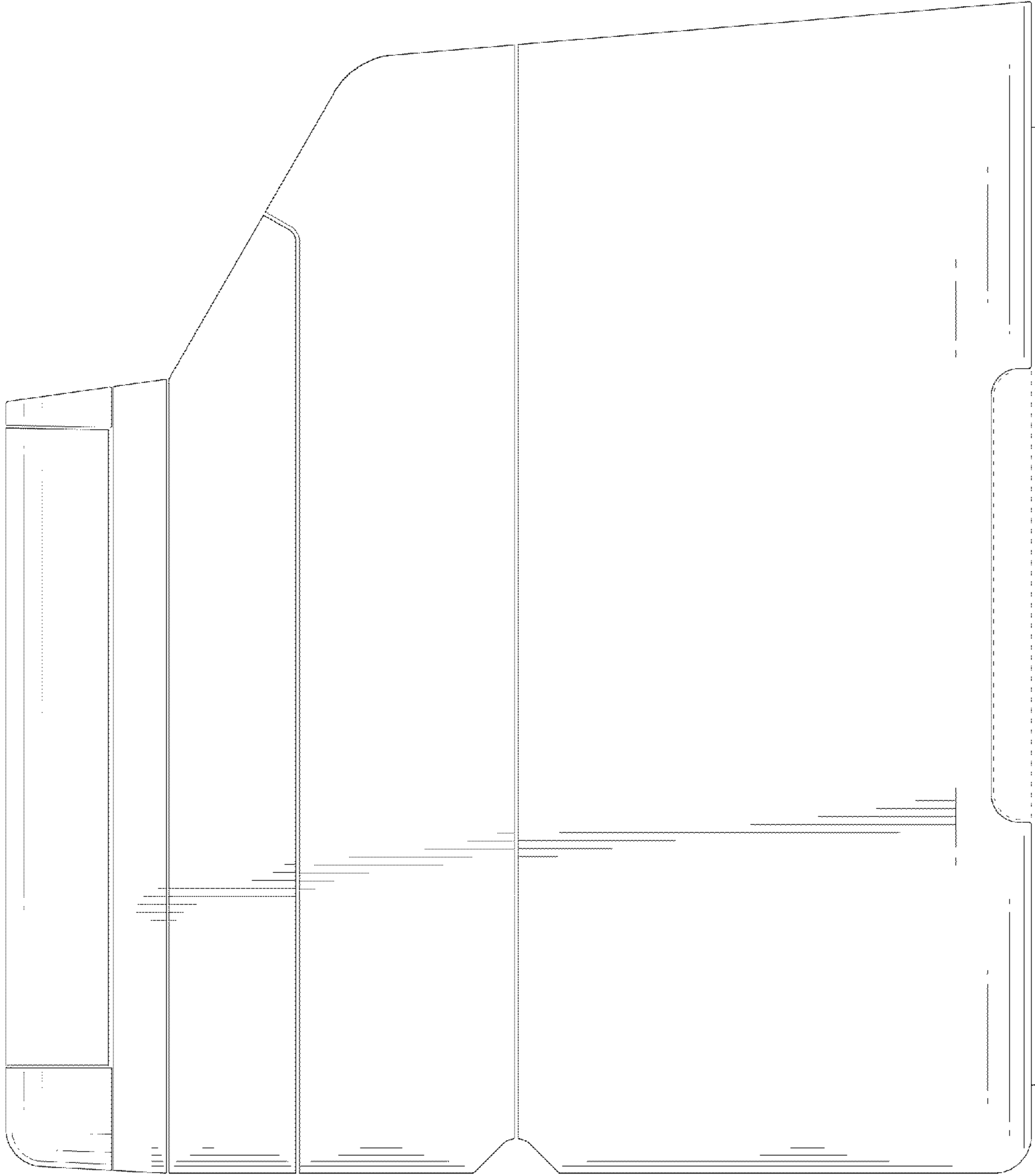


FIG. 5

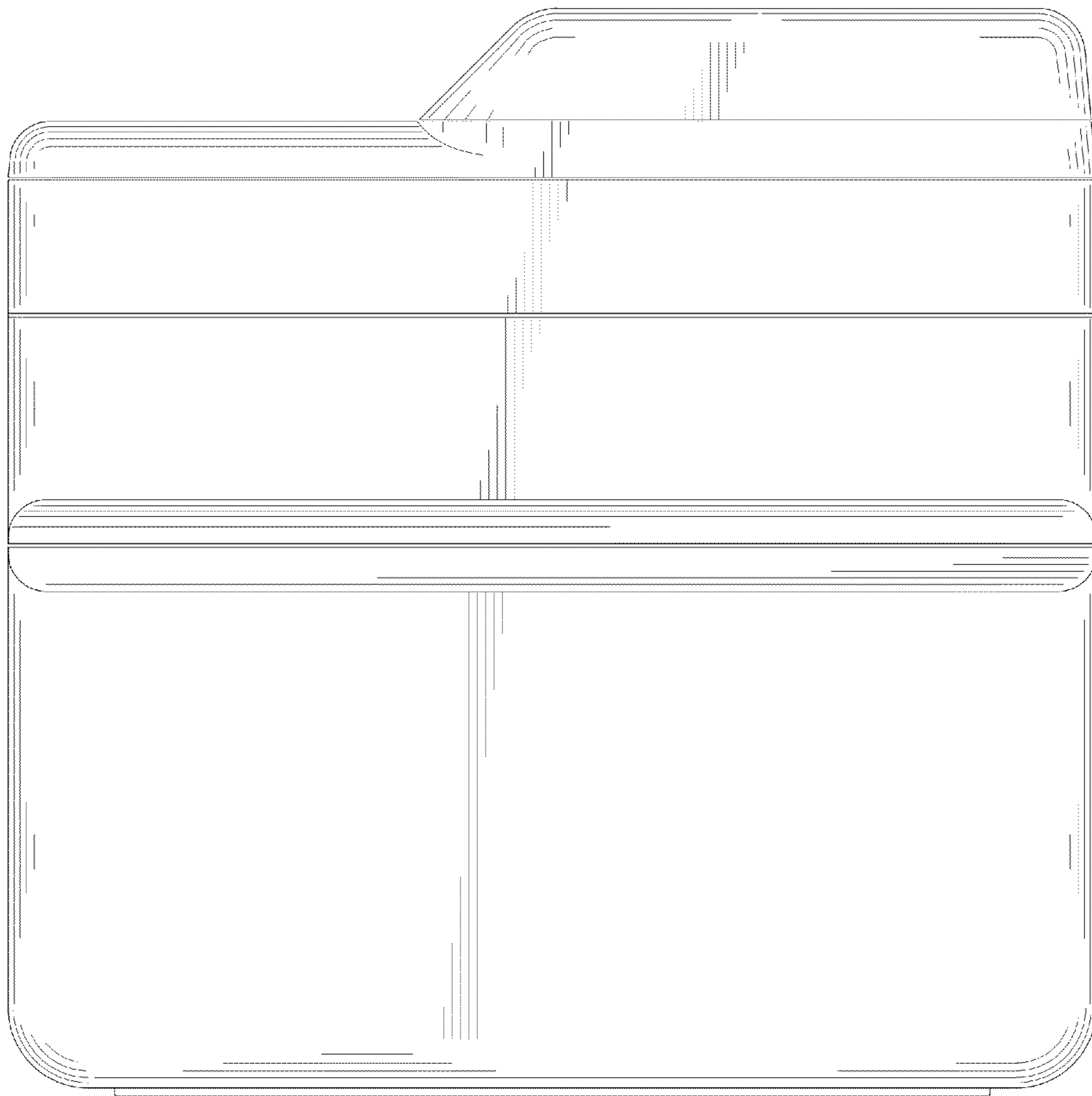


FIG. 6

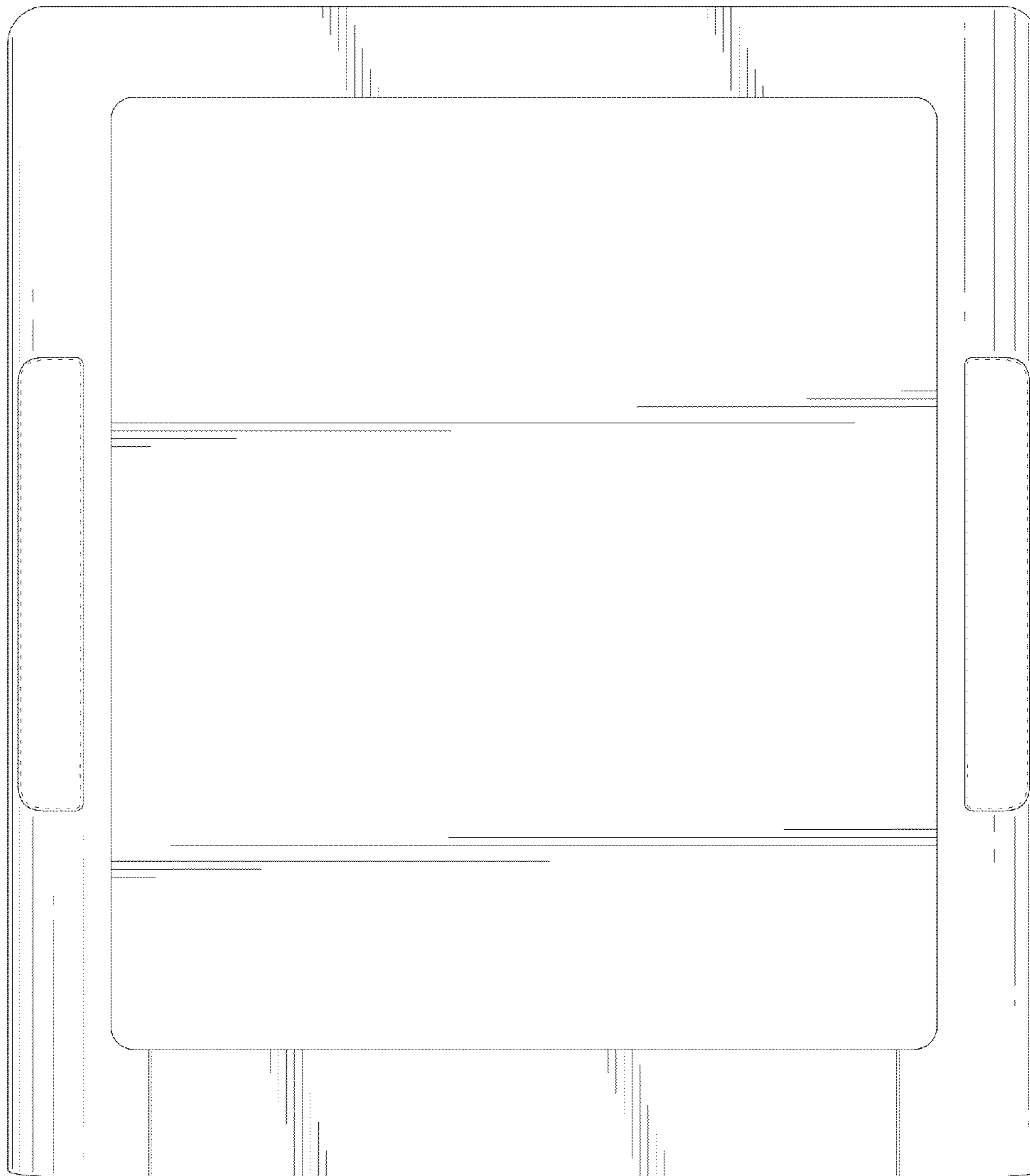


FIG. 7

UNITED STATES PATENT AND TRADEMARK OFFICE
CERTIFICATE OF CORRECTION

PATENT NO. : D697,550 S
APPLICATION NO. : 29/416921
DATED : January 14, 2014
INVENTOR(S) : Tomoyuki Nanno et al.

Page 1 of 1

It is certified that error appears in the above-identified patent and that said Letters Patent is hereby corrected as shown below:

On the title page, after “[22]” and before “[51]” insert:

-- [30] Foreign Application Priority Data

October 24, 2011 [JP] 2011-24330 --

Signed and Sealed this
Twenty-seventh Day of May, 2014



Michelle K. Lee
Deputy Director of the United States Patent and Trademark Office