

US00D697549S

(12) **United States Design Patent**
Wakimoto

(10) **Patent No.:** **US D697,549 S**
(45) **Date of Patent:** **** Jan. 14, 2014**

(54) **TONER CARTRIDGE**

(75) Inventor: **Atsuhiko Wakimoto**, Osaka (JP)

(73) Assignee: **KYOCERA Document Solutions Inc.**,
Osaka (JP)

(**) Term: **14 Years**

(21) Appl. No.: **29/432,115**

(22) Filed: **Sep. 13, 2012**

(30) **Foreign Application Priority Data**

Mar. 30, 2012 (JP) 2012-007580
Mar. 30, 2012 (JP) 2012-007581
Mar. 30, 2012 (JP) 2012-007582

(51) **LOC (10) Cl.** **16-03**

(52) **U.S. Cl.**
USPC **D18/43**

(58) **Field of Classification Search**
USPC D14/471; D18/12, 36, 40, 43, 44, 56;
222/DIG. 1; 347/197, 222; 399/24–28,
399/107–112, 119, 121, 122, 222–224

See application file for complete search history.

(56) **References Cited**

U.S. PATENT DOCUMENTS

D379,829	S	*	6/1997	Hayashi	D18/56
D524,849	S	*	7/2006	Komai	D18/43
D562,881	S	*	2/2008	Hatanaka	D18/43
D562,882	S	*	2/2008	Hatanaka	D18/43
7,515,839	B2	*	4/2009	Hatanaka	399/27
D647,557	S	*	10/2011	Iketani	D18/43
2007/0025758	A1	*	2/2007	William et al.	399/109
2010/0092207	A1	*	4/2010	Ito et al.	399/109

* cited by examiner

Primary Examiner — Garth Rademaker

(74) *Attorney, Agent, or Firm* — Young & Thompson

(57) **CLAIM**

The ornamental design for a toner cartridge, as shown and described.

DESCRIPTION

FIG. 1 is a front, left, and top perspective view a toner cartridge according to my new design;
FIG. 2 is a front, right, and bottom perspective view thereof;
FIG. 3 is a front view thereof;
FIG. 4 is a rear view thereof;
FIG. 5 is a left side view thereof;
FIG. 6 is a right side view thereof;
FIG. 7 is a top view thereof; and,
FIG. 8 is a bottom view thereof.

The portions of the design shown in broken lines show unclaimed subject matter.

1 Claim, 7 Drawing Sheets

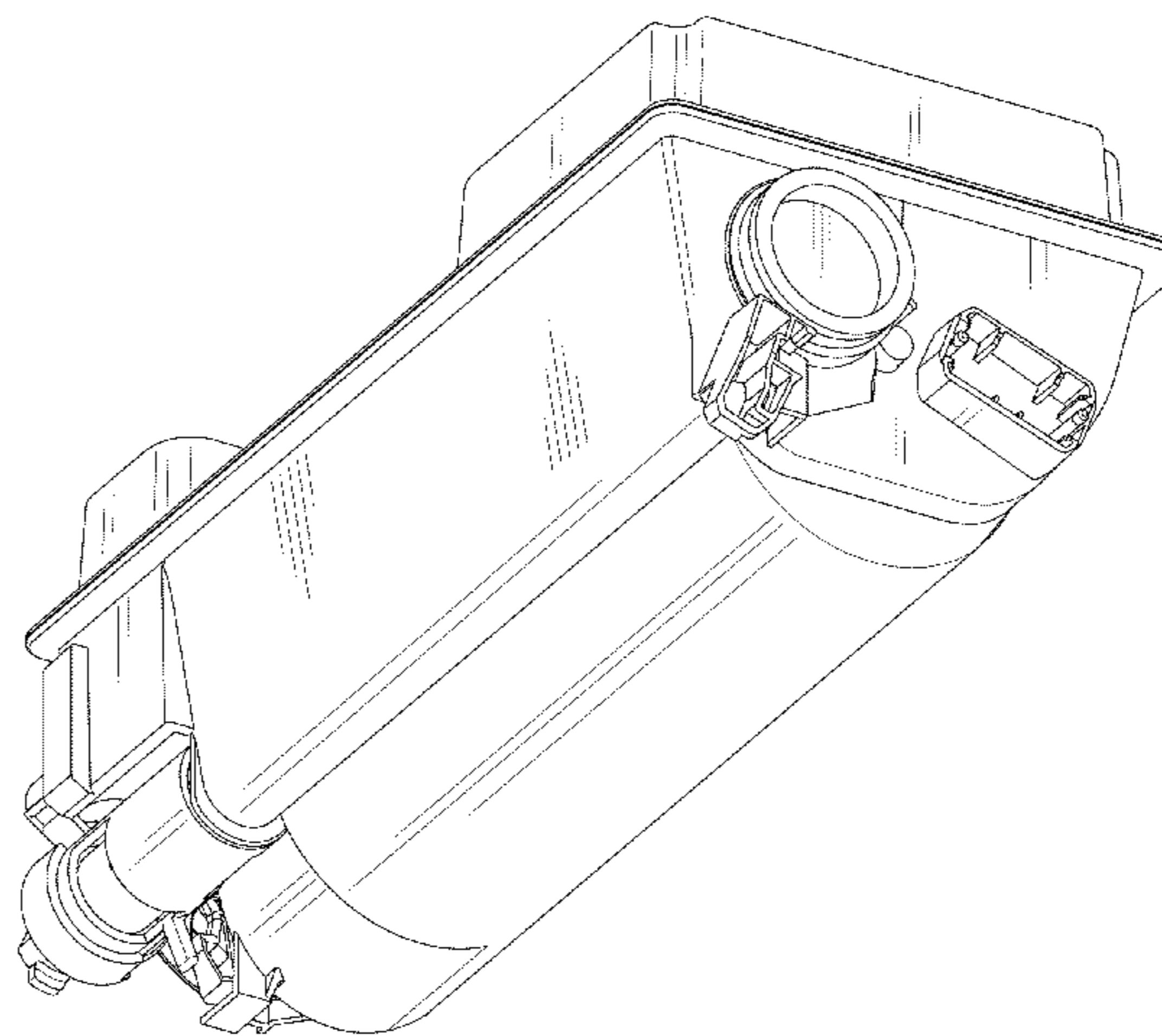
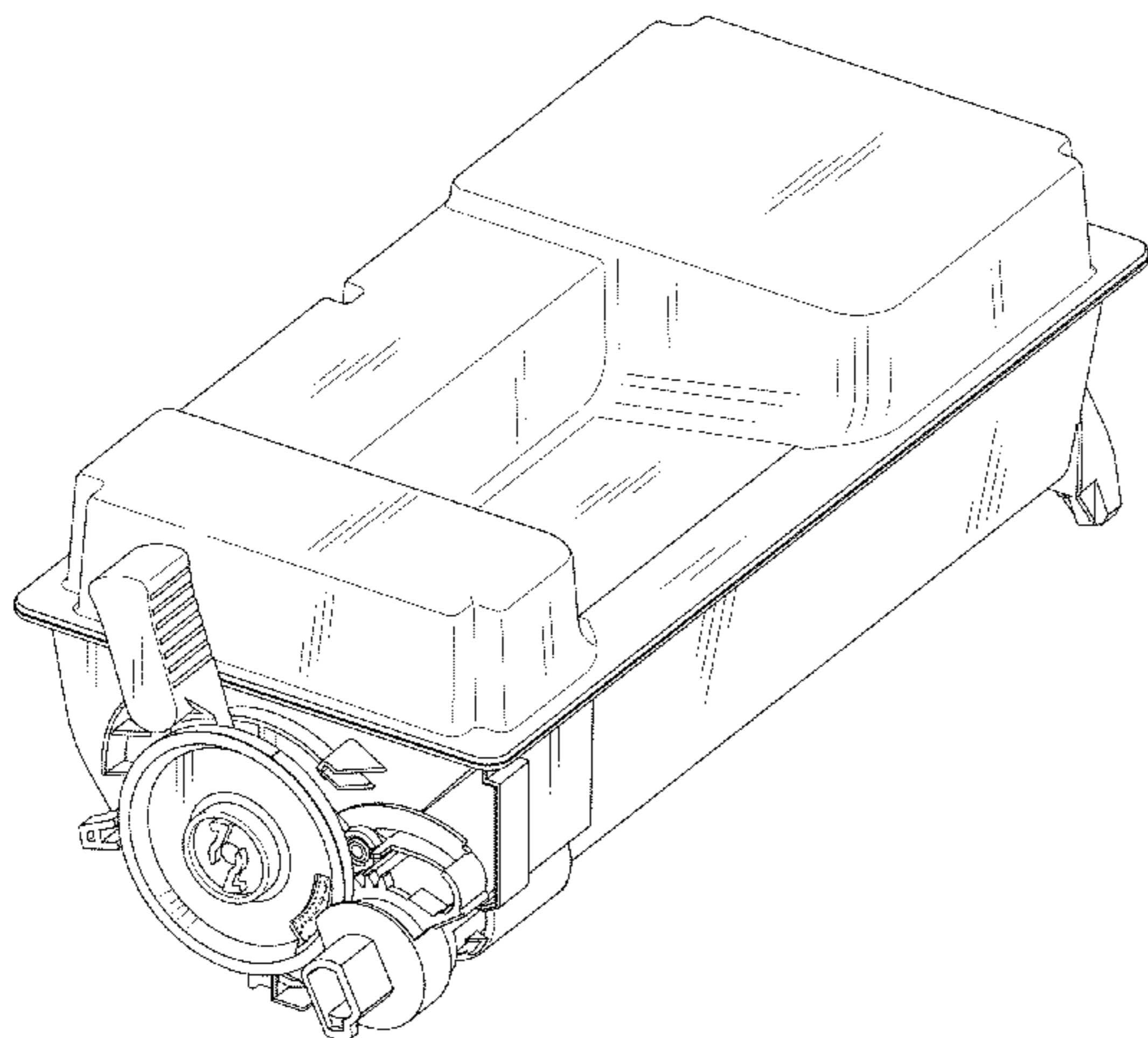


Fig. 1

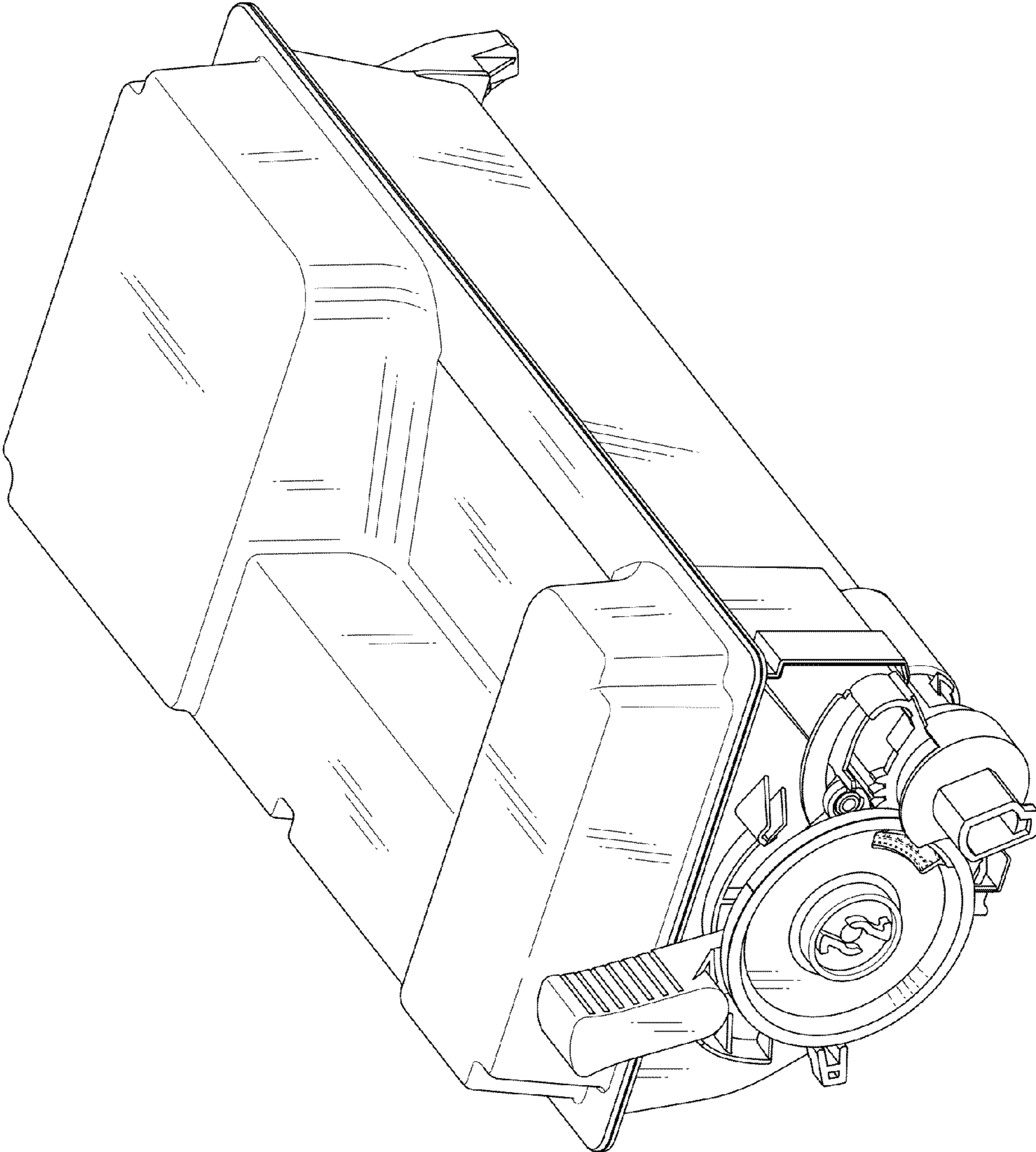


Fig. 2

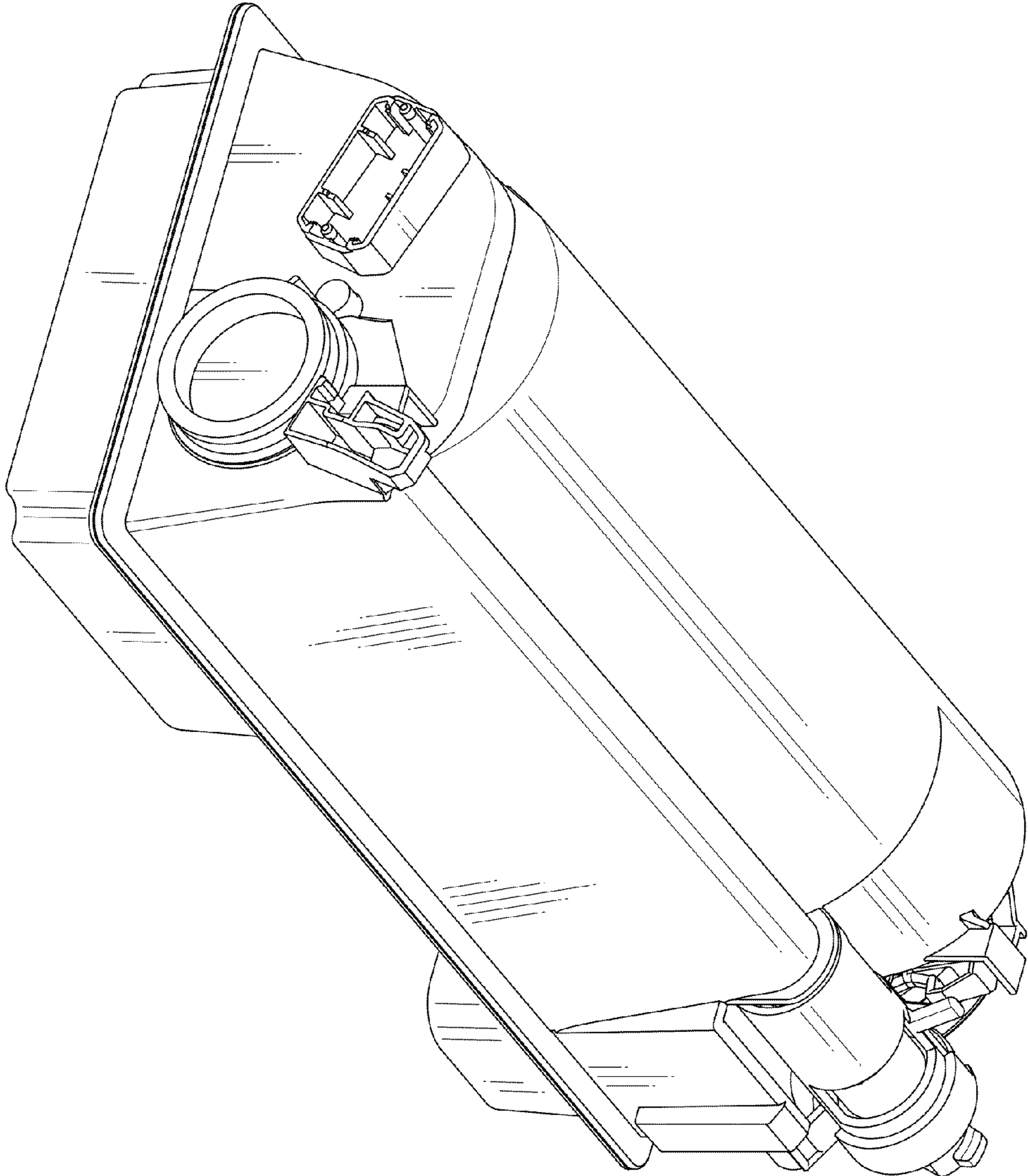


Fig. 3

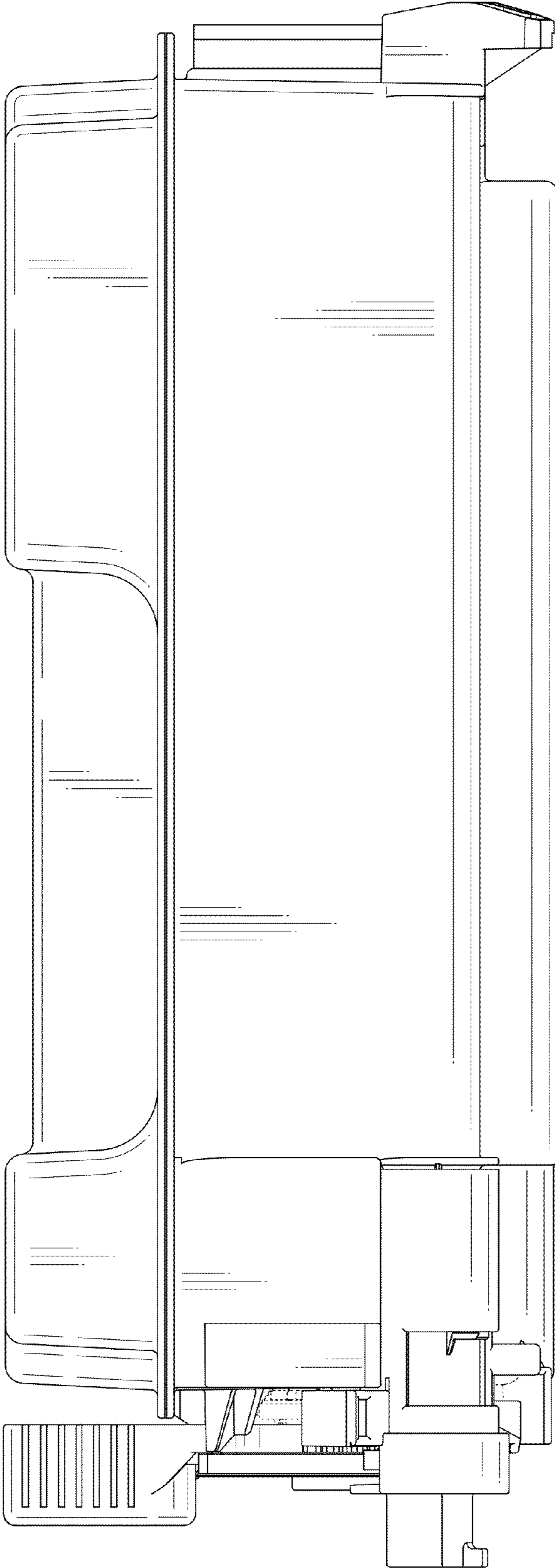


Fig. 4

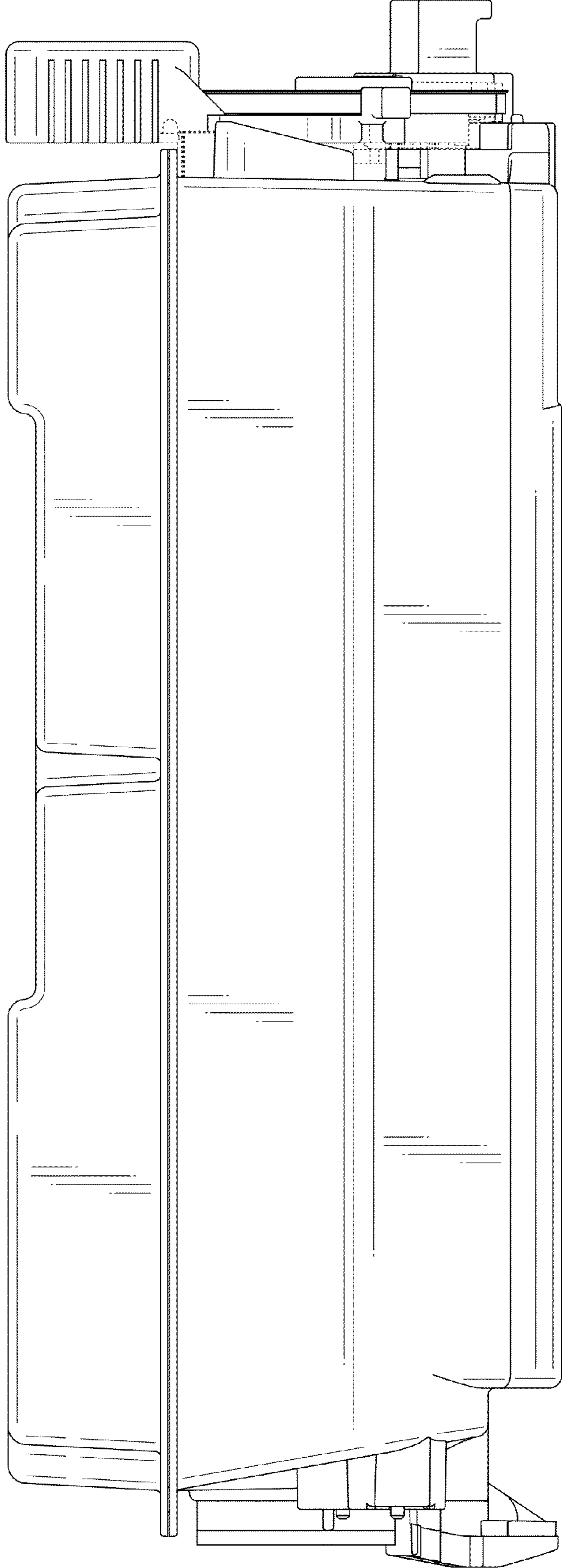


Fig. 6

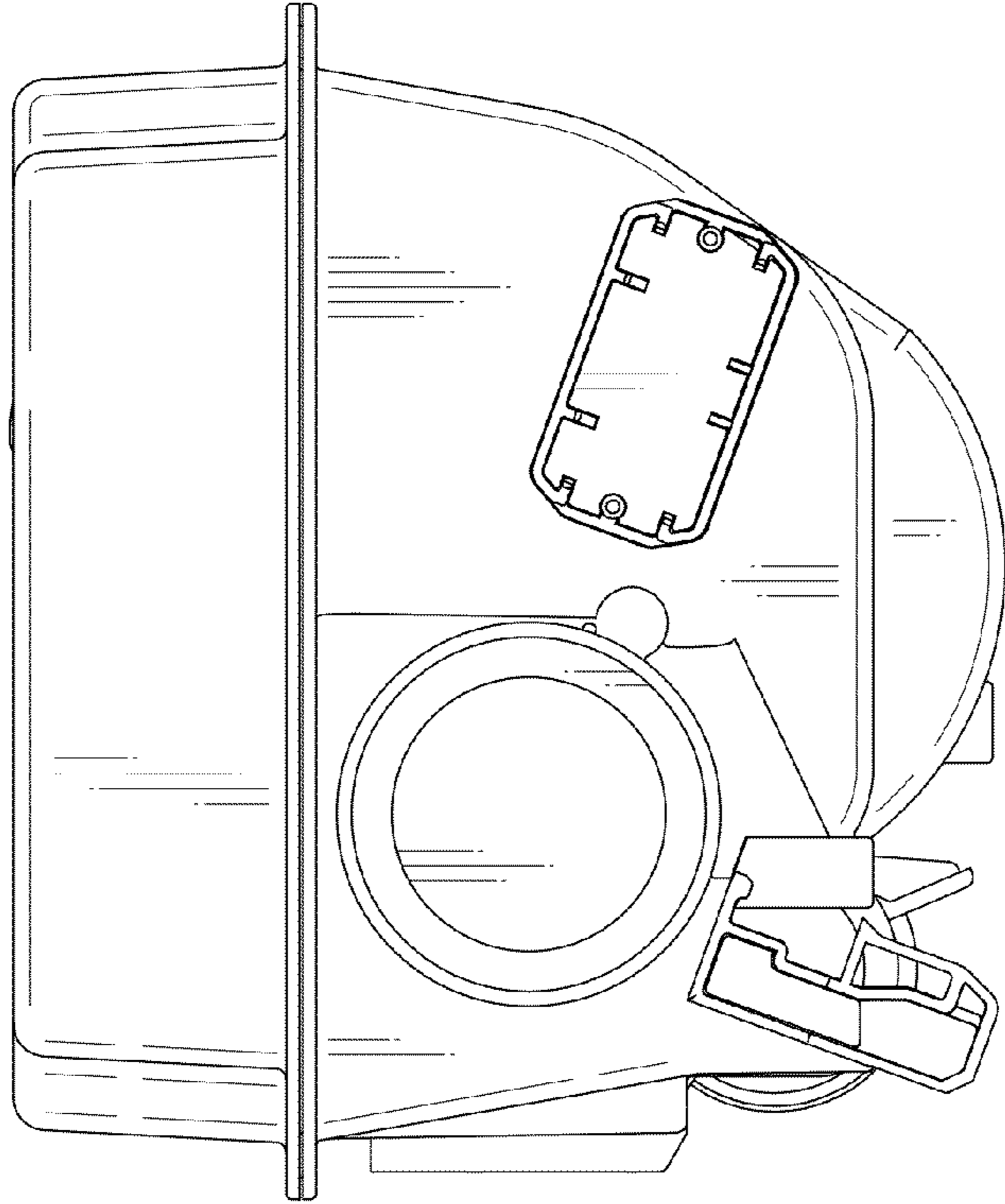


Fig. 5

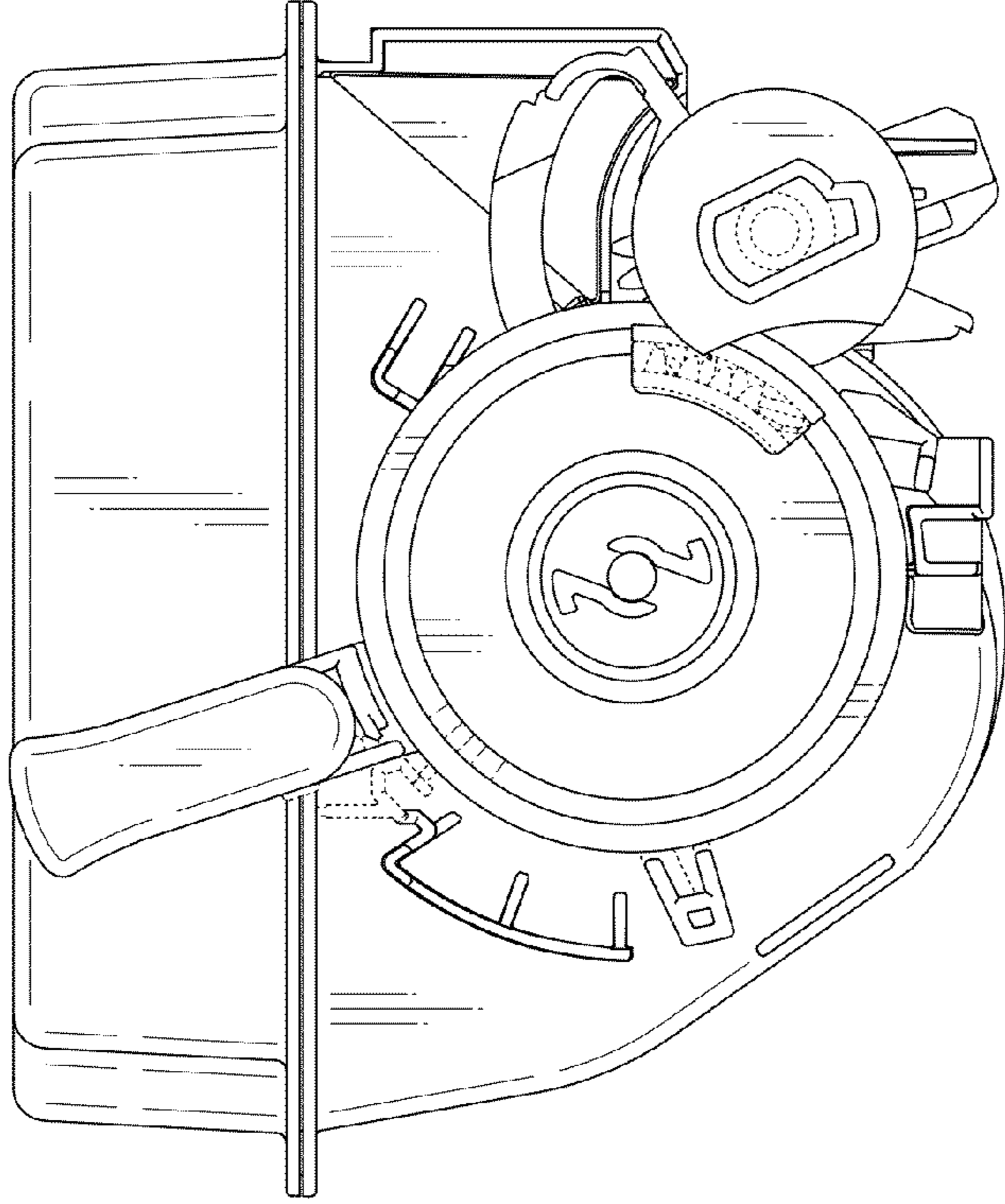


Fig. 7

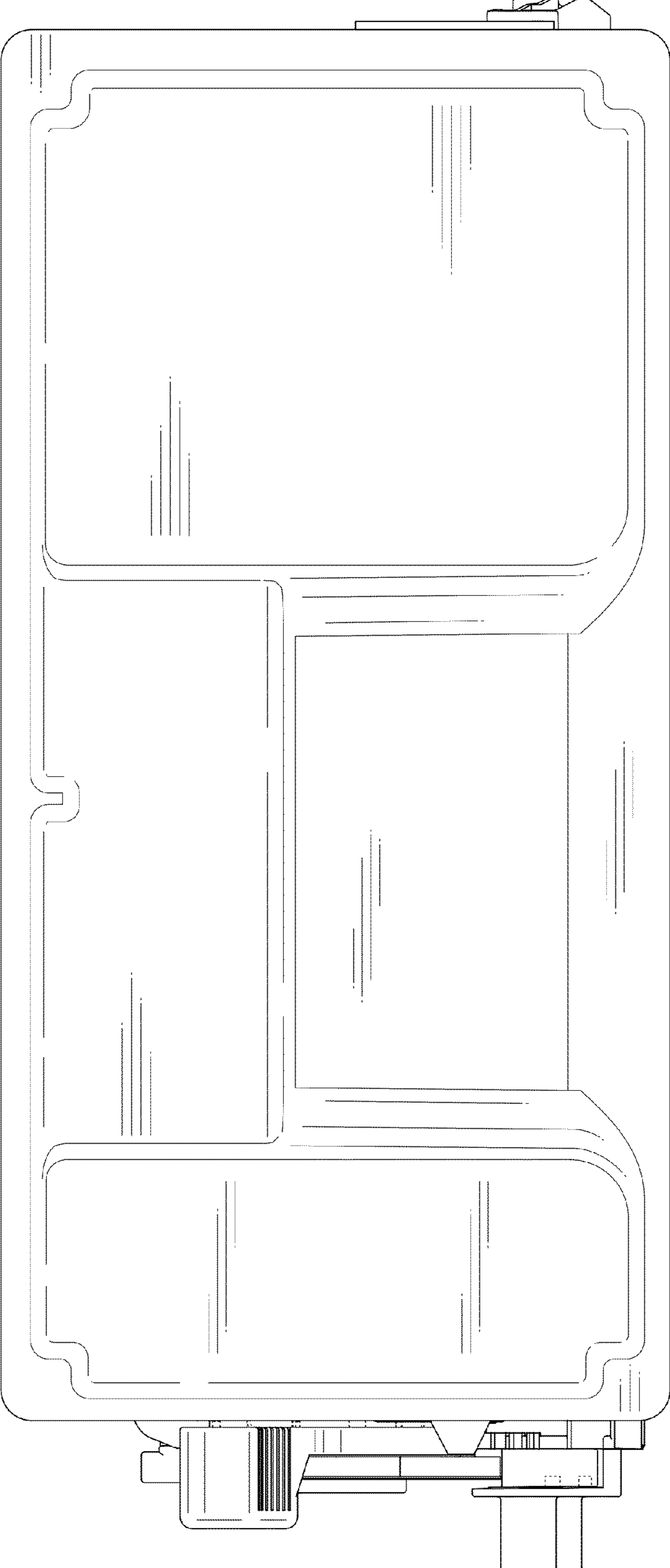


Fig. 8

