



US00D697547S

(12) **United States Design Patent**
Miera

(10) **Patent No.:** **US D697,547 S**
(45) **Date of Patent:** **** Jan. 14, 2014**

(54) **EYEGLASS**

D407,428 S 3/1999 Jannard et al.
D415,188 S 10/1999 Thixton et al.
D456,441 S 4/2002 Jannard et al.

(71) Applicant: **Milner Distribution Alliance, Inc.**,
Monument, CO (US)

(Continued)

(72) Inventor: **Brandon Miera**, Colorado Springs, CO
(US)

FOREIGN PATENT DOCUMENTS

(73) Assignee: **Milner Distribution Alliance, Inc.**,
Monument, CO (US)

DE 29912275 U1 11/1999
EP 1582909 A1 10/2005
JP 2007286210 A 11/2007
WO 9721139 A1 6/1997

(**) Term: **14 Years**

Primary Examiner — Raphael Barkai

(21) Appl. No.: **29/461,294**

(74) *Attorney, Agent, or Firm* — Perkins Coie LLP

(22) Filed: **Jul. 22, 2013**

(57) **CLAIM**

(51) **LOC (10) Cl.** **16-06**

The ornamental design for an eyeglass, as shown and described.

(52) **U.S. Cl.**

DESCRIPTION

USPC **D16/315**; D16/335

(58) **Field of Classification Search**

USPC D16/101, 300–342, 900; D29/109–110;
351/41, 44, 51–52, 62, 158, 92,
351/103–123, 140–153, 45–46; 2/426–432,
2/447–449, 441, 434–437, 13, 15;
D21/483, 659–661; D14/372

See application file for complete search history.

FIG. 1 is a front perspective view of the eyeglass of the present application;
FIG. 2 is a front elevation view thereof;
FIG. 3 is a rear elevation view thereof;
FIG. 4 is a right elevation view thereof;
FIG. 5 is a left elevation view thereof;
FIG. 6 is a top elevation view thereof;
FIG. 7 is a bottom elevation view thereof;
FIG. 8 is a front perspective view of the eyeglass of FIG. 1 without the ball marker shown in phantom in FIG. 1;
FIG. 9 is a front elevation view thereof;
FIG. 10 is a rear elevation view thereof;
FIG. 11 is a right elevation view thereof;
FIG. 12 is a left elevation view thereof without the ball marker shown in phantom in FIG. 5;
FIG. 13 is a top elevation view thereof; and,
FIG. 14 is a bottom elevation view thereof.

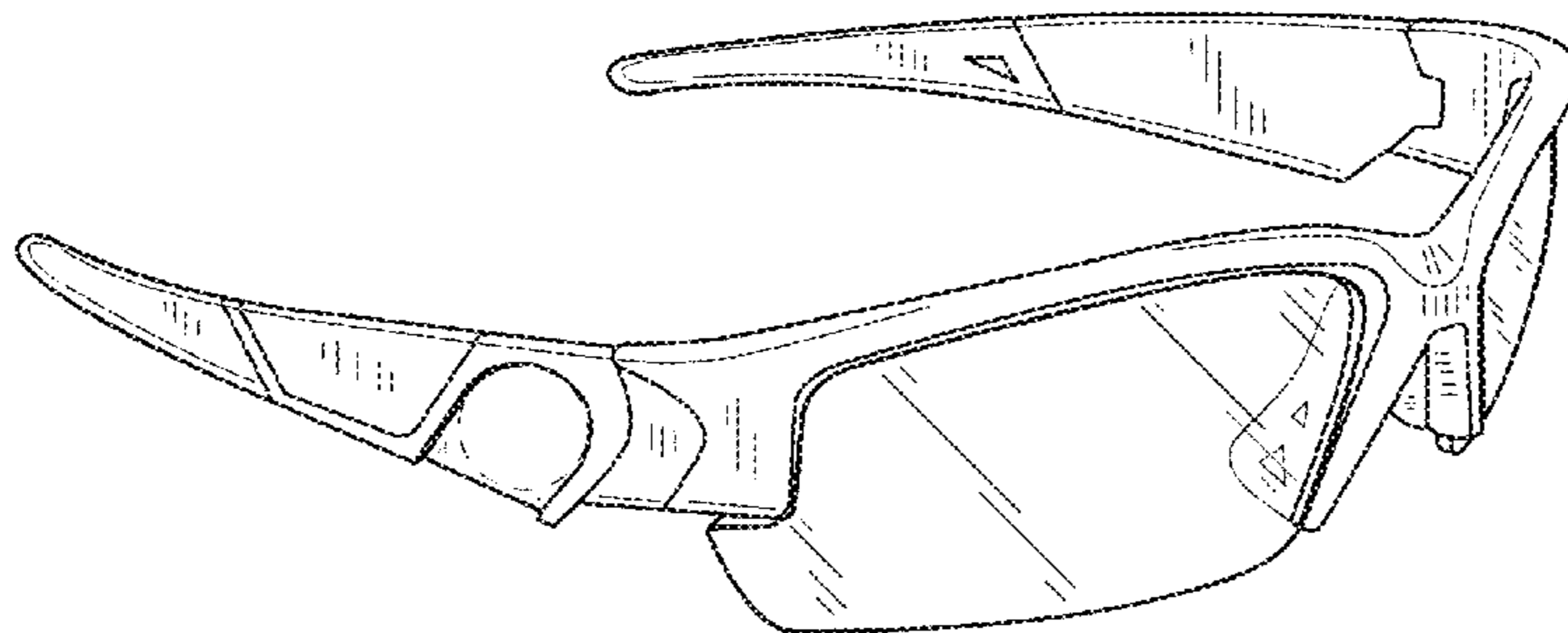
(56) **References Cited**

U.S. PATENT DOCUMENTS

D323,333 S 1/1992 Jannard et al.
D325,040 S 3/1992 Jannard
D329,445 S 9/1992 Jannard
D330,035 S 10/1992 Jannard
D330,716 S 11/1992 Jannard
D342,959 S 1/1994 Jannard et al.
D354,501 S 1/1995 Jannard
5,541,674 A 7/1996 Jannard
D376,810 S 12/1996 Ohie
D384,364 S 9/1997 Yee
D399,519 S 10/1998 Yee
D399,866 S 10/1998 Yee
D400,232 S 10/1998 Jannard et al.

Phantom lining, where used, is for illustrative purposes only and is not intended to limit the claimed design to the features shown in phantom.

1 Claim, 10 Drawing Sheets



(56)

References Cited

U.S. PATENT DOCUMENTS

D464,669 S	10/2002	Thixton et al.	D561,809 S	2/2008	Yee	
D469,459 S	1/2003	Moritz	D561,813 S	2/2008	Baden et al.	
D478,114 S	8/2003	Yee	D564,568 S	3/2008	Moritz	
D478,929 S	8/2003	Baden et al.	D564,571 S	3/2008	Jannard et al.	
D484,173 S	12/2003	Jannard et al.	D565,088 S	3/2008	Baden et al.	
D496,383 S	9/2004	Yee et al.	D568,366 S *	5/2008	Chen	D16/315
D496,680 S	9/2004	Yee	D569,412 S	5/2008	Jannard et al.	
D497,380 S	10/2004	Thixton et al.	D581,443 S	11/2008	Jannard et al.	
D502,959 S	3/2005	Hsu	D581,444 S	11/2008	Jannard et al.	
D508,515 S	8/2005	Yee et al.	D581,449 S	11/2008	Yee	
D513,275 S	12/2005	Yee	D586,379 S	2/2009	Thixton et al.	
D525,280 S	7/2006	Yee et al.	D590,432 S	4/2009	Yee	
D539,829 S	4/2007	Chuang	D591,787 S	5/2009	Yee	
D543,572 S	5/2007	Yee et al.	D601,613 S	10/2009	Yee	
D543,574 S	5/2007	Jannard et al.	D604,757 S	11/2009	Yee	
D544,020 S	6/2007	Thixton et al.	D614,226 S	4/2010	Fulton et al.	
D545,868 S	7/2007	Chuang	D622,755 S	8/2010	Yee	
D547,794 S	7/2007	Jannard et al.	D628,229 S *	11/2010	Fuchs	D16/315
D554,689 S	11/2007	Jannard et al.	D640,725 S	6/2011	Moritz et al.	
D555,705 S	11/2007	Chuang	D645,492 S *	9/2011	Zhao	D16/309
D556,243 S *	11/2007	Elmore	D659,180 S	5/2012	Moritz	
D558,816 S	1/2008	Yee	D664,590 S	7/2012	Shin	
			D683,786 S *	6/2013	Miera	D16/315
			D683,787 S *	6/2013	Miera	D16/315
			2007/0024806 A1	2/2007	Blanshay et al.	

* cited by examiner

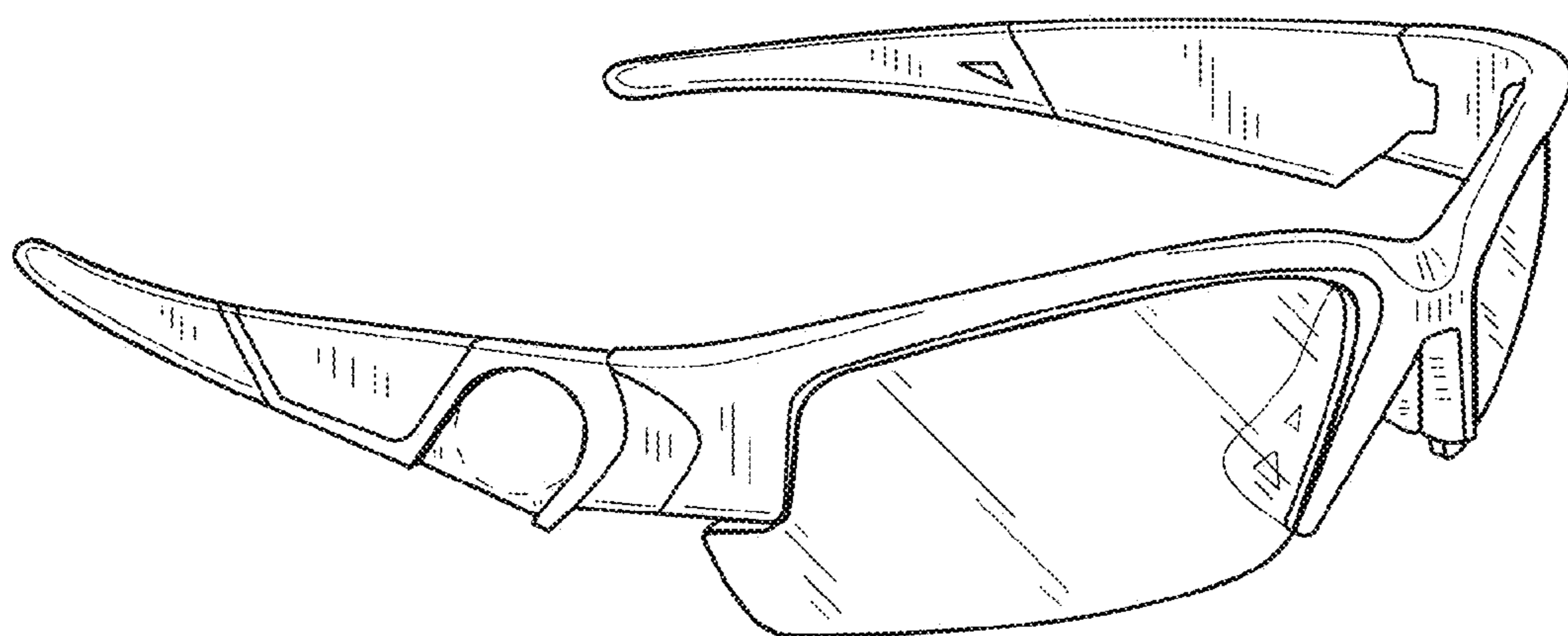


FIG. 1

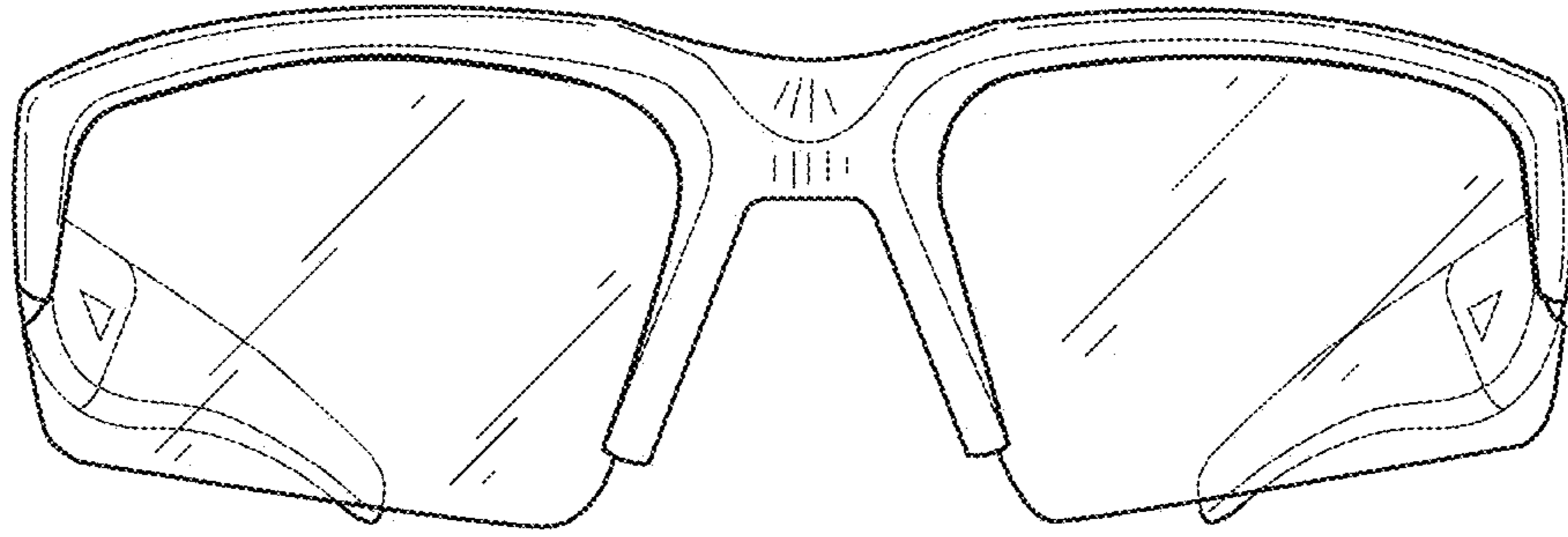


FIG.2

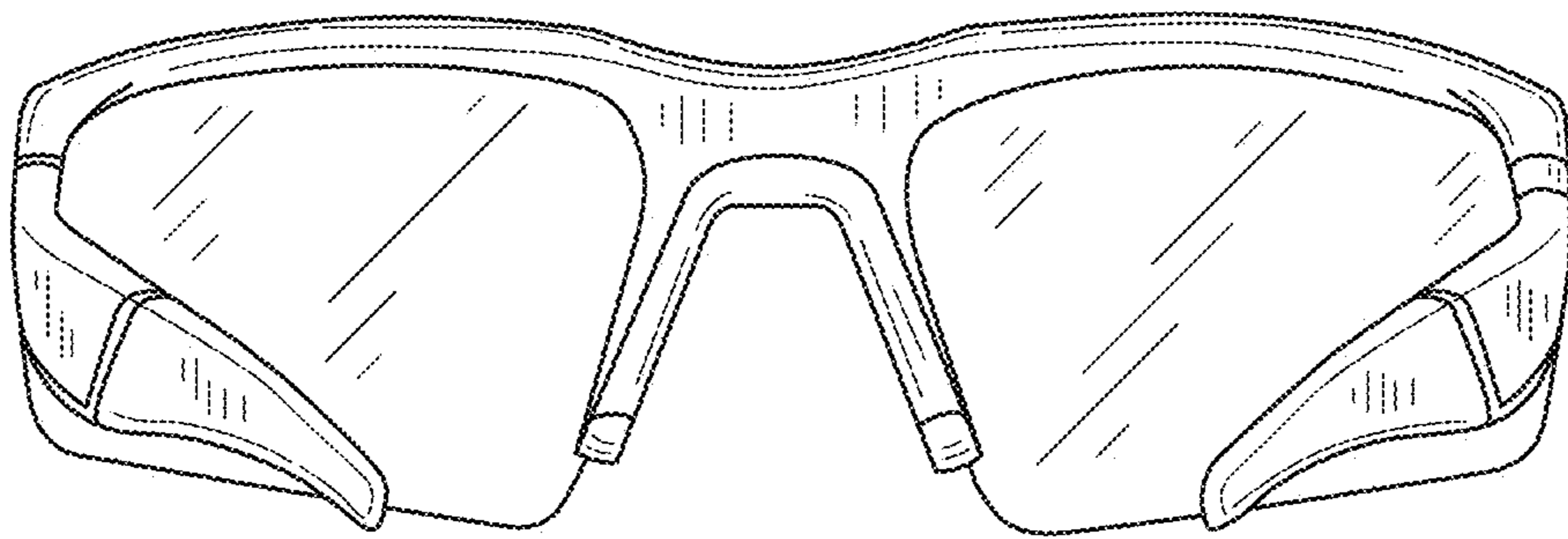


FIG.3

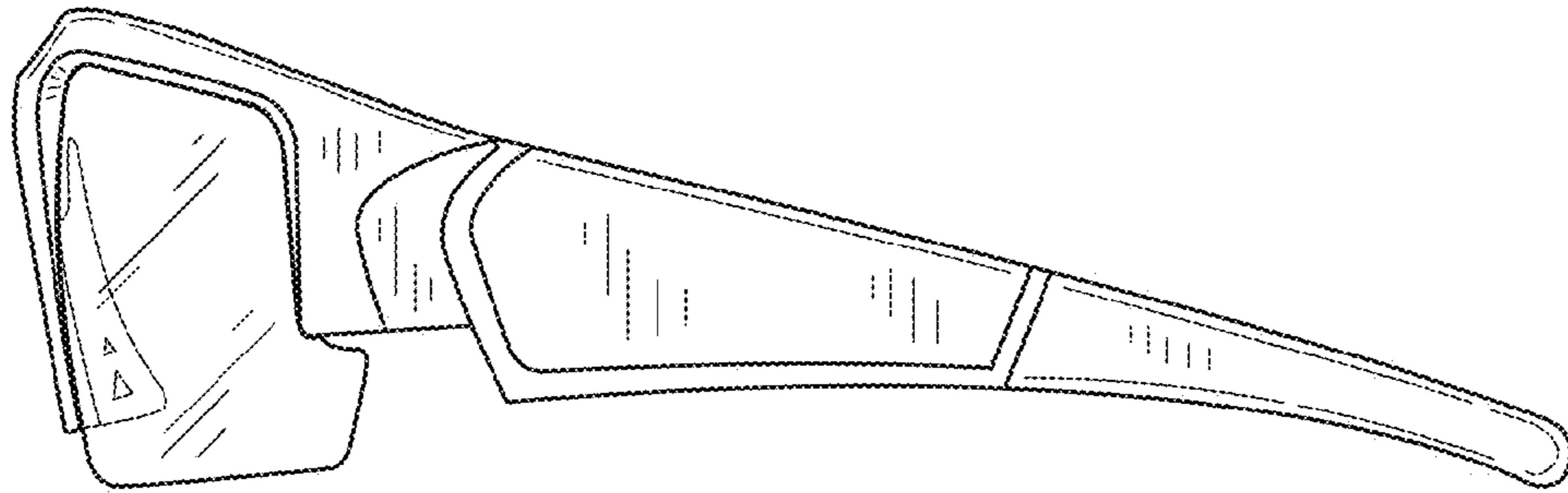


FIG. 4

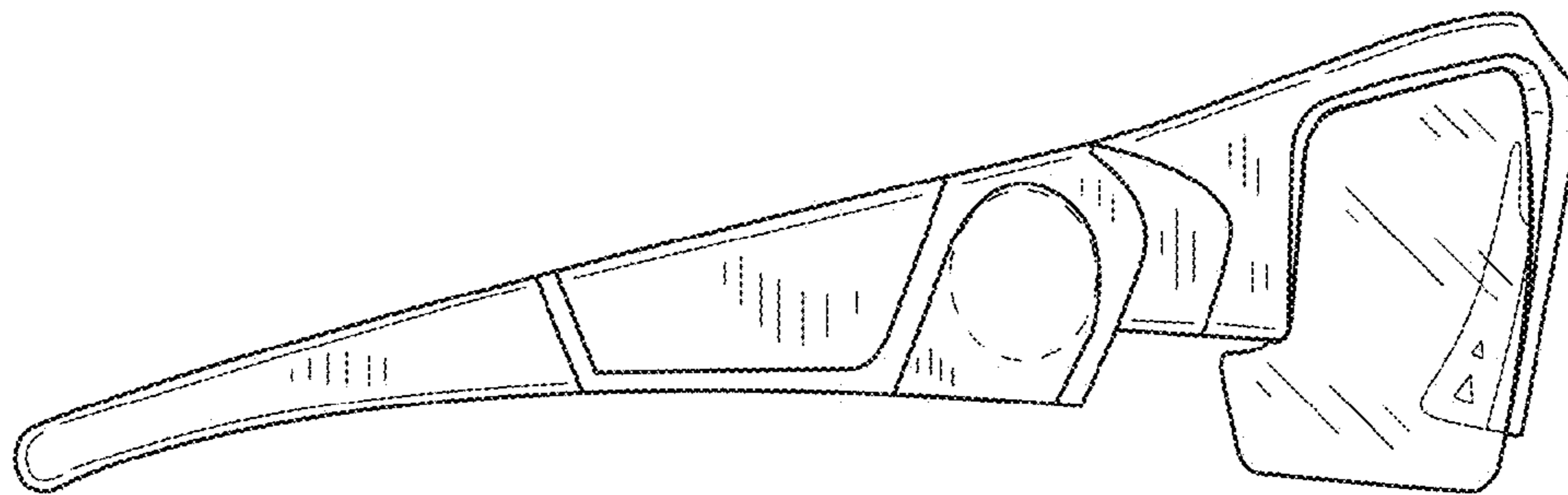


FIG. 5

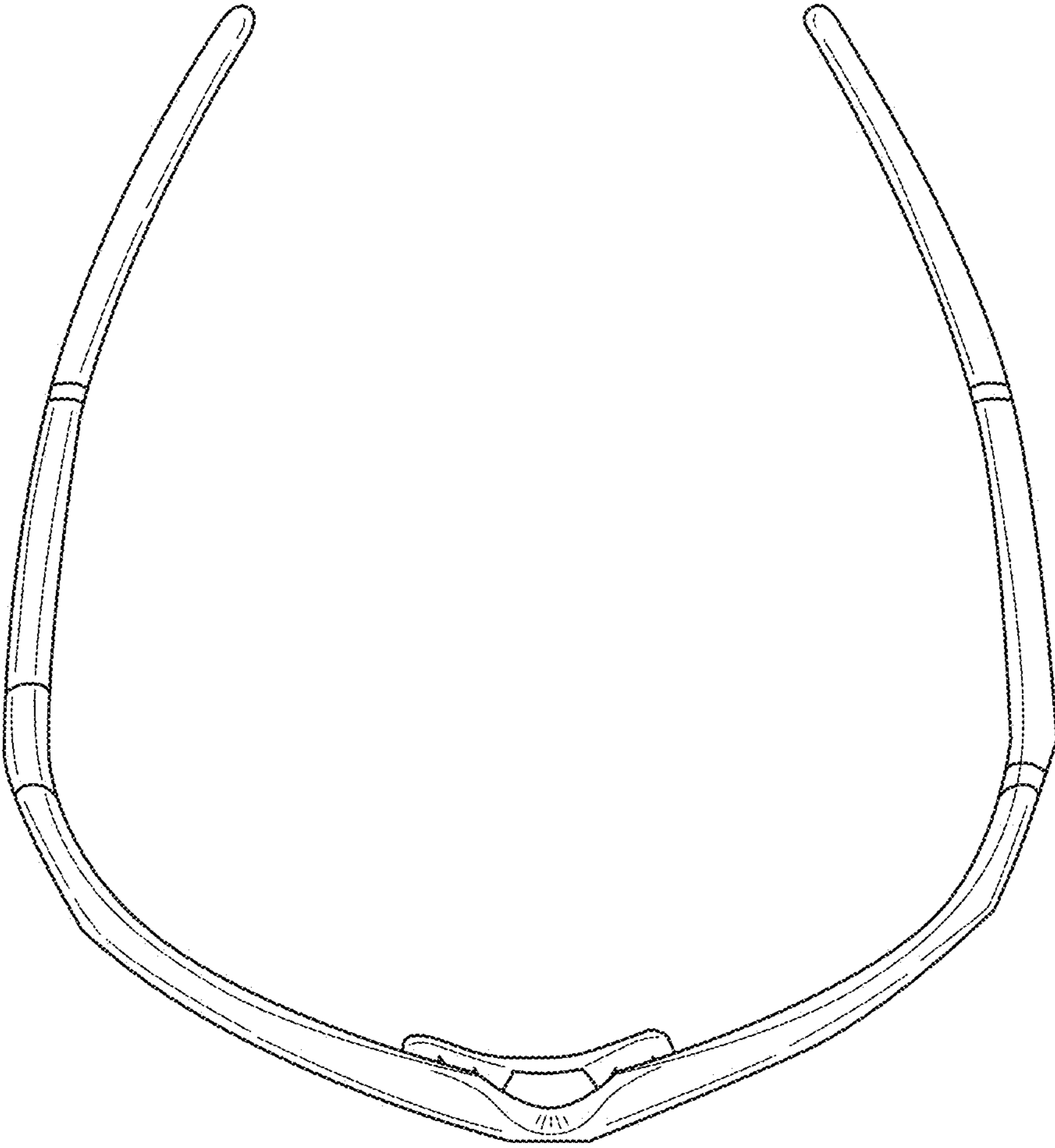


FIG.6

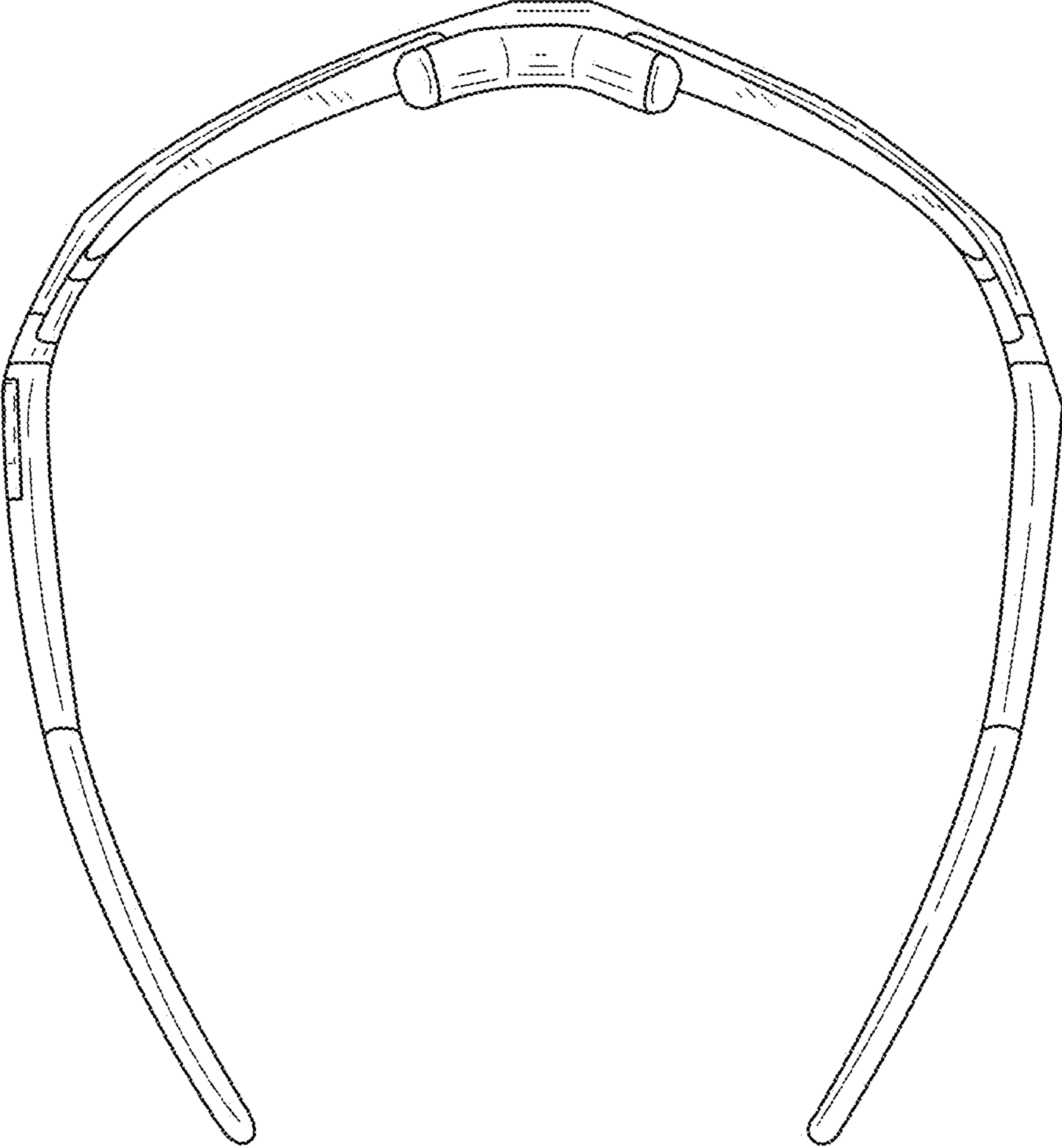


FIG.7

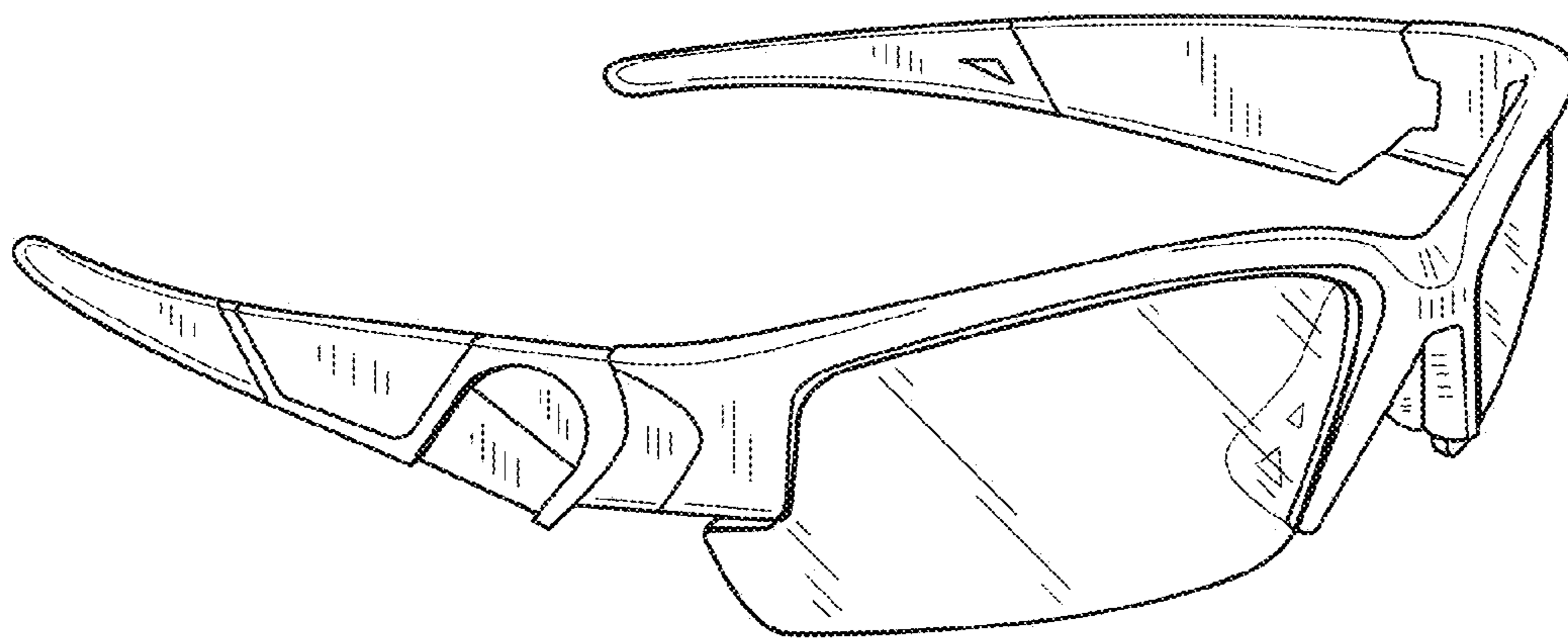


FIG.8

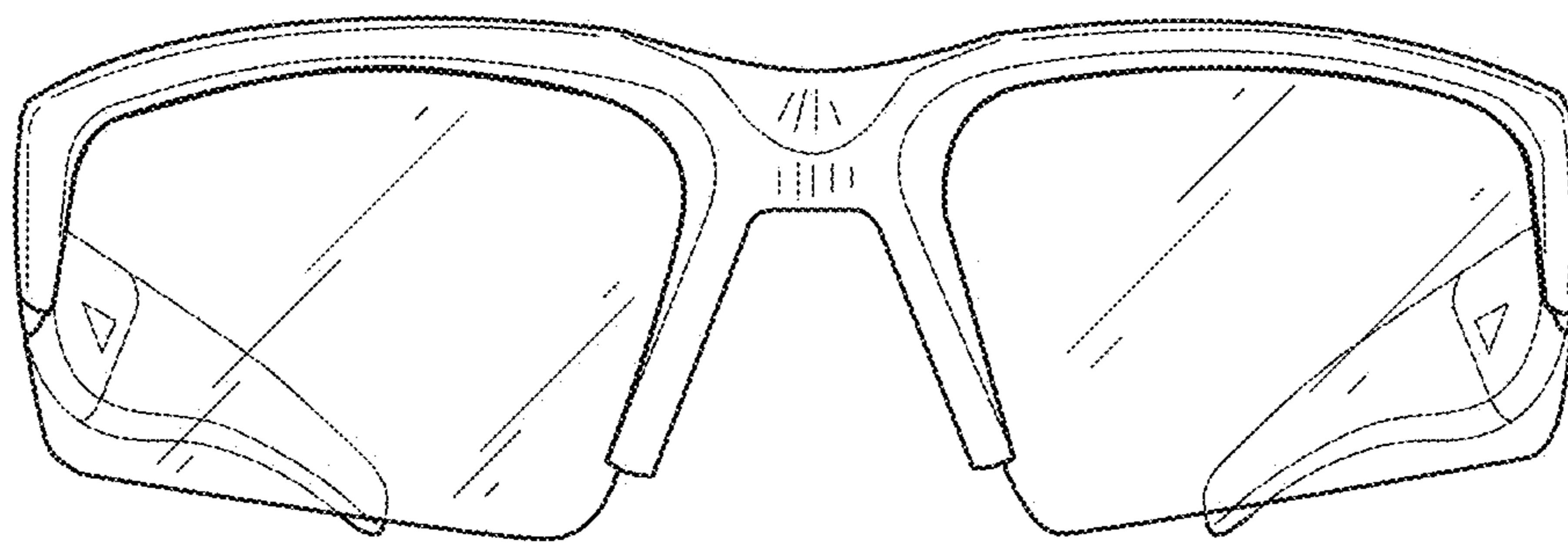


FIG.9

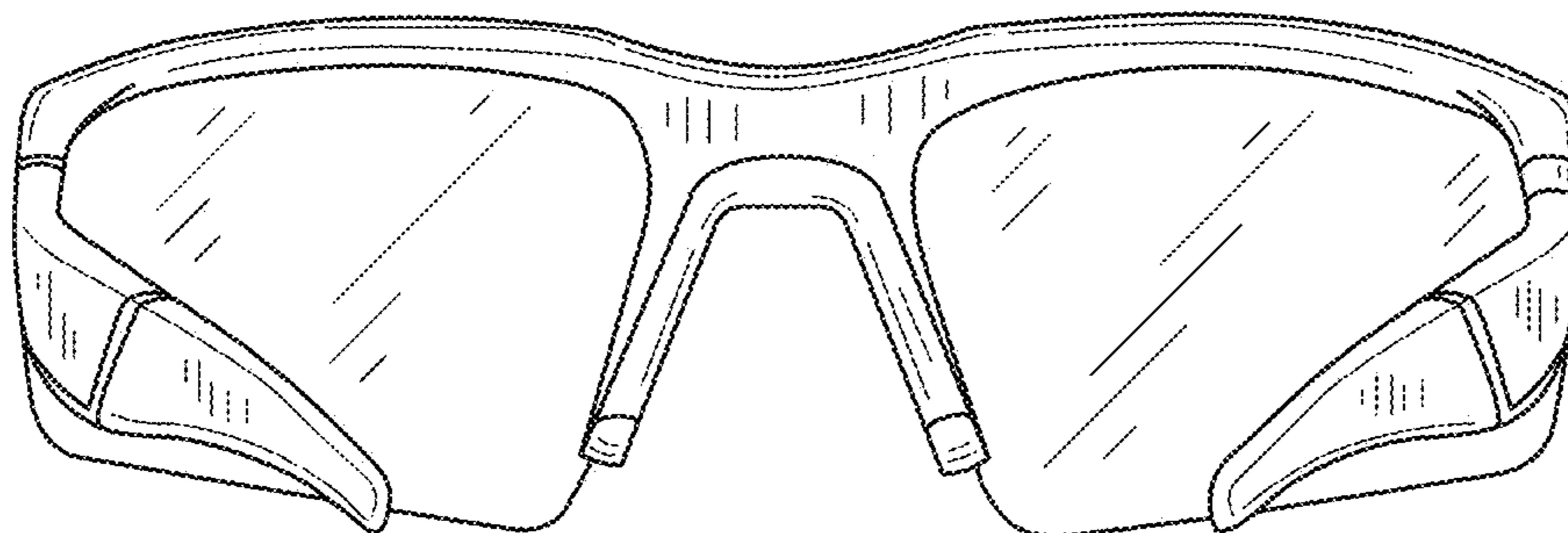


FIG.10

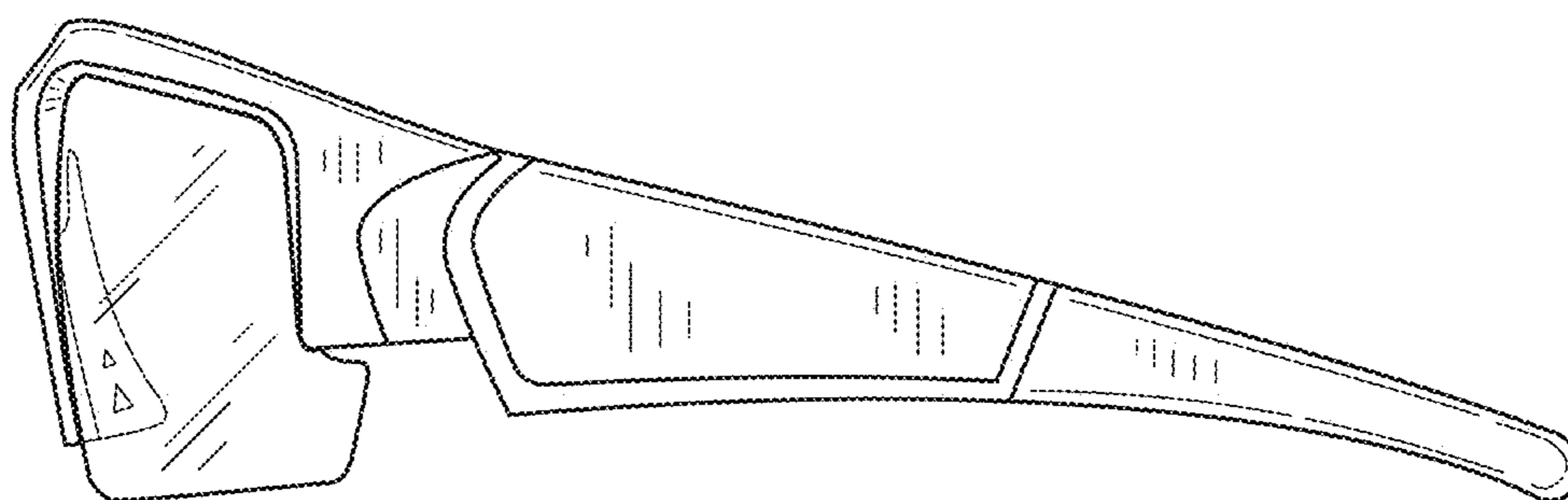


FIG. 11

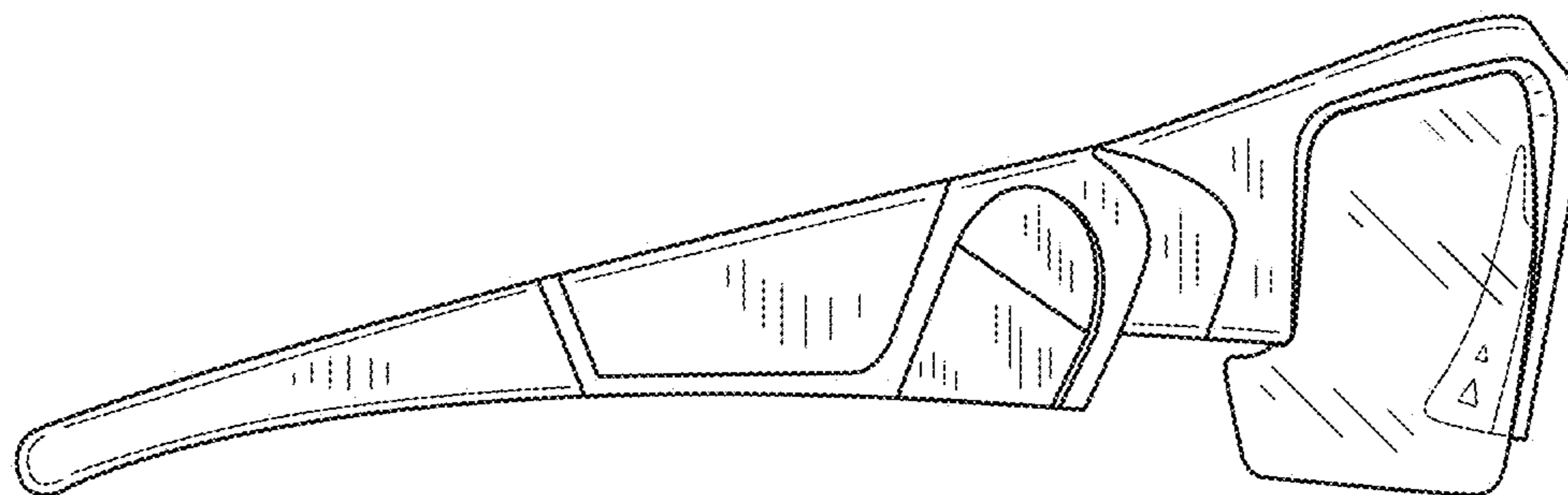


FIG. 12

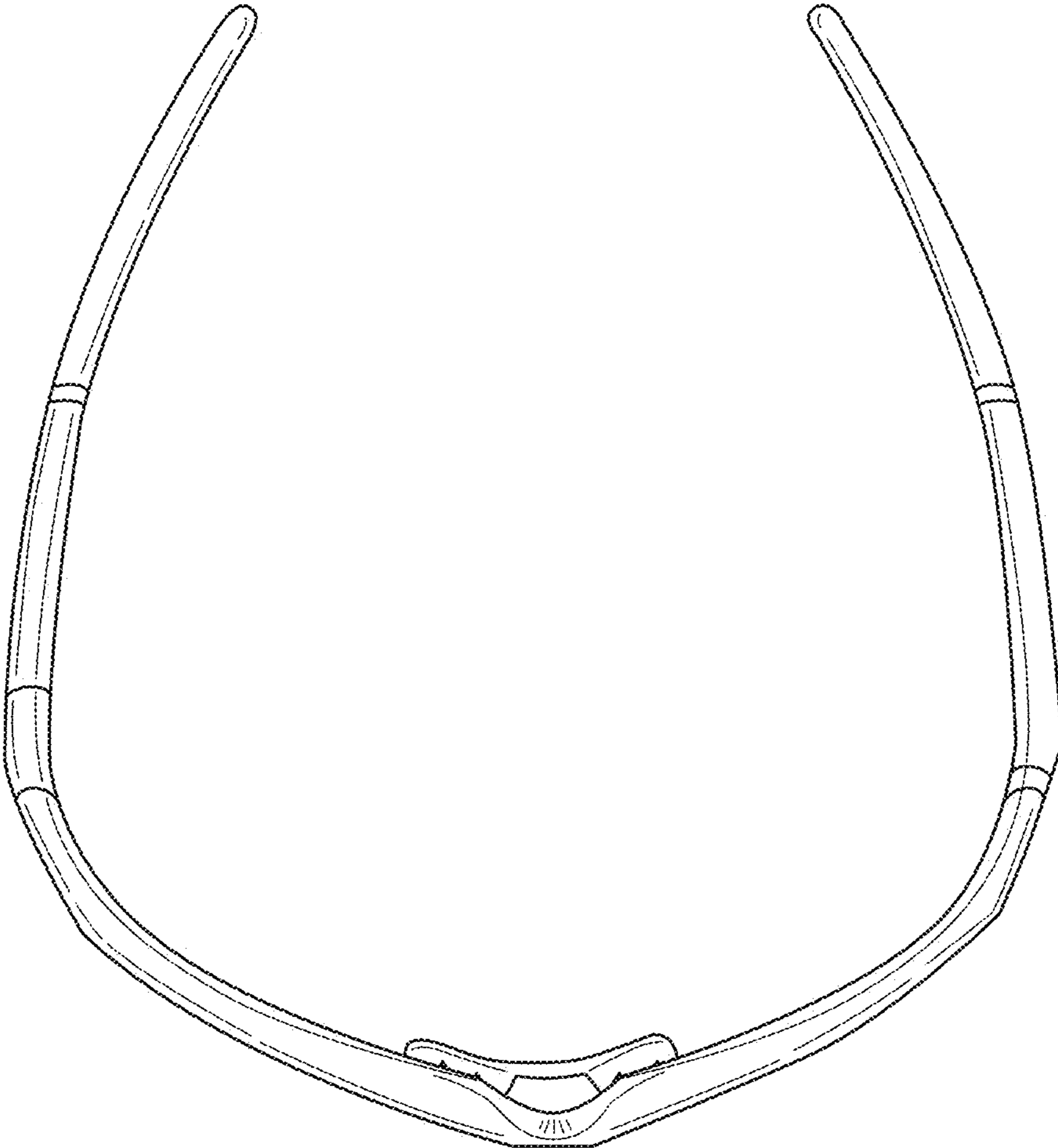


FIG.13

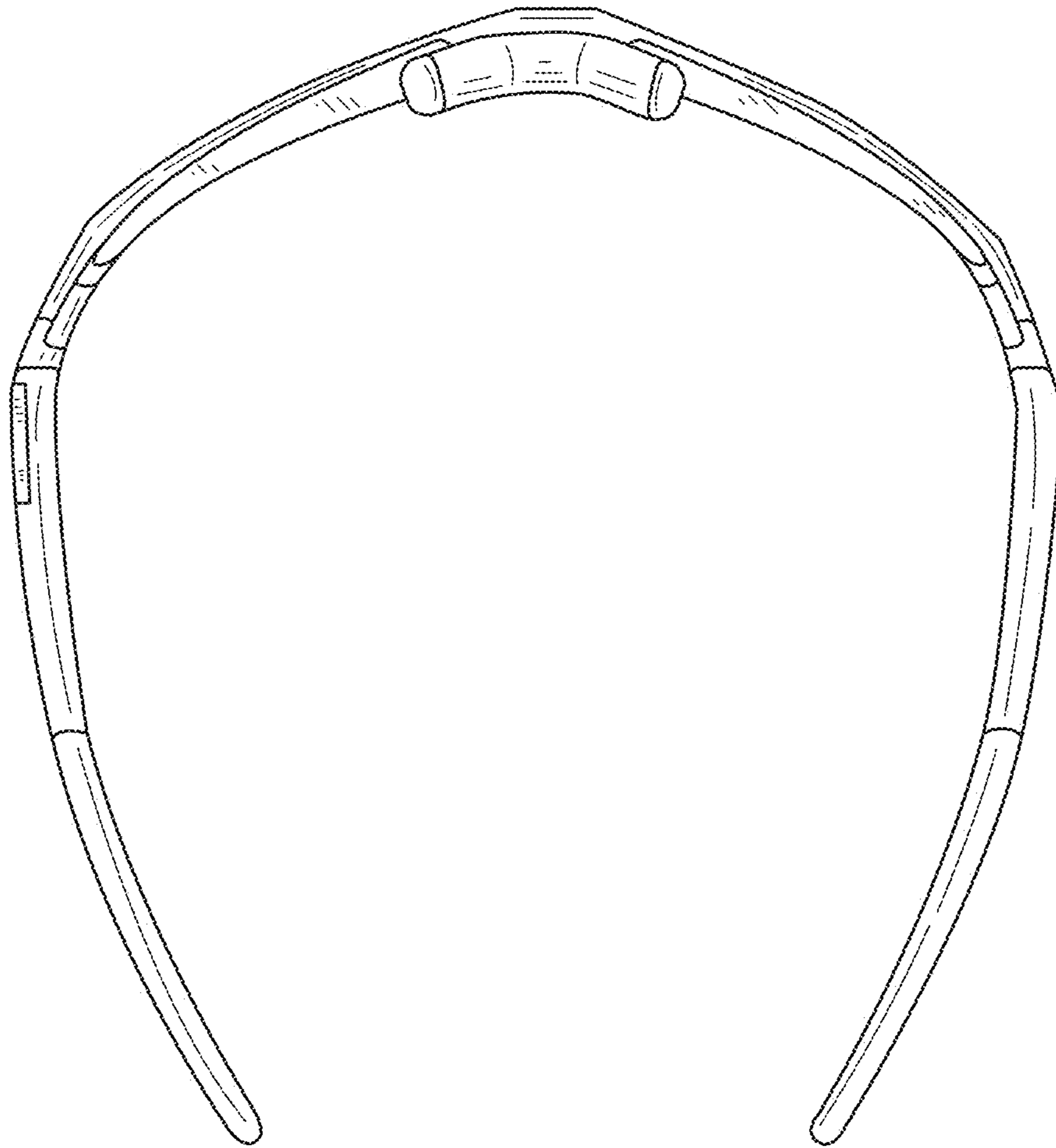


FIG. 14