



US00D697545S

(12) **United States Design Patent**
Jang et al.

(10) **Patent No.:** **US D697,545 S**
(45) **Date of Patent:** **** Jan. 14, 2014**

(54) **CAMERA FLASH**

(71) Applicant: **Samsung Electronics Co., Ltd.**,
Suwon-si (KR)

(72) Inventors: **Seung-Ho Jang**, Sungnam-Si (KR);
Kenji Yamauchi, Seoul (KR); **Haruo Hayashi**, Seoul (KR); **Min-Geun Kim**,
Goyang-Si (KR)

(73) Assignee: **Samsung Electronics Co., Ltd.**,
Suwon-si (KR)

(**) Term: **14 Years**

(21) Appl. No.: **29/446,926**

(22) Filed: **Feb. 28, 2013**

(30) **Foreign Application Priority Data**

Aug. 28, 2012 (KR) 30-2012-0041291

(51) **LOC (10) Cl.** **16-05**

(52) **U.S. Cl.**
USPC **D16/240**

(58) **Field of Classification Search**
USPC D16/134, 219, 237, 239, 240; D26/24,
D26/37-38, 63, 110, 113, 129; 362/3,
362/16-18, 182, 552, 612; D13/180, 182;
313/313-316; 348/370; 396/200
See application file for complete search history.

(56) **References Cited**

U.S. PATENT DOCUMENTS

D184,214 S * 1/1959 Dine et al. D16/239

D186,249 S * 9/1959 Vicker et al. D16/239
3,749,900 A * 7/1973 Jonas et al. 362/7
D268,270 S * 3/1983 Ostlund et al. D16/240
D382,287 S * 8/1997 Palmer D16/242
D570,395 S * 6/2008 Kanno et al. D16/240
D591,324 S * 4/2009 Sukhov D16/242

* cited by examiner

Primary Examiner — Susan Bennett Hattan

Assistant Examiner — Vy Koenig

(74) *Attorney, Agent, or Firm* — NSIP Law

(57) **CLAIM**

The ornamental design for a camera flash, as shown and described.

DESCRIPTION

FIG. 1 is a front perspective view of a camera flash;
FIG. 2 is a front view of the camera flash of FIG. 1;
FIG. 3 is a rear view of the camera flash of FIG. 1;
FIG. 4 is a left-side view of the camera flash of FIG. 1;
FIG. 5 is a right-side view of the camera flash of FIG. 1;
FIG. 6 is a top plan view of the camera flash of FIG. 1;
FIG. 7 is a bottom plan view of the camera flash of FIG. 1;
and,
FIG. 8 is a rear perspective view of the camera flash of FIG. 1.
The dash-dot-dot-dash broken line immediately adjacent the solid-line portions of the design represents an unclaimed boundary of the design.

1 Claim, 8 Drawing Sheets

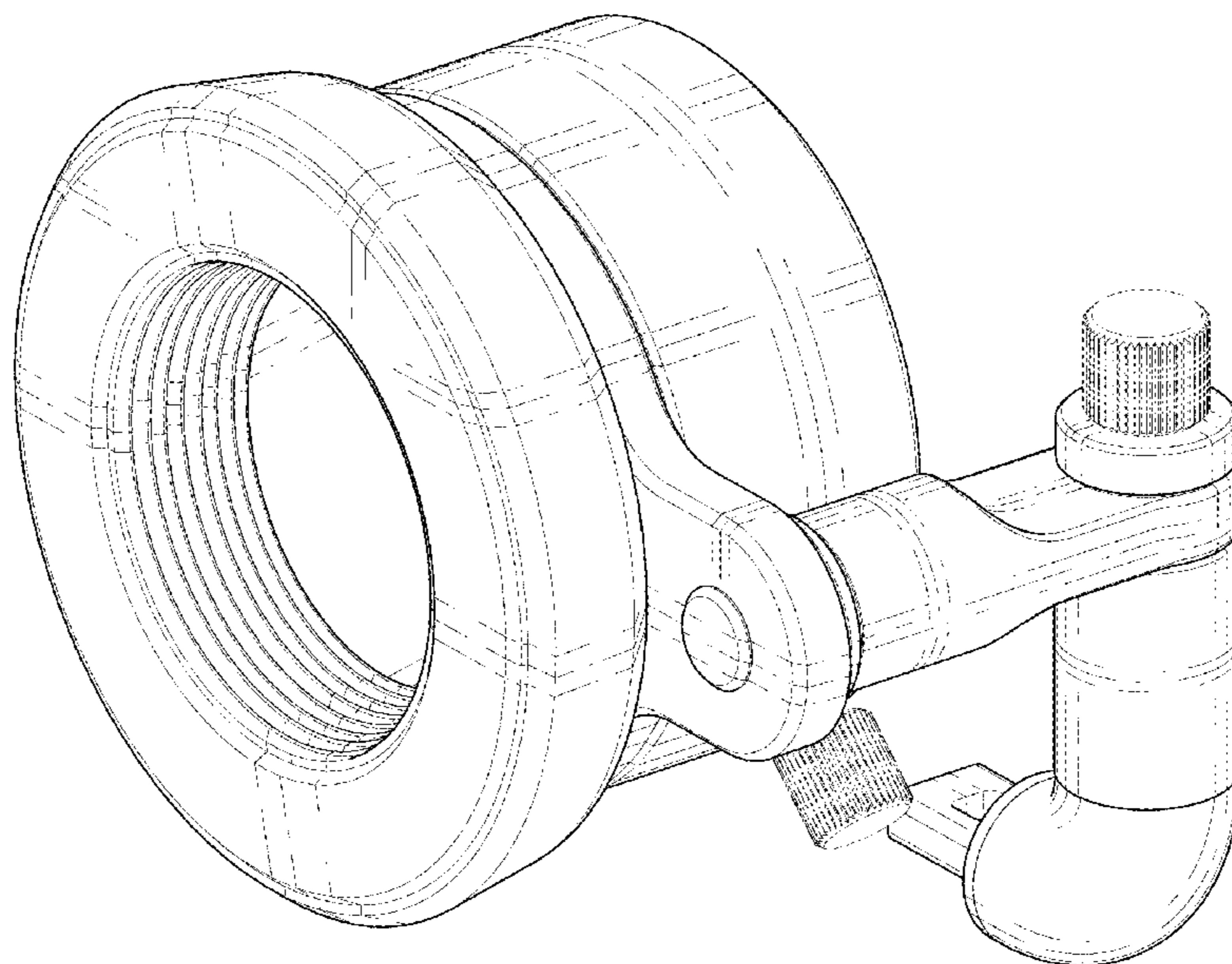


FIG. 1

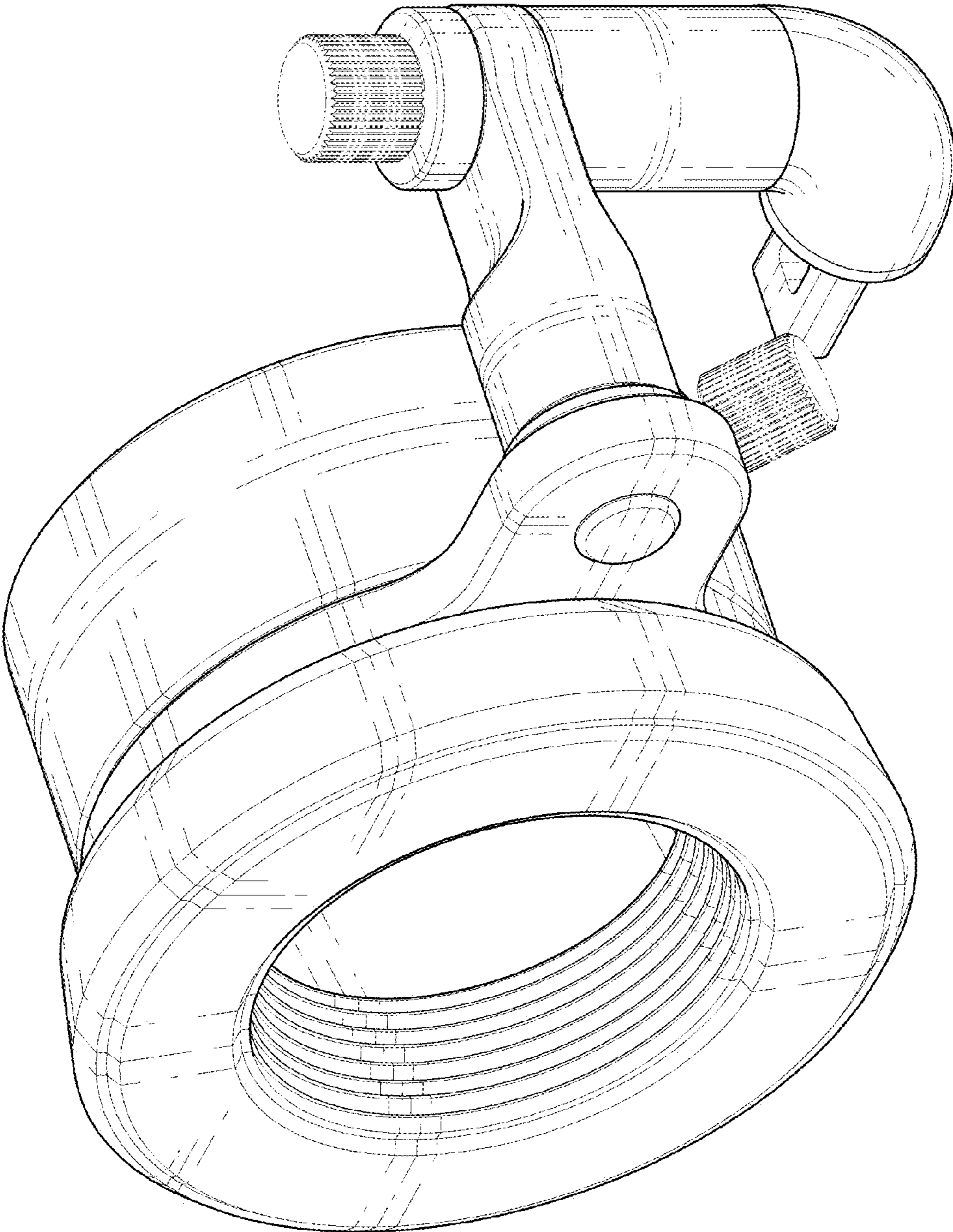


FIG. 2

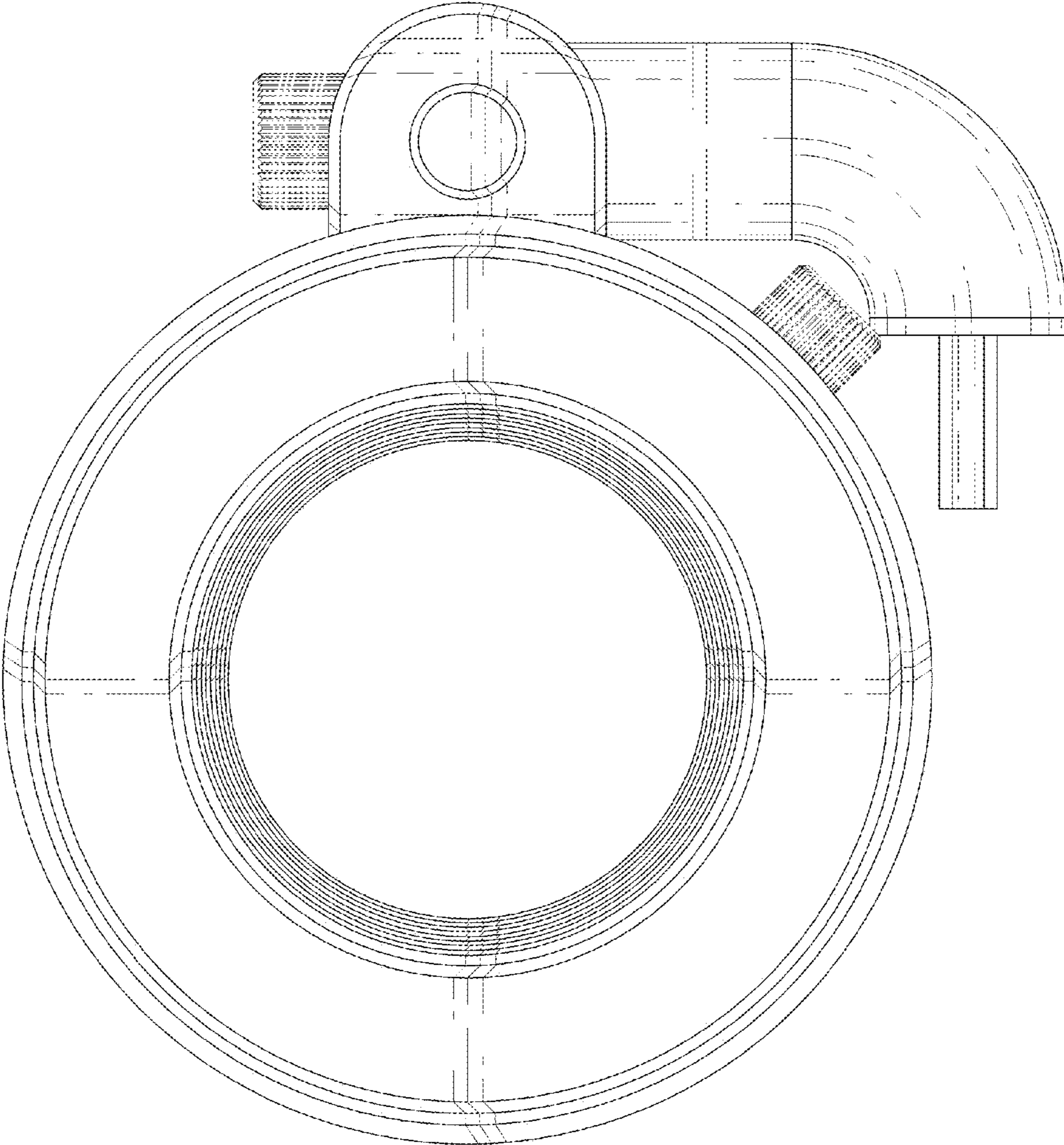


FIG. 3

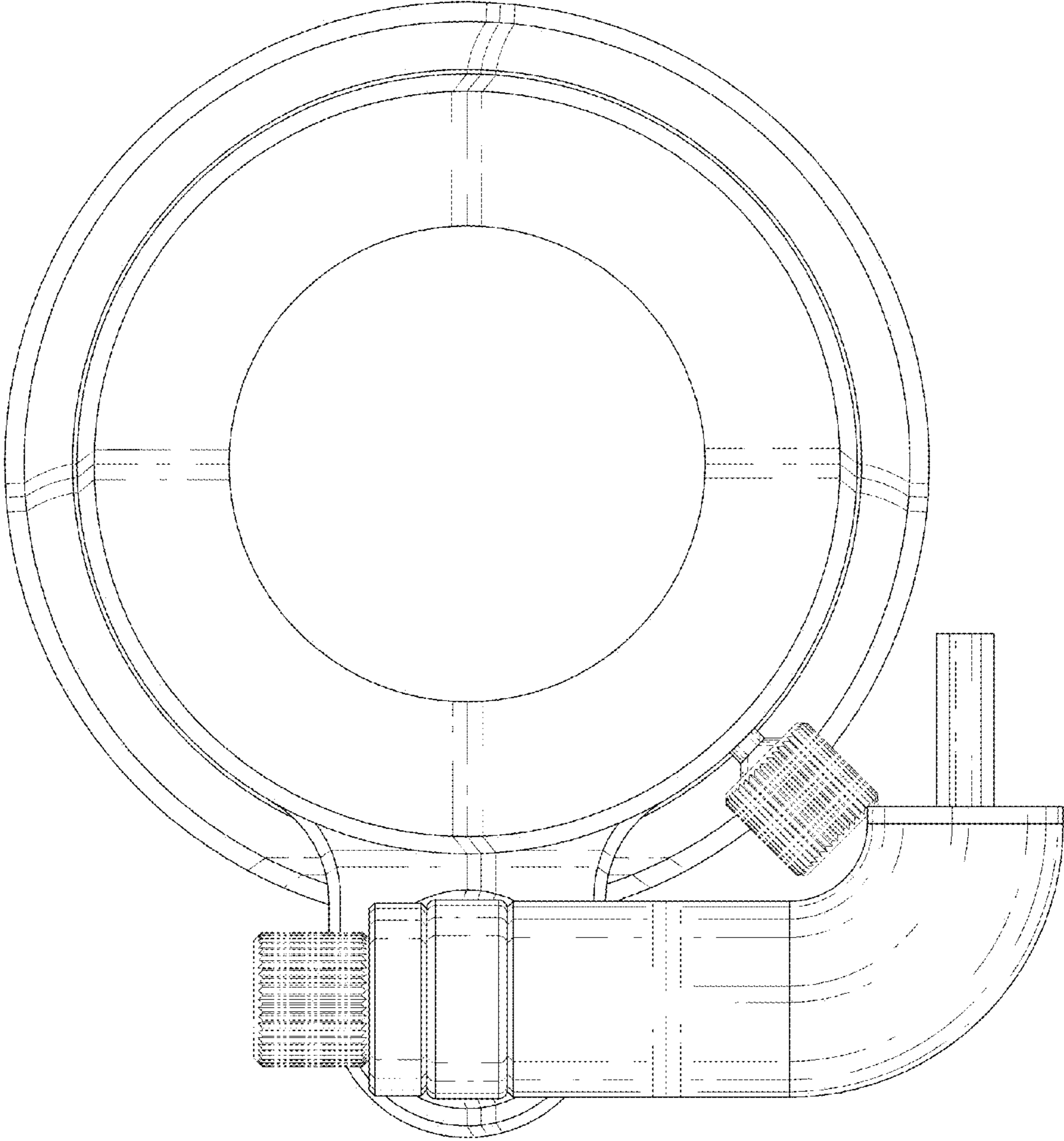


FIG. 4

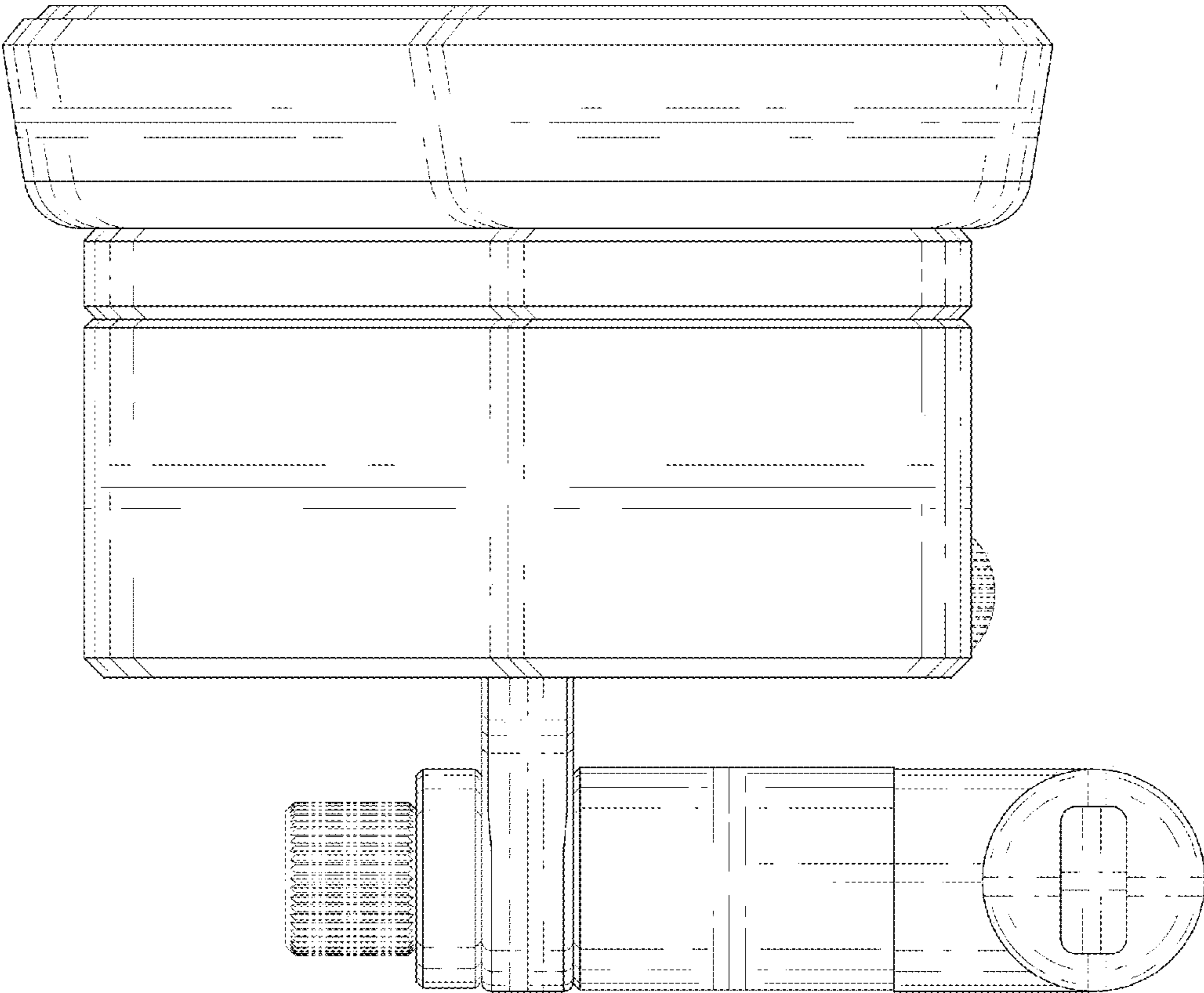


FIG. 5

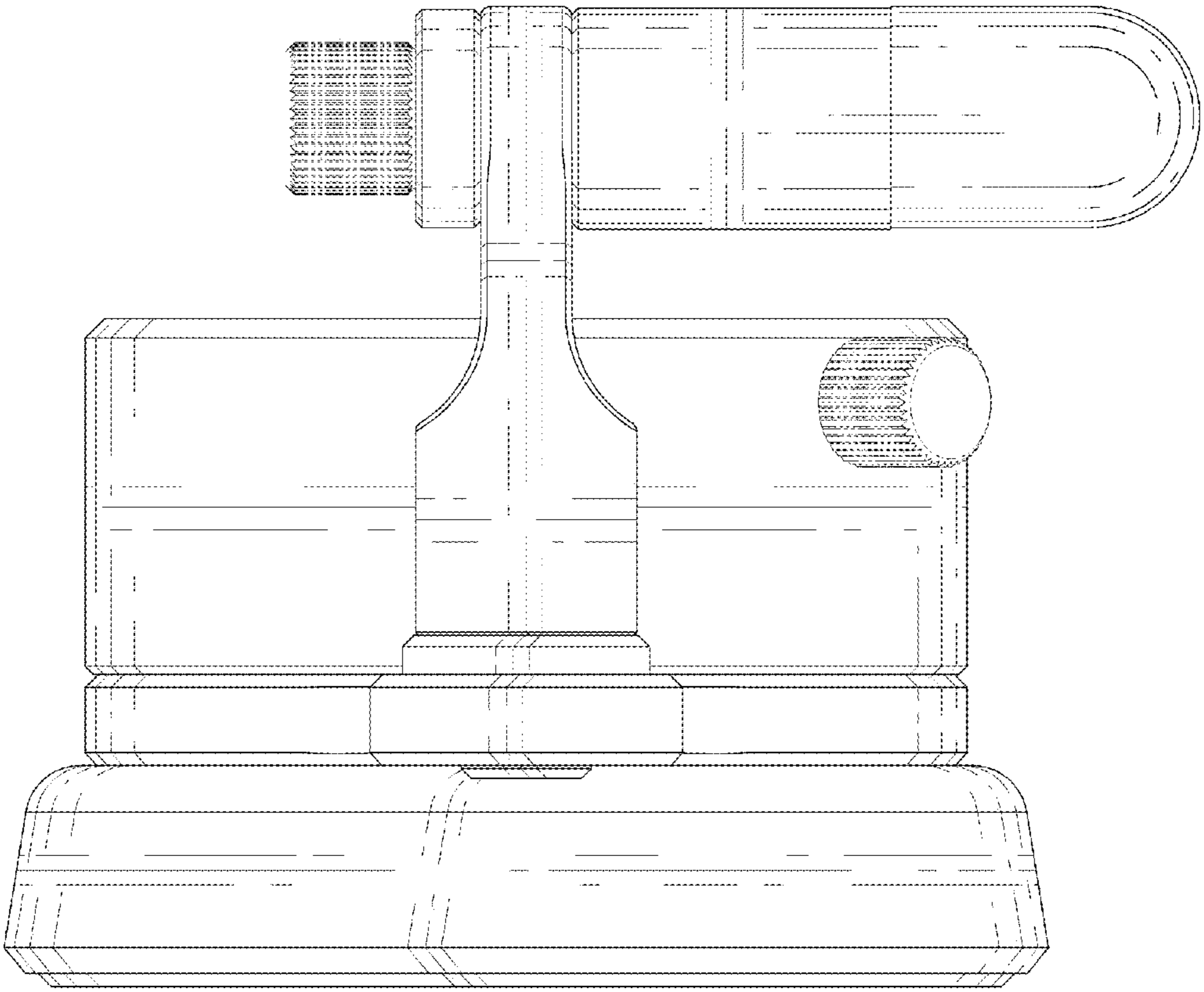


FIG. 6

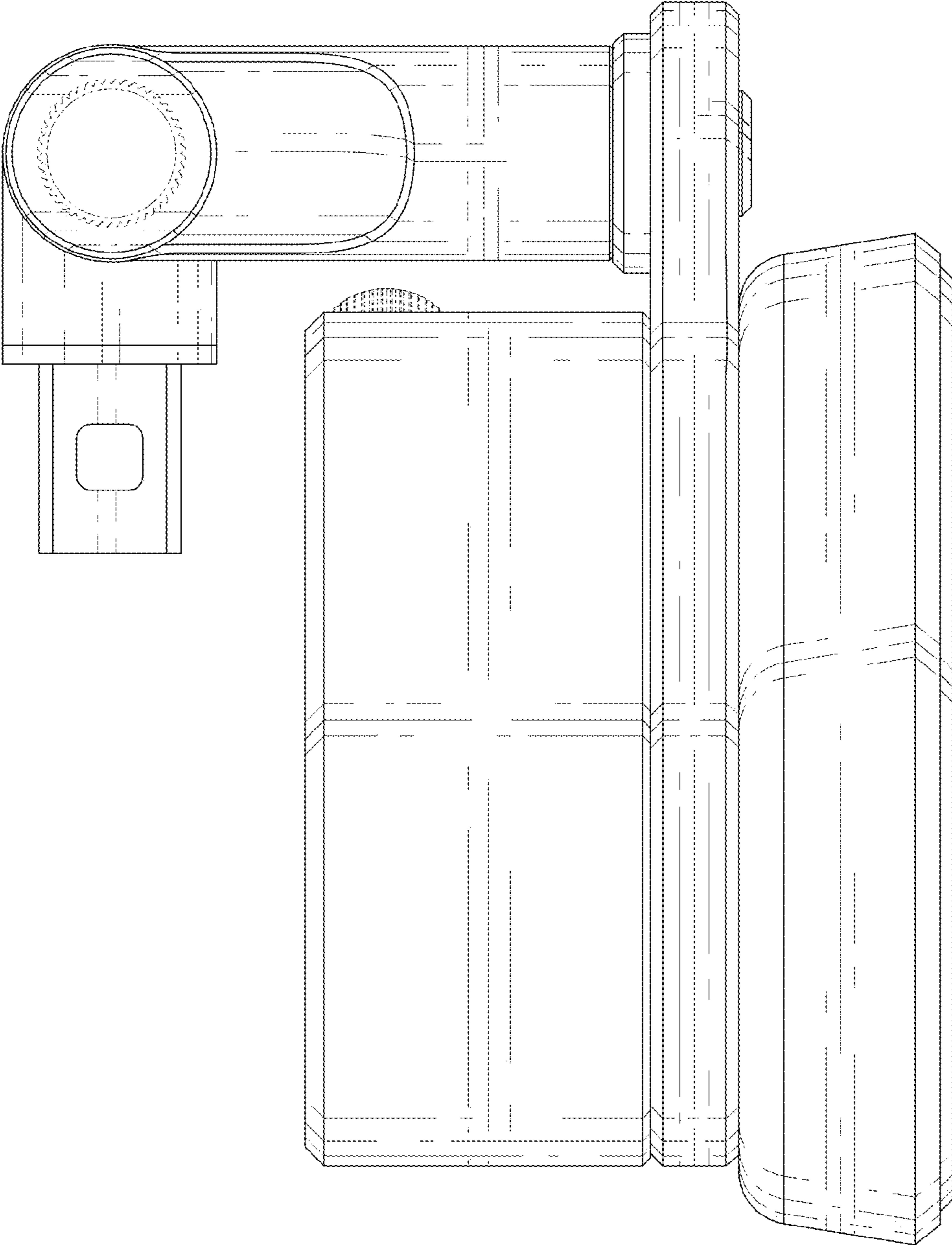


FIG. 7

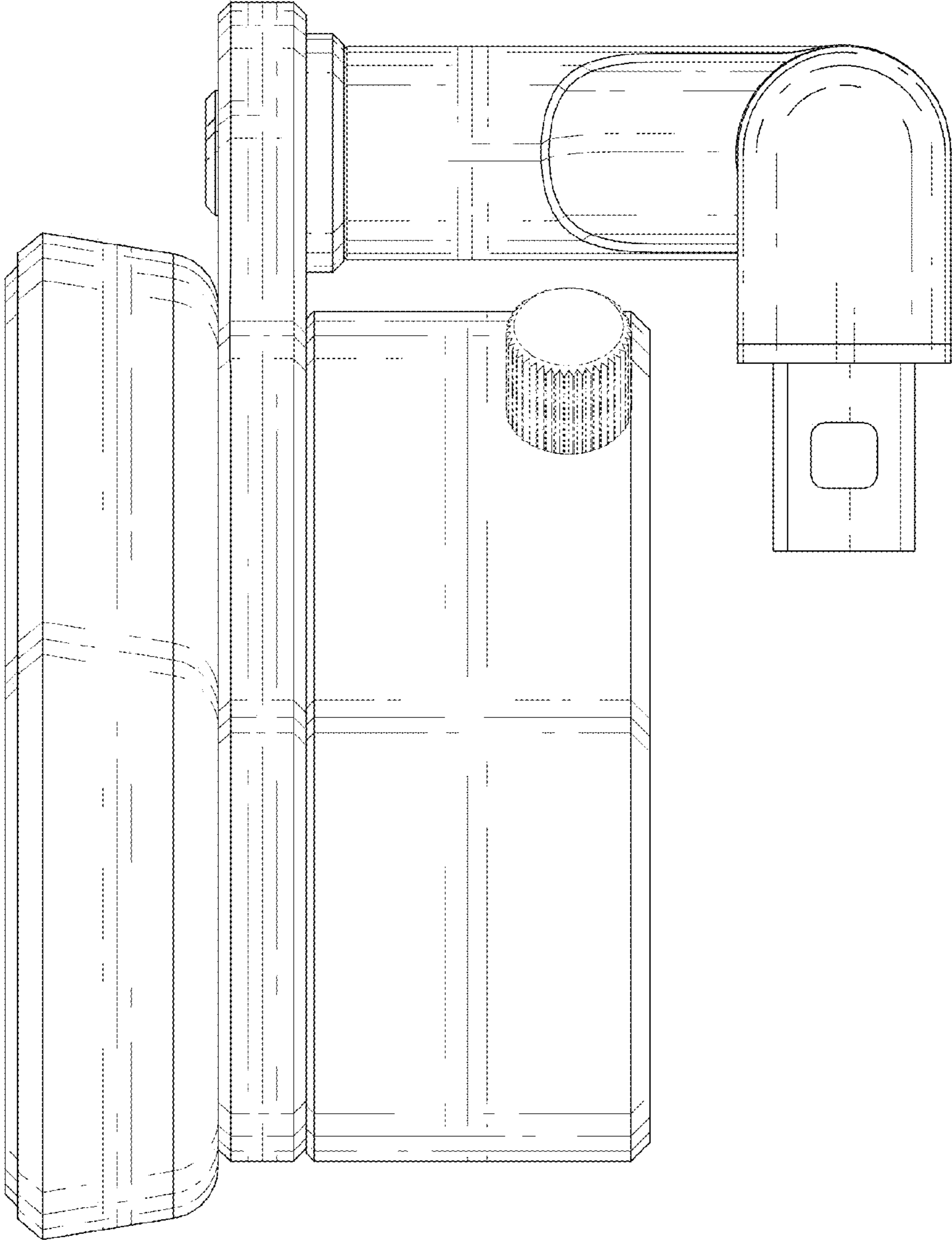


FIG. 8

