

US00D697544S

(12) **United States Design Patent**
Jang et al.

(10) **Patent No.:** **US D697,544 S**

(45) **Date of Patent:** **** Jan. 14, 2014**

(54) **CAMERA FLASH**

(71) Applicant: **Samsung Electronics Co., Ltd.**,
Suwon-si (KR)

(72) Inventors: **Seung-Ho Jang**, Sungnam-Si (KR);
Kenji Yamauchi, Seoul (KR); **Haruo**
Hayashi, Seoul (KR); **Min-Geun Kim**,
Goyang-Si (KR)

(73) Assignee: **Samsung Electronics Co., Ltd.**,
Suwon-si (KR)

(**) Term: **14 Years**

(21) Appl. No.: **29/446,921**

(22) Filed: **Feb. 28, 2013**

(30) **Foreign Application Priority Data**

Aug. 28, 2012 (KR) 30-2012-0041288

(51) **LOC (10) Cl.** **16-05**

(52) **U.S. Cl.**
USPC **D16/240**

(58) **Field of Classification Search**

USPC D16/134, 219, 237, 239, 240; D26/24,
D26/37-38, 63, 110, 113, 129; 362/3,
362/16-18, 182, 552, 612; D13/180, 182;
313/313-316; 348/370; 396/200

See application file for complete search history.

(56) **References Cited**

U.S. PATENT DOCUMENTS

D113,546 S *	2/1939	Bilofsky	D26/24
D262,634 S *	1/1982	Schlagheck et al.	D16/240
D262,716 S *	1/1982	Schlagheck et al.	D16/240
D264,221 S *	5/1982	Schlagheck et al.	D16/240
D315,028 S *	2/1991	Grant et al.	D26/24
5,721,997 A *	2/1998	Powell et al.	396/420
D519,541 S *	4/2006	McElderry	D16/243
D603,889 S *	11/2009	Sukenari et al.	D16/232
D633,126 S *	2/2011	Park	D16/232

* cited by examiner

Primary Examiner — Susan Bennett Hattan

Assistant Examiner — Vy Koenig

(74) *Attorney, Agent, or Firm* — NSIP Law

(57) **CLAIM**

The ornamental design for a camera flash, as shown and described.

DESCRIPTION

FIG. 1 is a front perspective view of a camera flash;
FIG. 2 is a front view of the camera flash of FIG. 1;
FIG. 3 is a rear view of the camera flash of FIG. 1;
FIG. 4 is a left-side view of the camera flash of FIG. 1;
FIG. 5 is a right-side view of the camera flash of FIG. 1;
FIG. 6 is a top plan view of the camera flash of FIG. 1;
FIG. 7 is a bottom plan view of the camera flash of FIG. 1;
and,
FIG. 8 is a rear perspective view of the camera flash of FIG. 1.
The dash-dot-dot-dash broken line immediately adjacent the solid-line portions of the design represents an unclaimed boundary of the design. The features shown in all other broken lines in FIGS. 1, 2, 6, 7, and 8, form no part of the claimed design.

1 Claim, 8 Drawing Sheets

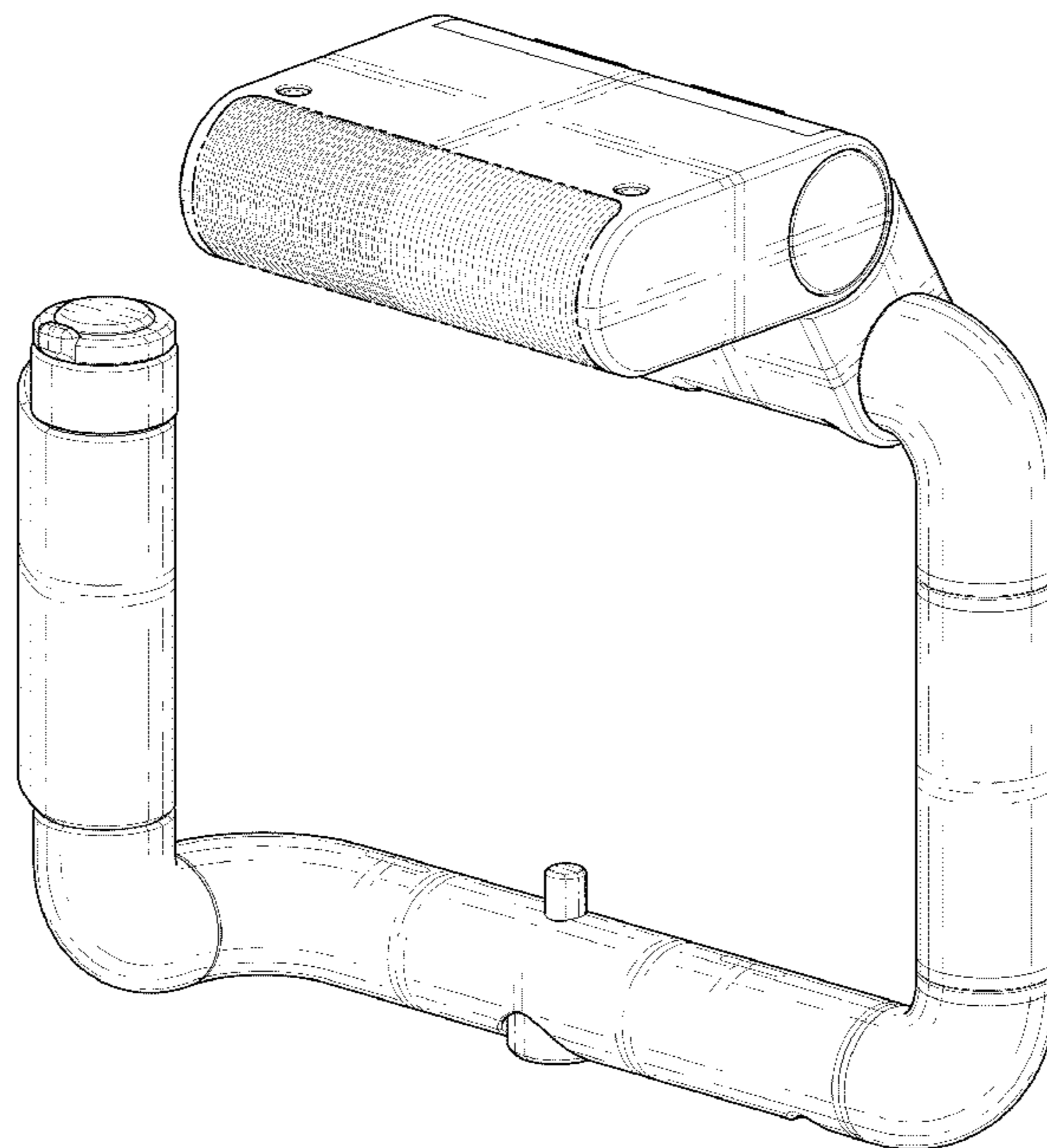


FIG. 1

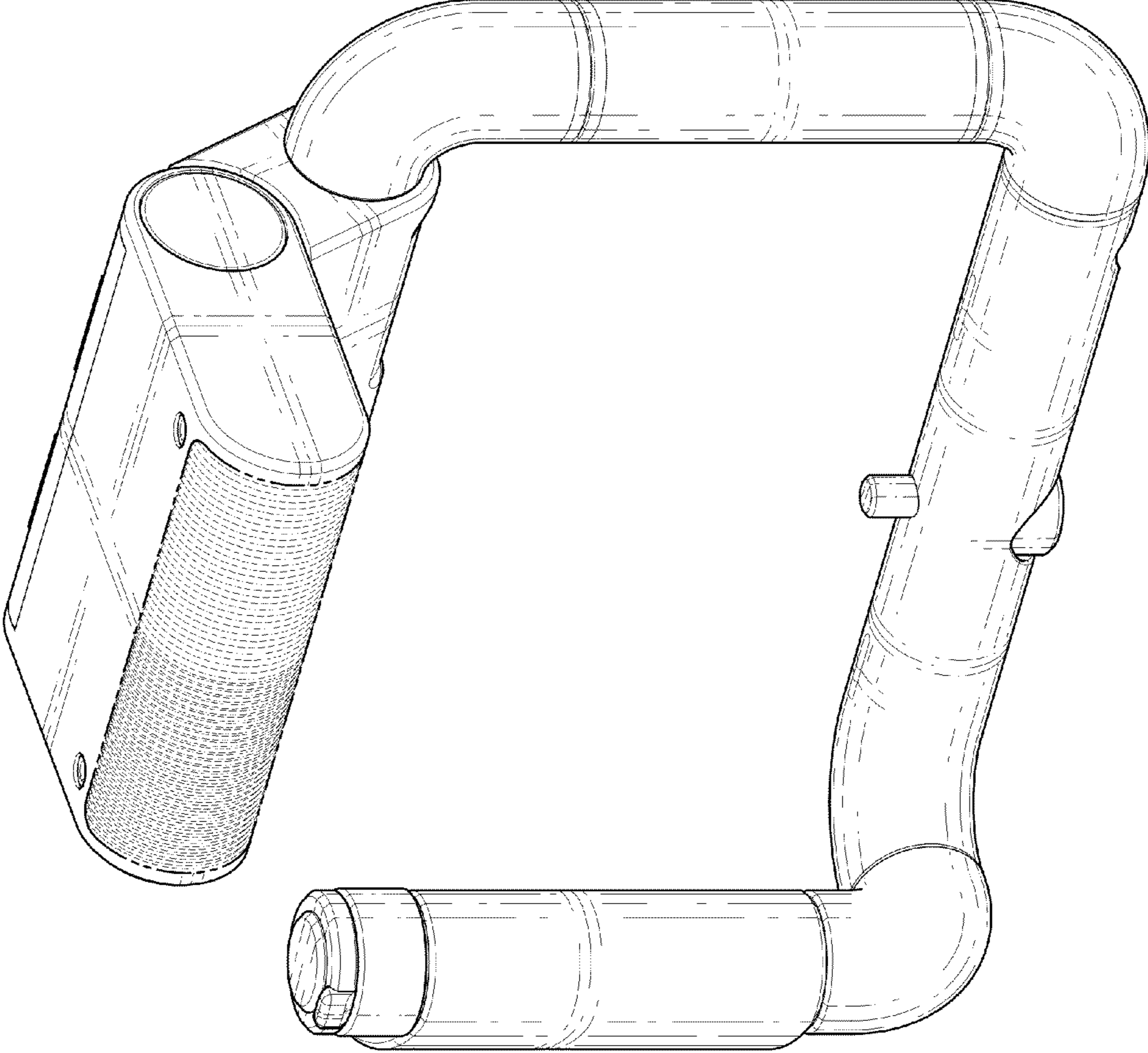


FIG. 2

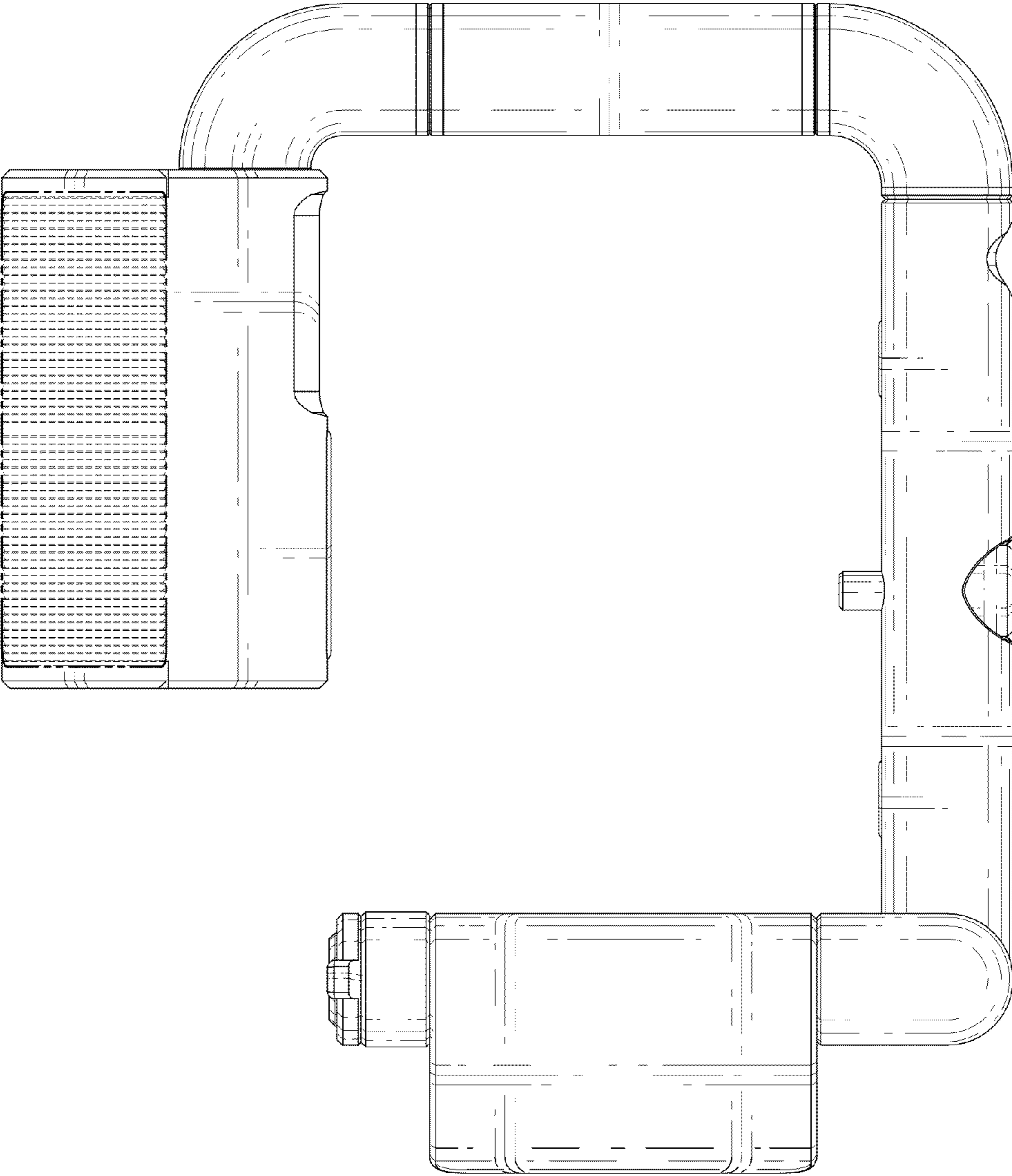


FIG. 3

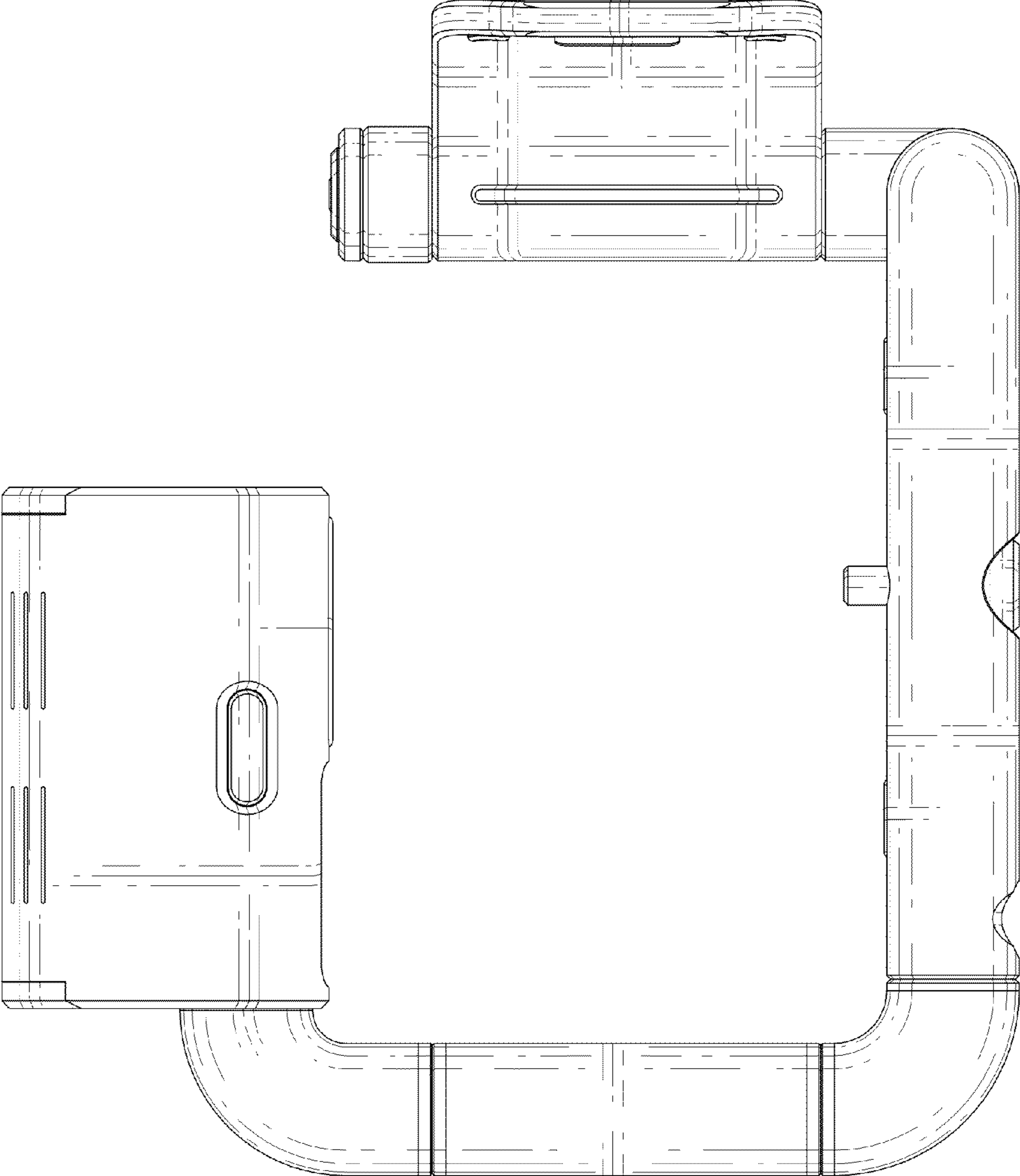


FIG. 4

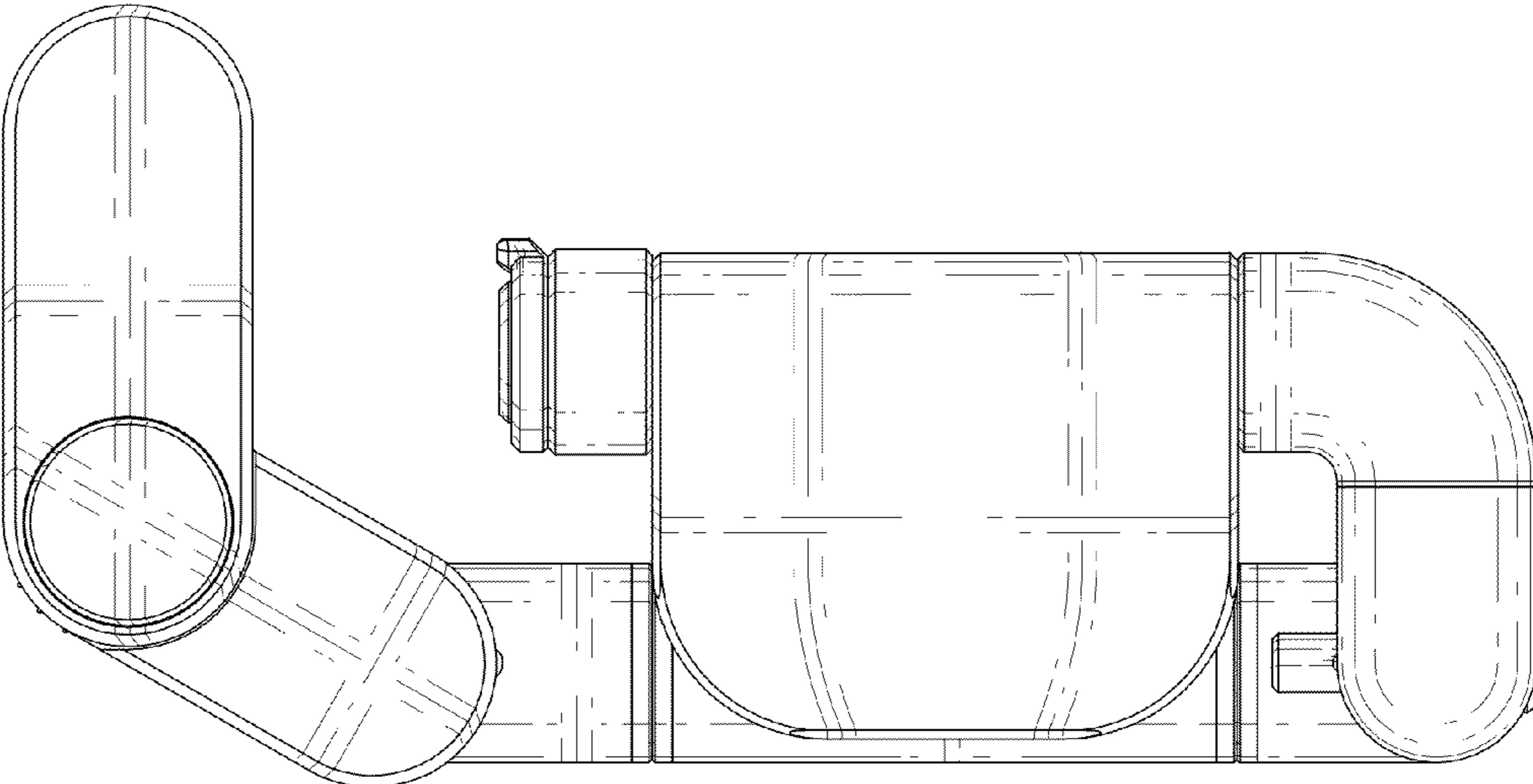


FIG. 5

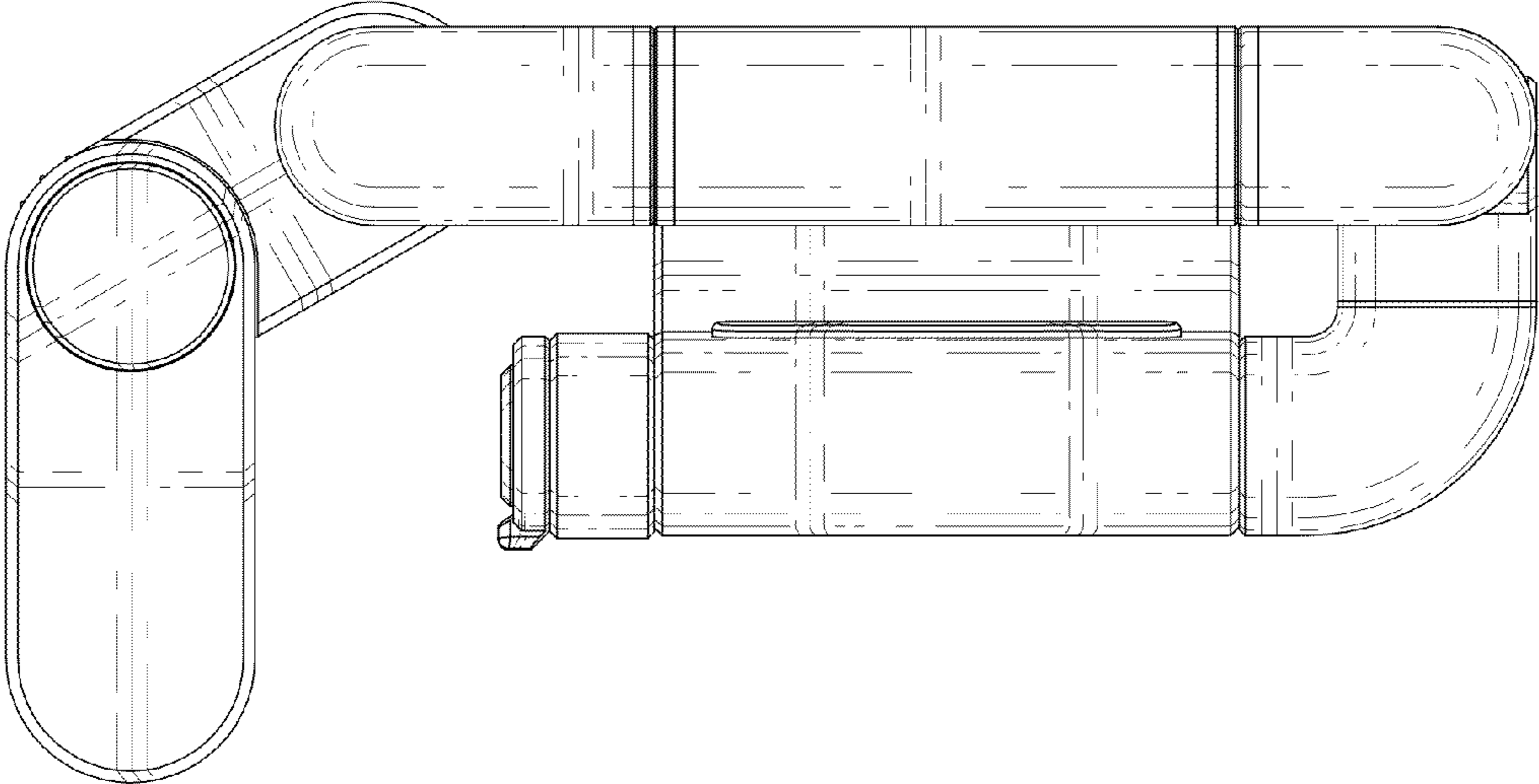


FIG. 6

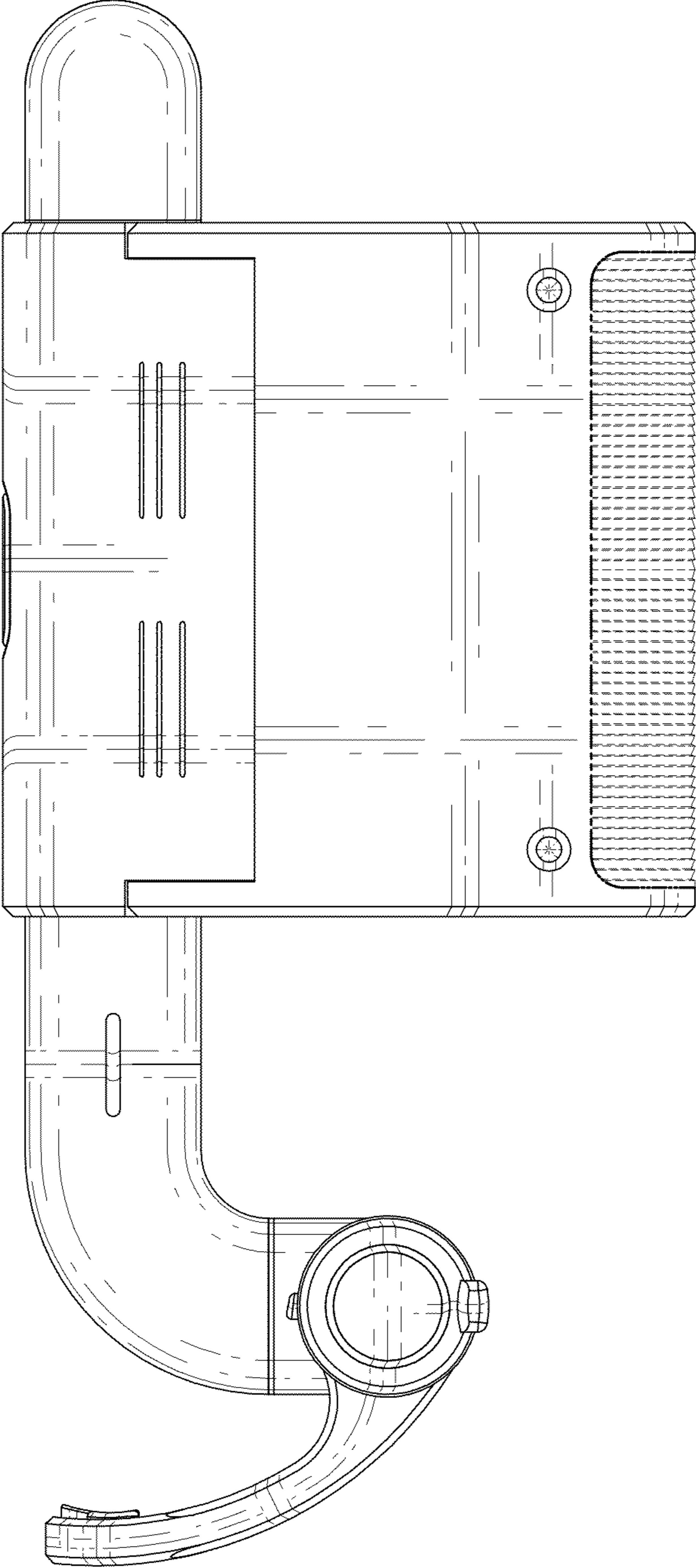


FIG. 7

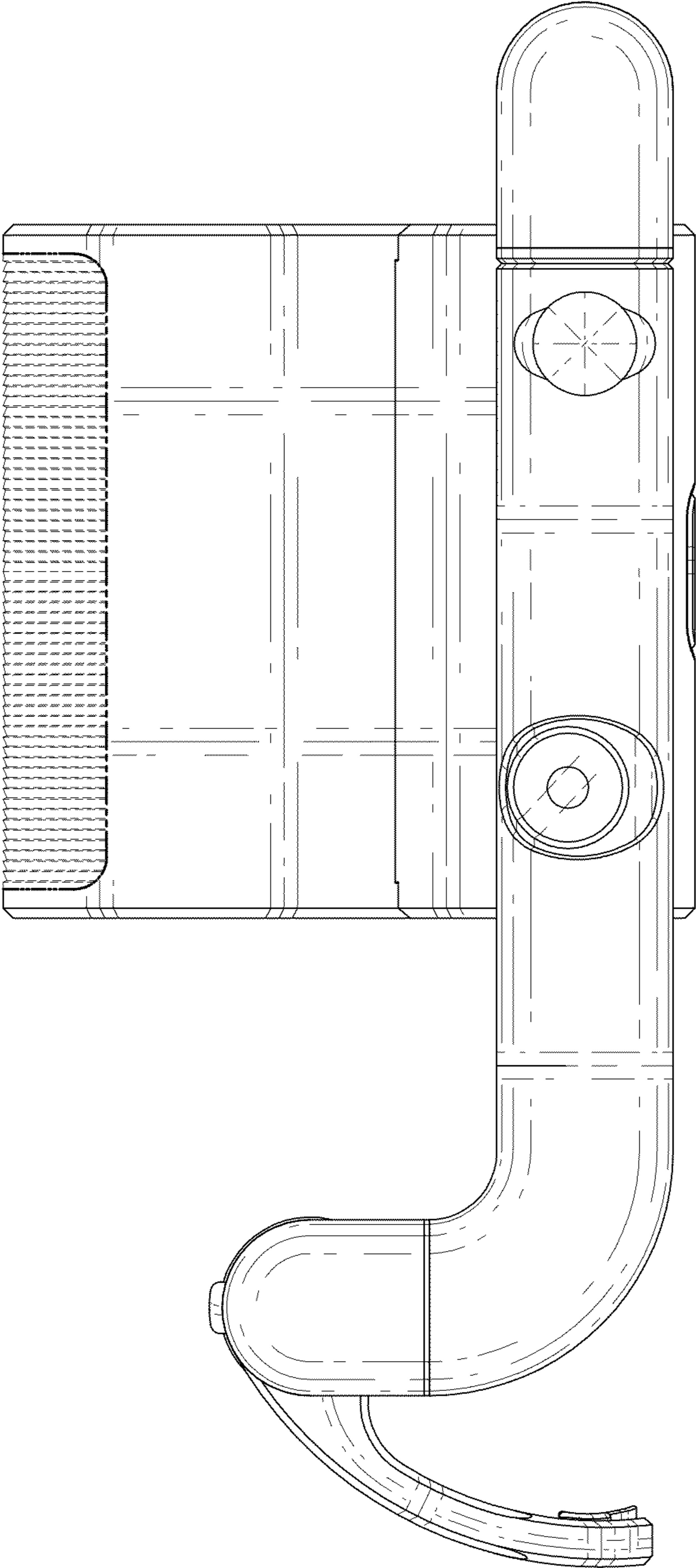


FIG. 8

