



US00D697543S

(12) **United States Design Patent**
Kim

(10) **Patent No.:** **US D697,543 S**

(45) **Date of Patent:** **** *Jan. 14, 2014**

(54) **INTERCHANGEABLE LENS FOR CAMERA**

(75) Inventor: **Tae-Sung Kim**, Changwon-si (KR)

(73) Assignee: **Samyang Optics Co., Ltd.**, Masan,
Gyeongsangnam-Do (KR)

(*) Notice: This patent is subject to a terminal disclaimer.

(**) Term: **14 Years**

(21) Appl. No.: **29/422,228**

(22) Filed: **May 17, 2012**

(30) **Foreign Application Priority Data**

Apr. 4, 2012 (KR) 30-2012-0015887

(51) **LOC (10) Cl.** **16-05**

(52) **U.S. Cl.**
USPC **D16/219**

(58) **Field of Classification Search**
USPC D16/134, 136, 200, 202, 209, 218, 219;
348/373, 374; 359/600, 826-828;
396/529-531, 535, 540, 541
See application file for complete search history.

(56) **References Cited**

U.S. PATENT DOCUMENTS

4,063,264 A * 12/1977 Ando et al. 396/531
4,118,713 A * 10/1978 Murakami et al. 396/529

D357,491 S * 4/1995 Takahashi D16/134
D390,857 S * 2/1998 Hayamizu D16/134
D412,922 S * 8/1999 Sekine D16/219
D420,029 S * 2/2000 Kimura et al. D16/219
D425,088 S * 5/2000 Watanabe D16/134
D441,382 S * 5/2001 Konno et al. D16/219
D449,322 S * 10/2001 Ono et al. D16/134
6,369,960 B2 * 4/2002 Azegami 359/828
D552,147 S * 10/2007 Tajima D16/219
D562,863 S * 2/2008 Yasutomi D16/134
D684,620 S * 6/2013 Kim D16/219

* cited by examiner

Primary Examiner — Adir Aronovich

(74) *Attorney, Agent, or Firm* — Lowe Hauptman & Ham, LLP

(57) **CLAIM**

The ornamental design for an interchangeable lens for camera, as shown and described.

DESCRIPTION

FIG. 1 is a perspective view of an interchangeable lens for camera showing my new design;
FIG. 2 is a front elevational view thereof;
FIG. 3 is a rear elevational view thereof;
FIG. 4 is a left side elevational view thereof;
FIG. 5 is a right side elevational view thereof;
FIG. 6 is a top plan view thereof; and,
FIG. 7 is a bottom plan view thereof.
The broken lines showing in the drawings represent portions of the interchangeable lens for camera that form no part of the claimed design.

1 Claim, 7 Drawing Sheets

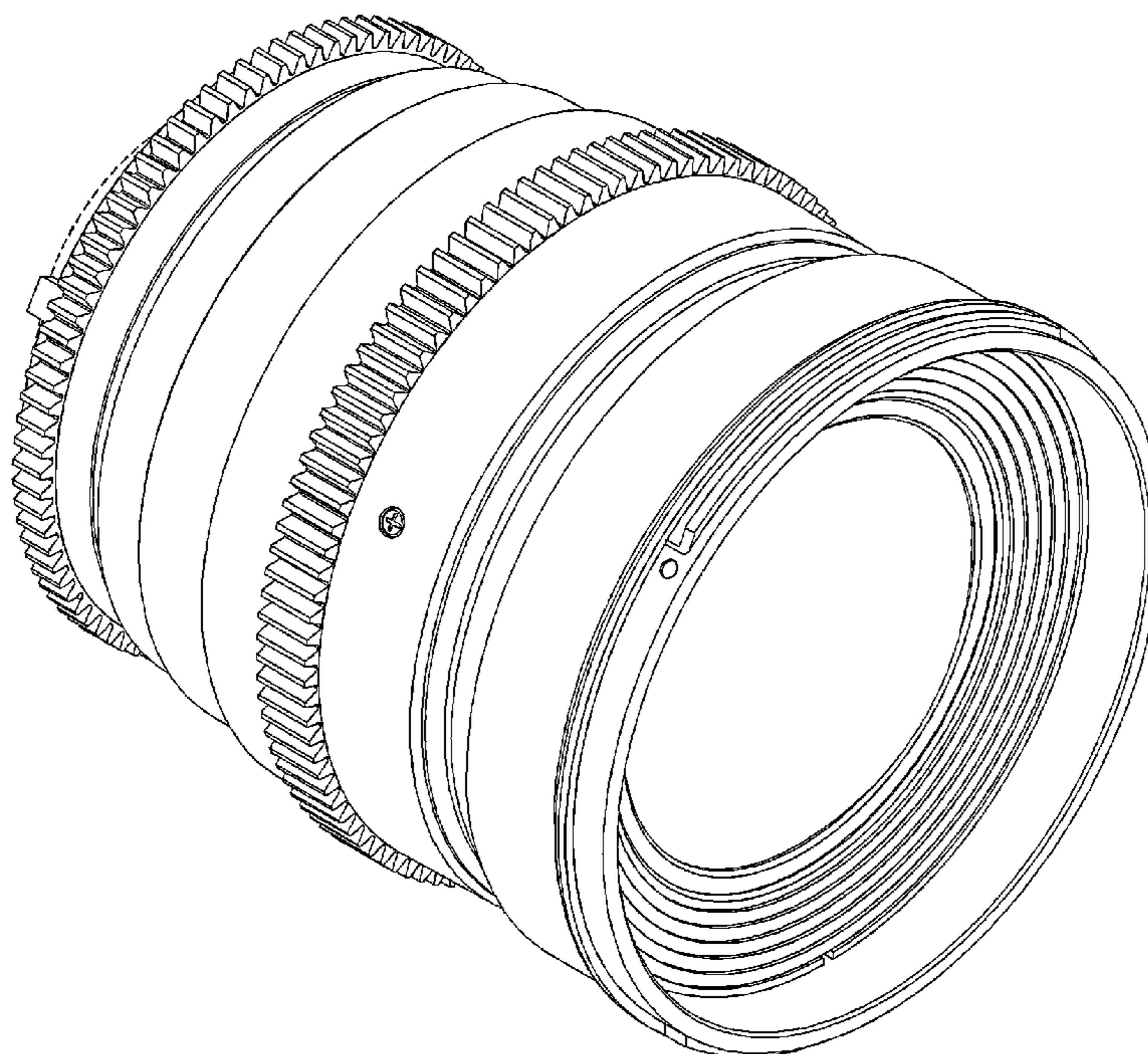


FIG. 1

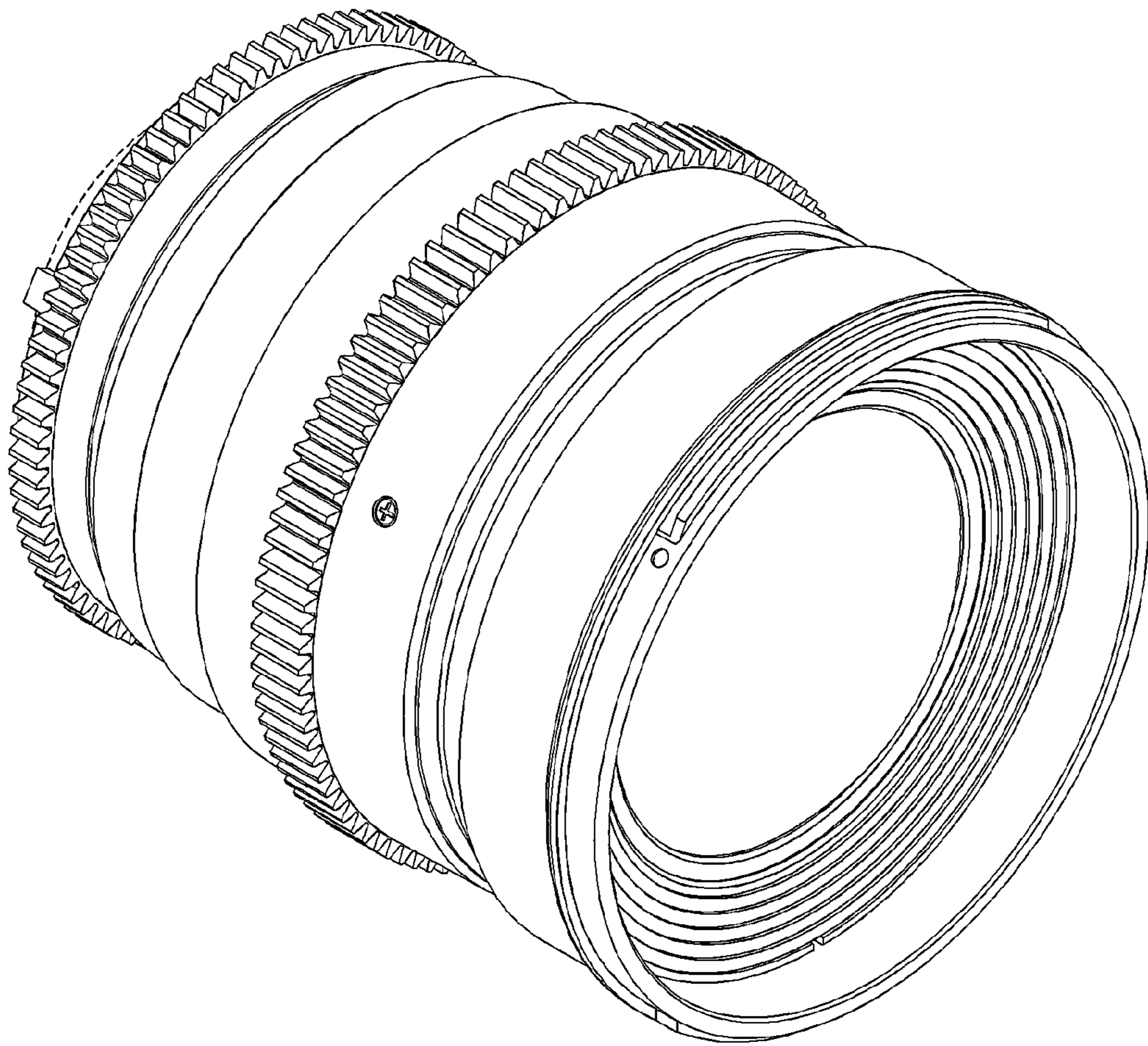


FIG. 2

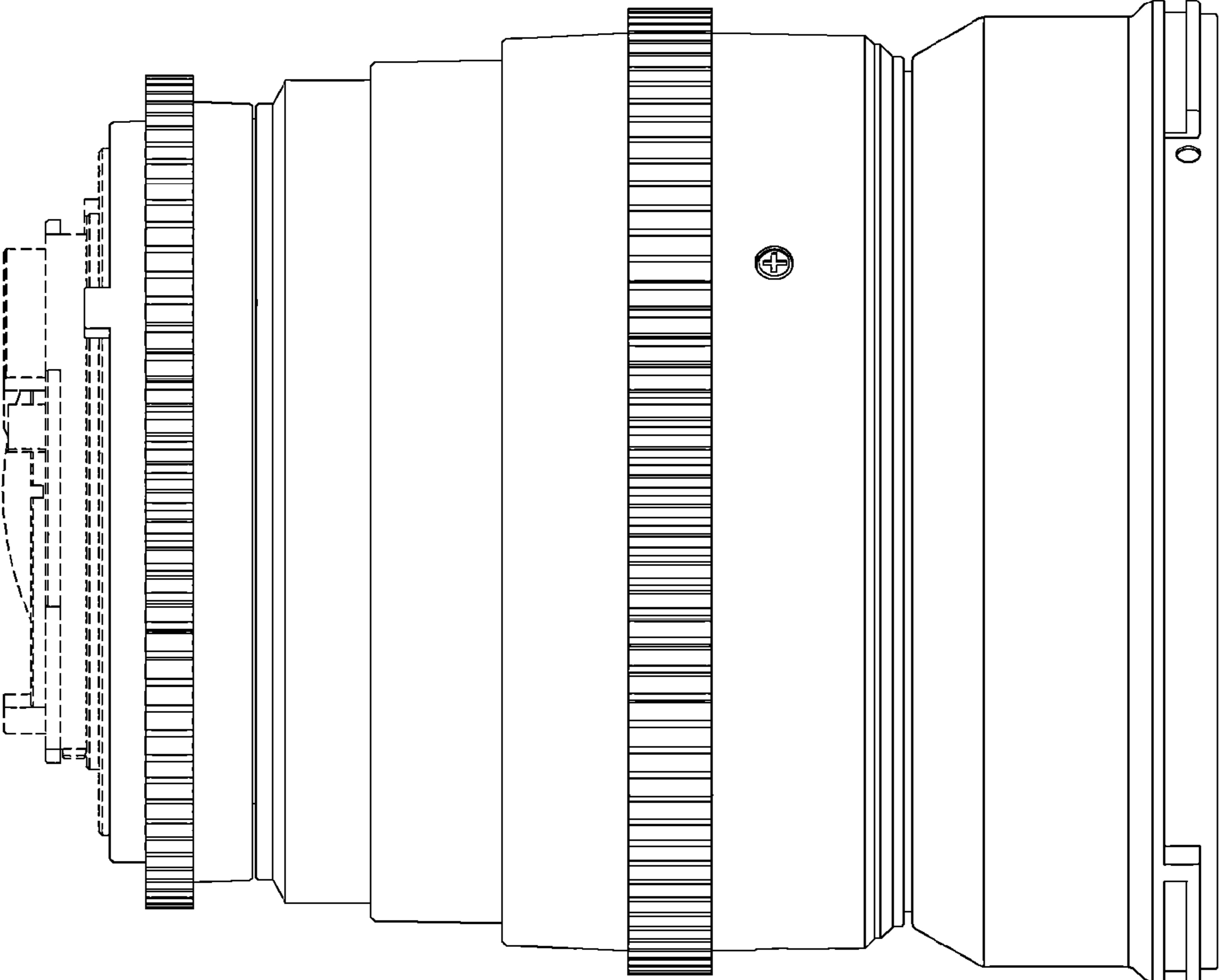


FIG. 3

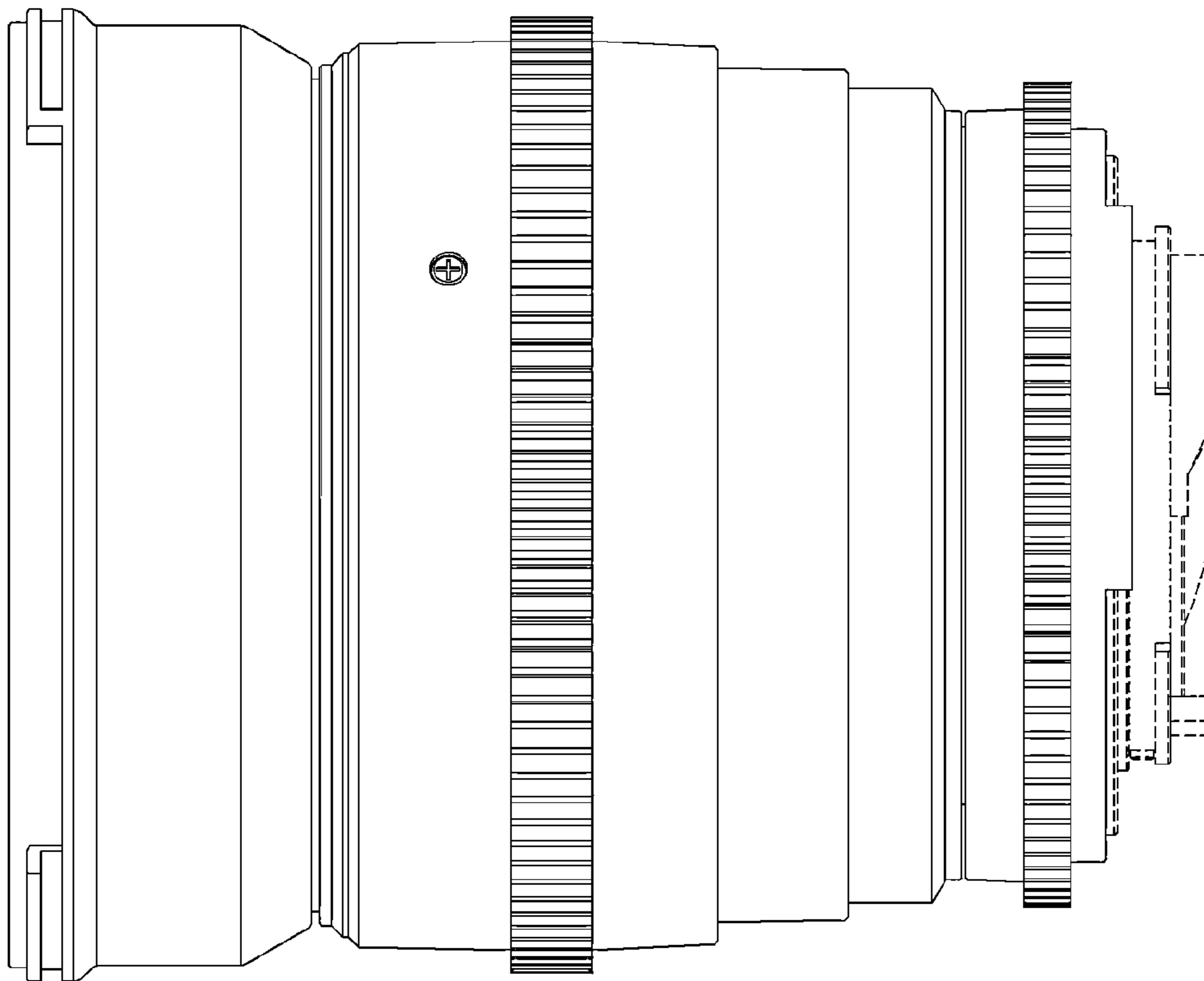


FIG. 4

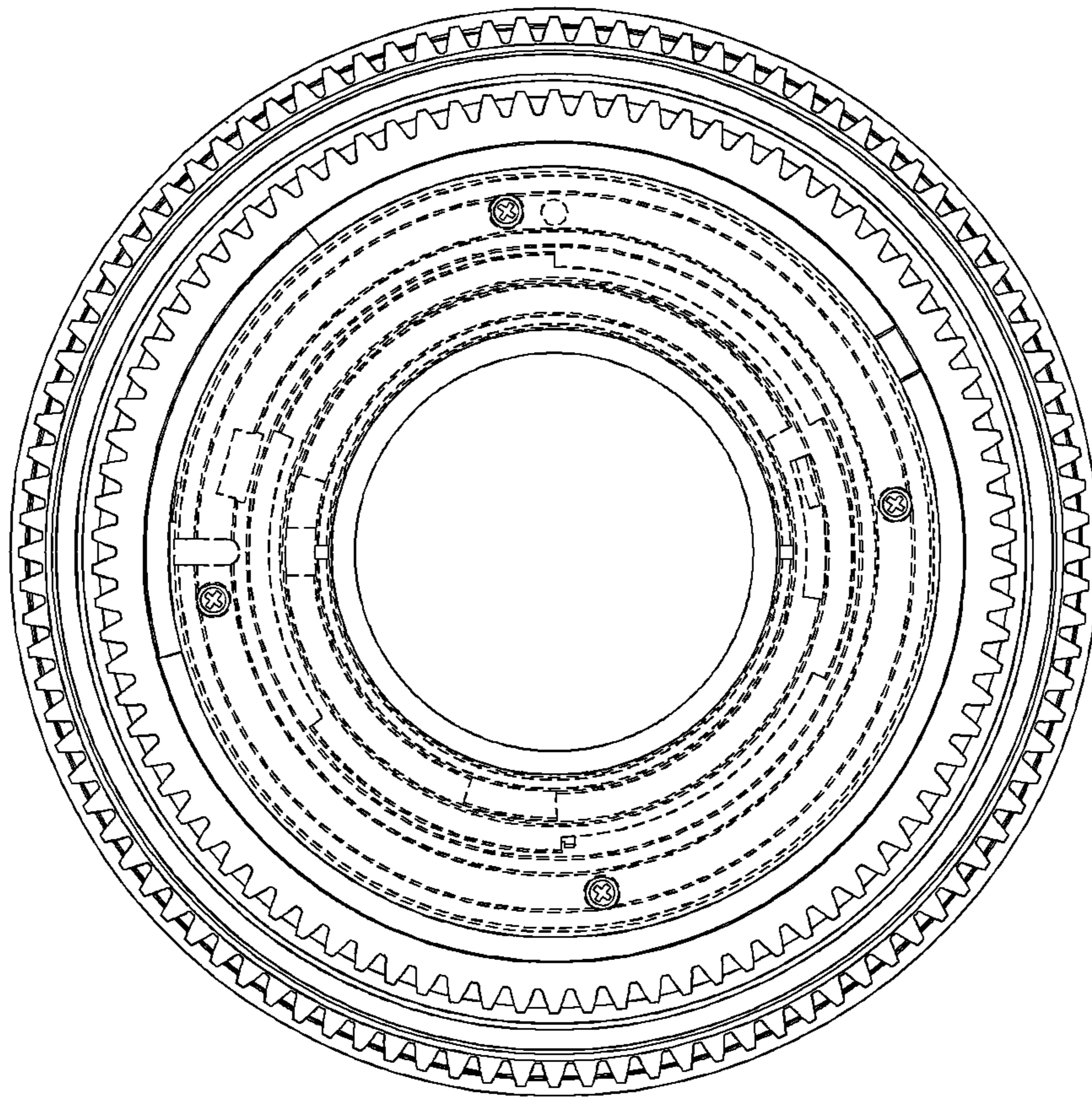


FIG. 5

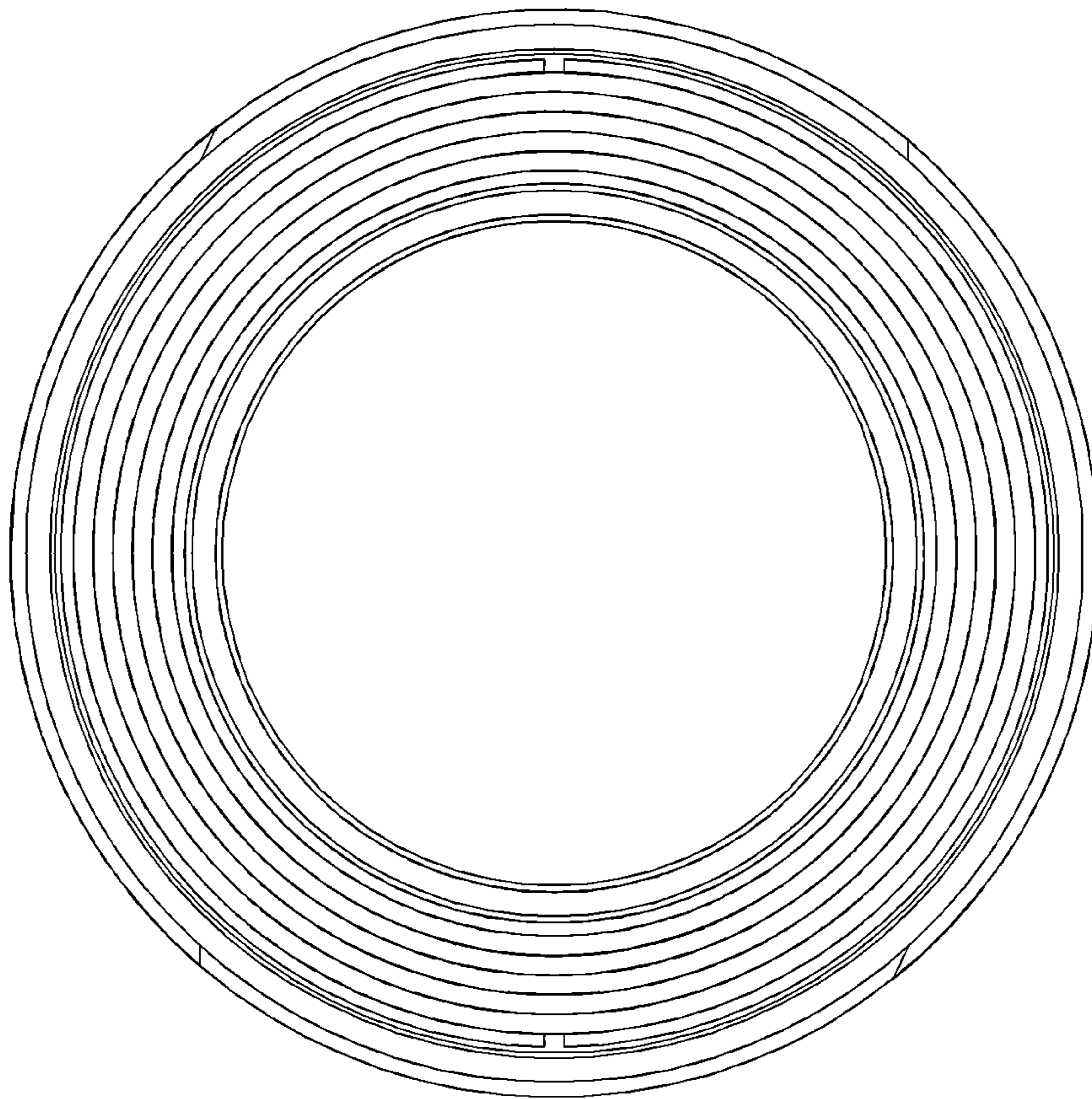


FIG. 7

