



US00D697542S

(12) **United States Design Patent**  
**Kim**

(10) **Patent No.:** **US D697,542 S**  
(45) **Date of Patent:** **\*\* \*Jan. 14, 2014**

(54) **INTERCHANGEABLE LENS FOR CAMERA**

(75) Inventor: **Tae-Sung Kim**, Changwon-si (KR)

(73) Assignee: **Samyang Optics Co., Ltd.**, Masan,  
Gyeongsangnam-Do (KR)

(\* ) Notice: This patent is subject to a terminal disclaimer.

(\*\*) Term: **14 Years**

(21) Appl. No.: **29/422,223**

(22) Filed: **May 17, 2012**

(30) **Foreign Application Priority Data**

Apr. 4, 2012 (KR) ..... 30-2012-0015885

(51) **LOC (10) Cl.** ..... **16-05**

(52) **U.S. Cl.**  
USPC ..... **D16/219**

(58) **Field of Classification Search**  
USPC ..... D16/134, 136, 200, 202, 209, 218, 219;  
348/373, 374; 359/600, 826-828;  
396/529-535, 540, 541  
See application file for complete search history.

(56) **References Cited**

**U.S. PATENT DOCUMENTS**

4,118,713 A \* 10/1978 Murakami et al. .... 396/529  
4,357,090 A \* 11/1982 Araki ..... 396/529

D357,491 S \* 4/1995 Takahashi ..... D16/134  
D390,857 S \* 2/1998 Hayamizu ..... D16/134  
D412,922 S \* 8/1999 Sekine ..... D16/219  
D420,029 S \* 2/2000 Kimura et al. .... D16/219  
D425,088 S \* 5/2000 Watanabe ..... D16/134  
D441,382 S \* 5/2001 Konno et al. .... D16/219  
D449,322 S \* 10/2001 Ono et al. .... D16/134  
D552,147 S \* 10/2007 Tajima et al. .... D16/219

\* cited by examiner

*Primary Examiner* — Adir Aronovich

(74) *Attorney, Agent, or Firm* — Lowe Hauptman & Ham, LLP

(57) **CLAIM**

The ornamental design for an interchangeable lens for camera, as shown and described.

**DESCRIPTION**

FIG. 1 is a perspective view of an interchangeable lens for camera showing my new design;  
FIG. 2 is a front elevational view thereof;  
FIG. 3 is a rear elevational view thereof;  
FIG. 4 is a left side elevational view thereof;  
FIG. 5 is a right side elevational view thereof;  
FIG. 6 is a top plan view thereof; and,  
FIG. 7 is a bottom plan view thereof.  
The broken lines showing in the drawings represent portions of the interchangeable lens for camera that form no part of the claimed design.

**1 Claim, 7 Drawing Sheets**

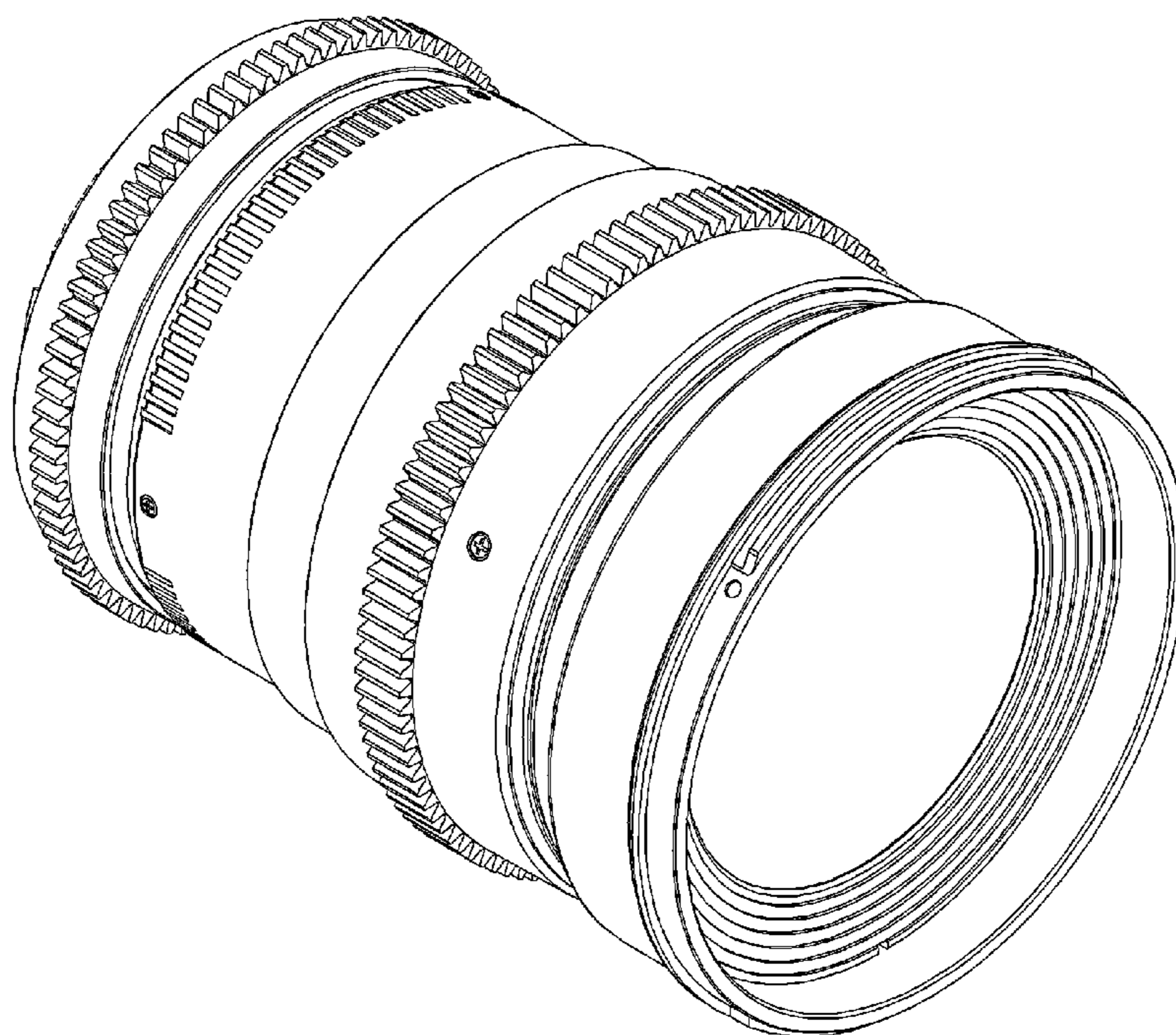


FIG. 1

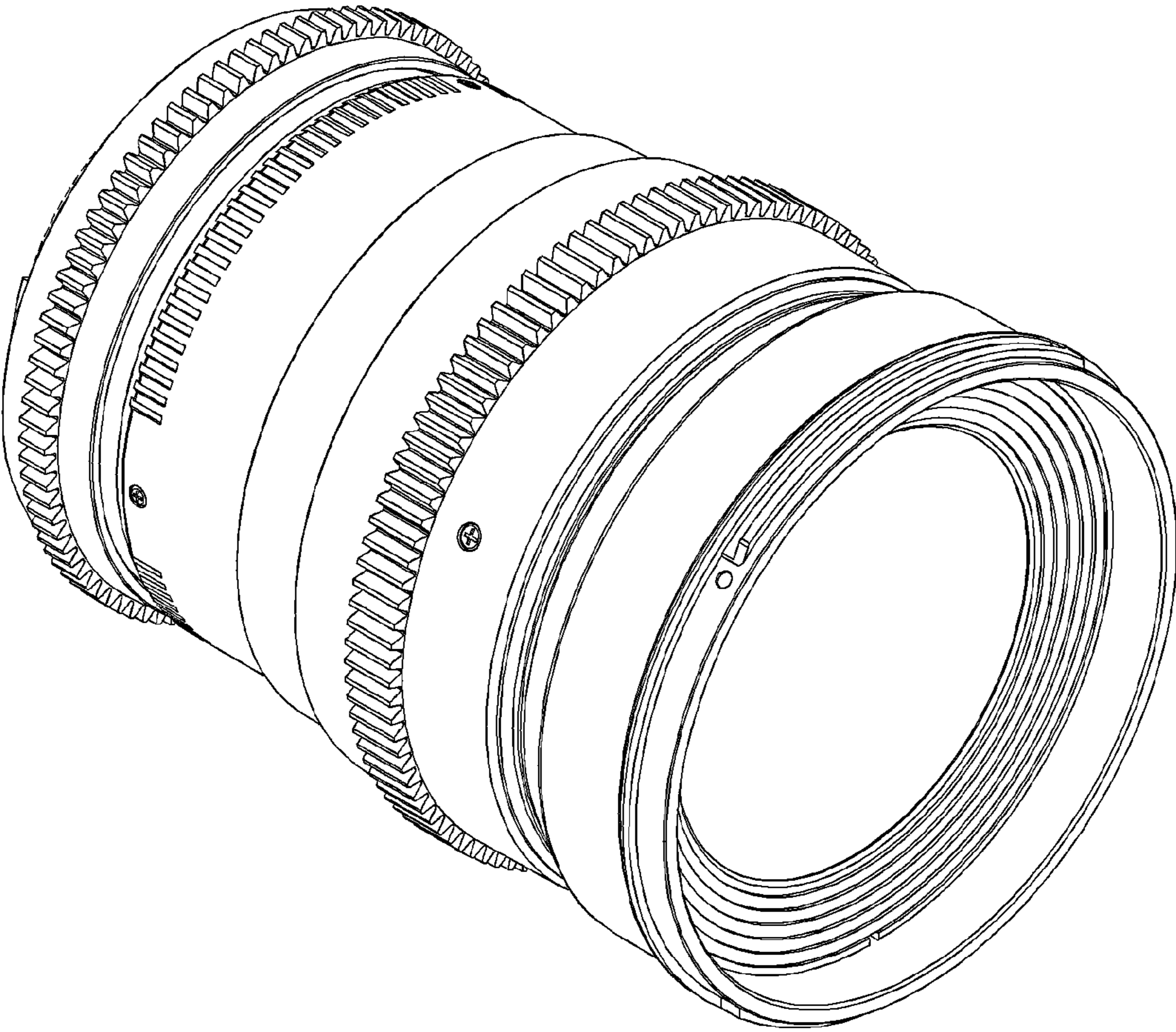


FIG. 2

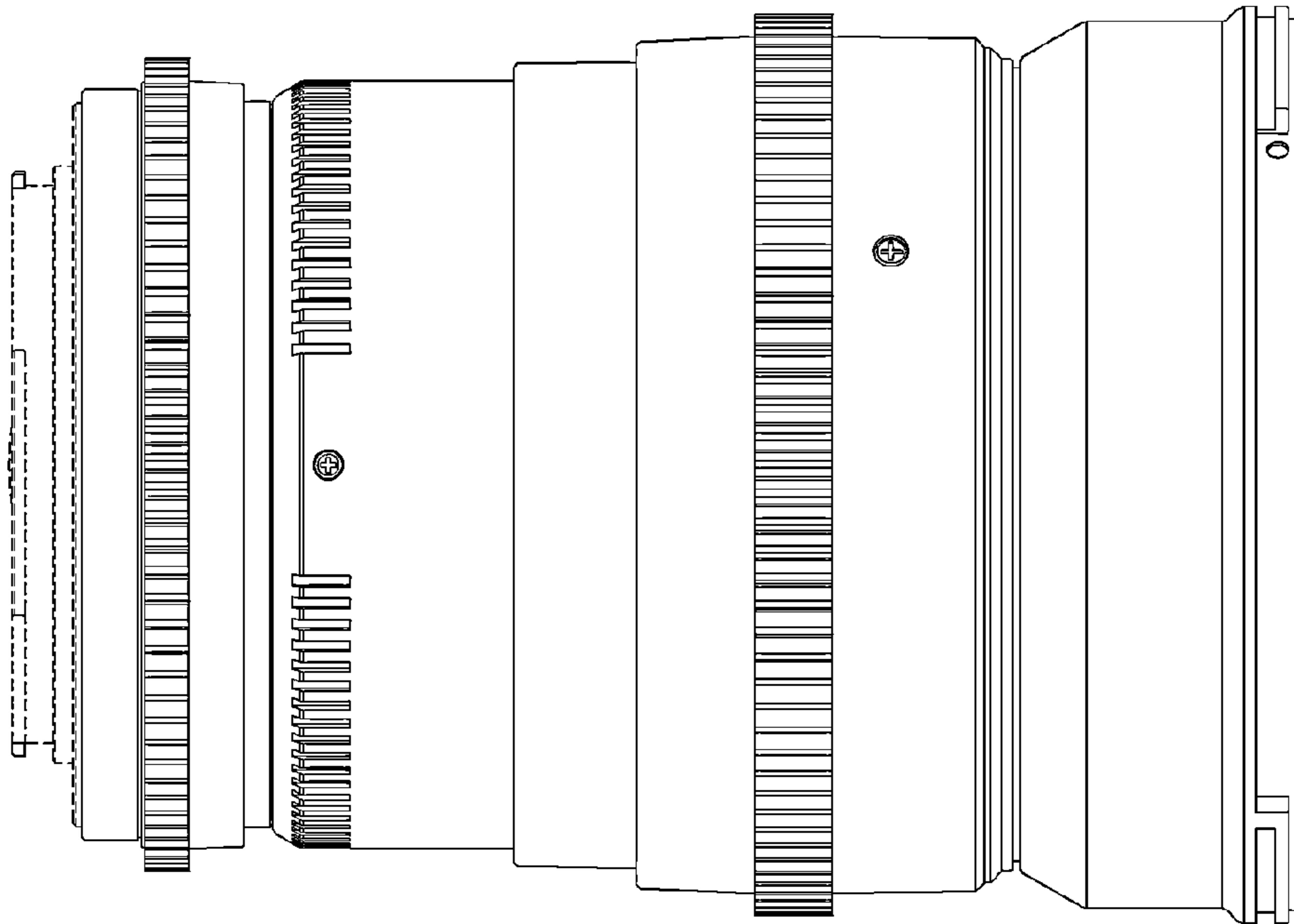


FIG. 3

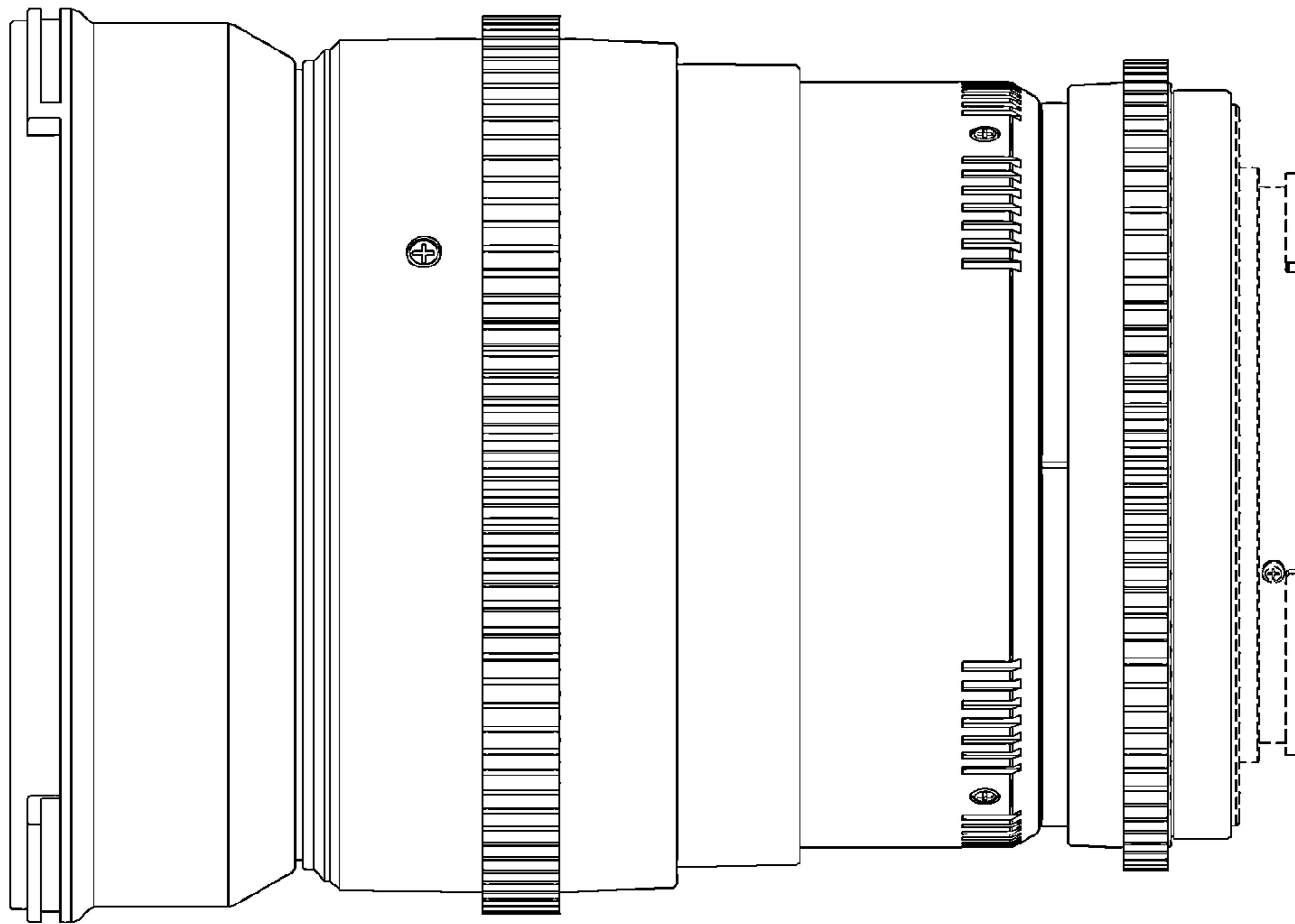


FIG. 4

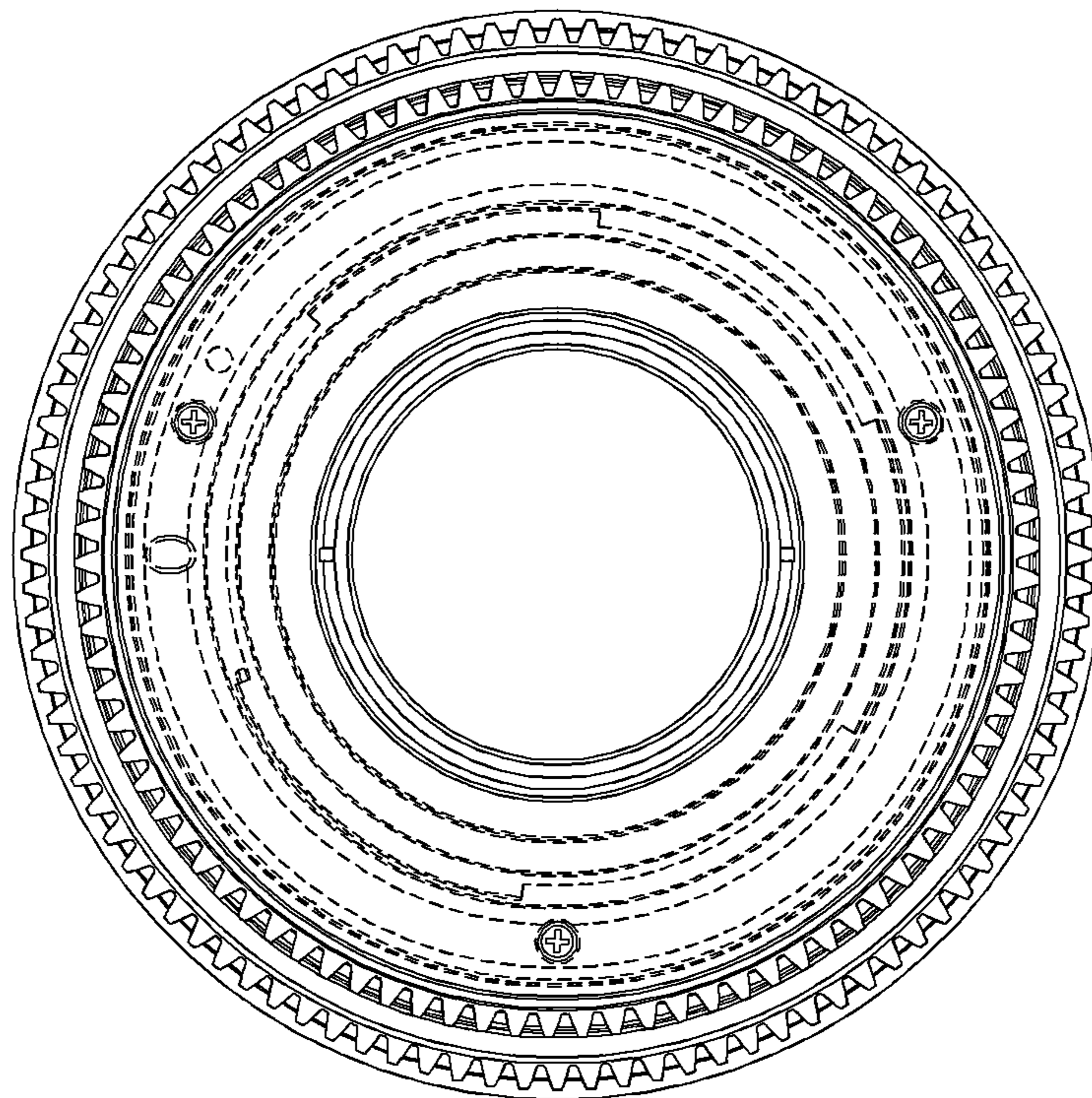


FIG. 5

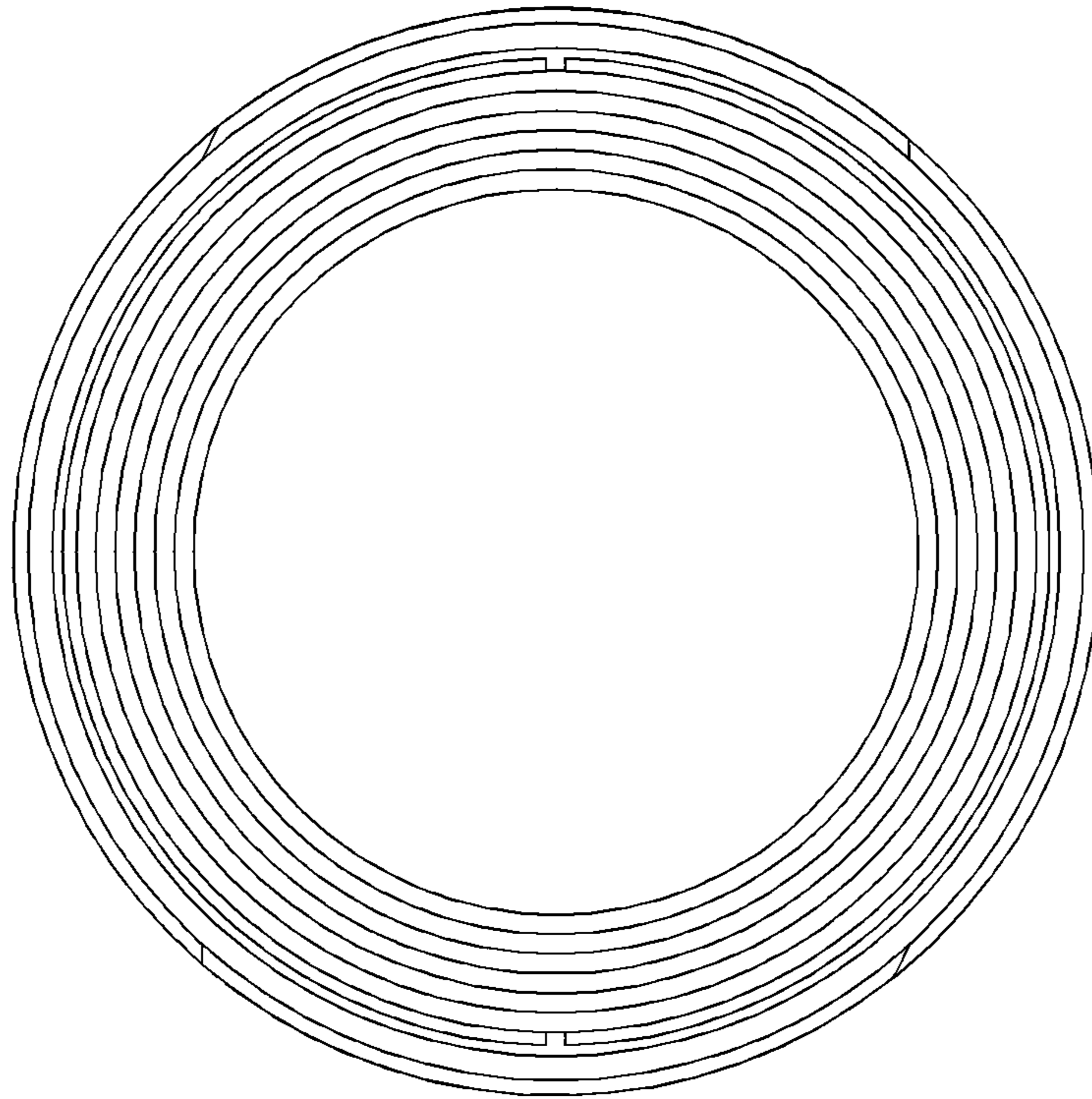


FIG. 6

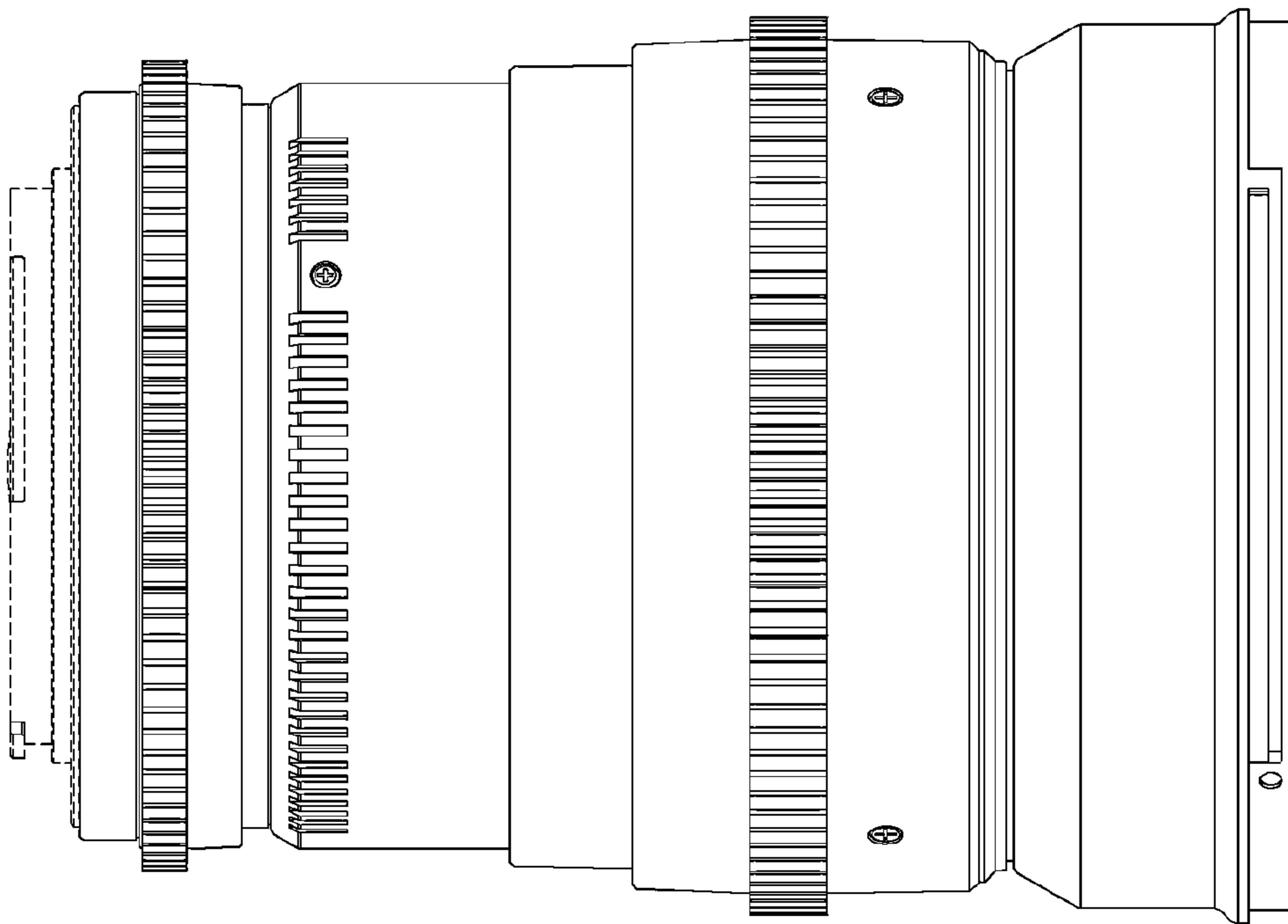


FIG. 7

