



US00D697540S

(12) **United States Design Patent**
Nkwantabisa

(10) **Patent No.:** **US D697,540 S**
(45) **Date of Patent:** **** Jan. 14, 2014**

(54) **OIL FUNNEL**

(71) Applicant: **Joseph Nkwantabisa**, Columbus, OH
(US)

(72) Inventor: **Joseph Nkwantabisa**, Columbus, OH
(US)

(**) Term: **14 Years**

(21) Appl. No.: **29/464,537**

(22) Filed: **Aug. 17, 2013**

(51) **LOC (10) Cl.** **15-99**

(52) **U.S. Cl.**
USPC **D15/150**

(58) **Field of Classification Search**
USPC D7/700; D15/150, 151, 152; D23/200;
D24/121-123; 141/95, 98, 297-300,
141/331-345
See application file for complete search history.

(56) **References Cited**

U.S. PATENT DOCUMENTS

D340,731 S	*	10/1993	Pollak et al.	D15/150
D350,969 S	*	9/1994	Chrisco	D15/150
D395,603 S	*	6/1998	Harris	D9/447
D422,674 S	*	4/2000	Chrisco et al.	D23/200
D496,216 S	*	9/2004	Morgan	D7/368
D499,180 S	*	11/2004	Best	D24/122
D541,116 S	*	4/2007	Upham et al.	D7/700
D554,166 S	*	10/2007	LaFollette	D15/152
D555,439 S	*	11/2007	Fletcher et al.	D7/700

2004/0154696	A1*	8/2004	Koncelik et al.	141/331
2008/0142114	A1*	6/2008	Cook et al.	141/331
2009/0223596	A1*	9/2009	Wang	141/297
2009/0283178	A1*	11/2009	Sun	141/337
2011/0011488	A1*	1/2011	Sickler	141/1
2011/0214782	A1*	9/2011	McGeary	141/337
2012/0267005	A1*	10/2012	Smith et al.	141/331
2012/0267006	A1*	10/2012	Liao	141/331
2012/0325369	A1*	12/2012	Moreland	141/98

* cited by examiner

Primary Examiner — Patricia Palasik

(74) *Attorney, Agent, or Firm* — Miracle IP; Bryce D. Miracle

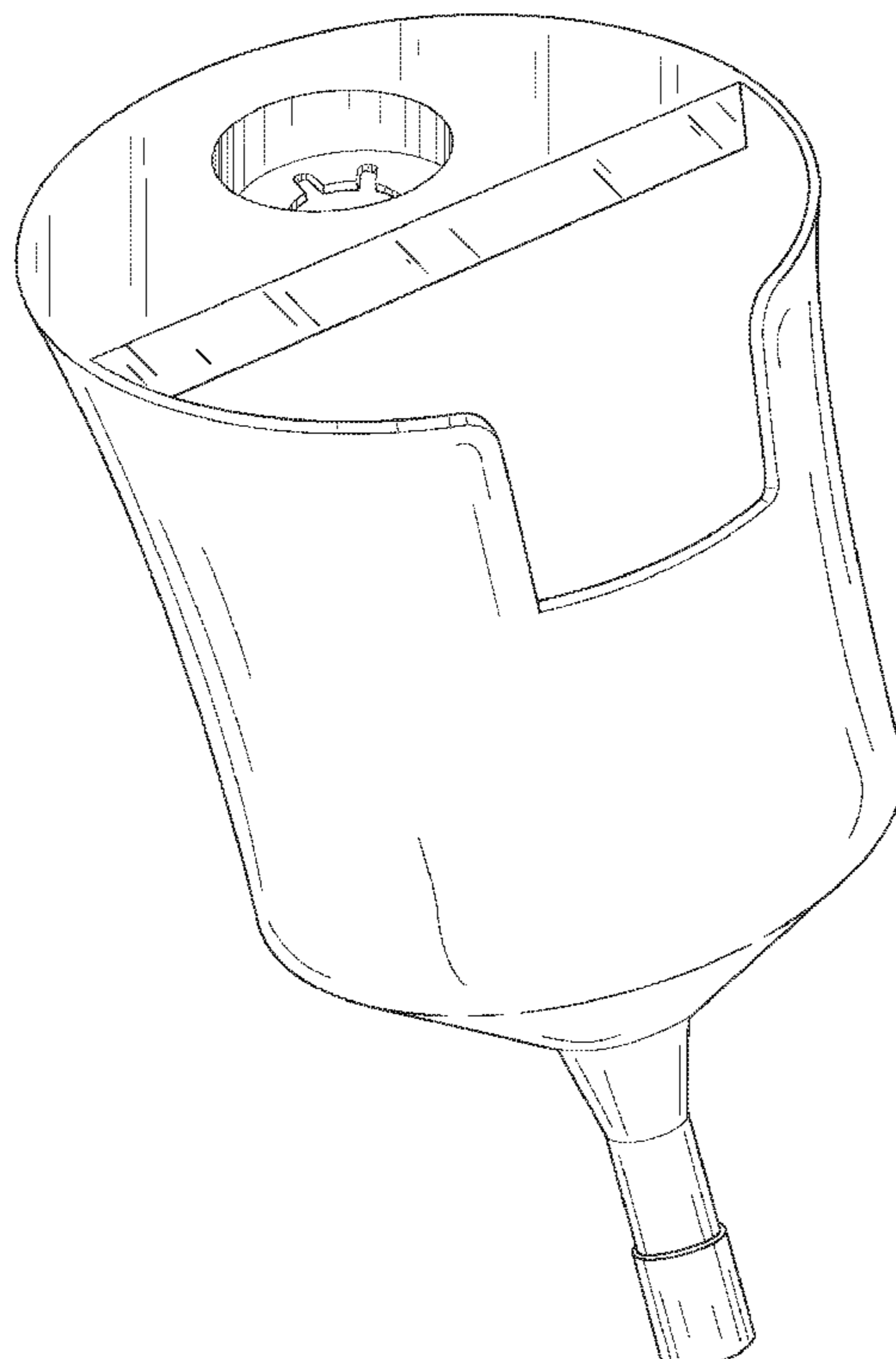
(57) **CLAIM**

The ornamental design for an oil funnel, substantially as shown and described.

DESCRIPTION

FIG. 1 is a front perspective view of a version of the oil funnel showing the new design;
FIG. 2 is a front elevation view thereof;
FIG. 3 is a rear elevation view thereof;
FIG. 4 is a left side elevation view thereof;
FIG. 5 is a right side elevation view thereof;
FIG. 6 is a top plan view thereof;
FIG. 7 is a bottom plan view thereof; and,
FIG. 8 is cross-sectional view taken along 8-8 of FIG. 6.
The broken lines shown in the drawings represent environmental matter and form no part of the claimed design. The design is not limited to the scale shown herein.

1 Claim, 8 Drawing Sheets



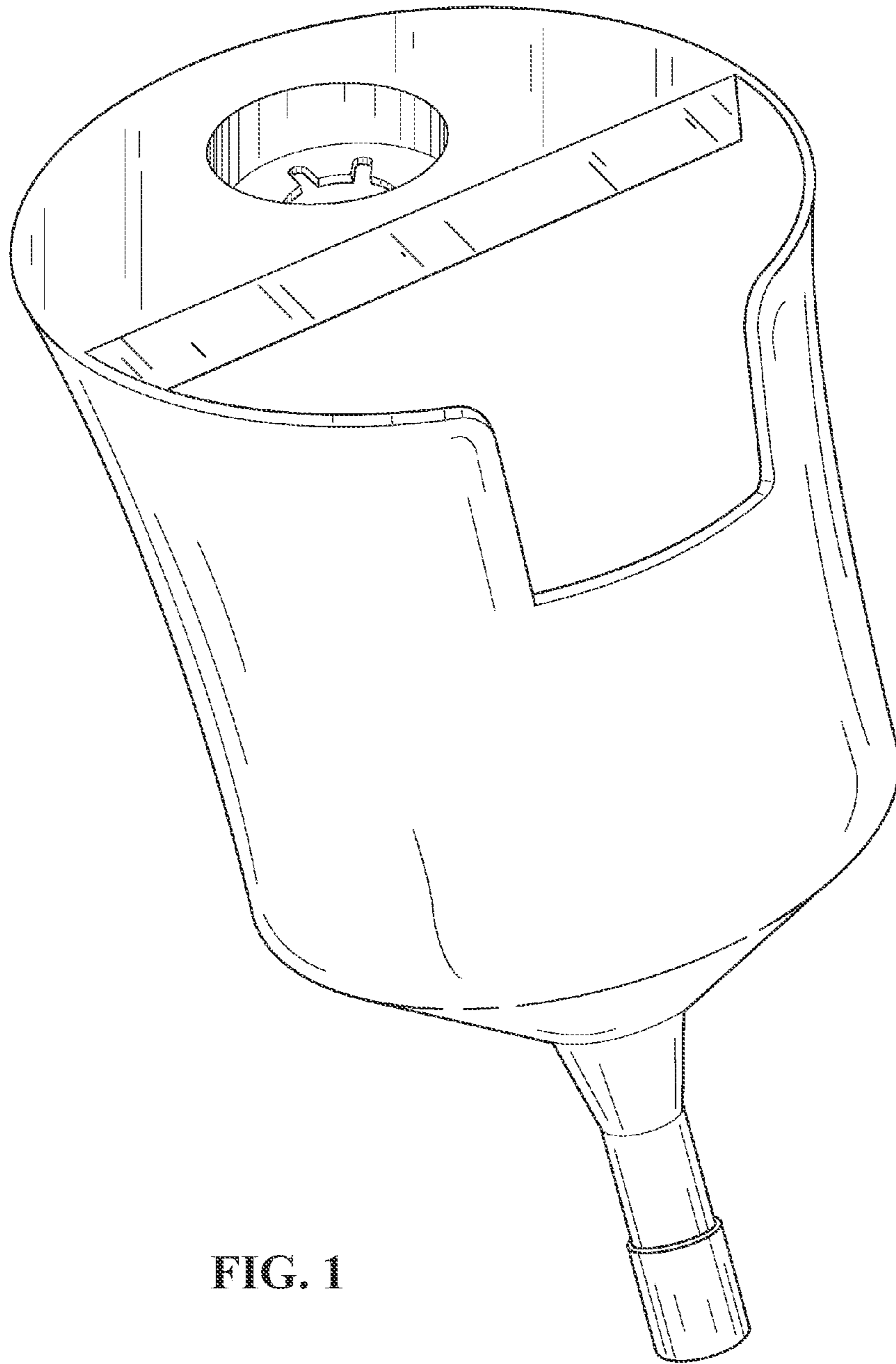


FIG. 1

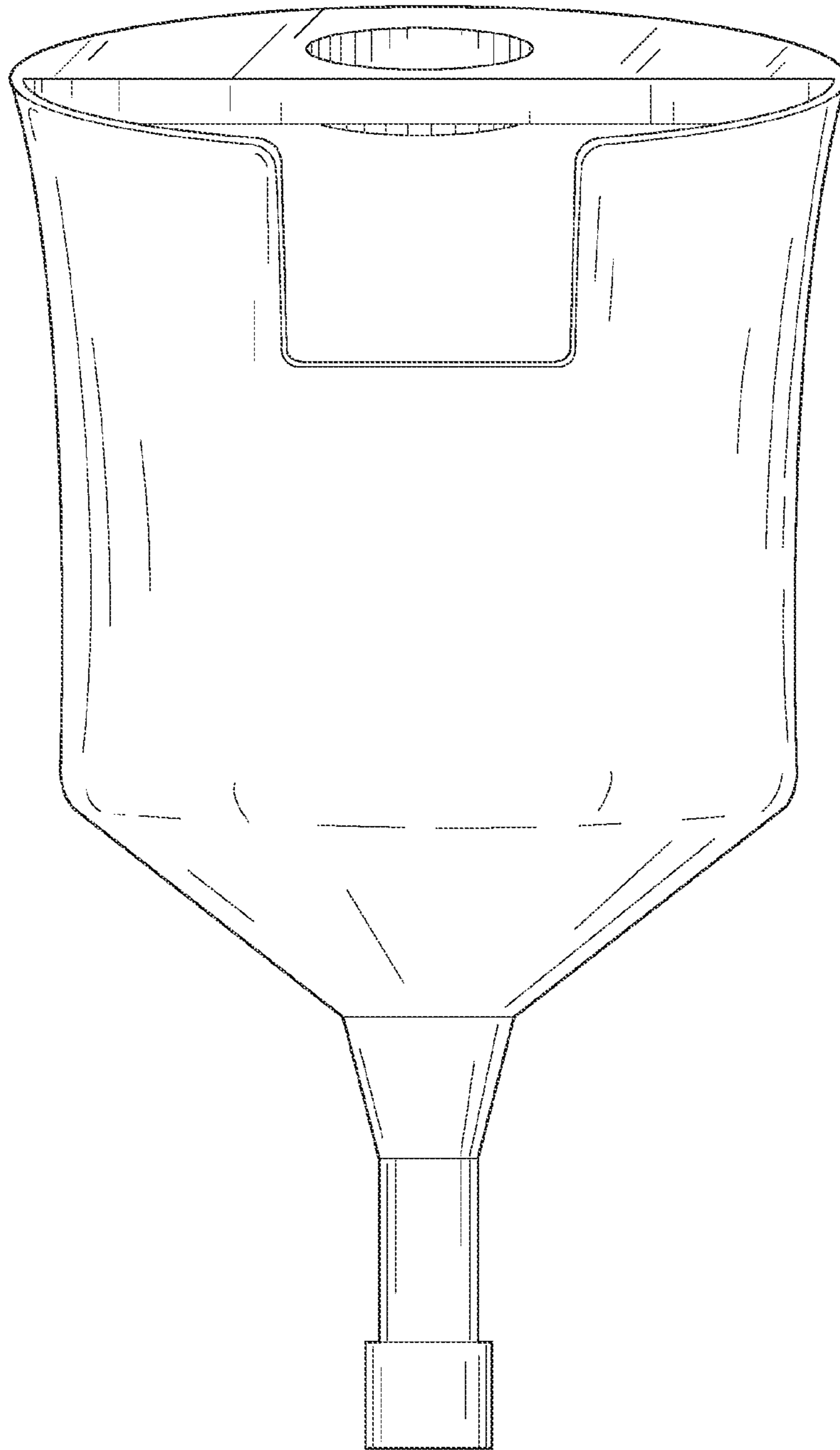


FIG. 2

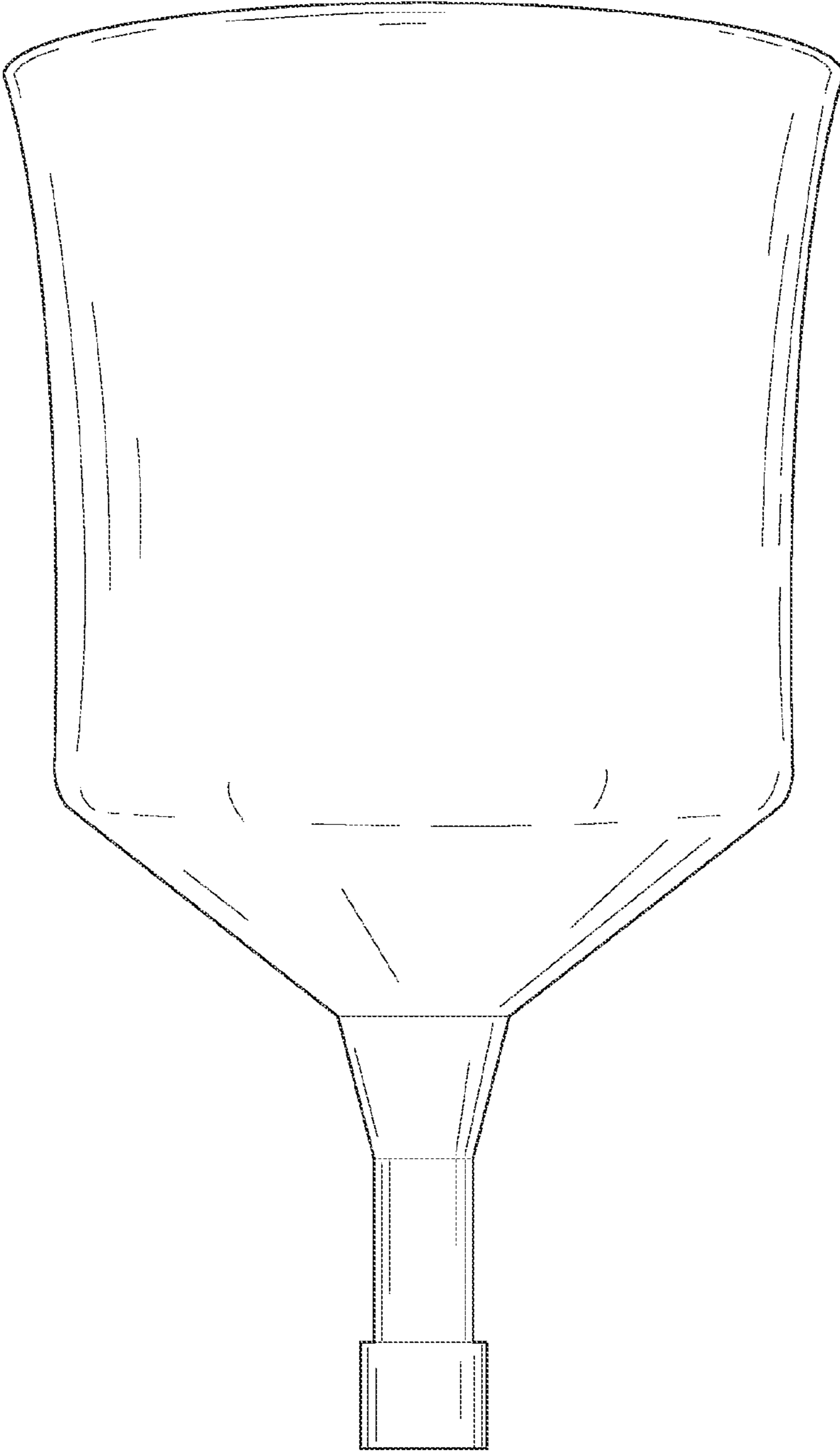


FIG. 3

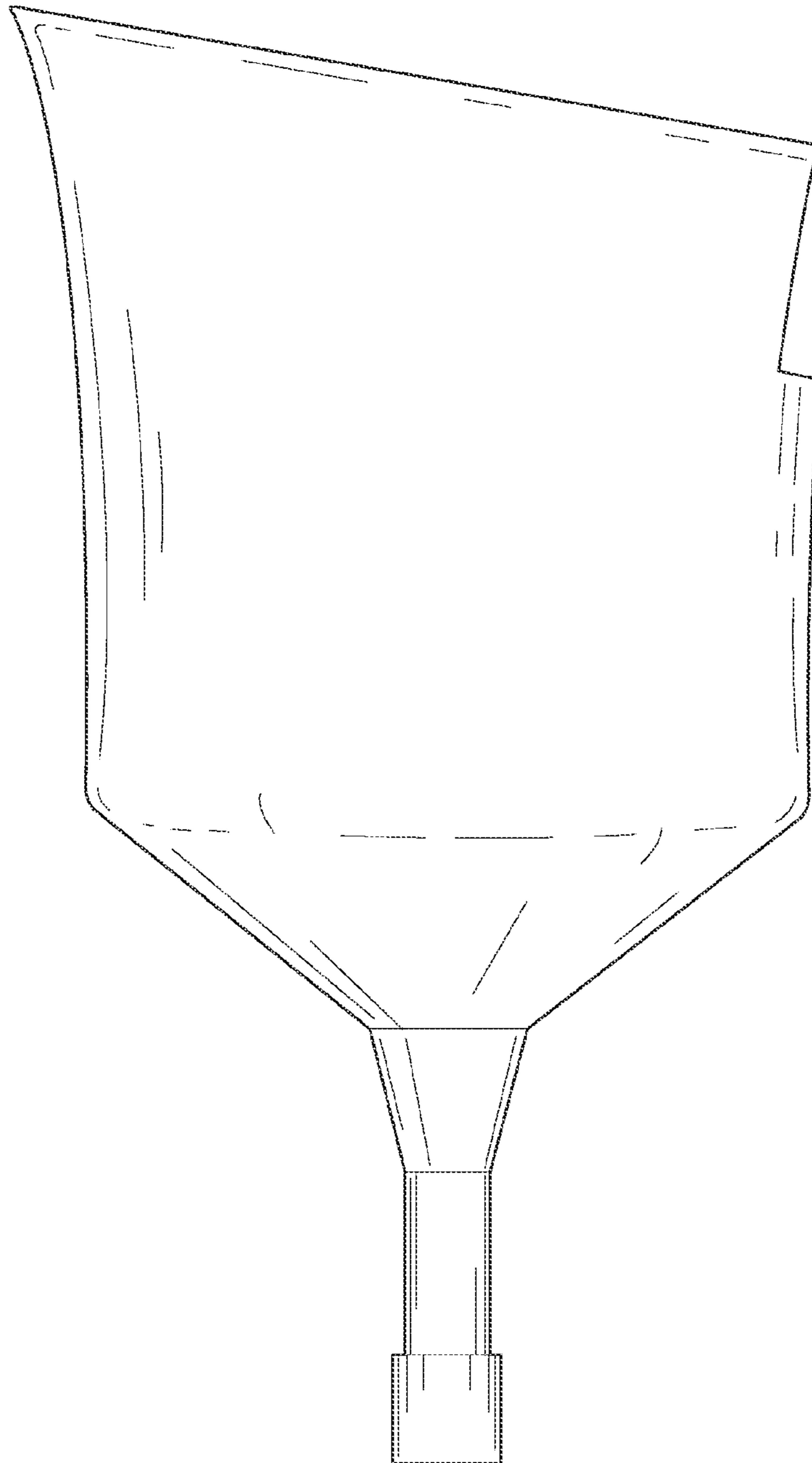


FIG. 4

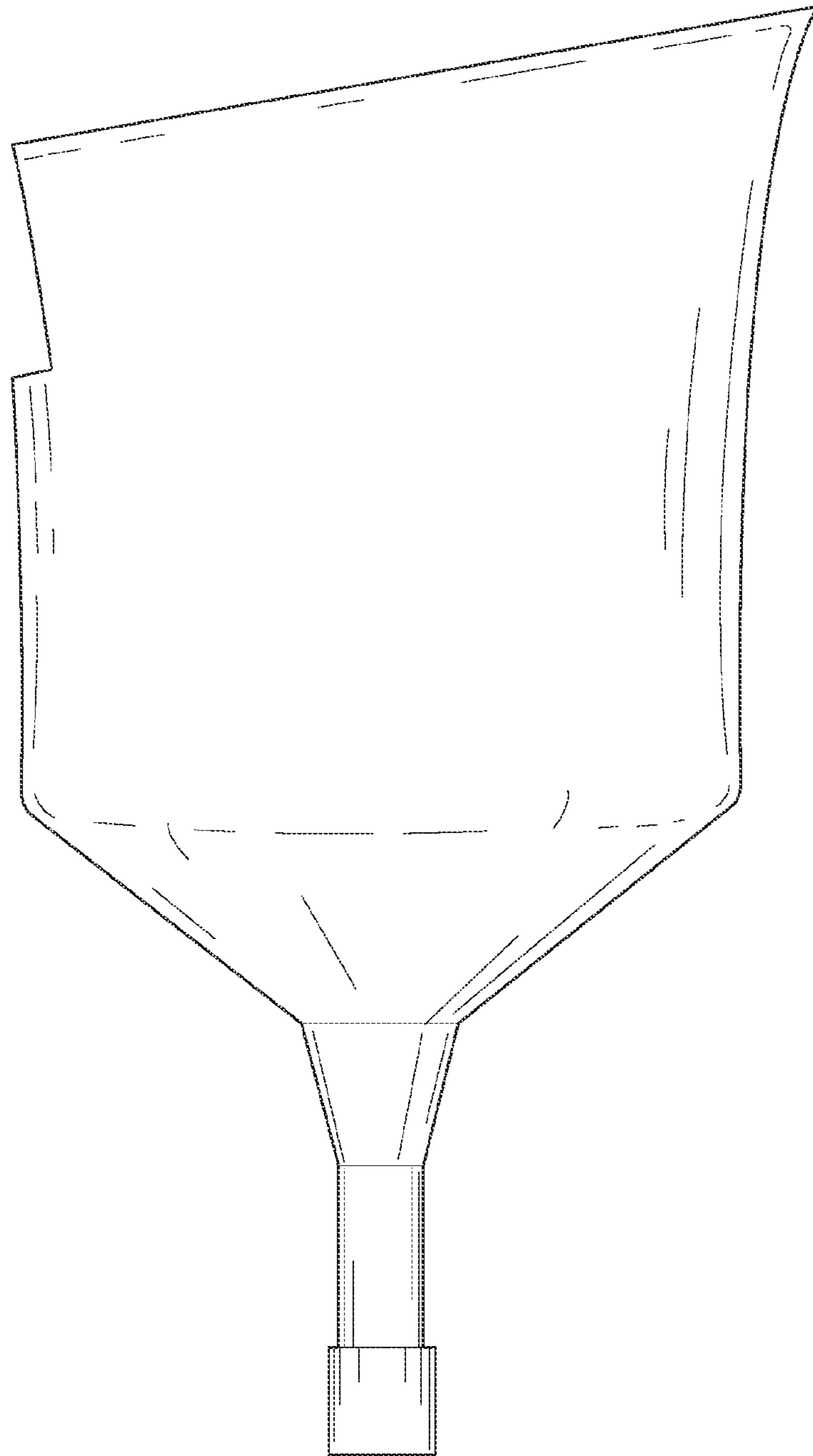


FIG. 5

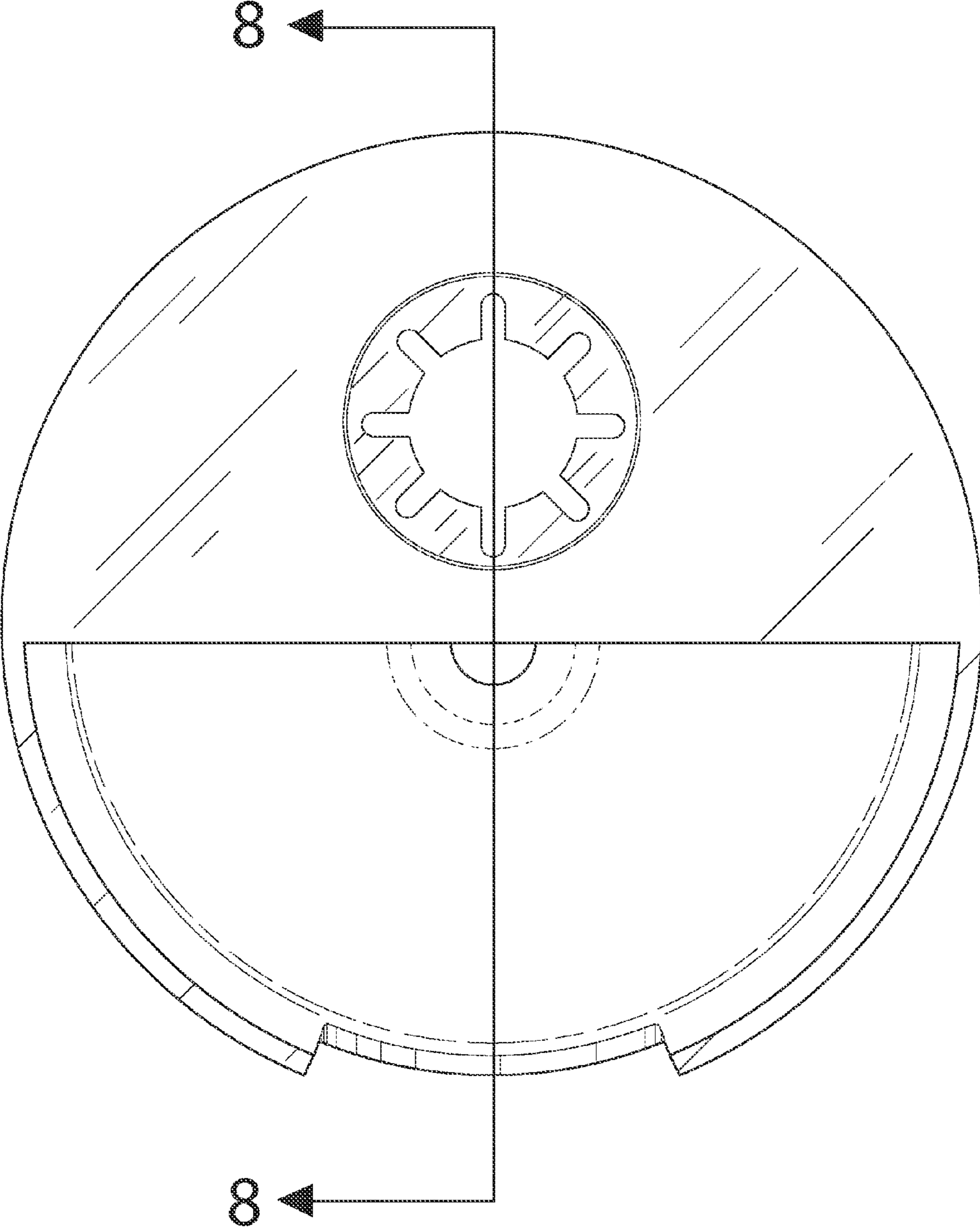


FIG. 6

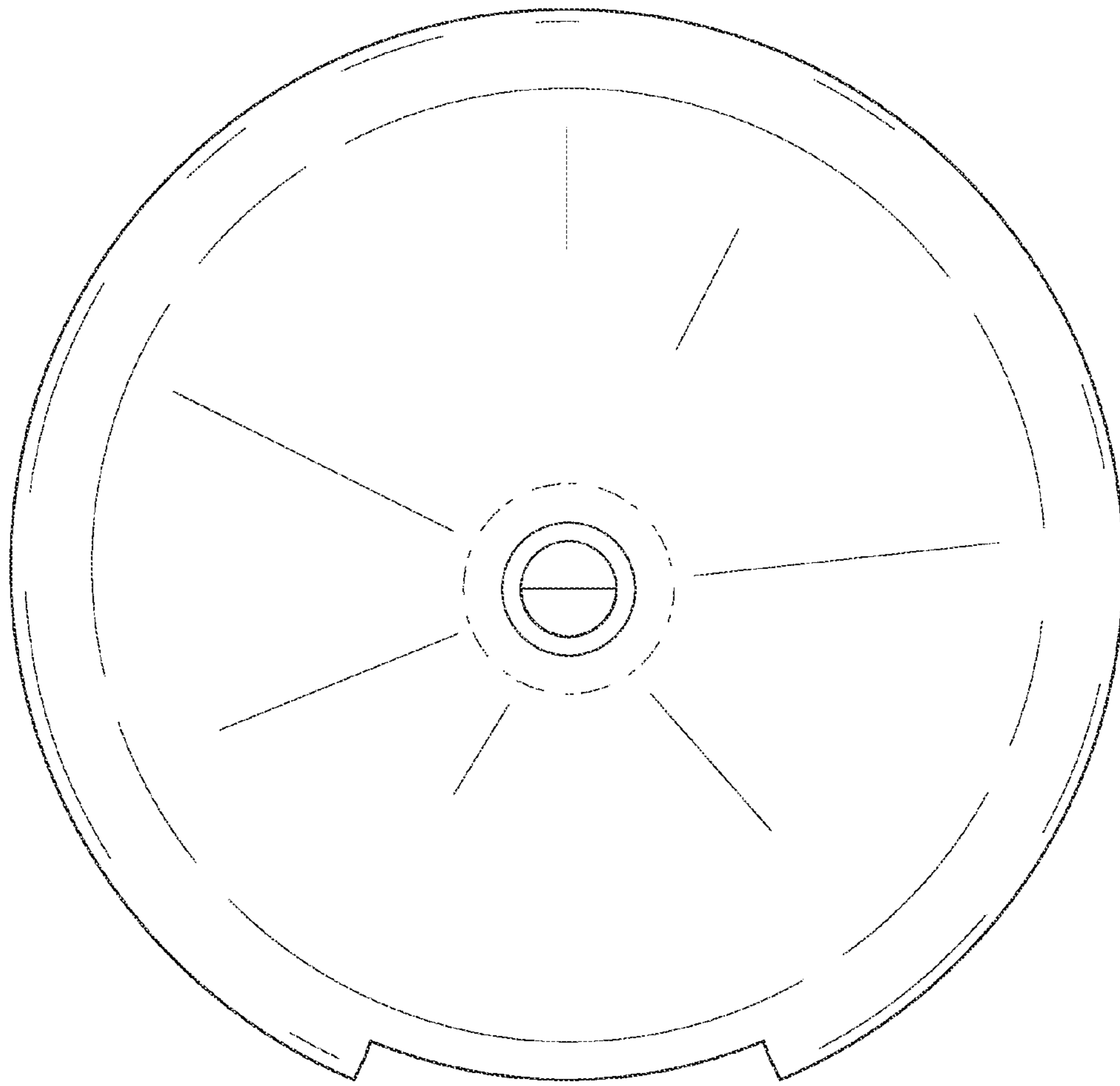


FIG. 7

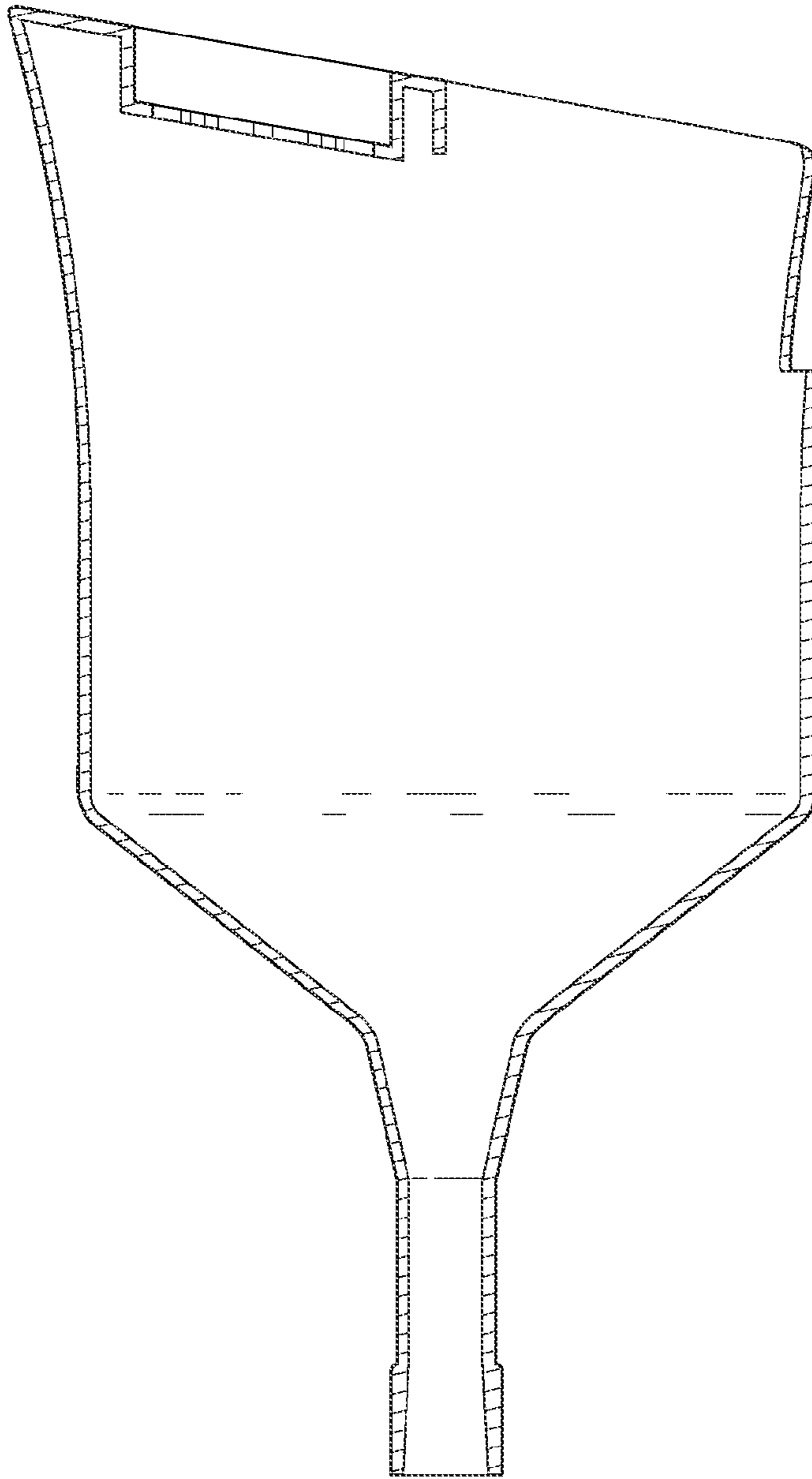


FIG. 8