



US00D697537S

(12) **United States Design Patent**
Seo et al.

(10) **Patent No.:** **US D697,537 S**
(45) **Date of Patent:** **** Jan. 14, 2014**

(54) **DISPENSER FOR REFRIGERATORS**

(75) Inventors: **Woon Kyu Seo**, Seoul (KR); **Jung Yeon Hwang**, Seoul (KR); **Seon Kyu Kim**, Seoul (KR); **Seung Jin Yoon**, Gyeonggi-do (KR); **Dae Sung Lee**, Gyeonggi-do (KR)

(73) Assignee: **LG Electronics Inc.**, Seoul (KR)

(**) Term: **14 Years**

(21) Appl. No.: **29/429,292**

(22) Filed: **Aug. 9, 2012**

(30) **Foreign Application Priority Data**

Feb. 10, 2012 (KR) 30-2012-0006183

(51) **LOC (10) Cl.** **15-07**

(52) **U.S. Cl.**
USPC **D15/89**

(58) **Field of Classification Search**
USPC D15/79-89, 91; 312/236, 352, 312/400-408, 116; 62/3.1-3.64, 98, 236, 62/275, 293, 331, 344, 352, 371, 440, 467, 62/529, 531; D7/306; 222/146.5, 145.6
See application file for complete search history.

(56) **References Cited**

U.S. PATENT DOCUMENTS

D365,579 S * 12/1995 Baker et al. D15/89
5,474,213 A * 12/1995 Unger D15/89

D367,659 S * 3/1996 Baker et al. D15/89
5,526,854 A * 6/1996 Unger 222/146.5
D379,095 S * 5/1997 Sparks D15/85
6,651,449 B2 * 11/2003 Heims et al. 222/146.6
D511,534 S * 11/2005 Ertz et al. D15/89
D514,139 S * 1/2006 Ertz et al. D15/89
D523,878 S * 6/2006 Quinlan et al. D15/89
D544,287 S * 6/2007 Joss et al. D15/79
D568,913 S * 5/2008 Suh et al. D15/89
D569,399 S * 5/2008 Crookshanks et al. D15/89
D582,443 S * 12/2008 Kim et al. D15/89
D589,988 S * 4/2009 Martin et al. D15/89
D672,376 S * 12/2012 Ringemann et al. D15/89

* cited by examiner

Primary Examiner — Mitchell Siegel

(74) *Attorney, Agent, or Firm* — Birch, Stewart, Kolasch & Birch, LLP

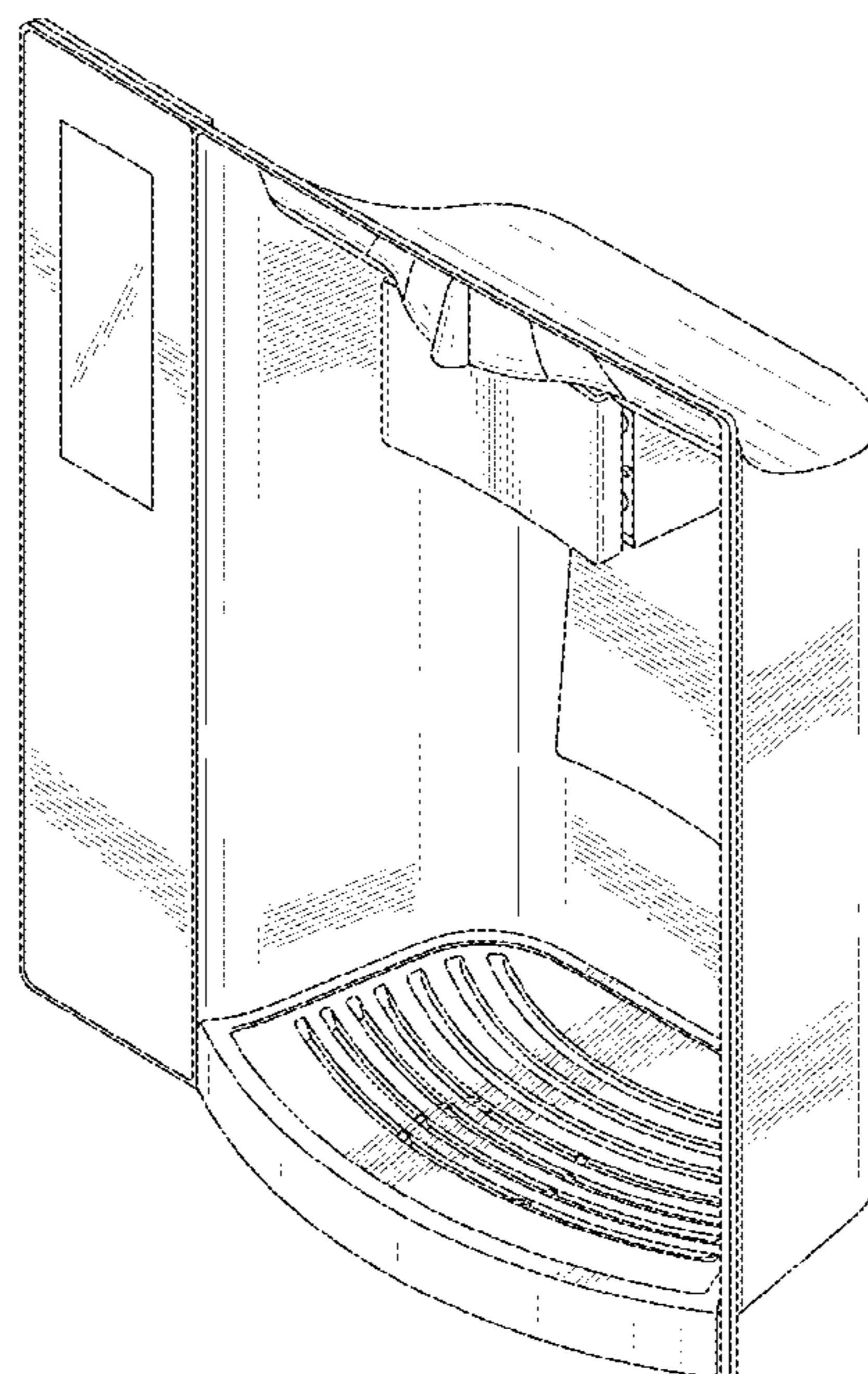
(57) **CLAIM**

We claim the ornamental design for a dispenser for refrigerators, as shown and described.

DESCRIPTION

FIG. 1 is a perspective view of a dispenser for refrigerators showing our new design;
FIG. 2 is a front elevation view thereof;
FIG. 3 is a rear elevation view thereof;
FIG. 4 is a left-side elevation view thereof;
FIG. 5 is a right-side elevation view thereof;
FIG. 6 is a top plan view thereof; and,
FIG. 7 is a bottom plan view thereof.

1 Claim, 5 Drawing Sheets



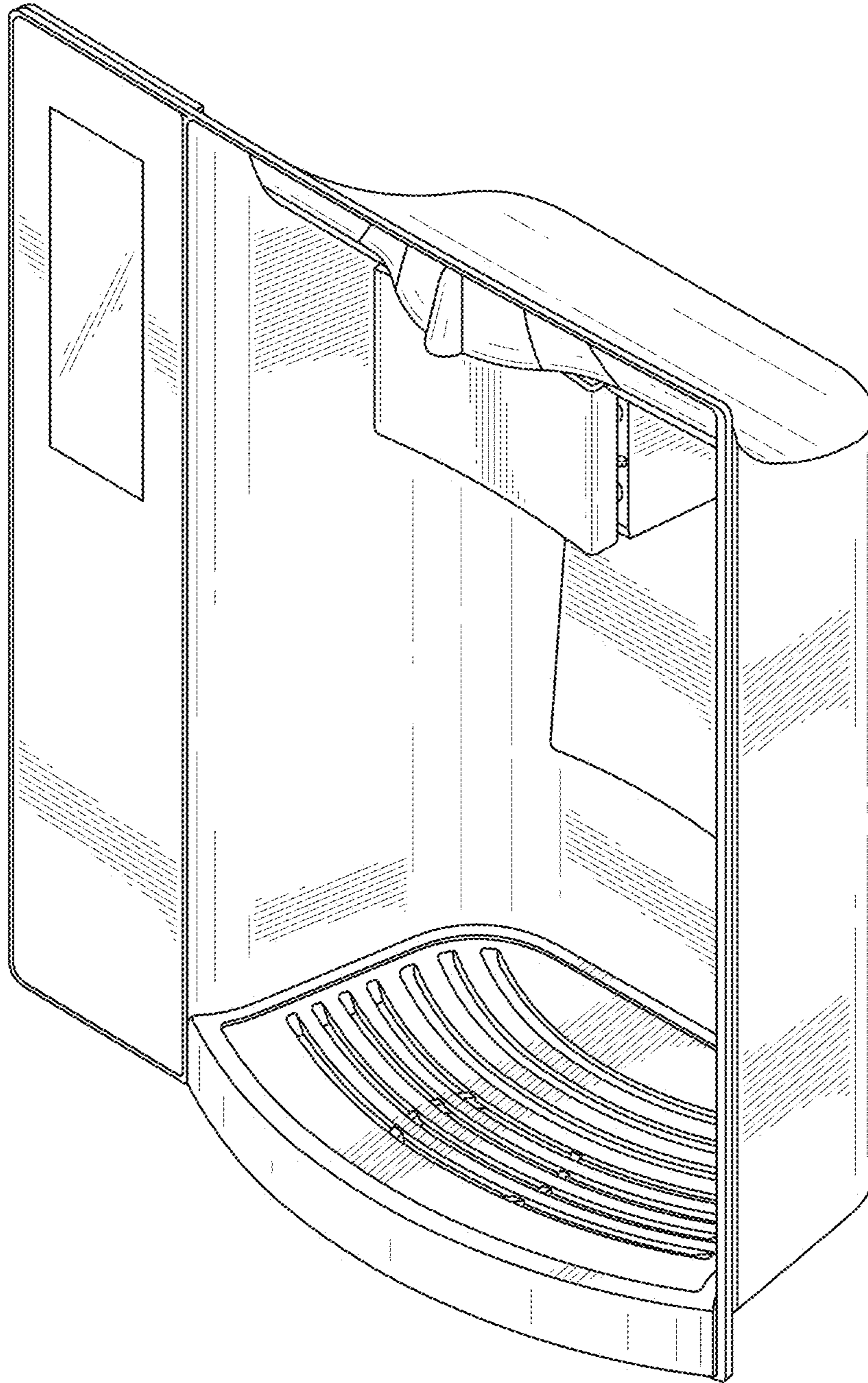


FIG. 1

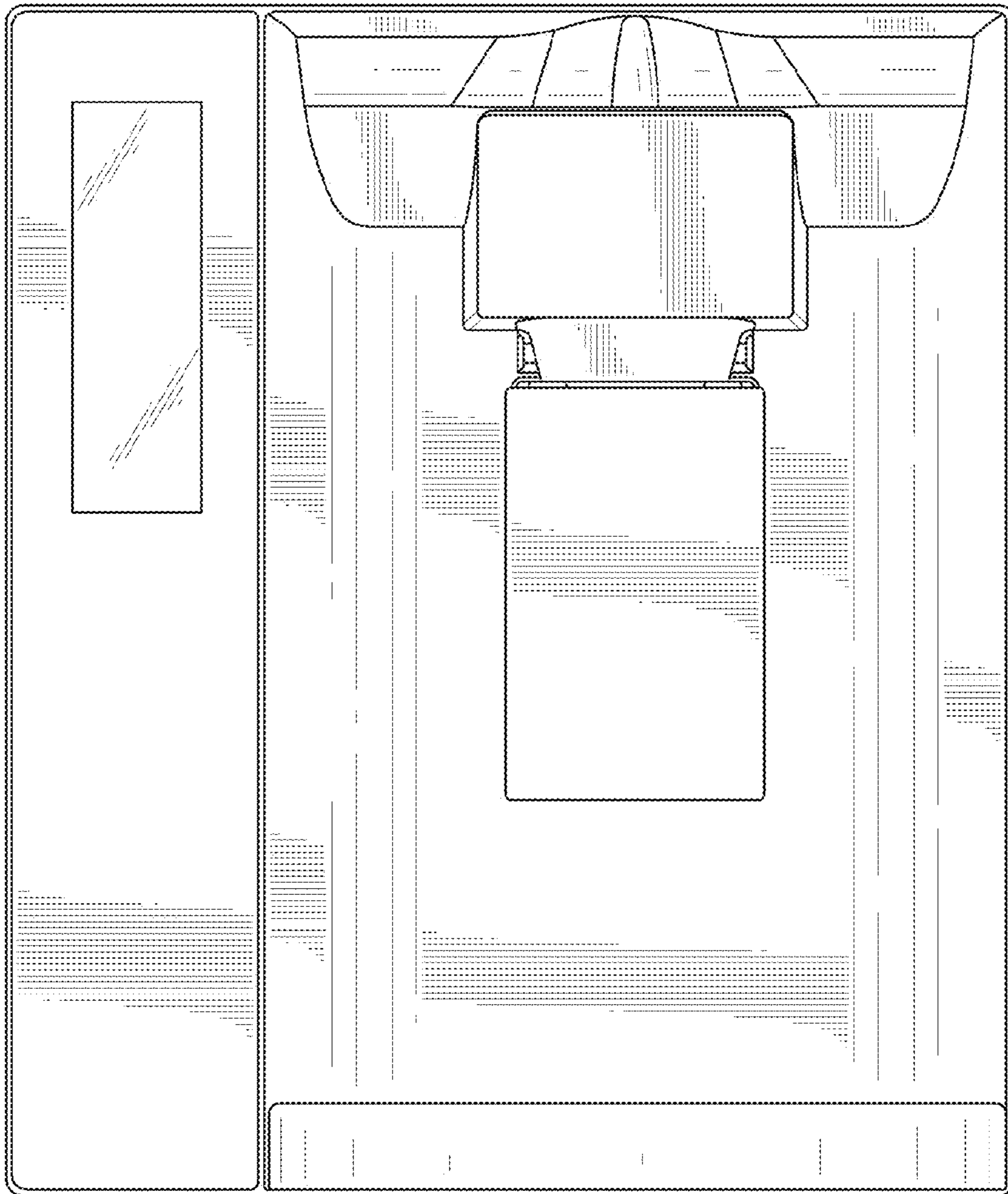


FIG.2

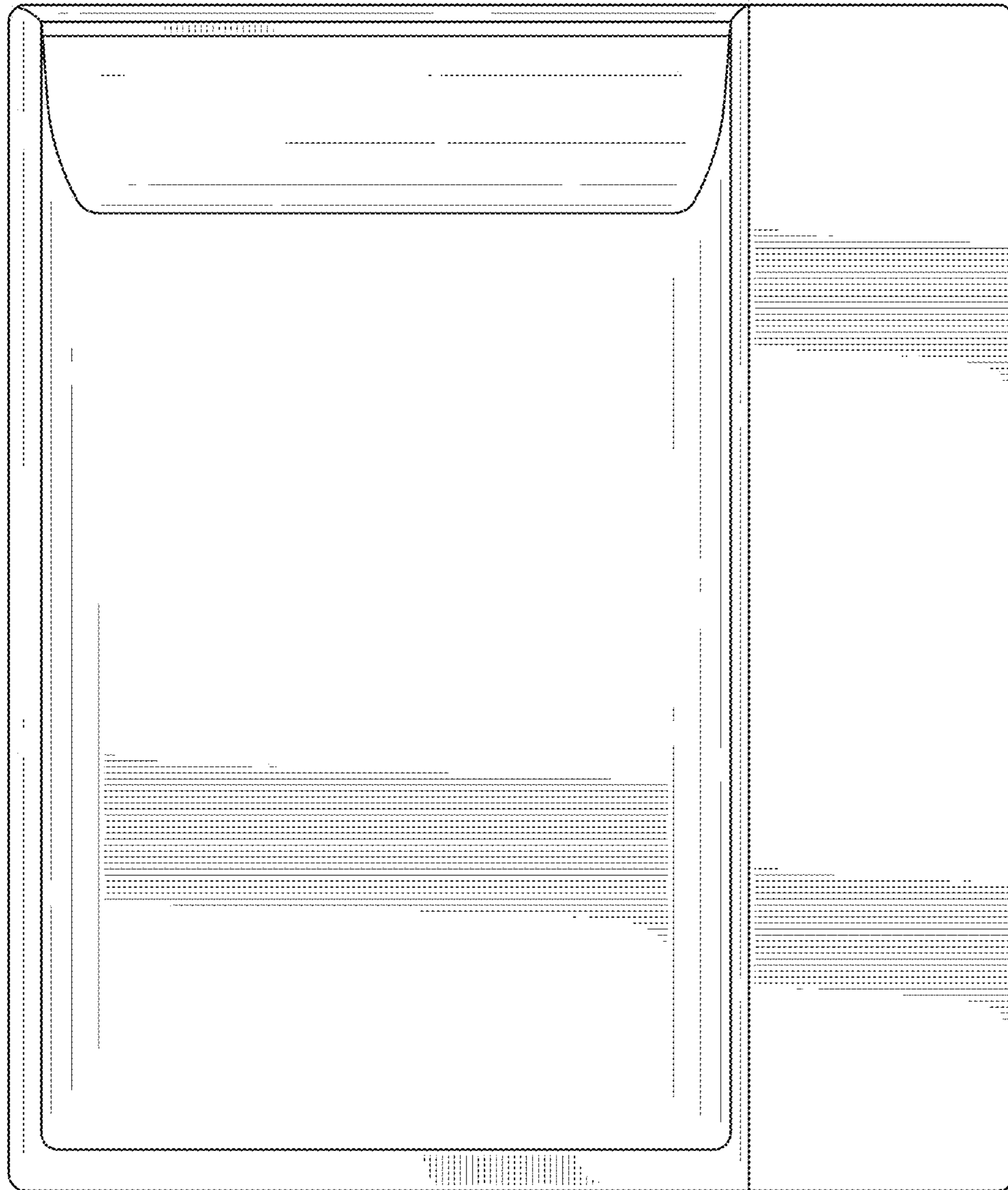


FIG. 3

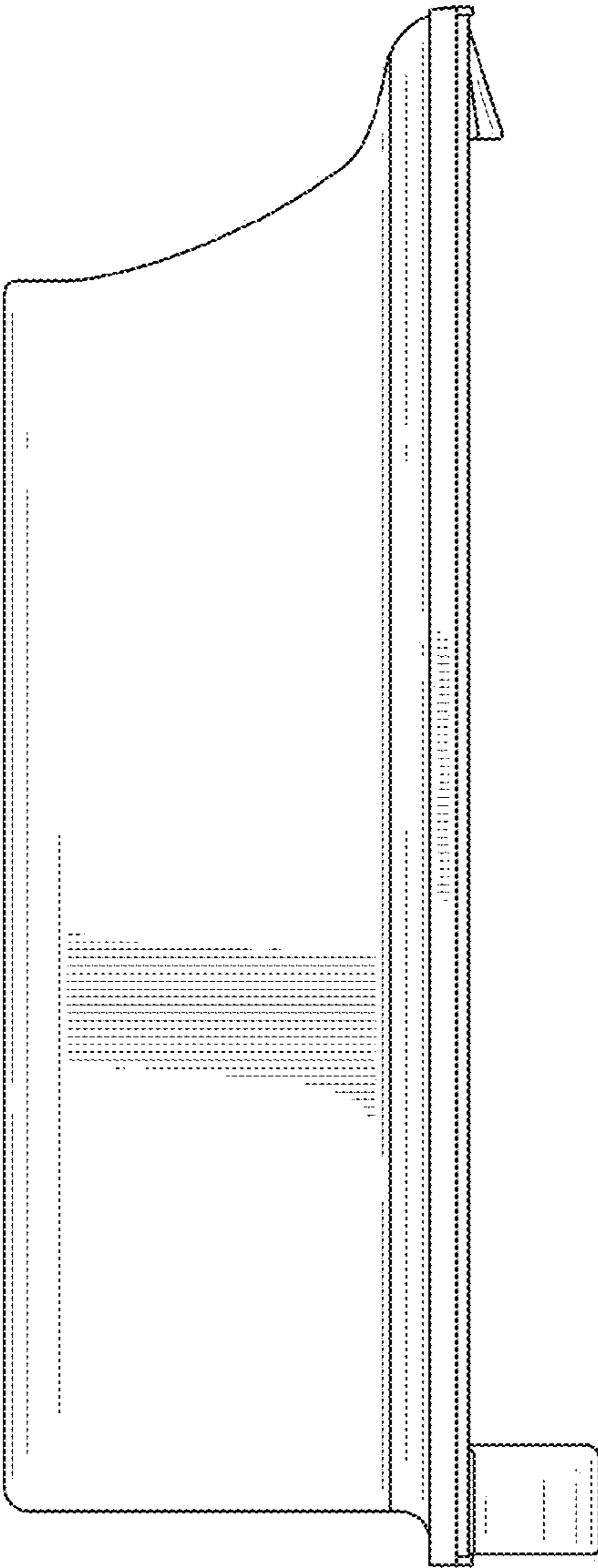


FIG. 4

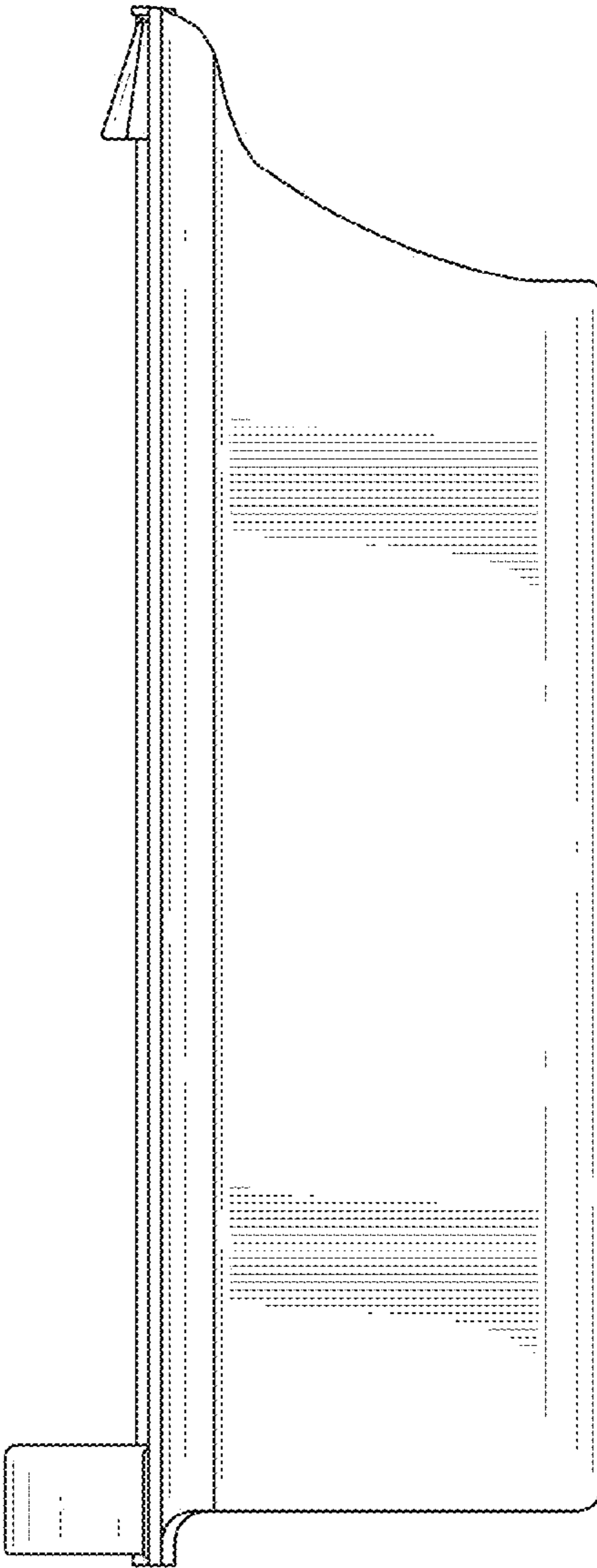


FIG. 5

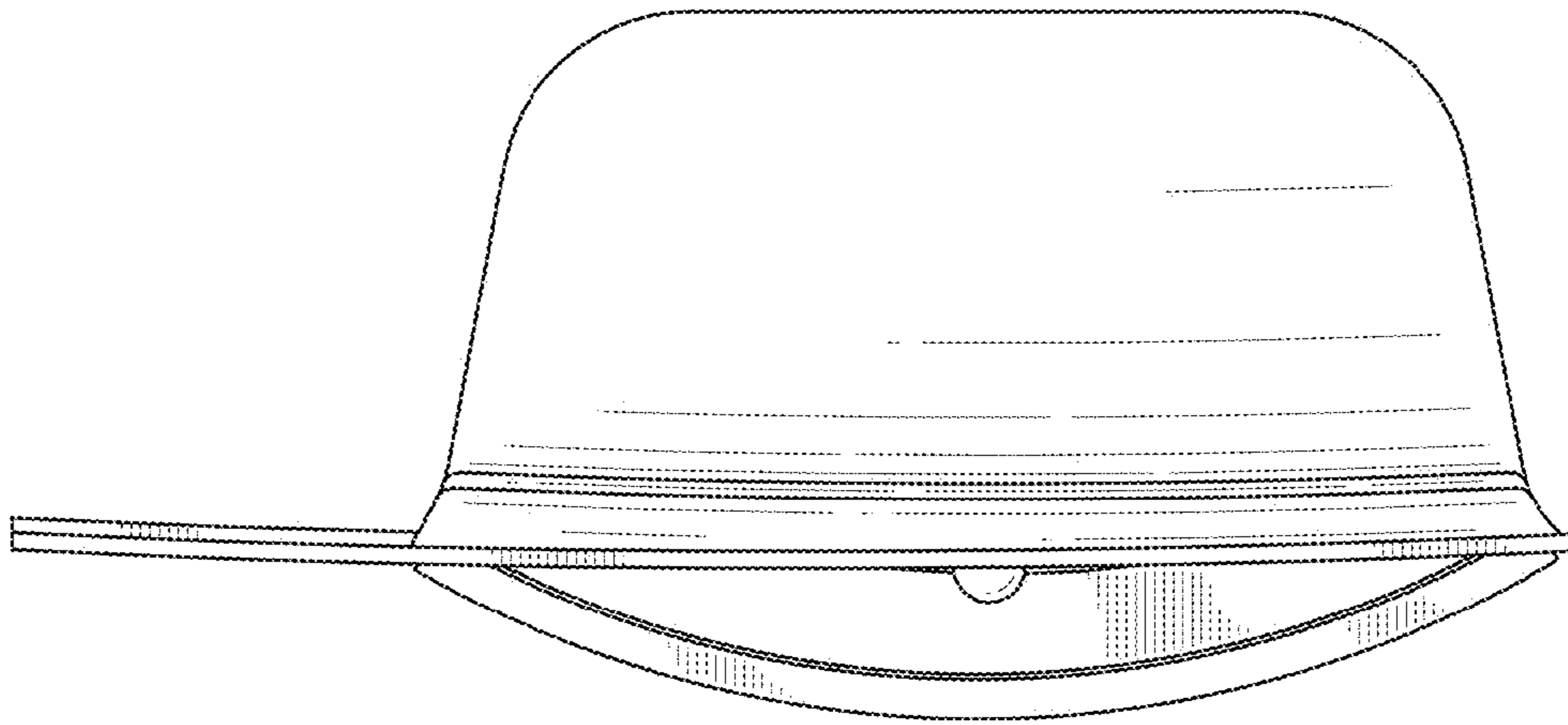


FIG. 6

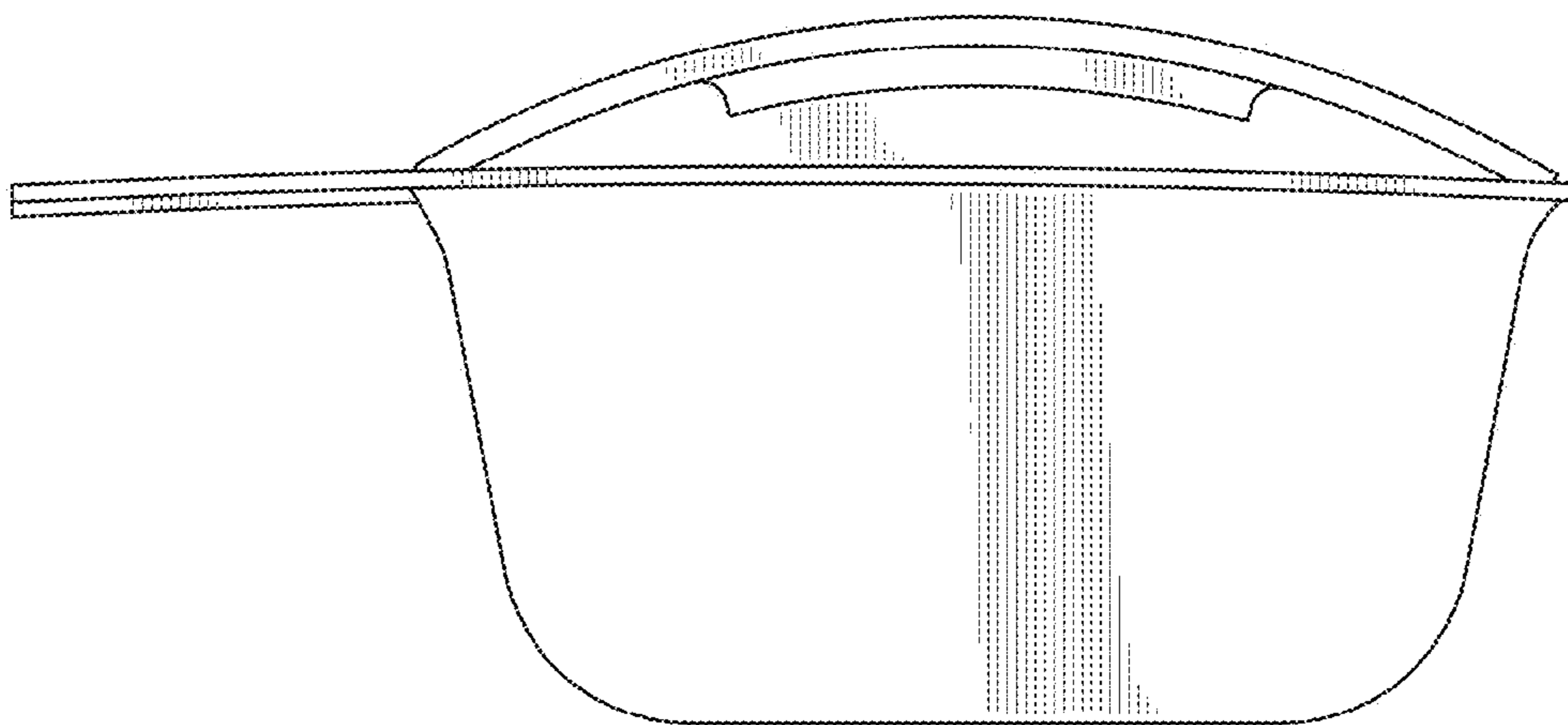


FIG. 7