



US00D697536S

(12) **United States Design Patent**
Nuebel

(10) **Patent No.:** **US D697,536 S**
(45) **Date of Patent:** **** Jan. 14, 2014**

(54) **TRACTOR**

(71) Applicant: **Claas KGaA mbH**, Harsewinkel (DE)

(72) Inventor: **Thomas Nuebel**, Harsewinkel (DE)

(73) Assignee: **Claas KGaA mbH**, Harsewinkel (DE)

(**) Term: **14 Years**

(21) Appl. No.: **29/457,382**

(22) Filed: **Jun. 10, 2013**

(30) **Foreign Application Priority Data**

Dec. 12, 2012 (EP) 002151415-0001

(51) **LOC (10) Cl.** **15-03**

(52) **U.S. Cl.**
USPC **D15/33; D15/23**

(58) **Field of Classification Search**
USPC D15/10, 14-17, 22-26, 30, 33; 56/13.3,
56/13.4, 15.8, 15.9, 16.1, 16.7, 175, 202;
180/89.1, 89.12, 900

See application file for complete search history.

(56) **References Cited**

U.S. PATENT DOCUMENTS

D498,245 S * 11/2004 Kuwae et al. D15/23
D519,130 S * 4/2006 Higashikawa et al. D15/23
D519,131 S * 4/2006 Kuwae et al. D15/23

D555,674 S * 11/2007 Kuwae D15/23
D598,473 S * 8/2009 Ferrari D15/15
D602,047 S * 10/2009 Kushita et al. D15/23
D613,776 S * 4/2010 Bianco et al. D15/33
D613,777 S * 4/2010 Bianco et al. D15/33
D637,628 S * 5/2011 Rupp D15/28
D641,027 S * 7/2011 Kawashiri et al. D15/23
D664,569 S * 7/2012 Rupp D15/28
D668,270 S * 10/2012 Kushita et al. D15/23
D671,562 S * 11/2012 Adamson et al. D15/23

* cited by examiner

Primary Examiner — Mark Goodwin

(74) *Attorney, Agent, or Firm* — Michael J. Striker

(57) **CLAIM**

I claim the ornamental design for a tractor, as shown and described.

DESCRIPTION

FIG. 1 is a front right perspective view of a tractor showing my new design;

FIG. 2 is a front left perspective view thereof;

FIG. 3 is a front view thereof;

FIG. 4 is a back view thereof;

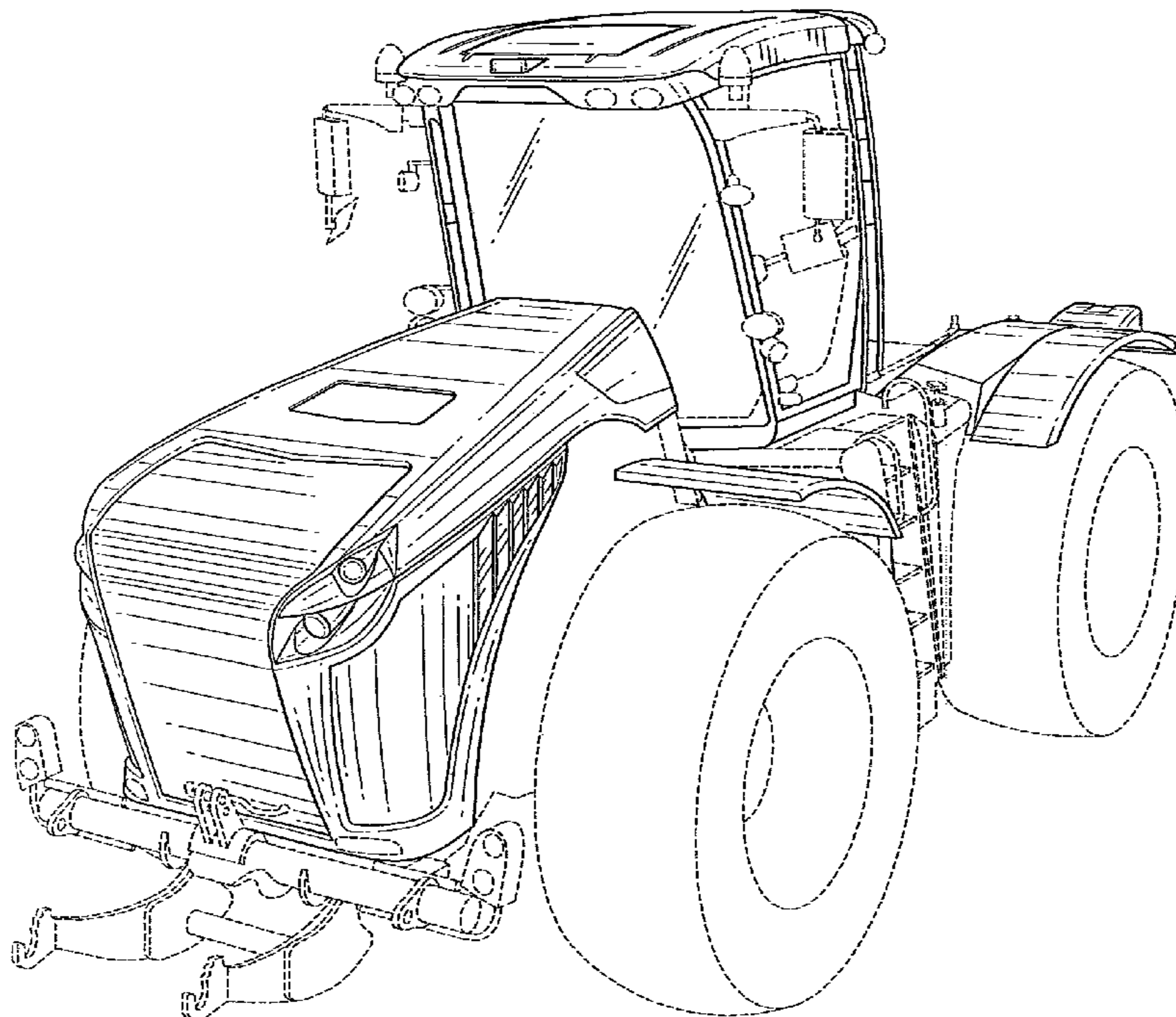
FIG. 5 is a left side view thereof;

FIG. 6 is a right side view thereof; and,

FIG. 7 is a top view thereof.

The broken line showing of portions of a tractor is included for the purpose of illustrating environmental structure only and forms no part of the claimed design.

1 Claim, 7 Drawing Sheets



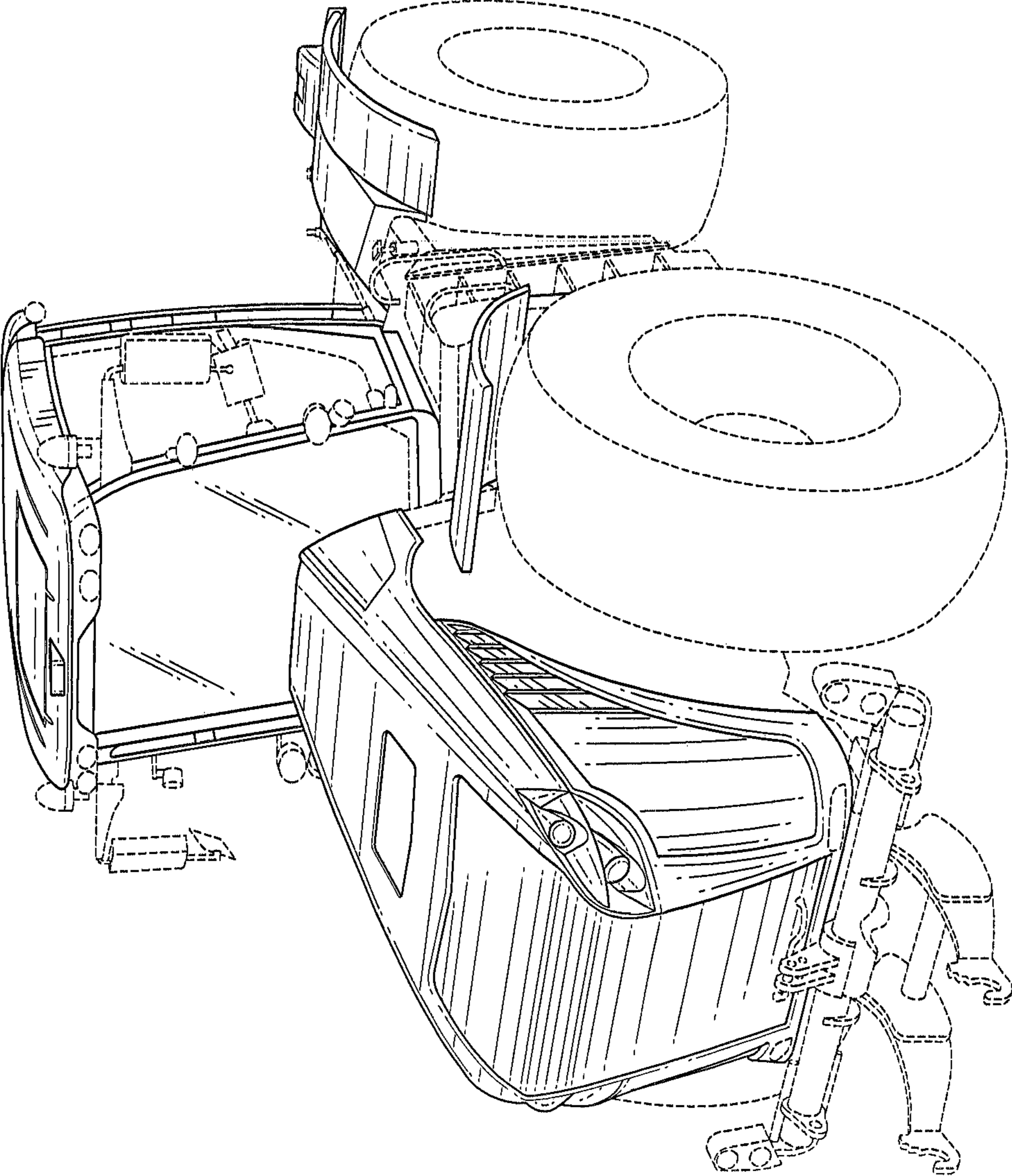


FIG. 1

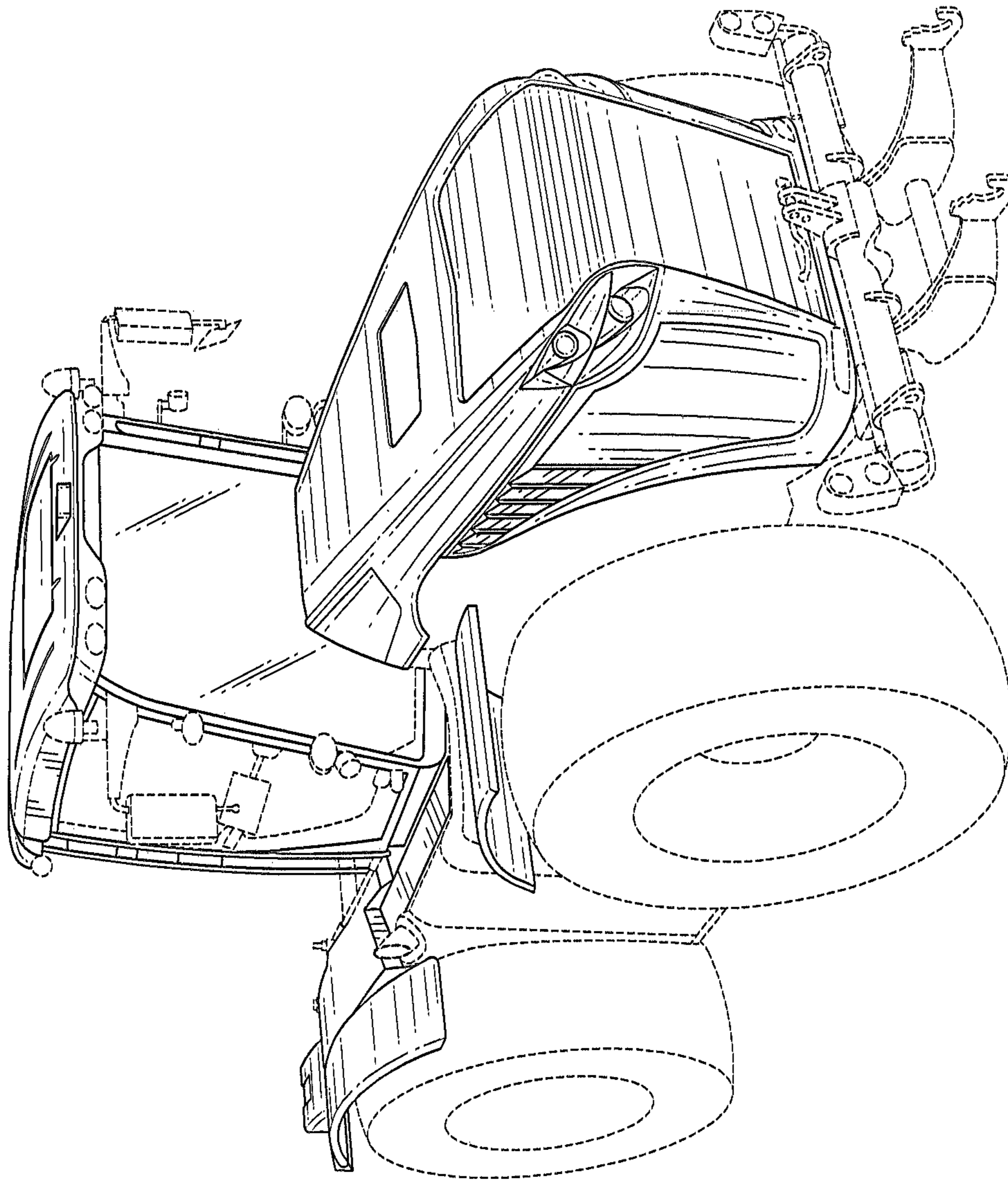


FIG. 2

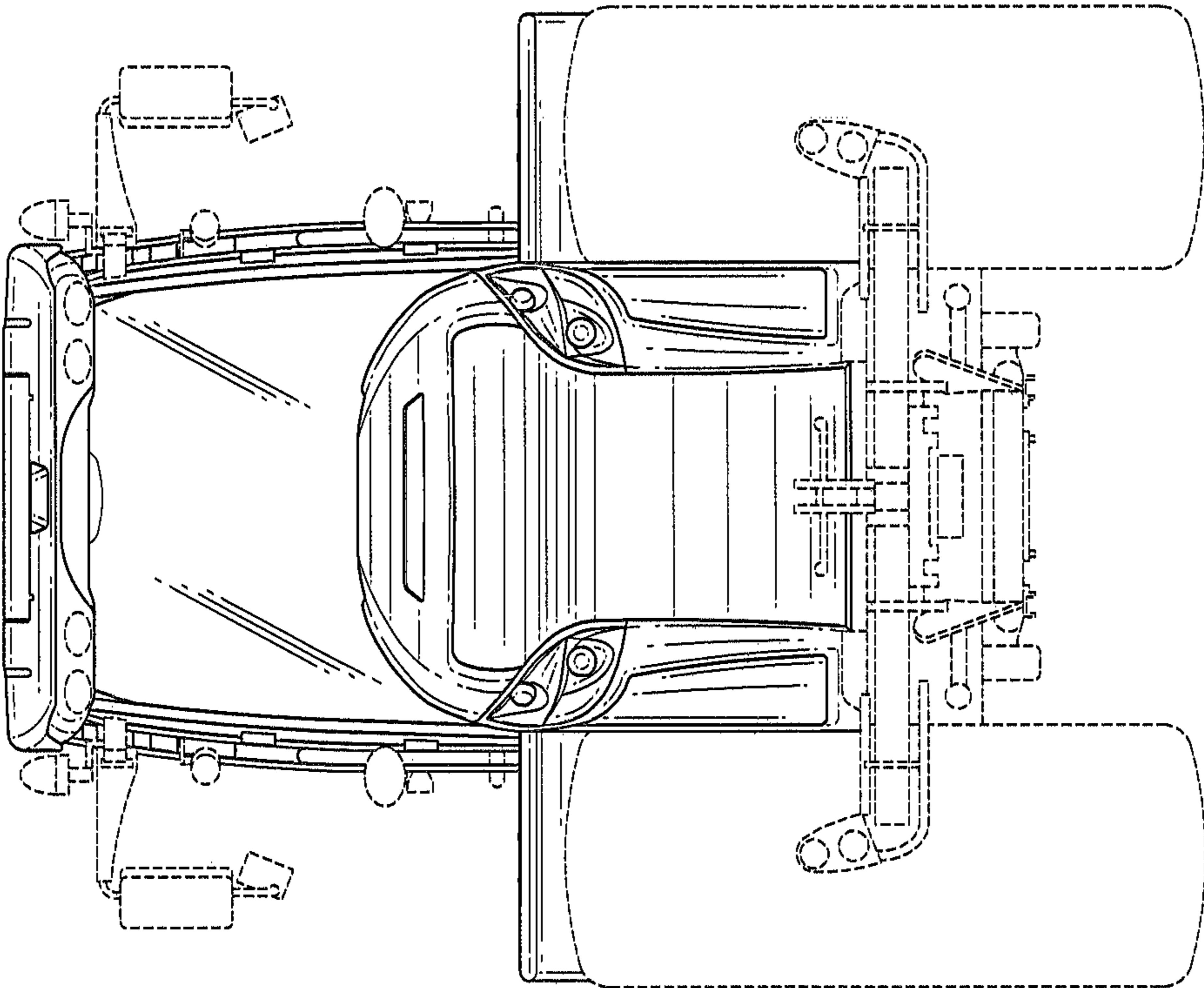


FIG.3

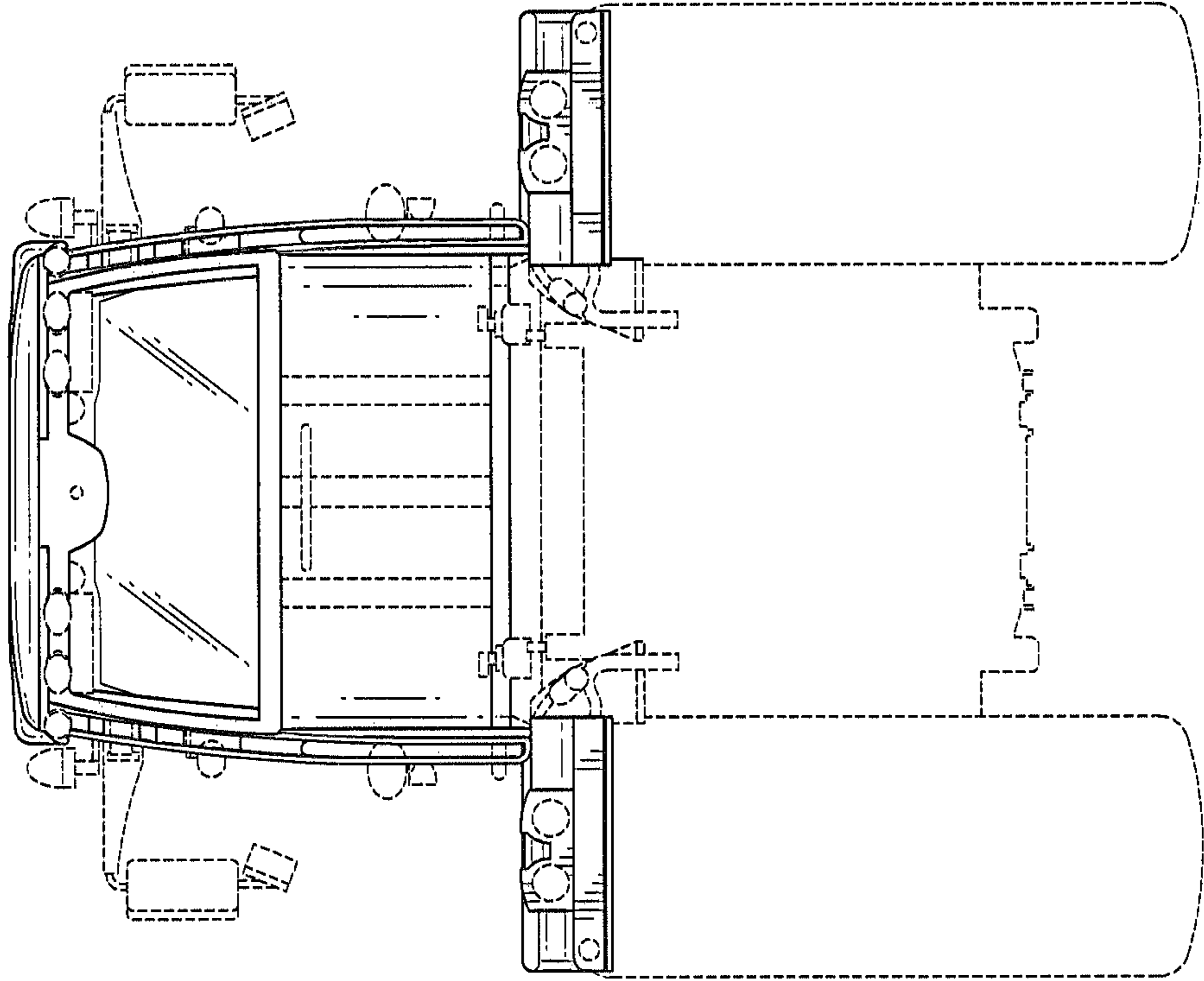


FIG.4

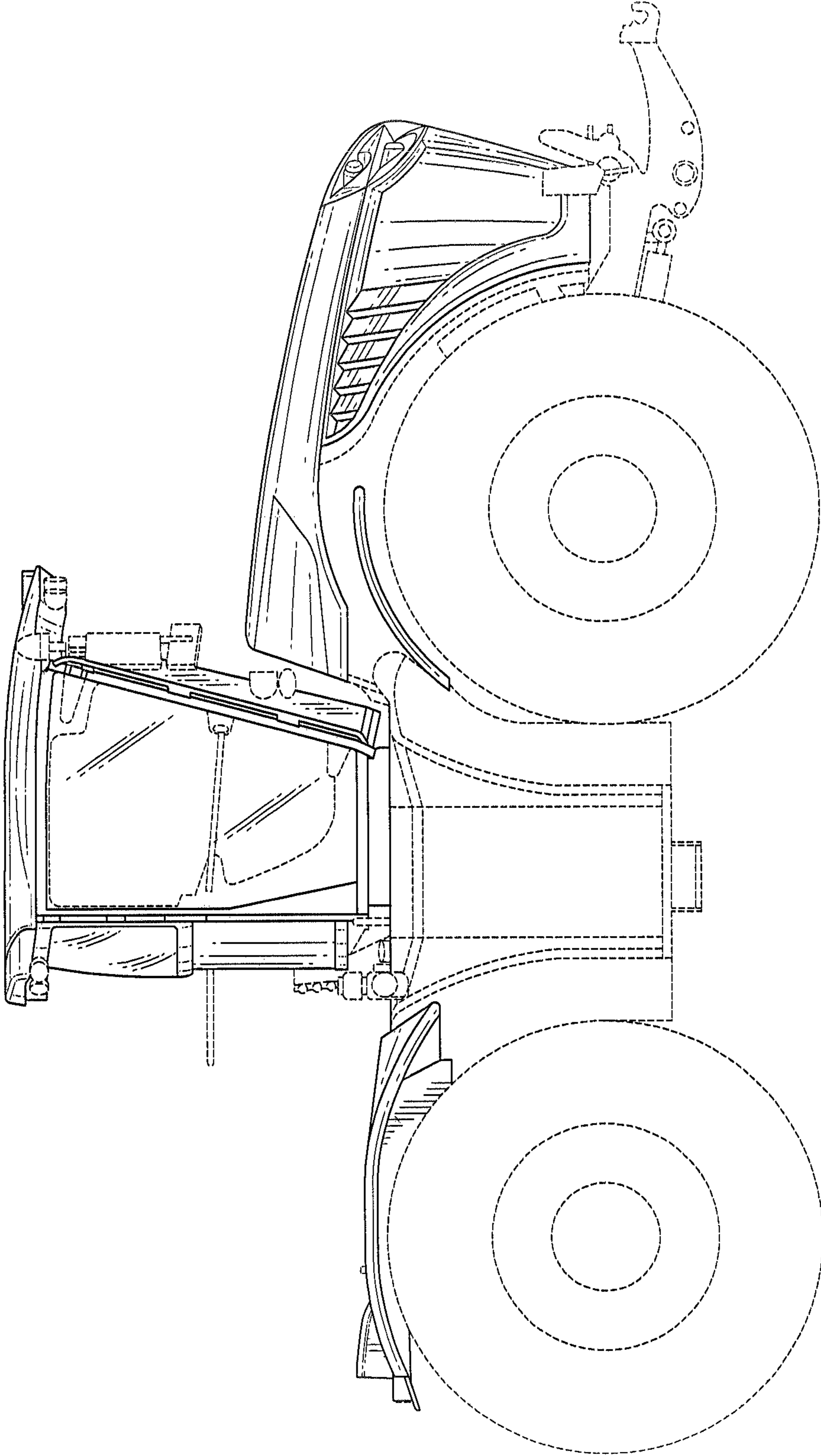


FIG.5

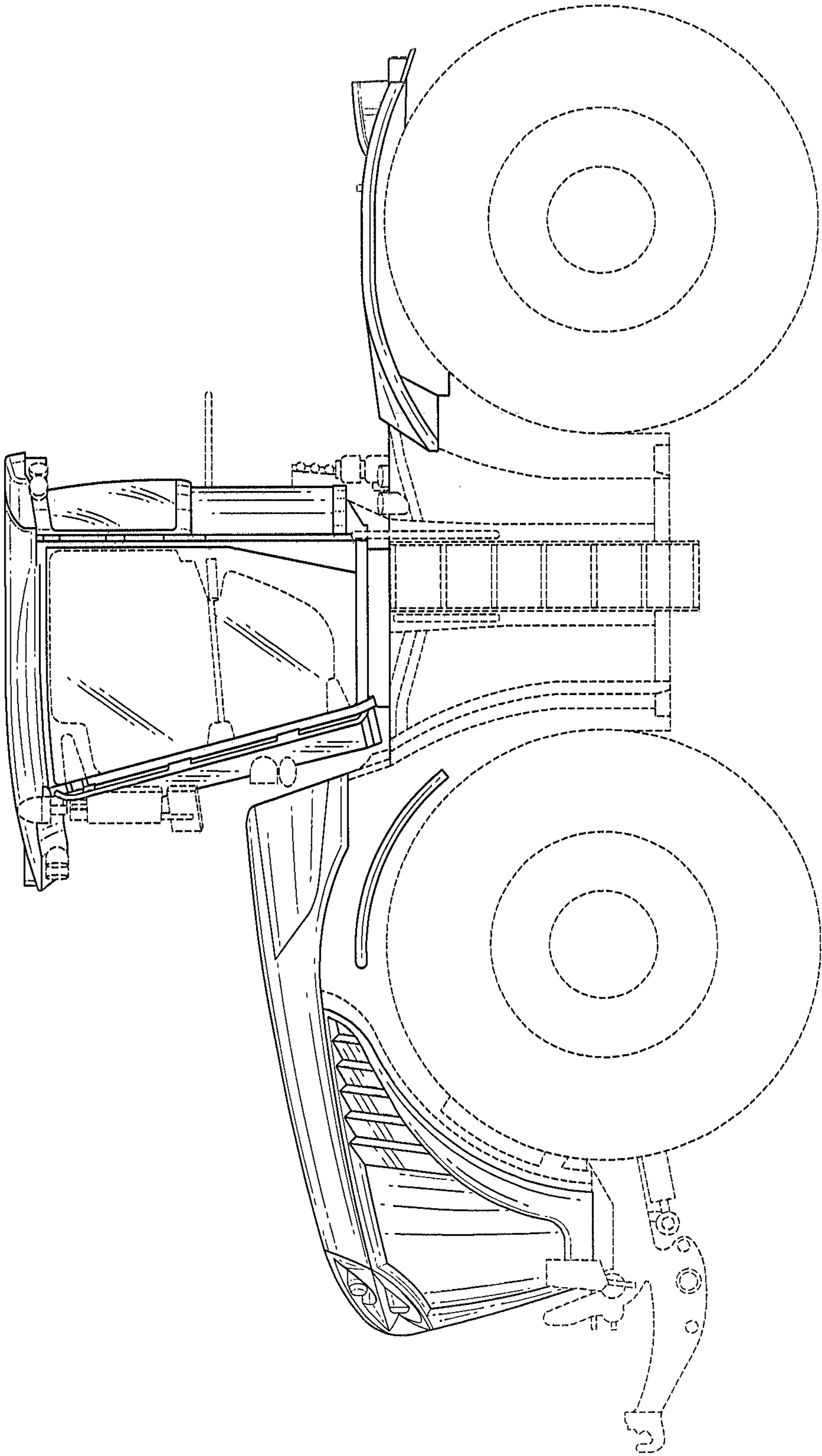


FIG.6

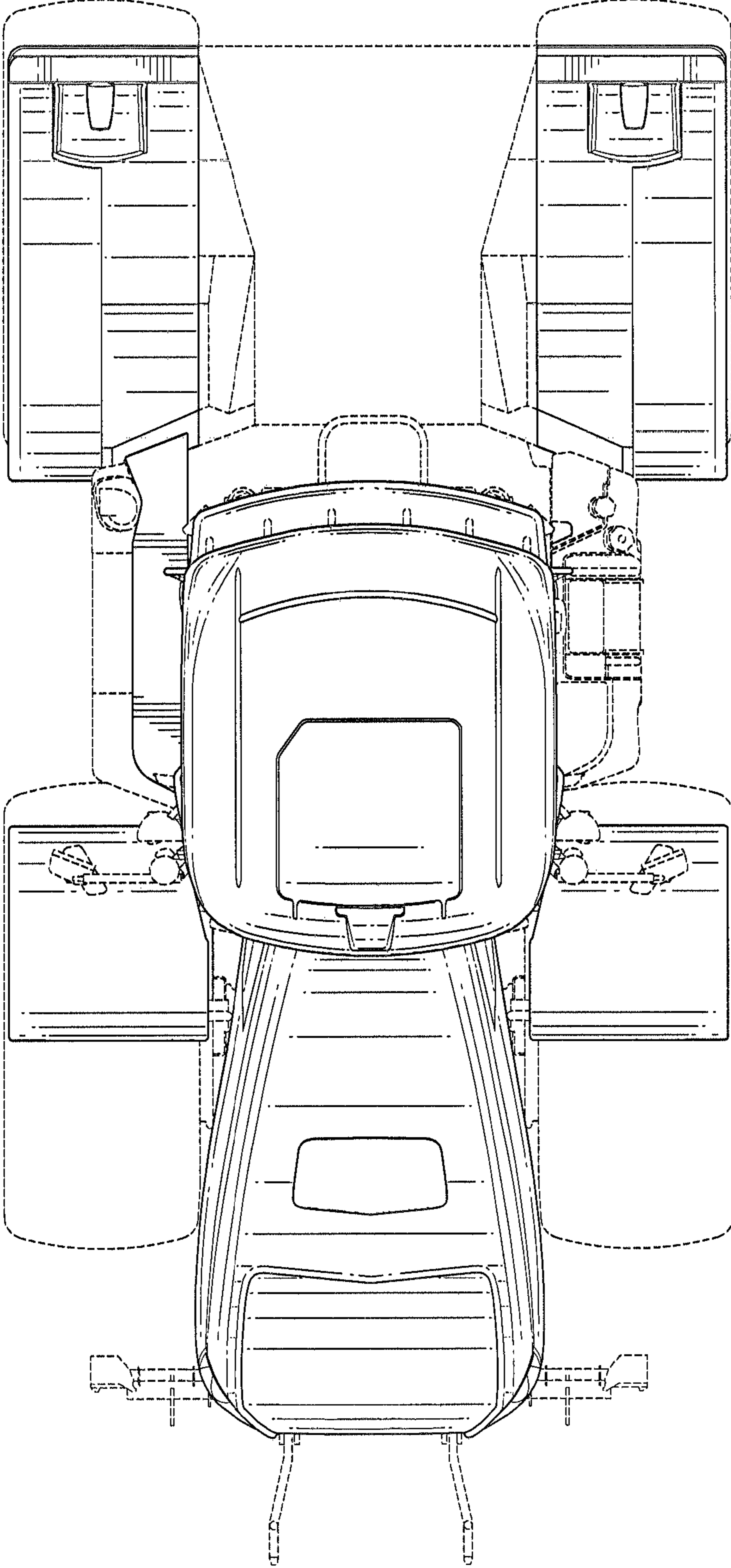


FIG. 7