

US00D697535S

(12) **United States Design Patent**
Walker

(10) **Patent No.:** **US D697,535 S**
(45) **Date of Patent:** **** Jan. 14, 2014**

(54) **CATCH PLATE FOR A CORN HEAD ASSEMBLY**

(71) Applicant: **CNH America LLC**, New Holland, PA (US)

(72) Inventor: **Eric L. Walker**, Leola, PA (US)

(73) Assignee: **CNH America LLC**, New Holland, PA (US)

(**) Term: **14 Years**

(21) Appl. No.: **29/447,008**

(22) Filed: **Feb. 28, 2013**

(51) **LOC (10) Cl.** **15-03**

(52) **U.S. Cl.**
USPC **D15/28**

(58) **Field of Classification Search**
USPC D15/10-12, 22-26, 28; 56/119, 14.1, 56/60, 62, 56; 460/16, 42
See application file for complete search history.

(56) **References Cited**

U.S. PATENT DOCUMENTS

D28,987 S *	7/1898	Dingee	D15/28
D30,581 S *	4/1899	Fahrney	D15/28
D33,103 S *	8/1900	Martien	D15/28
D33,104 S *	8/1900	Martien	D15/28
D33,196 S *	9/1900	Martien	D15/28
D33,197 S *	9/1900	Martien	D15/28
3,096,604 A	7/1963	Baker et al.	
3,110,314 A *	11/1963	Roberts et al.	460/42
3,241,299 A *	3/1966	Sutton	56/119
3,520,121 A *	7/1970	Ashton et al.	56/106
D219,530 S *	12/1970	Billings, Jr.	D15/28
3,759,021 A	9/1973	Schreiner et al.	
3,808,783 A	5/1974	Sutherland et al.	

4,621,968 A	11/1986	Hutchison	
4,630,430 A	12/1986	Weeks	
5,040,361 A	8/1991	Briesemeister	
5,195,309 A	3/1993	Mossman	
5,775,076 A *	7/1998	Mossman 56/119
D399,854 S *	10/1998	Pearson D15/28
5,865,019 A *	2/1999	Hurlburt et al. 56/119
5,878,561 A	3/1999	Gunn	
6,143,230 A *	11/2000	Andrios et al. 264/306
6,625,969 B2	9/2003	Glazik	
7,062,897 B2	6/2006	Rickert et al.	
7,073,316 B2	7/2006	Resing et al.	
7,373,767 B2	5/2008	Calmer	
7,377,091 B2	5/2008	Shelton et al.	
7,874,134 B1	1/2011	Hoffman	
7,913,480 B2	3/2011	Christensen et al.	
8,267,240 B2	9/2012	Brim et al.	

* cited by examiner

Primary Examiner — Mark Goodwin

(74) *Attorney, Agent, or Firm* — Patrick M. Sheldrake

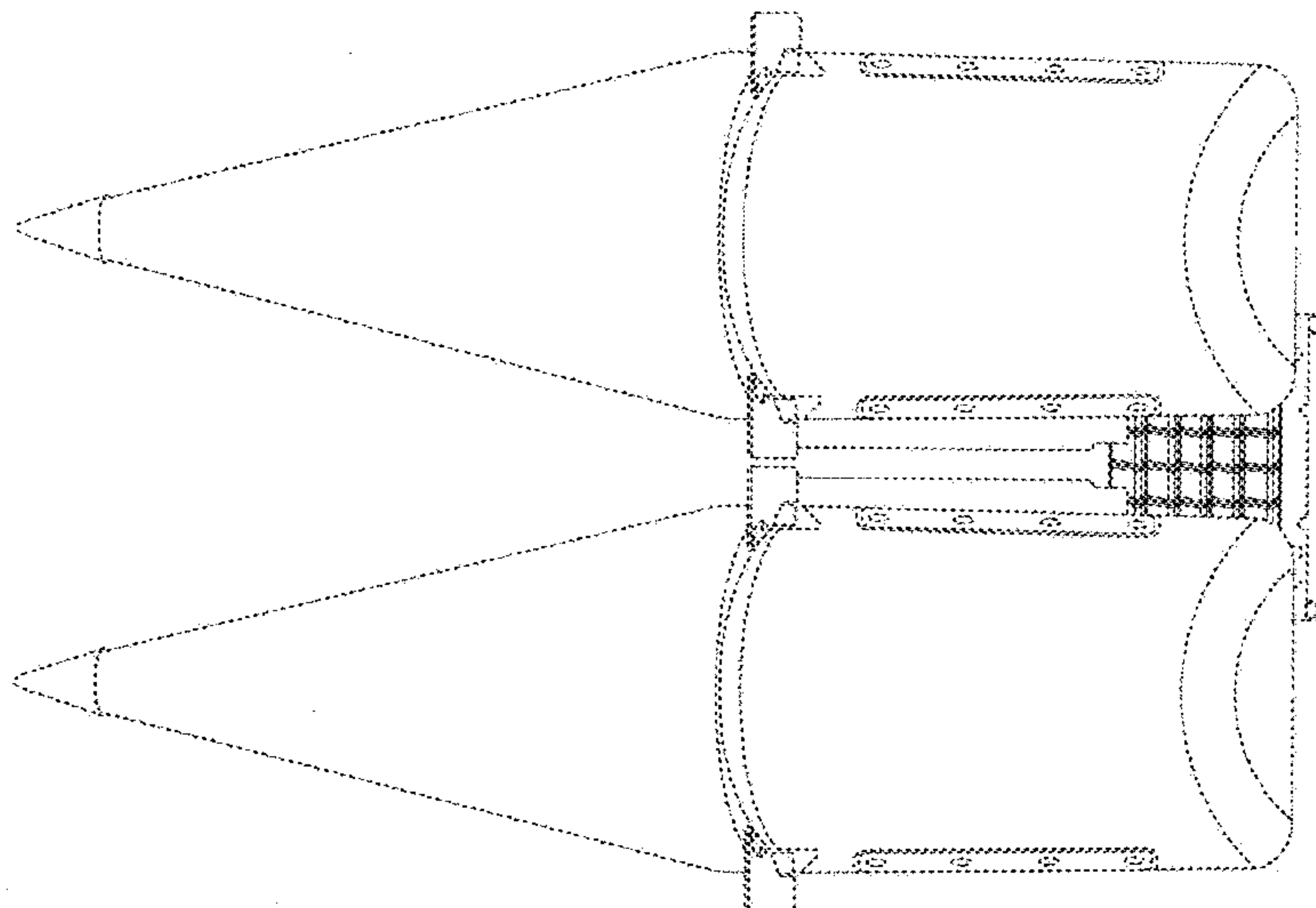
(57) **CLAIM**

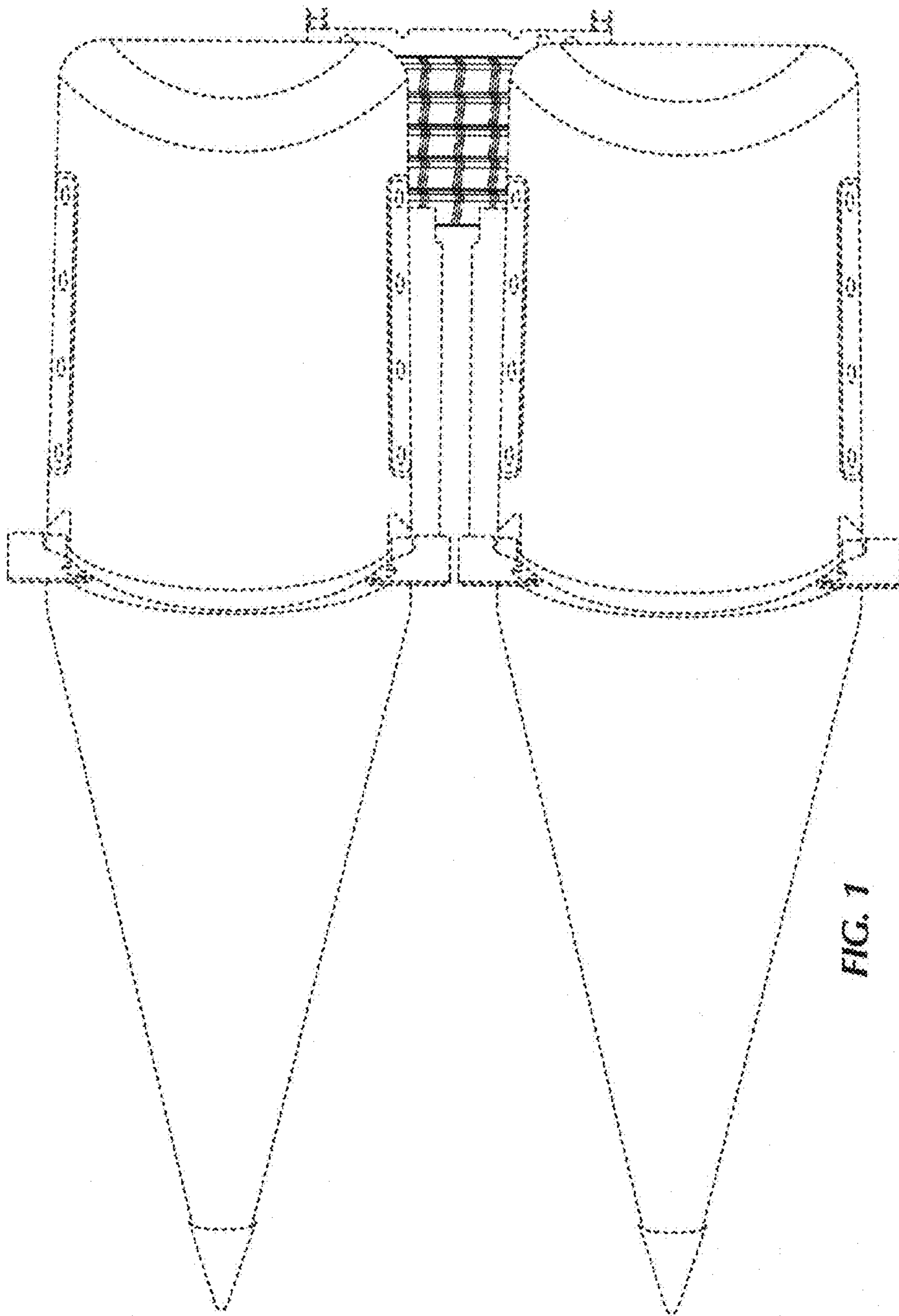
The ornamental design for a catch plate for a corn head assembly, as shown and described.

DESCRIPTION

FIG. 1 is a top plan view of a catch plate for a corn head assembly in accordance with the new design; FIG. 2 is an enlarged right side elevation view thereof, the left side elevation view being a mirror image thereof; FIG. 3 is a top plan view thereof; FIG. 4 is a front view thereof; and, FIG. 5 is a rear view thereof. The broken lines in FIGS. 1, 2, 4 and 5, illustrate portions of the catch plate and corn head assembly for purposes of illustrating environmental structure only and form no part of the claimed design.

1 Claim, 3 Drawing Sheets





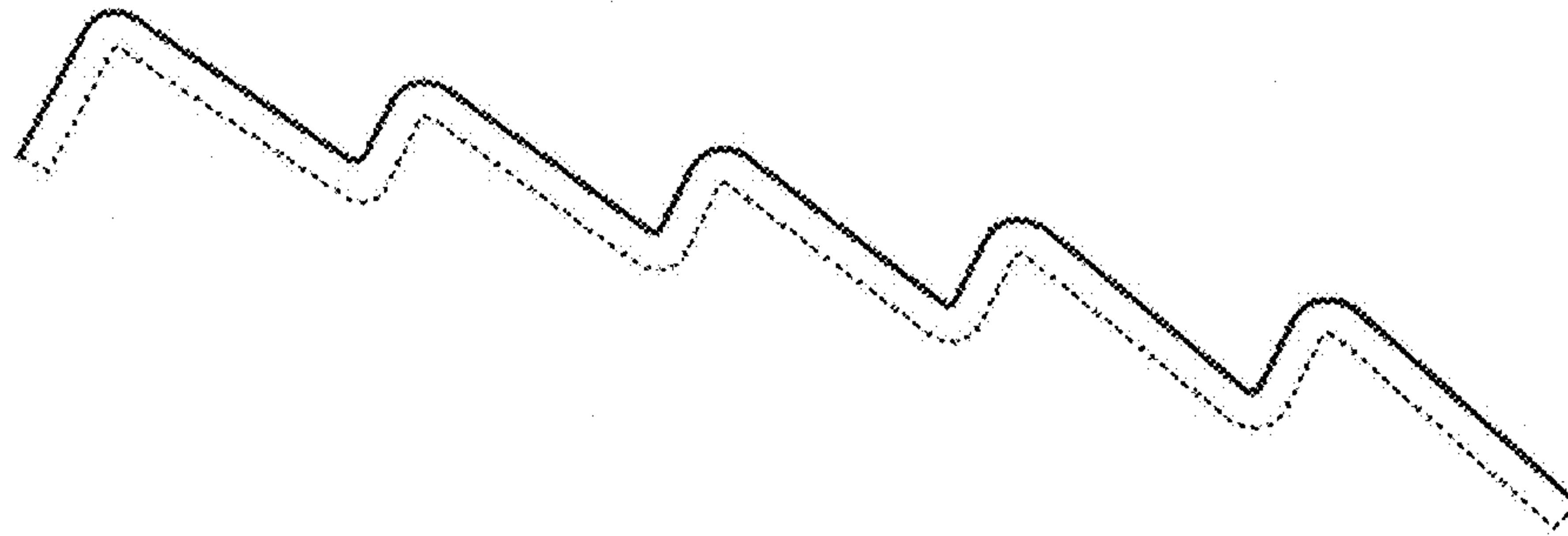


FIG. 2

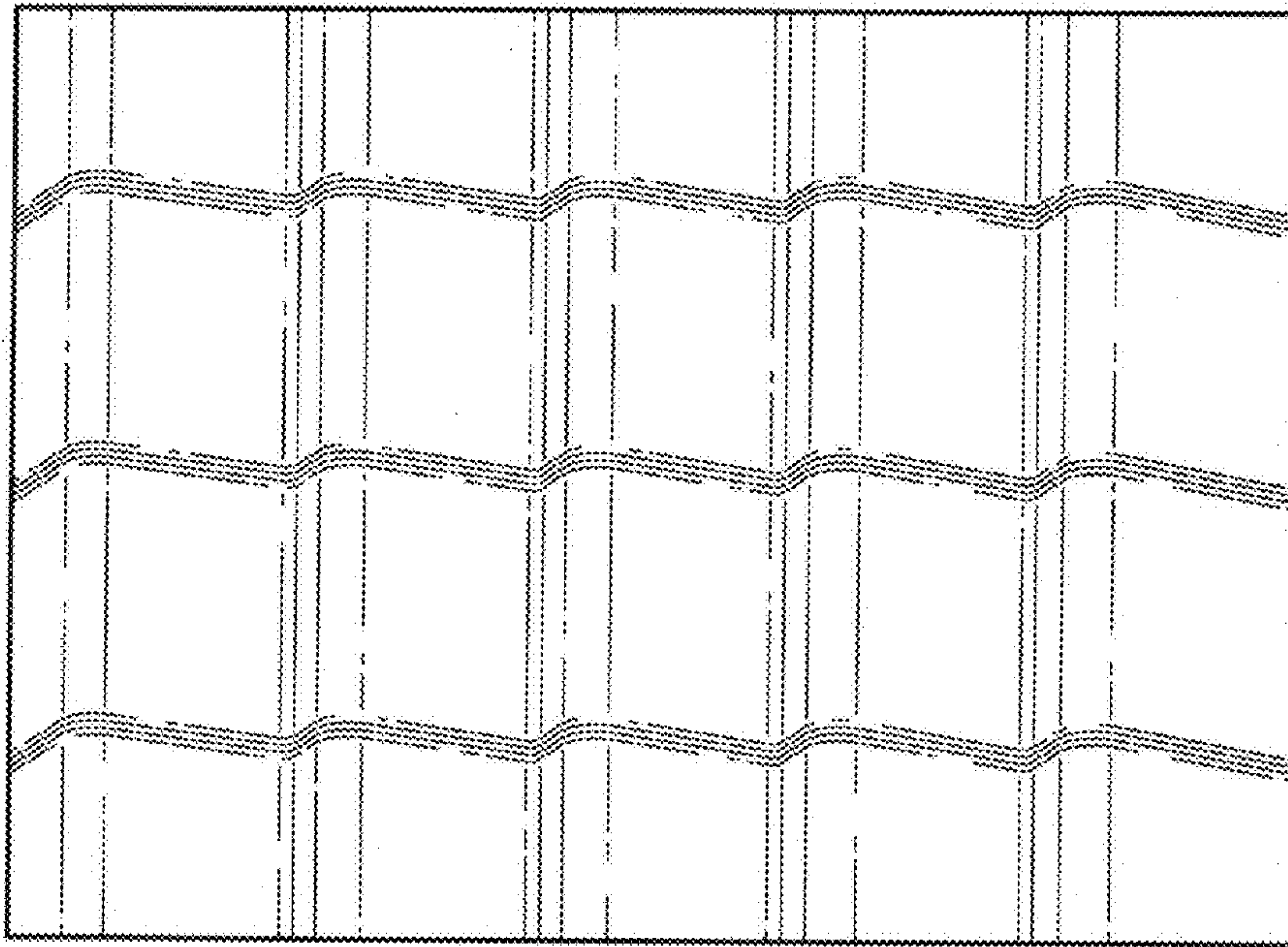


FIG. 3

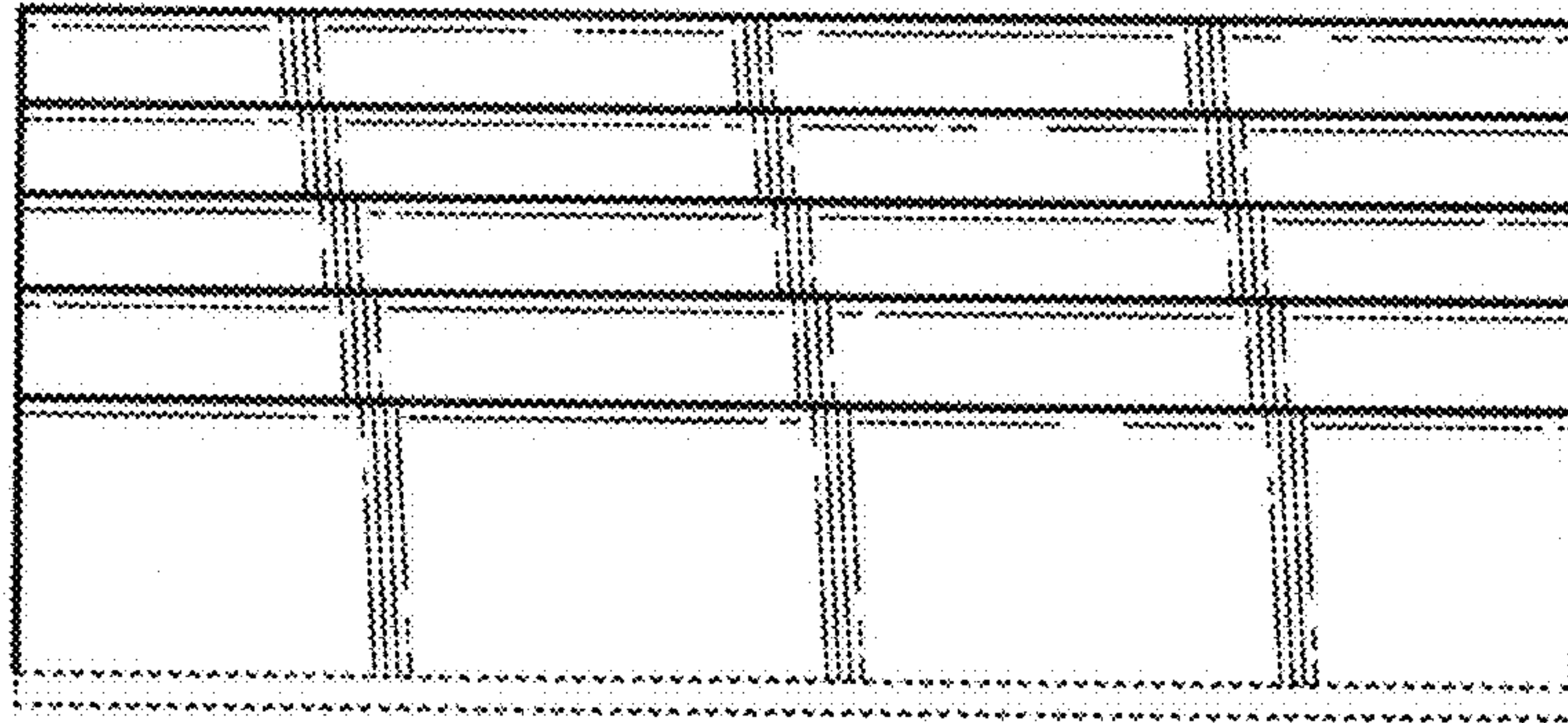


FIG. 4

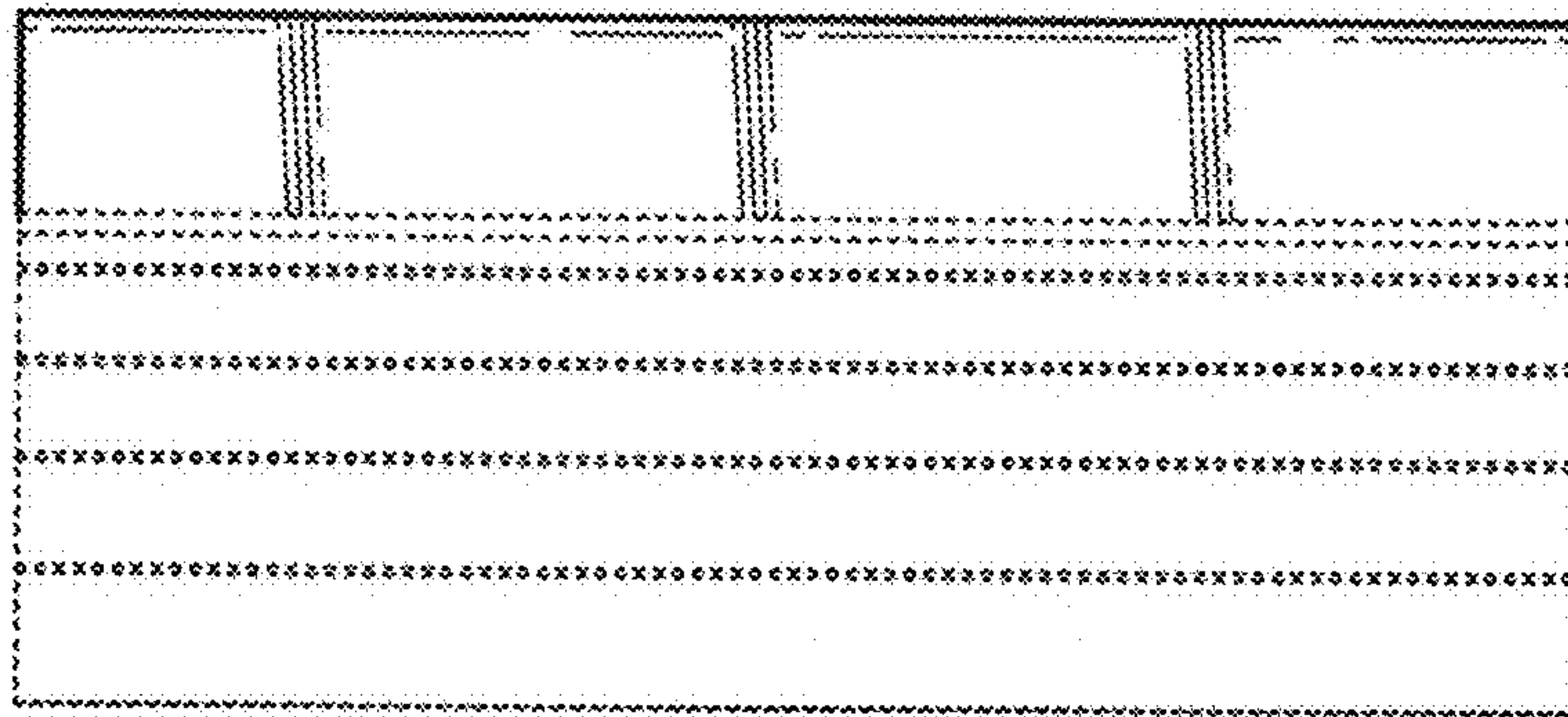


FIG. 5