



US00D697534S

(12) **United States Design Patent**
Uchida et al.

(10) **Patent No.:** **US D697,534 S**
(45) **Date of Patent:** **** Jan. 14, 2014**

(54) **OPERATION PANEL OF A WORKING MACHINE**

(71) Applicant: **Yanmar Co., Ltd.**, Osaki (JP)

(72) Inventors: **Zenzo Uchida**, Chikugo (JP);
Masamitsu Uemura, Chikugo (JP)

(73) Assignee: **Yanmar Co., Ltd.**, Osaka (JP)

(**) Term: **14 Years**

(21) Appl. No.: **29/433,163**

(22) Filed: **Sep. 26, 2012**

(30) **Foreign Application Priority Data**

Mar. 27, 2012 (JP) 2012-007000

(51) **LOC (10) Cl.** **15-03**

(52) **U.S. Cl.**
USPC **D15/28; D15/17**

(58) **Field of Classification Search**
USPC D15/17, 22-26, 28, 31, 33; D12/192,
D12/419, 421; 180/69.2, 69.21, 69.24, 90;
296/70, 30, 72, 191, 192, 193.03
See application file for complete search history.

(56) **References Cited**

U.S. PATENT DOCUMENTS

D308,131 S * 5/1990 Marcantonio D12/419
D313,962 S * 1/1991 Haag et al. D12/423

D432,076 S * 10/2000 Stickles et al. D12/419
D441,769 S * 5/2001 Surridge D15/17
D521,413 S * 5/2006 Katoh D12/1
D593,134 S * 5/2009 Kuwae et al. D15/28
D636,410 S * 4/2011 Ono et al. D15/28
D636,794 S * 4/2011 Ono et al. D15/28
D640,293 S * 6/2011 Ono et al. D15/28
D685,006 S * 6/2013 Hagura et al. D15/28

* cited by examiner

Primary Examiner — Mark Goodwin

(74) *Attorney, Agent, or Firm* — Sterne, Kessler, Goldstein & Fox P.L.L.C.

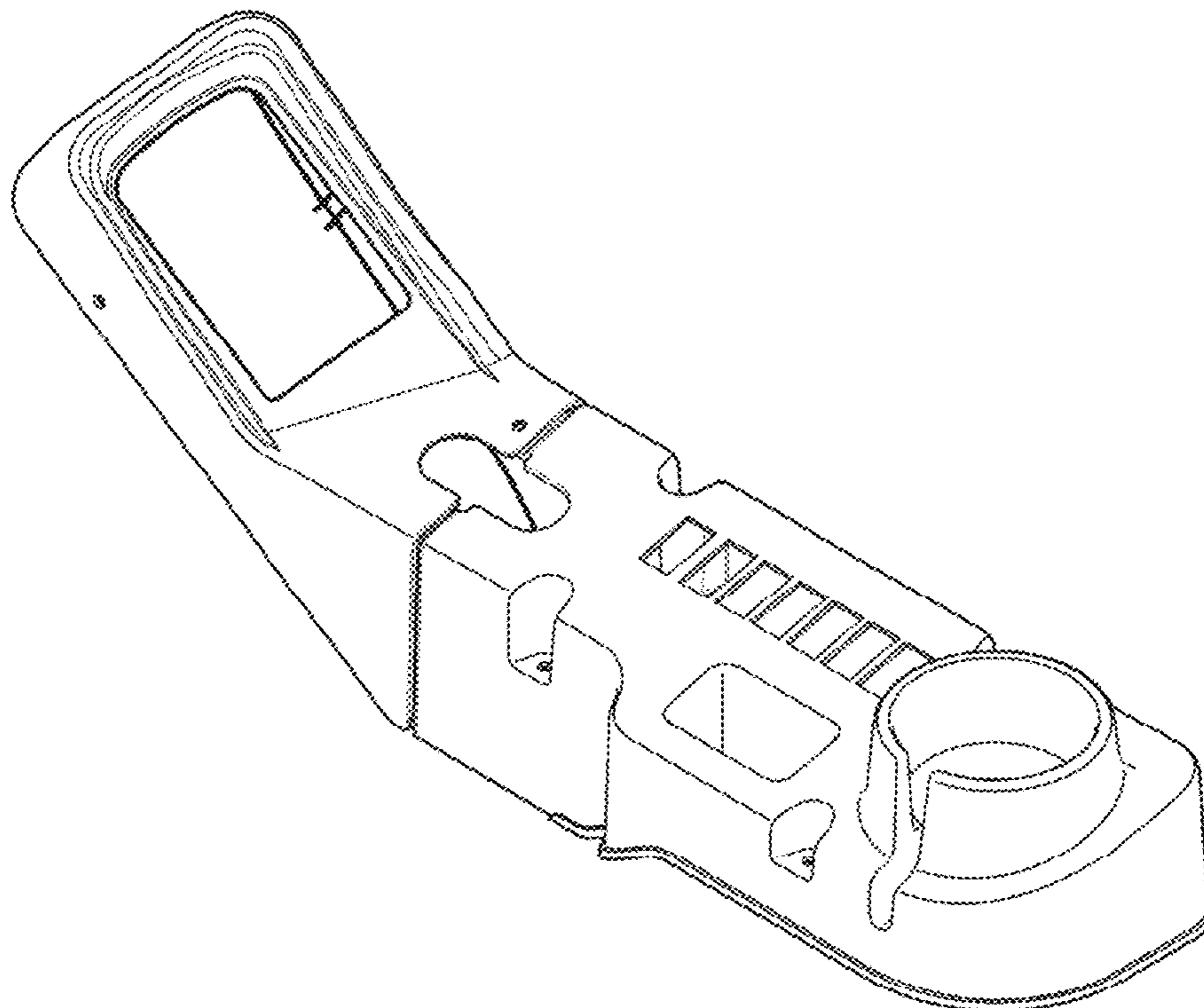
(57) **CLAIM**

The ornamental design for an operation panel of a working machine, as shown and described.

DESCRIPTION

FIG. 1 is a top front perspective view of an operation panel of a working machine showing our new design;
FIG. 2 is a front view thereof;
FIG. 3 is a rear view thereof;
FIG. 4 is a top plan view thereof;
FIG. 5 is a bottom plan view thereof;
FIG. 6 is a left side view thereof;
FIG. 7 is a right side view thereof; and,
FIG. 8 is a reference view showing the operation panel of the present invention in an environment in which it may be used. The broken line showing of a working machine in FIG. 8 is included for the purpose of illustrating environmental structure only and forms no part of the claimed design.

1 Claim, 8 Drawing Sheets



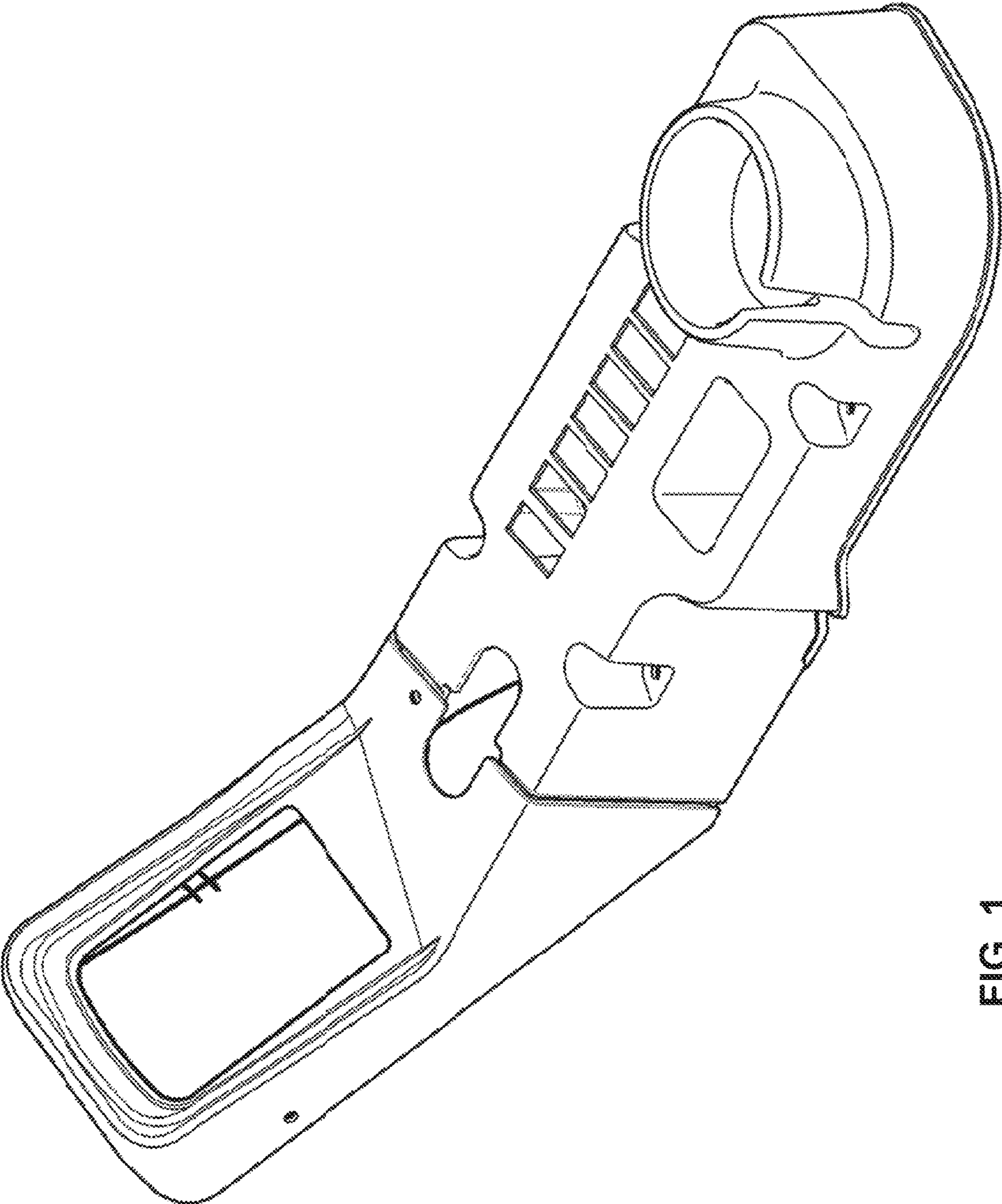


FIG. 1

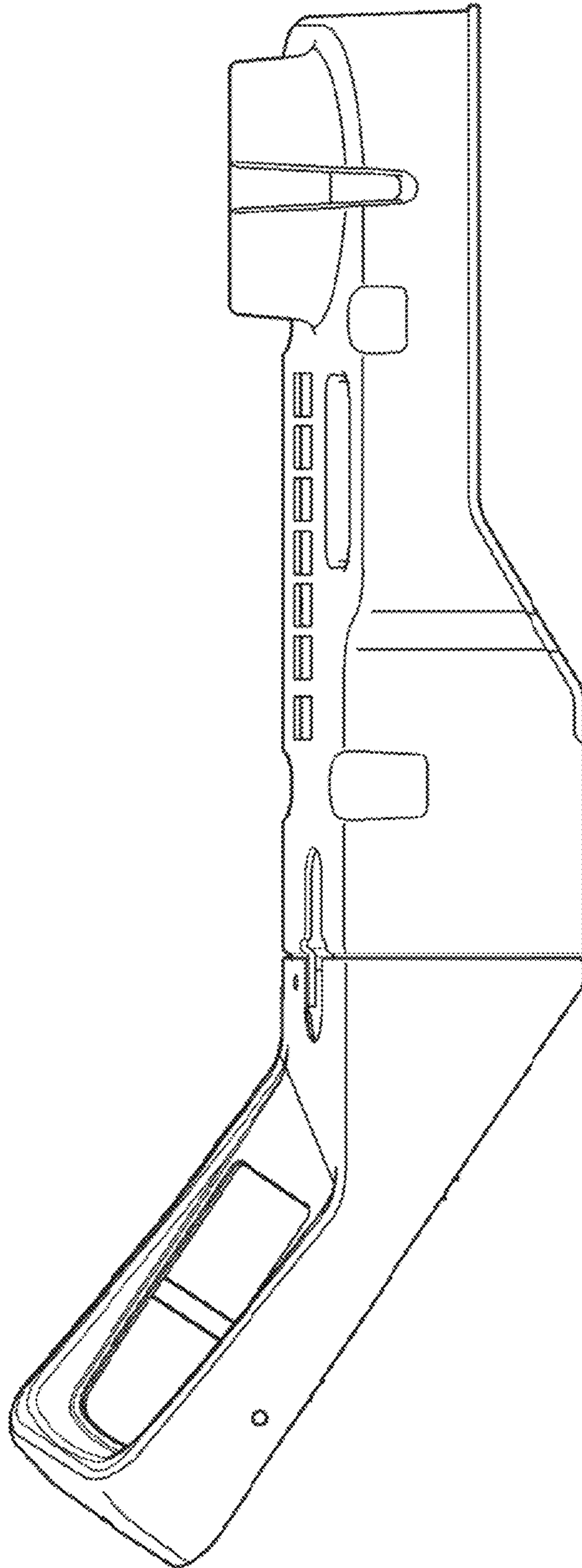


FIG. 2

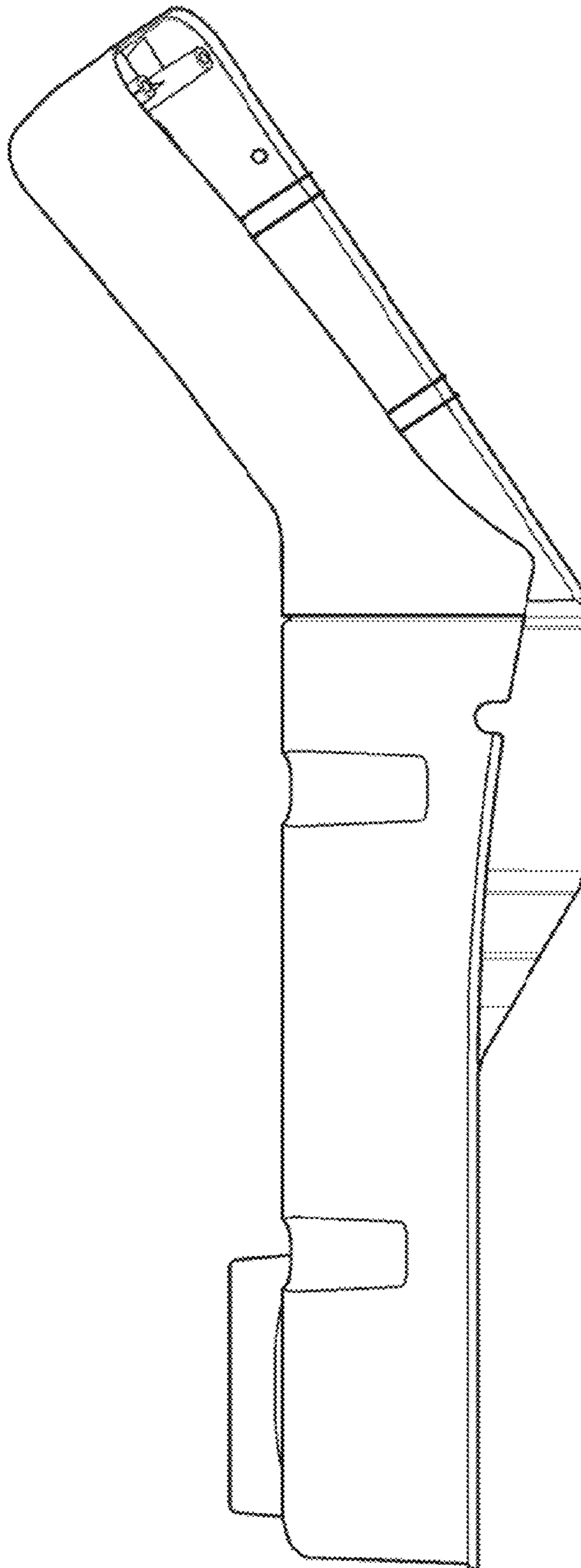


FIG. 3

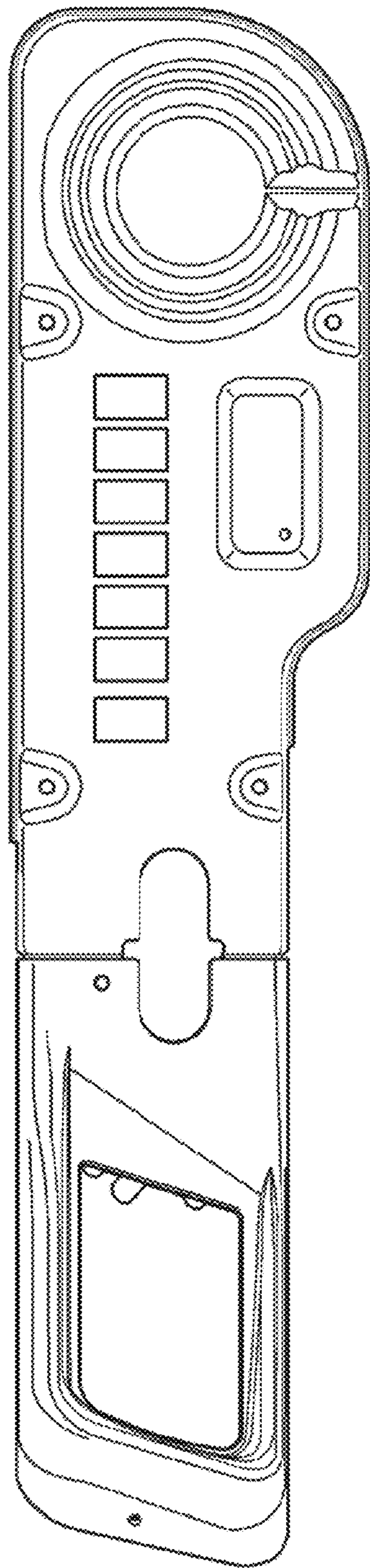


FIG. 4

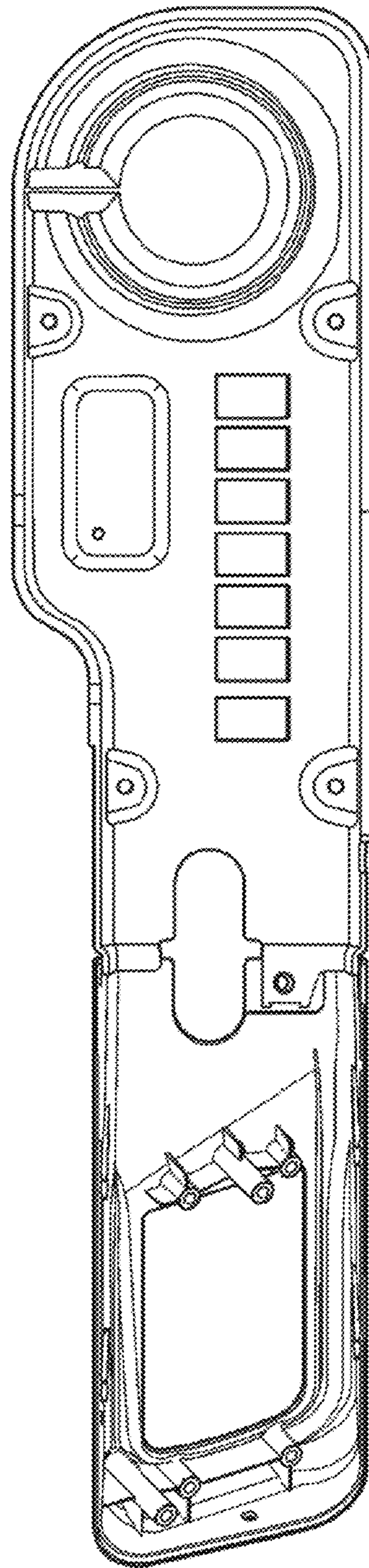


FIG. 5

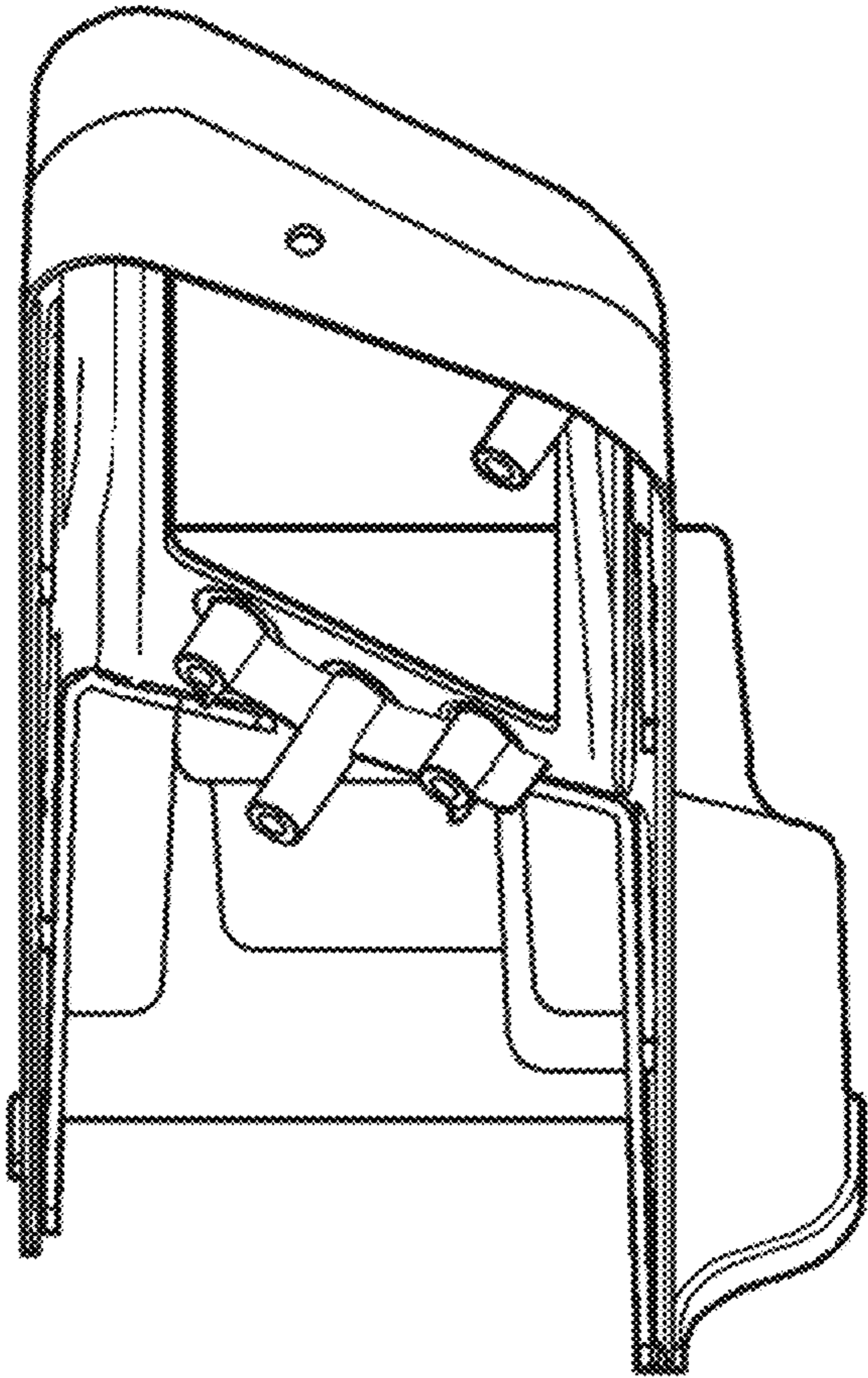


FIG. 6

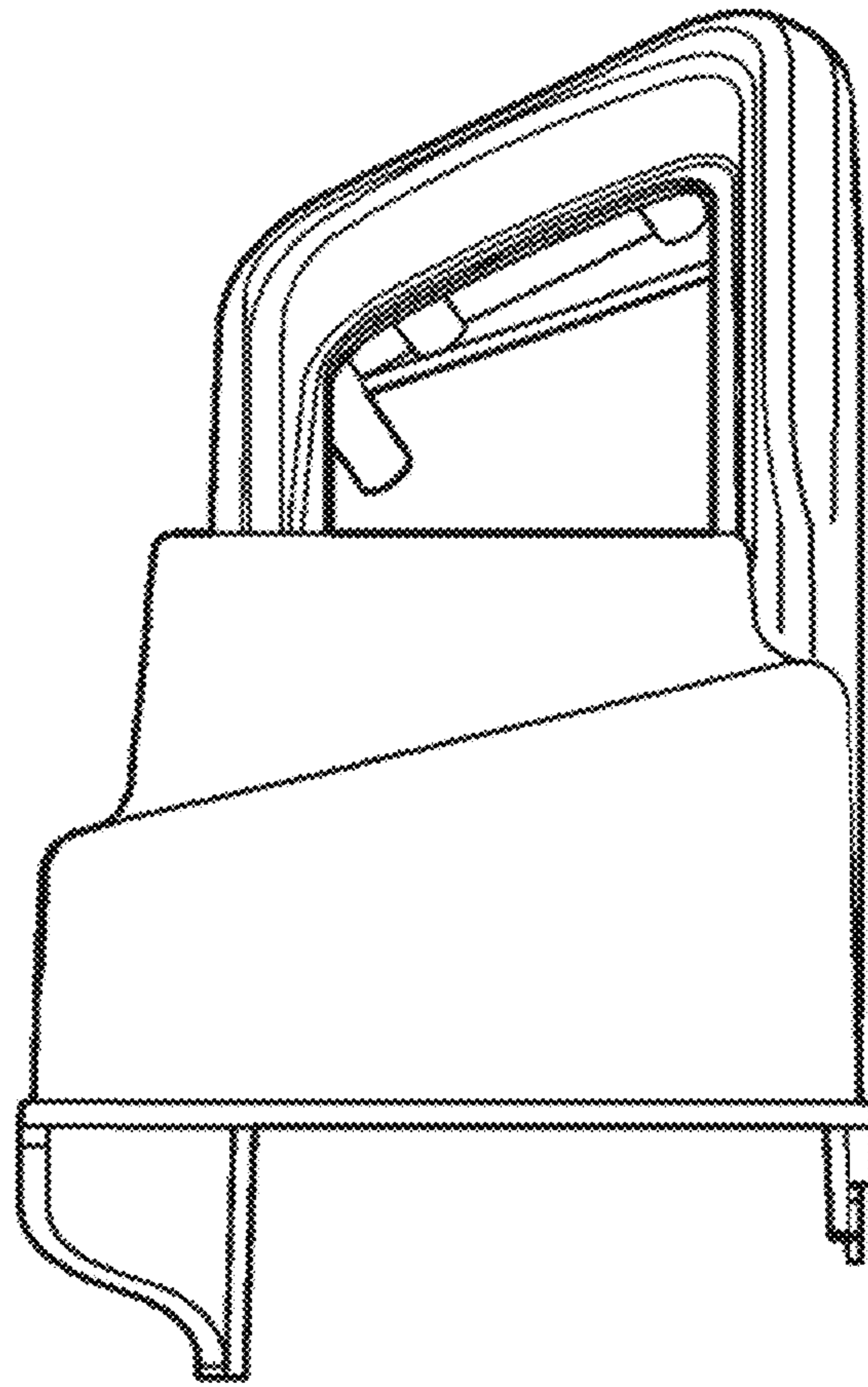


FIG. 7

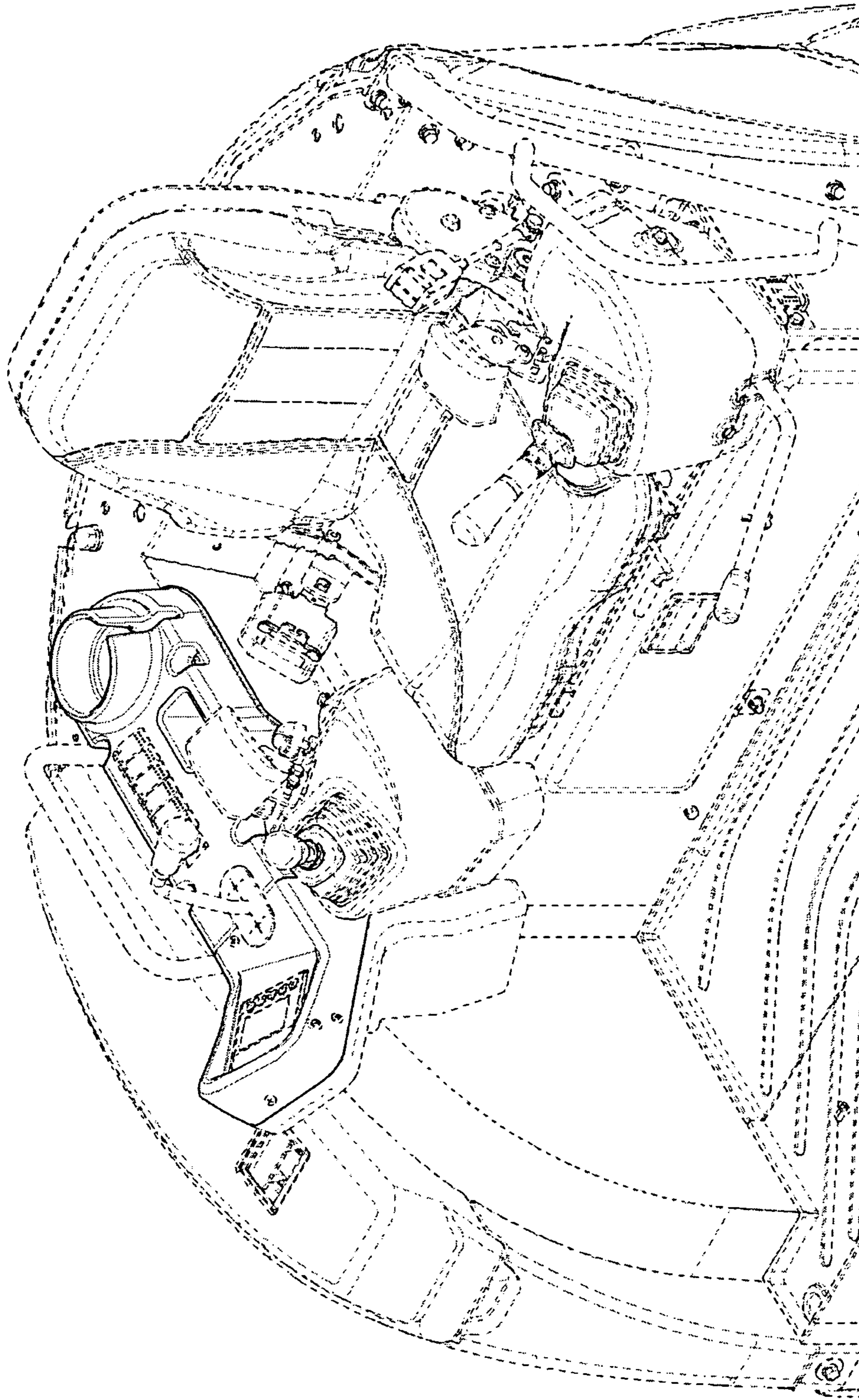


FIG. 8