

US00D697530S

(12) **United States Design Patent**
North

(10) **Patent No.:** **US D697,530 S**
(45) **Date of Patent:** **** Jan. 14, 2014**

(54) **PRINTED MATERIAL AND COMPUTER DISPLAY OR ELECTRONIC SCREEN WITH ICON**

(75) Inventor: **David North**, New York, NY (US)

(73) Assignee: **Ex-Cell Home Fashions, Inc.**, New York, NY (US)

(**) Term: **14 Years**

(21) Appl. No.: **29/394,048**

(22) Filed: **Jun. 13, 2011**

(51) **LOC (10) Cl.** **14-04**

(52) **U.S. Cl.**
USPC **D14/489**

(58) **Field of Classification Search**
USPC D14/485–495; 715/710, 706, 772, 716;
D9/434

See application file for complete search history.

(56) **References Cited**

U.S. PATENT DOCUMENTS

D127,348	S	*	5/1941	Gayda	D20/23
D153,568	S	*	4/1949	Wagner	D20/11
6,246,411	B1	*	6/2001	Strauss	715/863
D496,667	S	*	9/2004	Hoglund	D14/489
D600,713	S	*	9/2009	LaManna et al.	D14/492
D601,578	S	*	10/2009	Poulet et al.	D14/488
D623,194	S	*	9/2010	Cook et al.	D14/488
D623,695	S	*	9/2010	Tesnar et al.	D20/23
D624,407	S	*	9/2010	Straker	D9/434
D638,842	S	*	5/2011	Woods et al.	D14/486
D645,875	S	*	9/2011	Cavanaugh et al.	D14/488
D652,049	S	*	1/2012	Chou et al.	D14/485
D680,129	S	*	4/2013	Seo et al.	D14/486
D681,661	S	*	5/2013	Koehn et al.	D14/488
D682,313	S	*	5/2013	Voreis et al.	D14/492
D682,877	S	*	5/2013	Hartley et al.	D14/488
D684,583	S	*	6/2013	Brinda et al.	D14/485

OTHER PUBLICATIONS

word_shower.jpg, [online] [retrieved May 18, 2011]. Retrieved from the Internet: <URL: http://a.dryicons.com/files/graphics_previews/word_shower.jpg>. 1 page.

(Continued)

Primary Examiner — Kevin Rudzinski

(74) *Attorney, Agent, or Firm* — Alston & Bird LLP

(57) **CLAIM**

The ornamental design for a printed material and computer display or electronic screen with icon, as shown and described.

DESCRIPTION

FIG. 1 is a plan view of an icon according to an embodiment of my new design, as shown in the environment of a computer display or electronic screen;

FIG. 2 is a plan view of a printed material according to another embodiment of my new design;

FIG. 3 is a plan view of an icon according to yet another embodiment of my new design, as shown in the environment of a computer display or electronic screen;

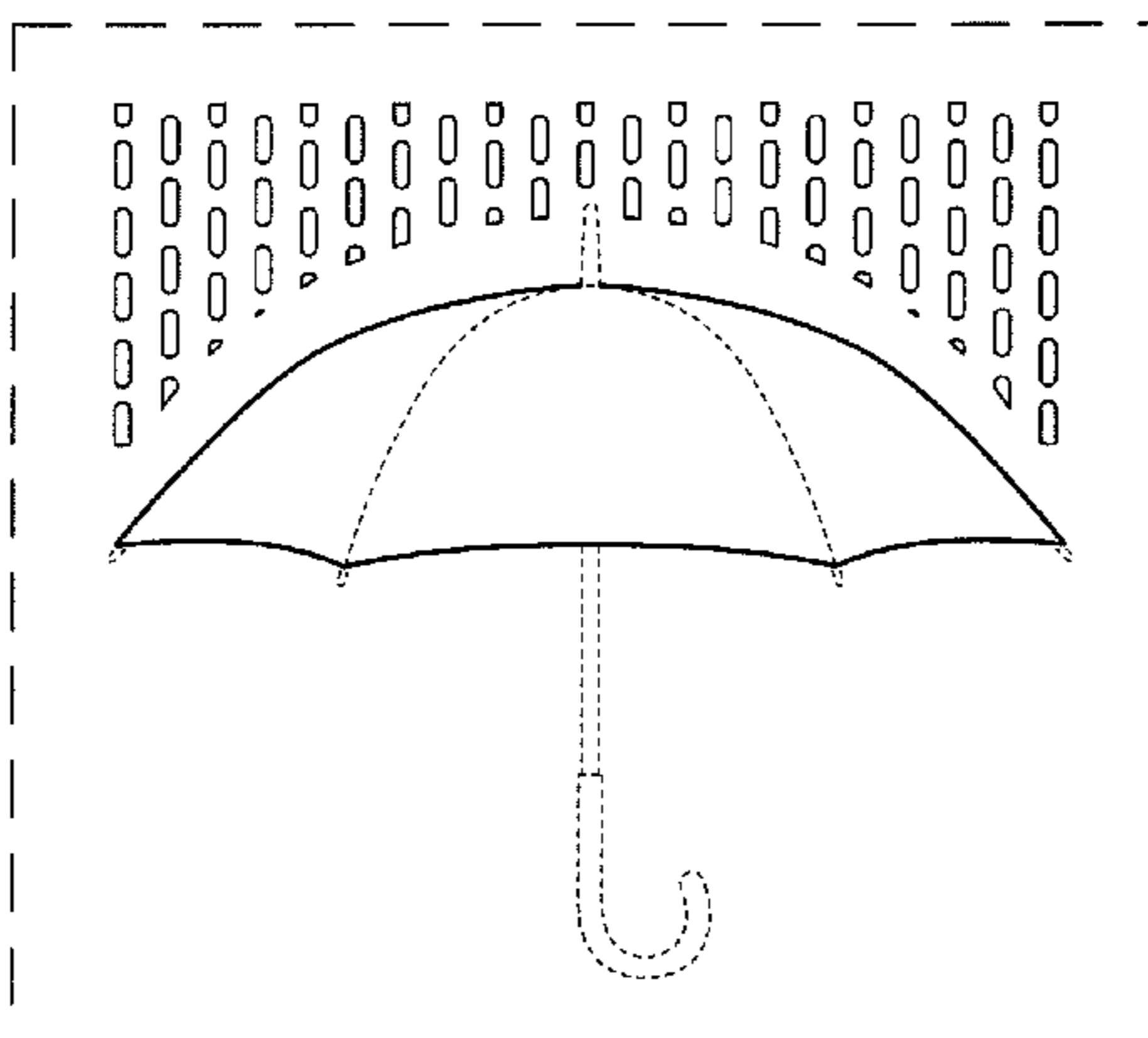
FIG. 4 is a plan view of a printed material according to yet another embodiment of my new design;

FIG. 5 is a plan view of an icon according to yet another embodiment of my new design, as shown in the environment of a computer display or electronic screen; and,

FIG. 6 is a plan view of a printed material according to yet another embodiment of my new design.

The outer perimeter broken lines of FIGS. 1, 3, and 5 each shows a portion of a computer display or electronic screen and is included for the purpose of illustrating environment. The outer perimeter broken lines of FIGS. 2, 4, and 6 each shows a portion of a printed material and is included for the purpose of illustrating environment. The inner perimeter broken lines immediately adjacent shaded areas in FIGS. 2, 4, and 6 represent bounds of the claimed design. All other broken lines are directed to environment and are for illustrative purposes only. The broken lines form no part of the claimed design.

1 Claim, 6 Drawing Sheets



(56)

References Cited

OTHER PUBLICATIONS

playing_with_the_rain.jpg, [online] [retrieved May 18, 2011]. Retrieved from the Internet: <URL: http://b.dryicons.com/files/graphics_previews/playing_with_the_rain.jpg>. 1 page.

showers_umbrella.png, [online] [retrieved May 18, 2011]. Retrieved from the Internet: <URL: http://www.clipartpal.com/_thumbs/pd/weather/showers_umbrella.png>. 1 page.

r_181.jpg, [online] [retrieved May 18, 2011]. Retrieved from the Internet: <URL: http://www.clipartreview.com/_gallery/_TN/r_181.jpg>. 1 page.

Black_and_White_Umbrella_Royalty_Free_Clipart_Picture_090804-235633-306009.jpg, [online] [retrieved May 18, 2011].

Retrieved from the Internet: <URL: http://www.picturesof.net/_images/Black_and_White_Umbrella_Royalty_Free_Clipart_Picture_090804-235633-306009.jpg>. 1 page.

umbrlla-rain.png, [online] [retrieved May 18, 2011]. Retrieved from the Internet: <URL: <http://www.cksinfo.com/clipart/nature/weather/umbrellas/umbrlla-rain.png>>. 1 page.

umbrella.jpg, [online] [retrieved May 18, 2011]. Retrieved from the Internet: <URL: <http://inhisrest.com/wp-content/uploads/2011/04/umbrella.jpg>>. 1 page.

umbrella_purple_rain.jpg, [online] [retrieved May 18, 2011]. Retrieved from the Internet: <URL: http://myctrring.com/wp-content/uploads/2008/12/umbrella_purple_rain.jpg>. 1 page.

* cited by examiner

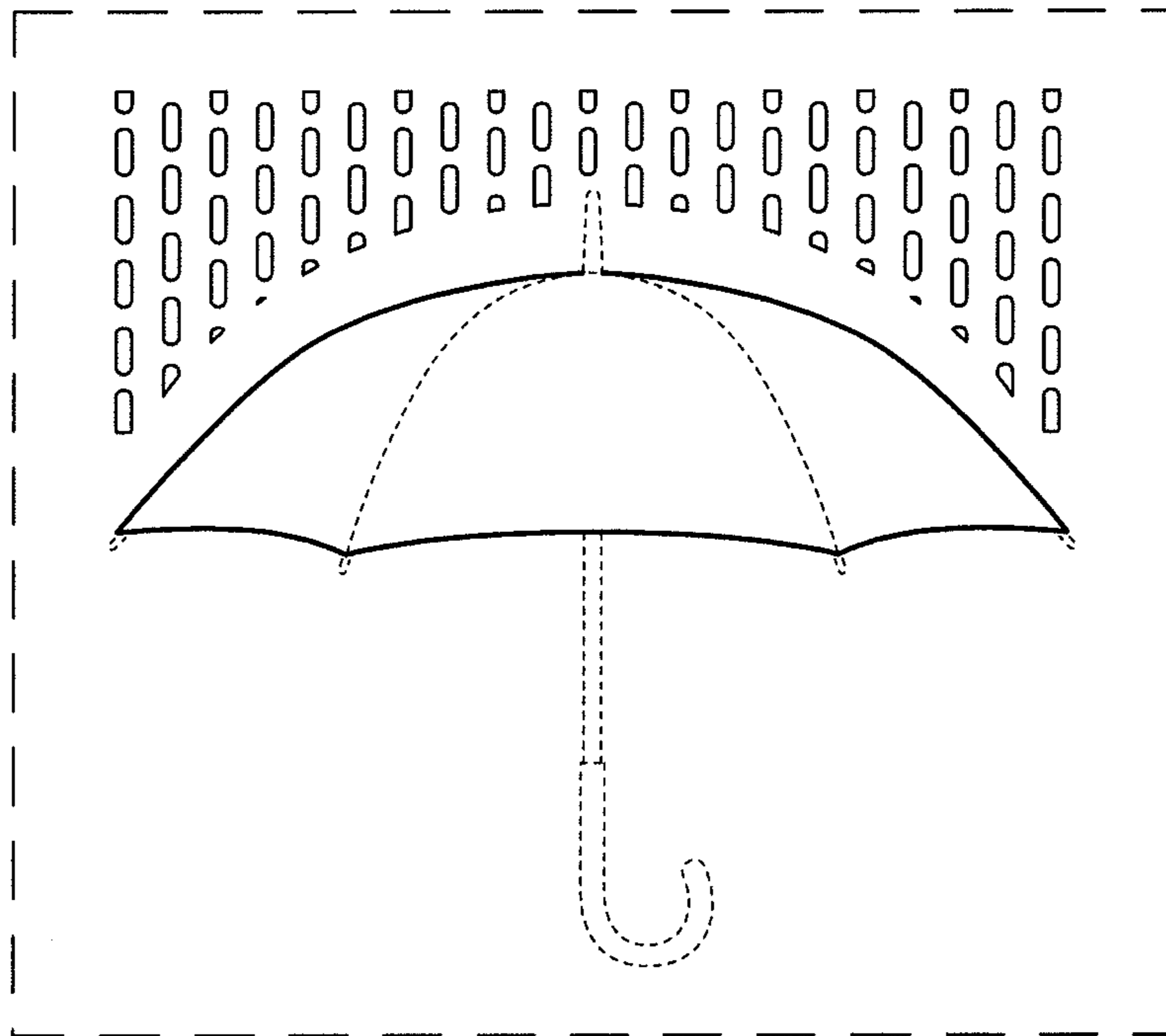


FIG. 1

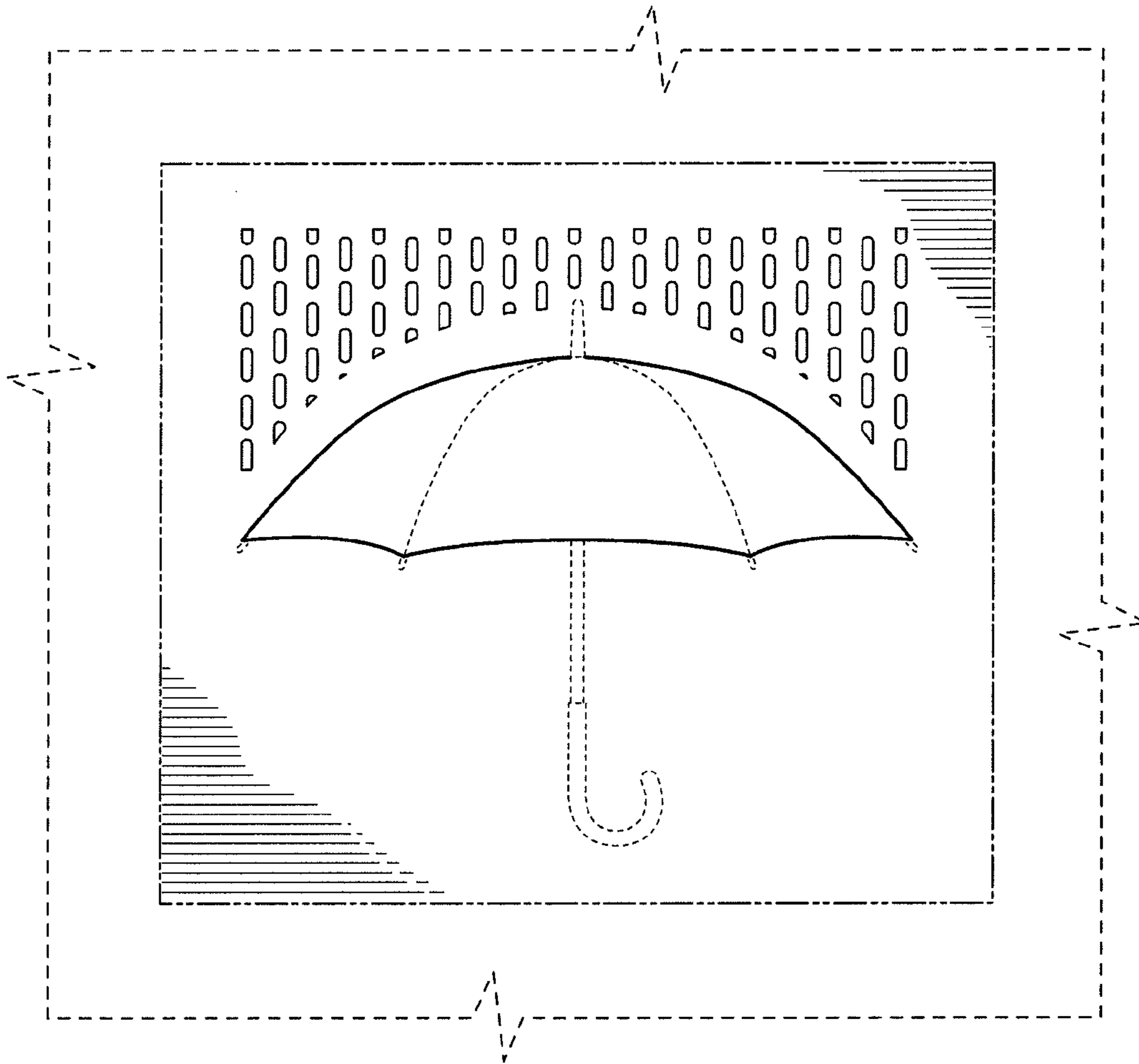


FIG. 2

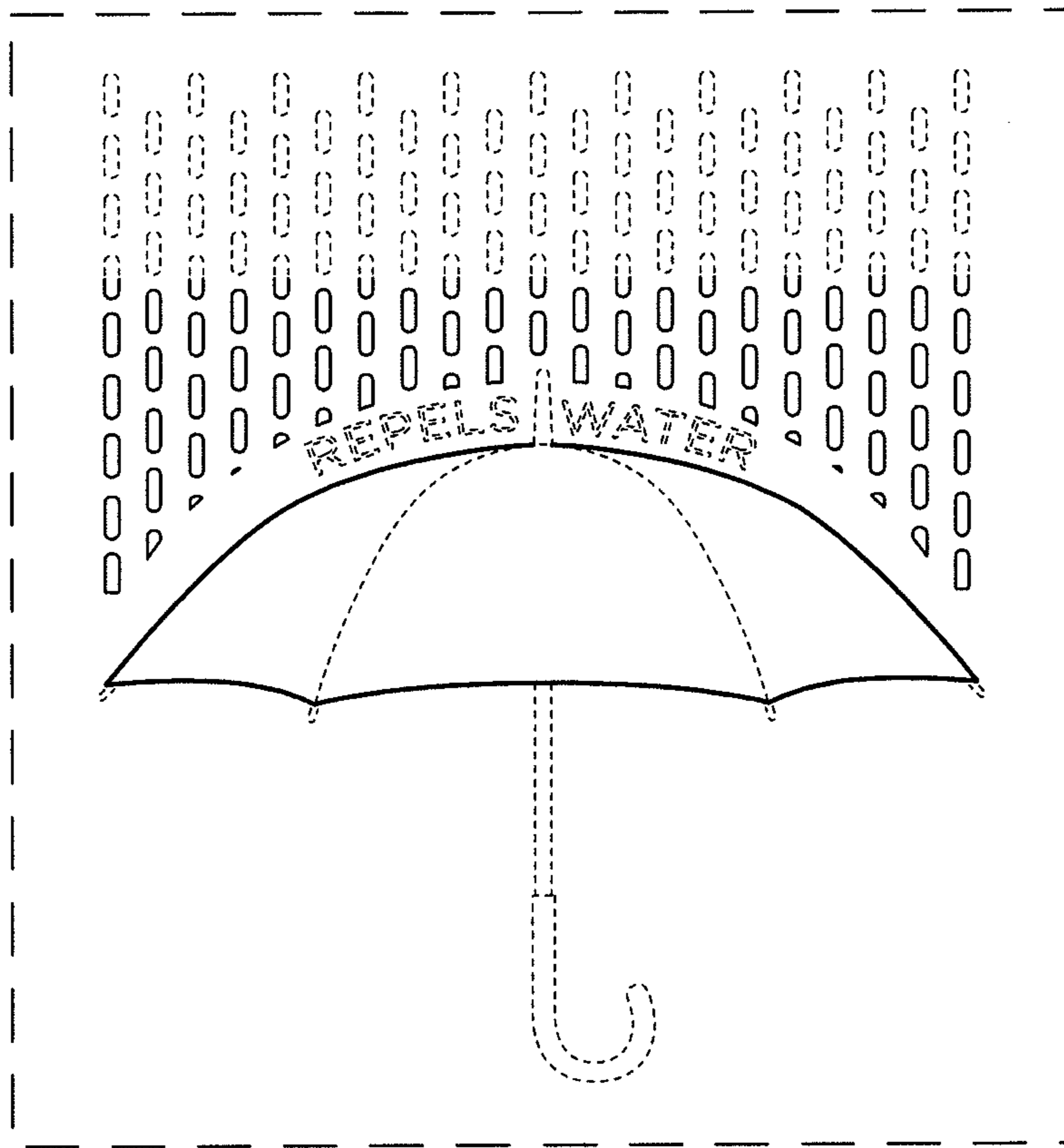


FIG. 3

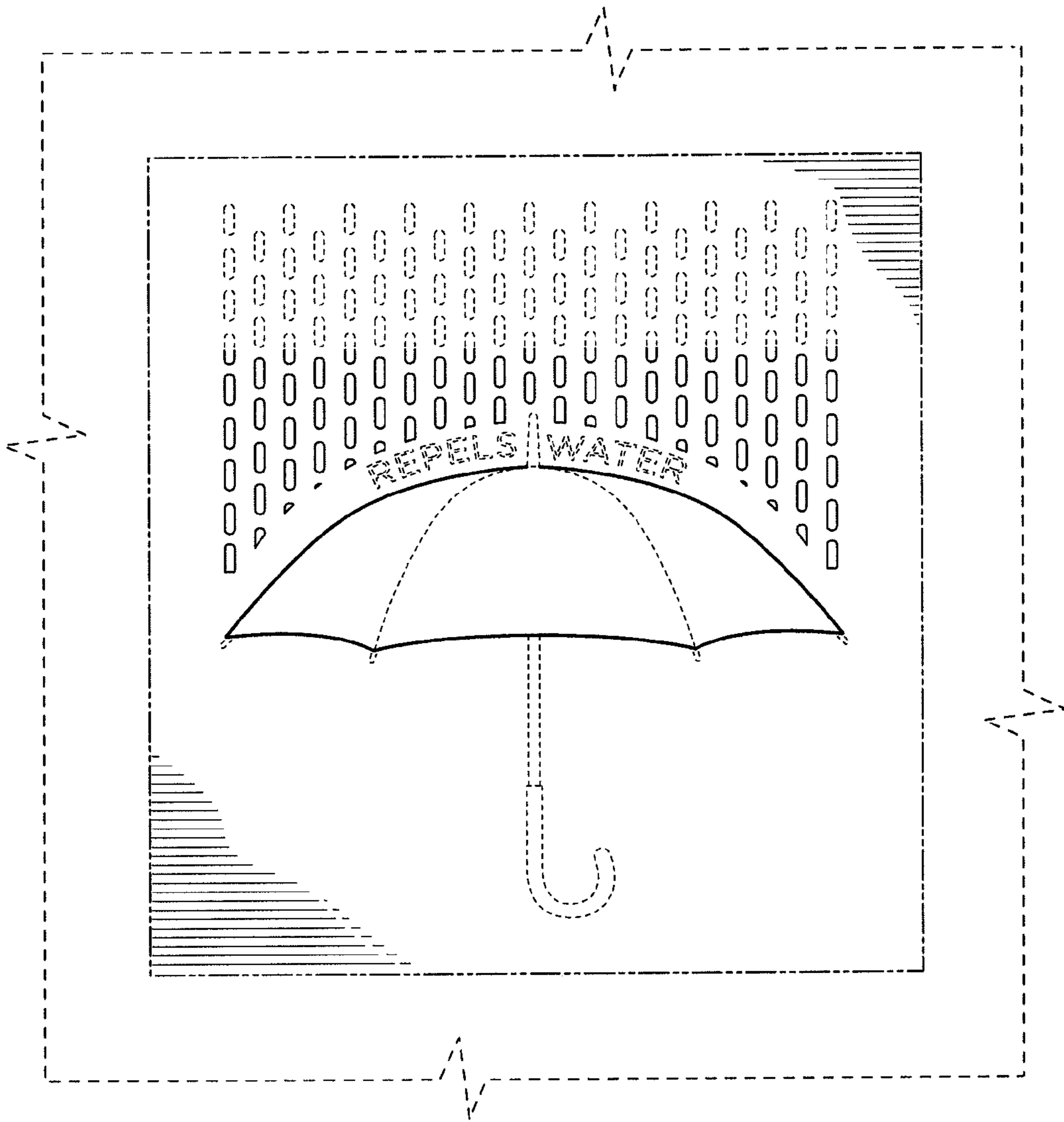


FIG. 4

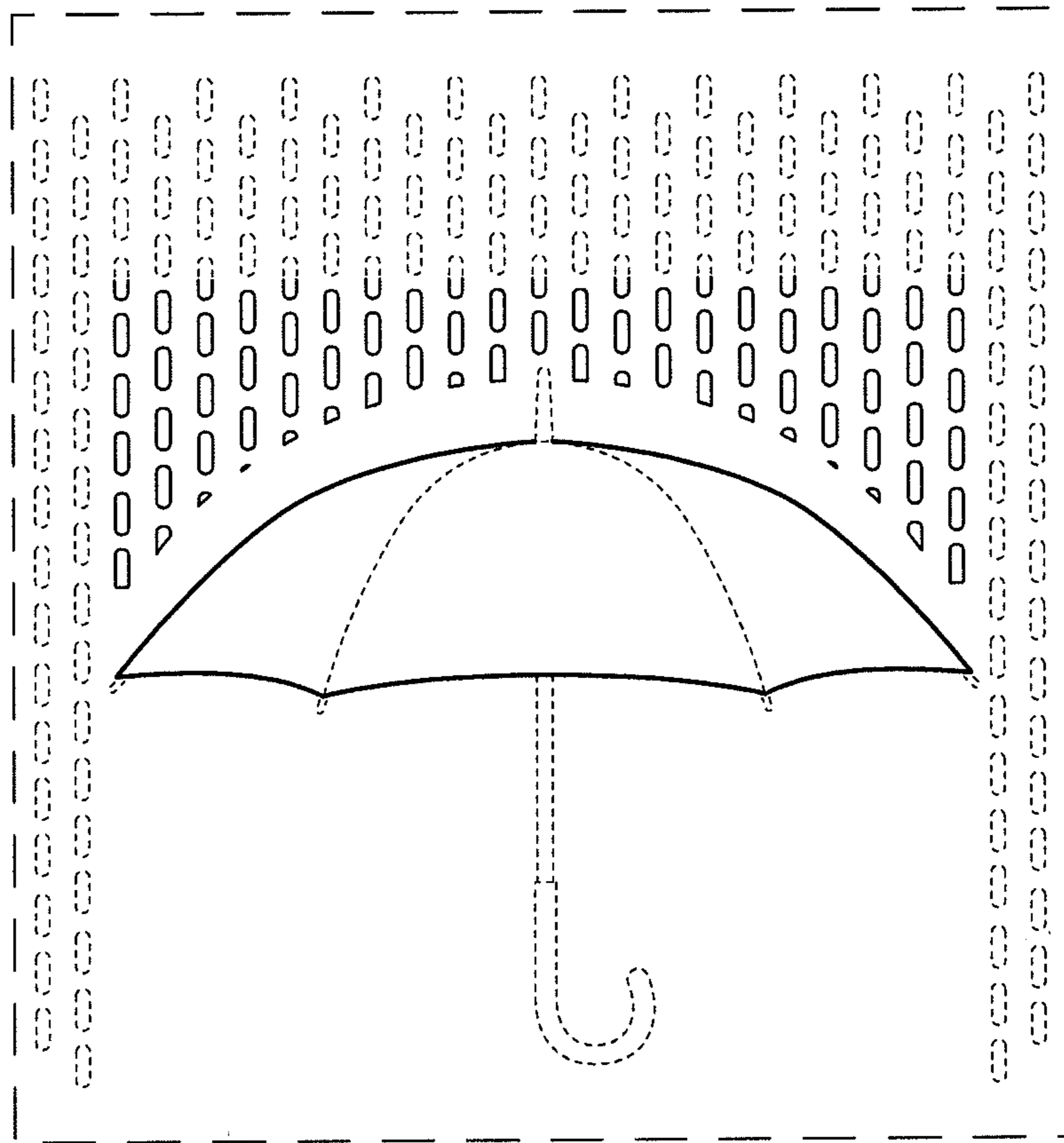


FIG. 5

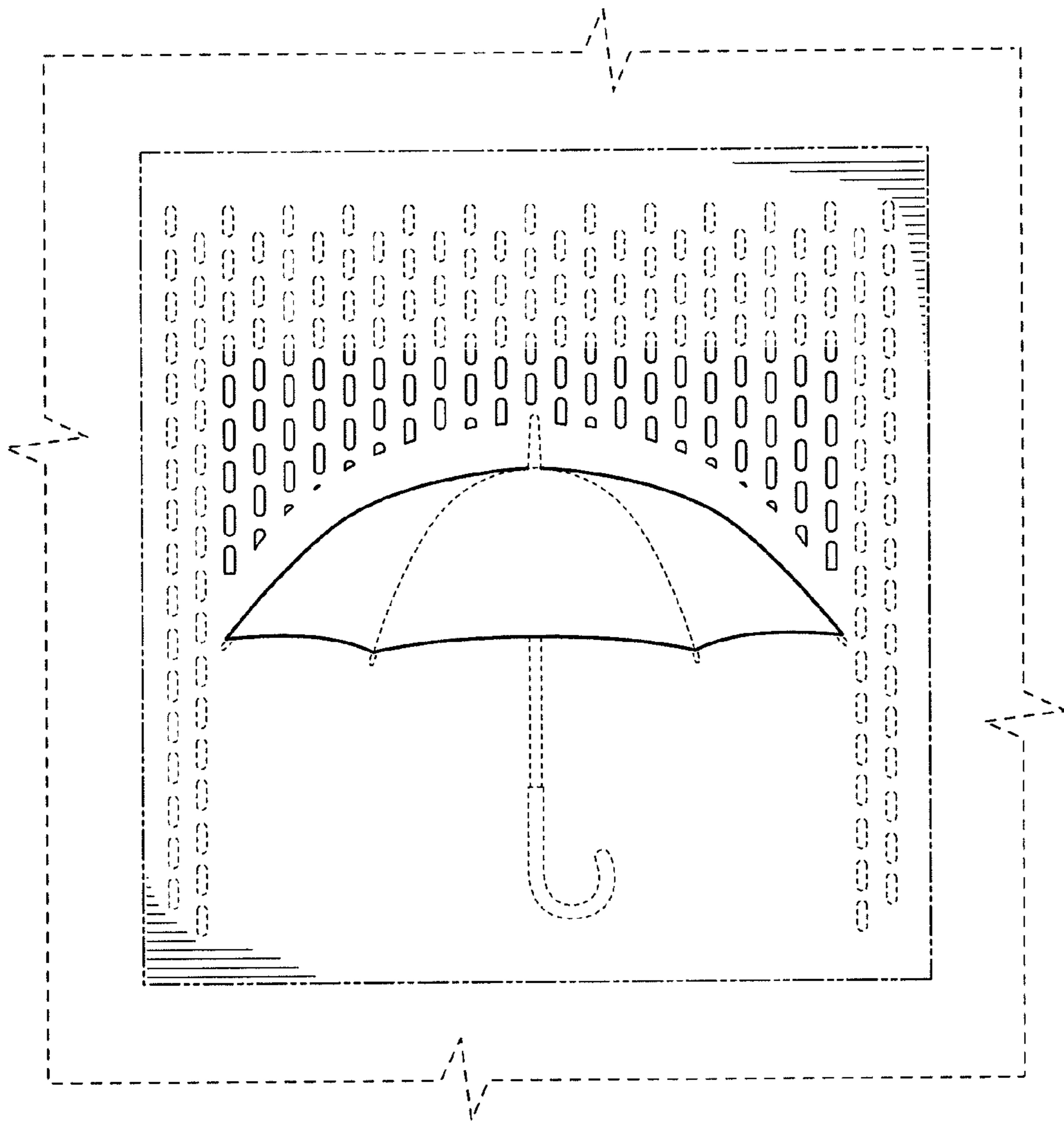


FIG. 6