



US00D697526S

(12) **United States Design Patent**
Bruck et al.

(10) **Patent No.:** **US D697,526 S**
(45) **Date of Patent:** **** Jan. 14, 2014**

(54) **DISPLAY SCREEN OR PORTION THEREOF WITH AN ANIMATED GRAPHICAL USER INTERFACE**

(75) Inventors: **Timo A. Bruck**, Mountain View, CA (US); **Clemens Knieper**, San Francisco, CA (US)

(73) Assignee: **Nest Labs, Inc.**, Palo Alto, CA (US)

(**) Term: **14 Years**

(21) Appl. No.: **29/404,103**

(22) Filed: **Oct. 14, 2011**

(51) **LOC (10) Cl.** **14-04**

(52) **U.S. Cl.**
USPC **D14/487**

(58) **Field of Classification Search**
USPC D14/485–495; 715/700–867
See application file for complete search history.

(56) **References Cited**

U.S. PATENT DOCUMENTS

D450,059 S	*	11/2001	Itou	D14/489
D588,152 S	*	3/2009	Okada	D14/488
D590,412 S	*	4/2009	Saft et al.	D14/486
D594,464 S	*	6/2009	Ng et al.	D14/486
D595,309 S	*	6/2009	Sasaki et al.	D14/488
D597,101 S	*	7/2009	Chaudhri et al.	D14/488
D607,001 S	*	12/2009	Ording	D14/486
D614,194 S	*	4/2010	Guntaur et al.	D14/486
D614,196 S	*	4/2010	Guntaur et al.	D14/486
D616,460 S	*	5/2010	Pearson et al.	D14/488
D619,613 S	*	7/2010	Dunn	D14/488
D625,734 S	*	10/2010	Kurozumi et al.	D14/488
D626,133 S	*	10/2010	Murphy et al.	D14/485

7,823,076 B2	*	10/2010	Borovsky et al.	715/764
D638,835 S	*	5/2011	Akana et al.	D14/341
D648,735 S	*	11/2011	Arnold et al.	D14/486
D658,674 S	*	5/2012	Shallcross et al.	D14/488
D665,397 S	*	8/2012	Naranjo et al.	D14/486
D673,172 S	*	12/2012	Peters et al.	D14/487

* cited by examiner

Primary Examiner — Barbara Fox

(74) *Attorney, Agent, or Firm* — Kilpatrick Townsend & Stockton, LLP

(57) **CLAIM**

The ornamental design for a display screen or portion thereof with an animated graphical user interface, as shown and described.

DESCRIPTION

FIG. 1 is a front view of a first image of a display screen or portion thereof with an animated graphical user interface, showing our new design;

FIG. 2 is a front view of a second image thereof;

FIG. 3 is a front view of a third image thereof;

FIG. 4 is a front view of a fourth image thereof;

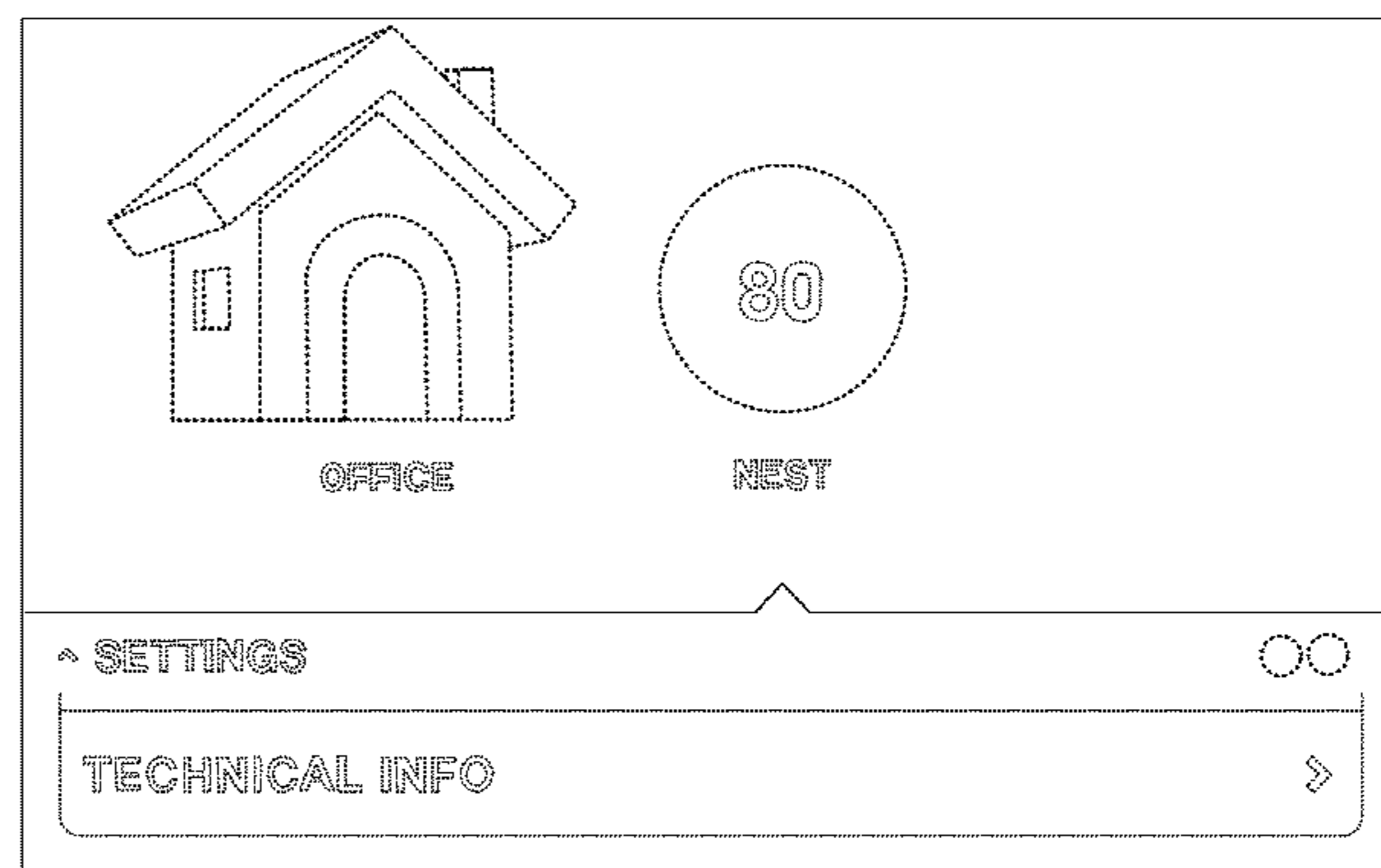
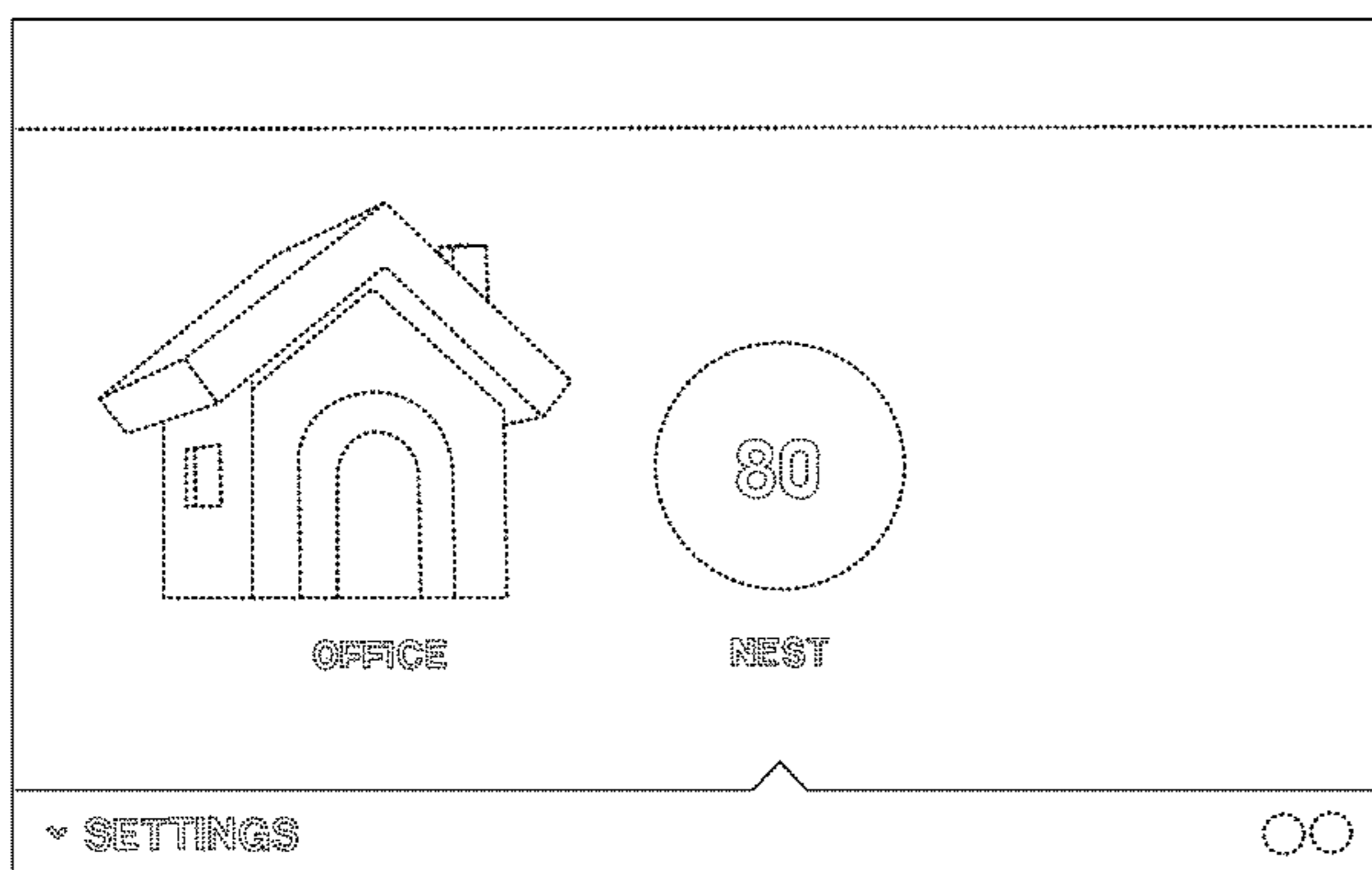
FIG. 5 is a front view of a fifth image thereof; and,

FIG. 6 is a front view of a sixth image thereof.

The broken lines illustrating a display screen or portion thereof with an animated graphical user interface represent portions of the display screen or portion thereof with an animated graphical user interface which form no part of the claimed design.

The outermost rectangle illustrates the display screen. The broken line showing of portions of the animated graphical user interface illustrates portions of the animated graphical user interface which forms no part of the claimed design.

1 Claim, 6 Drawing Sheets



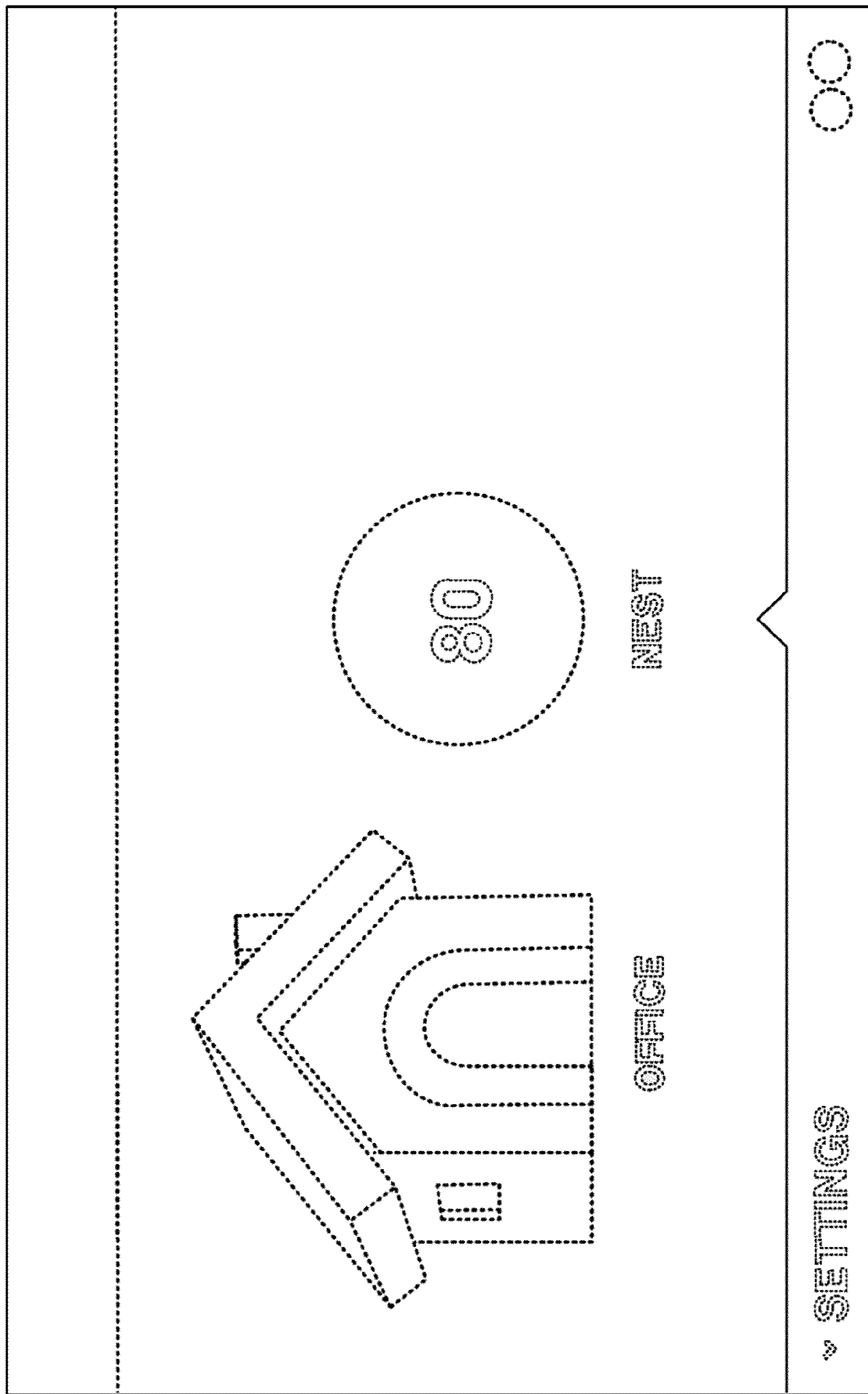


FIG. 1

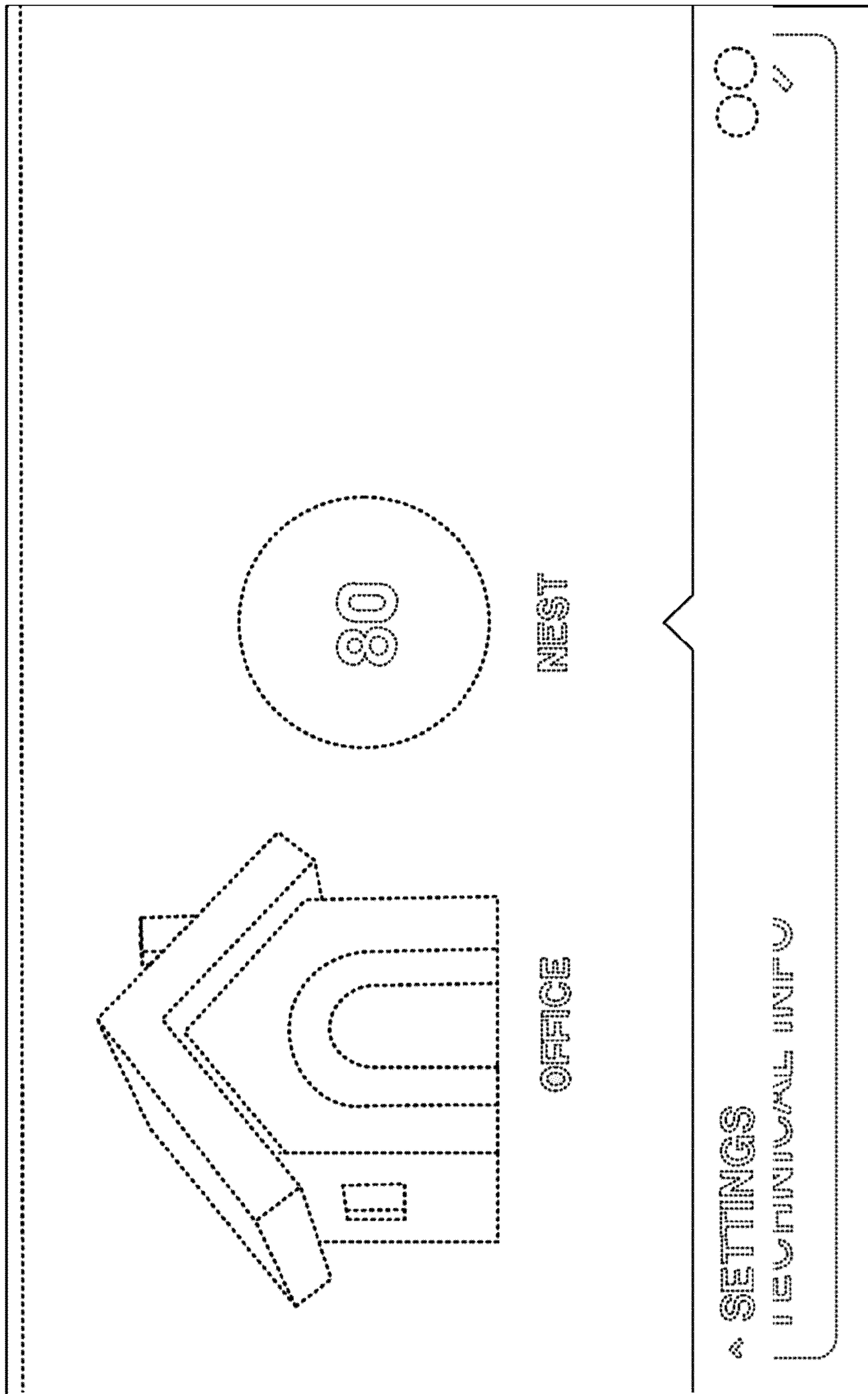


FIG. 2

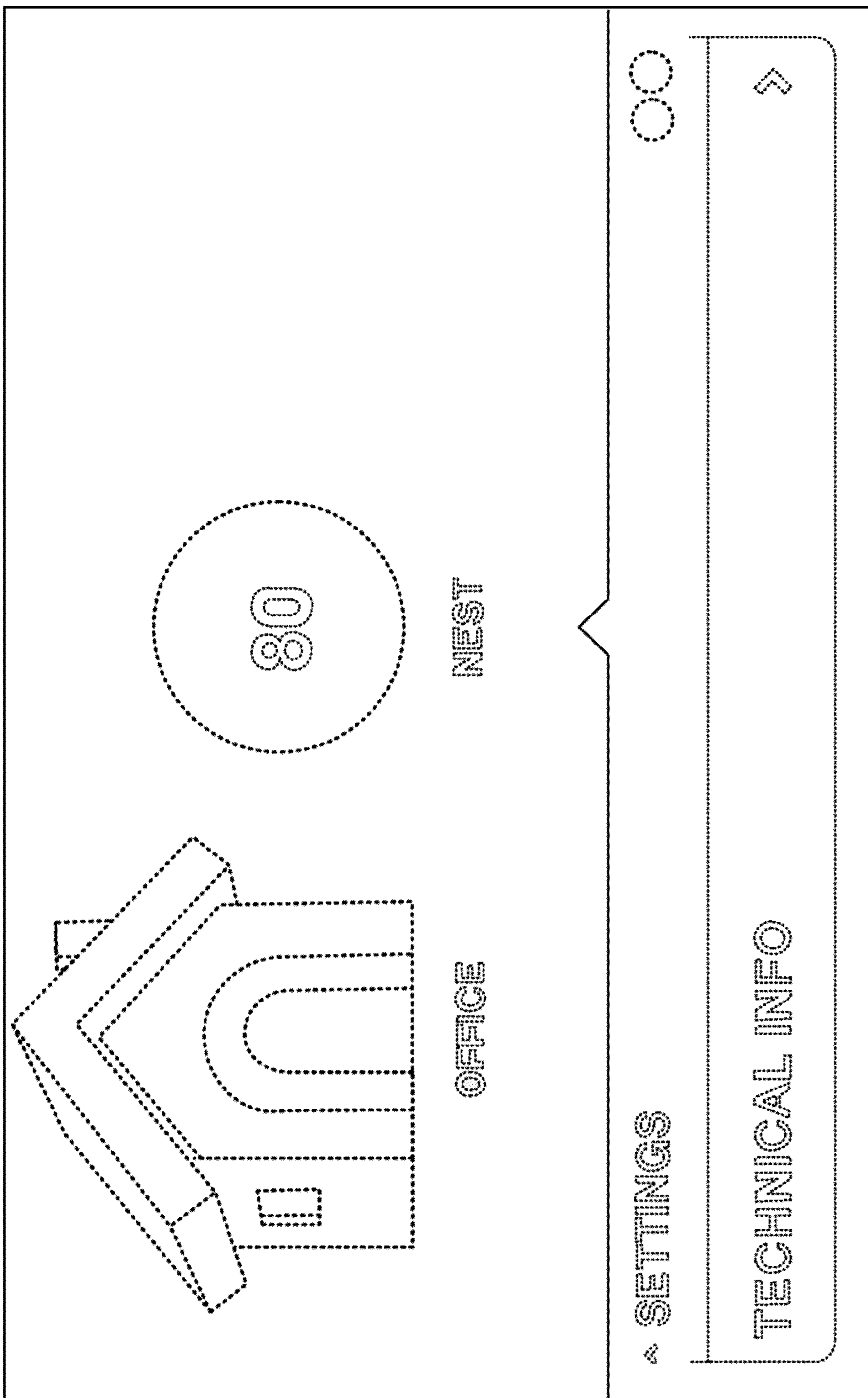


FIG. 3

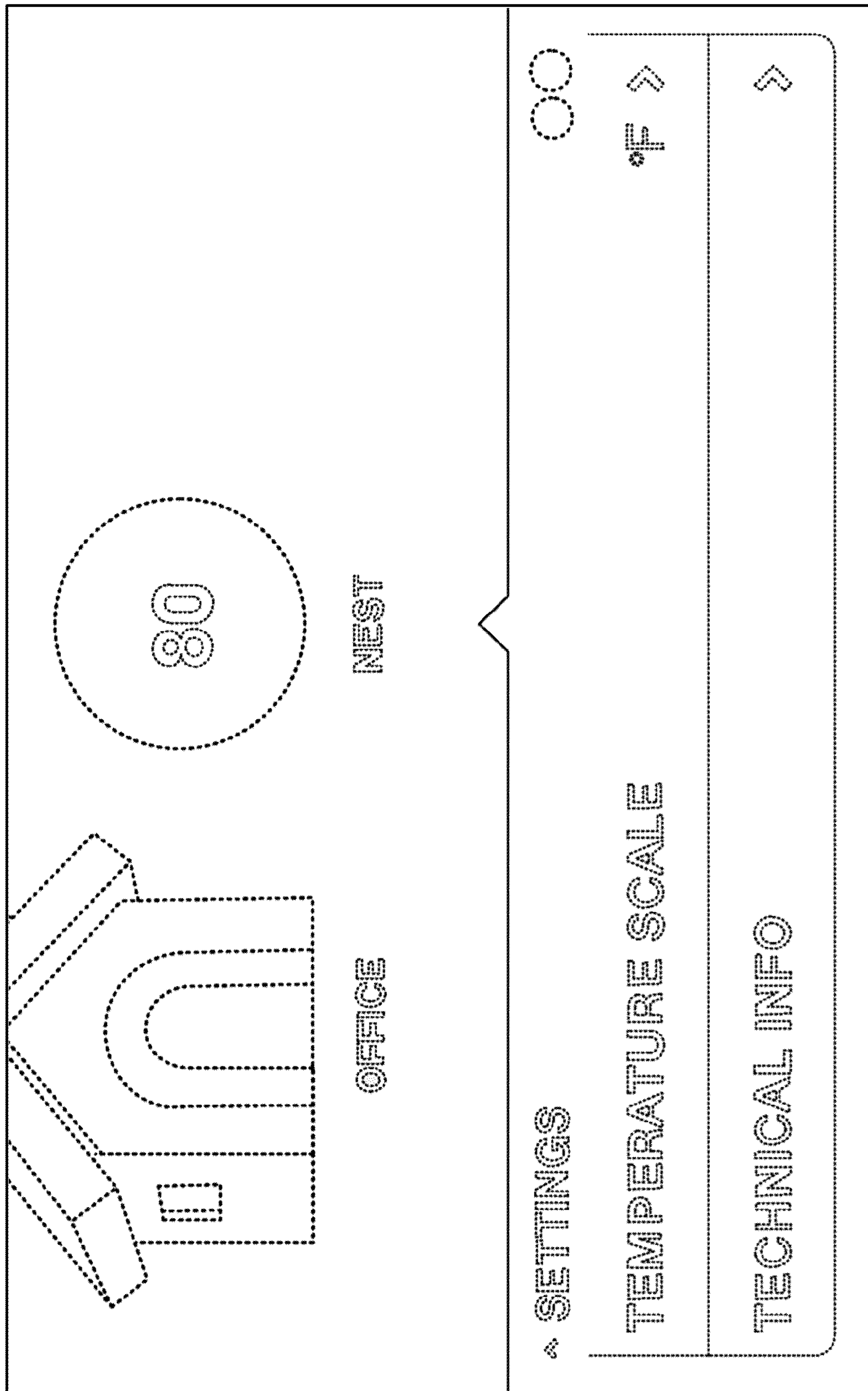


FIG. 4

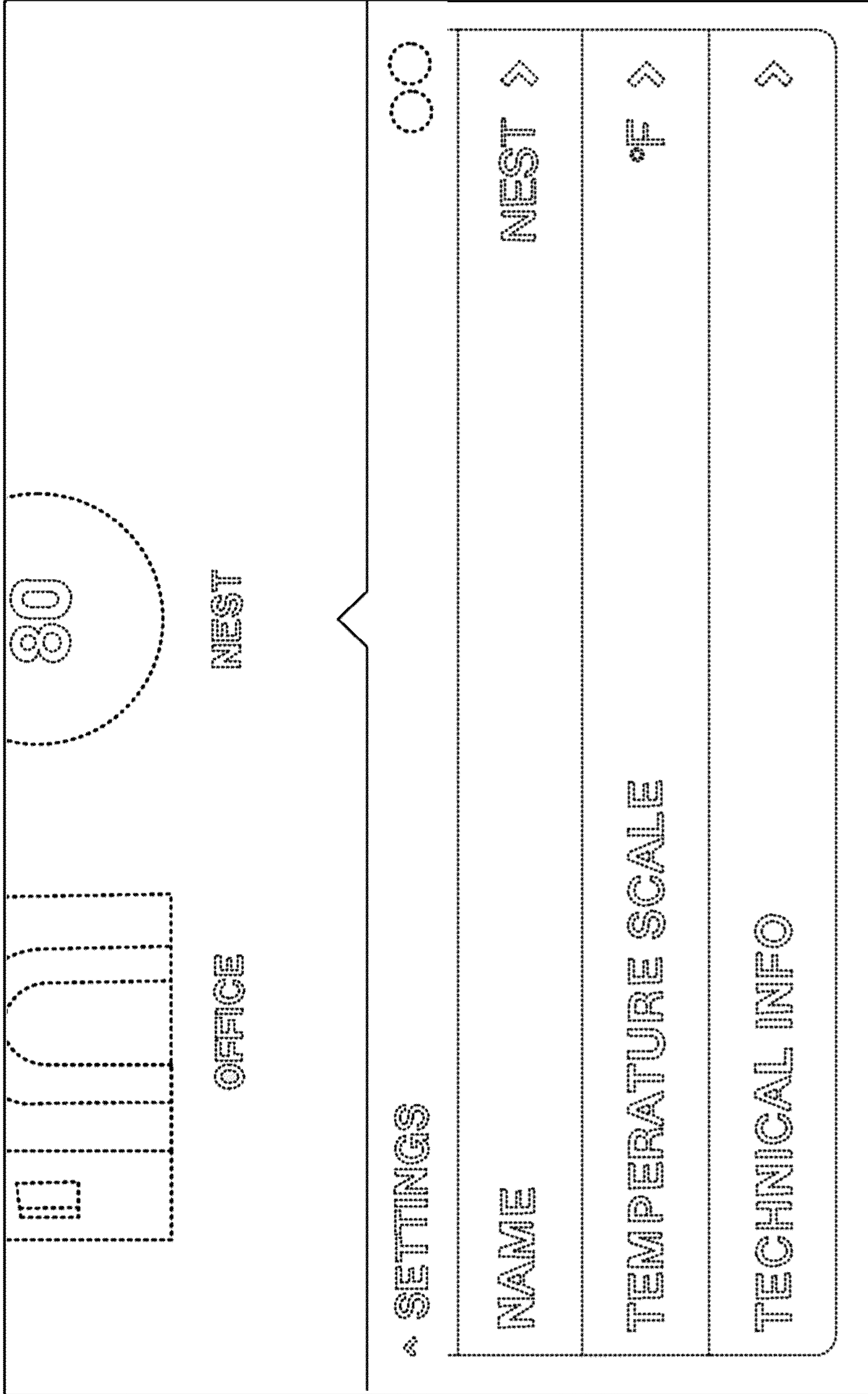


FIG. 5

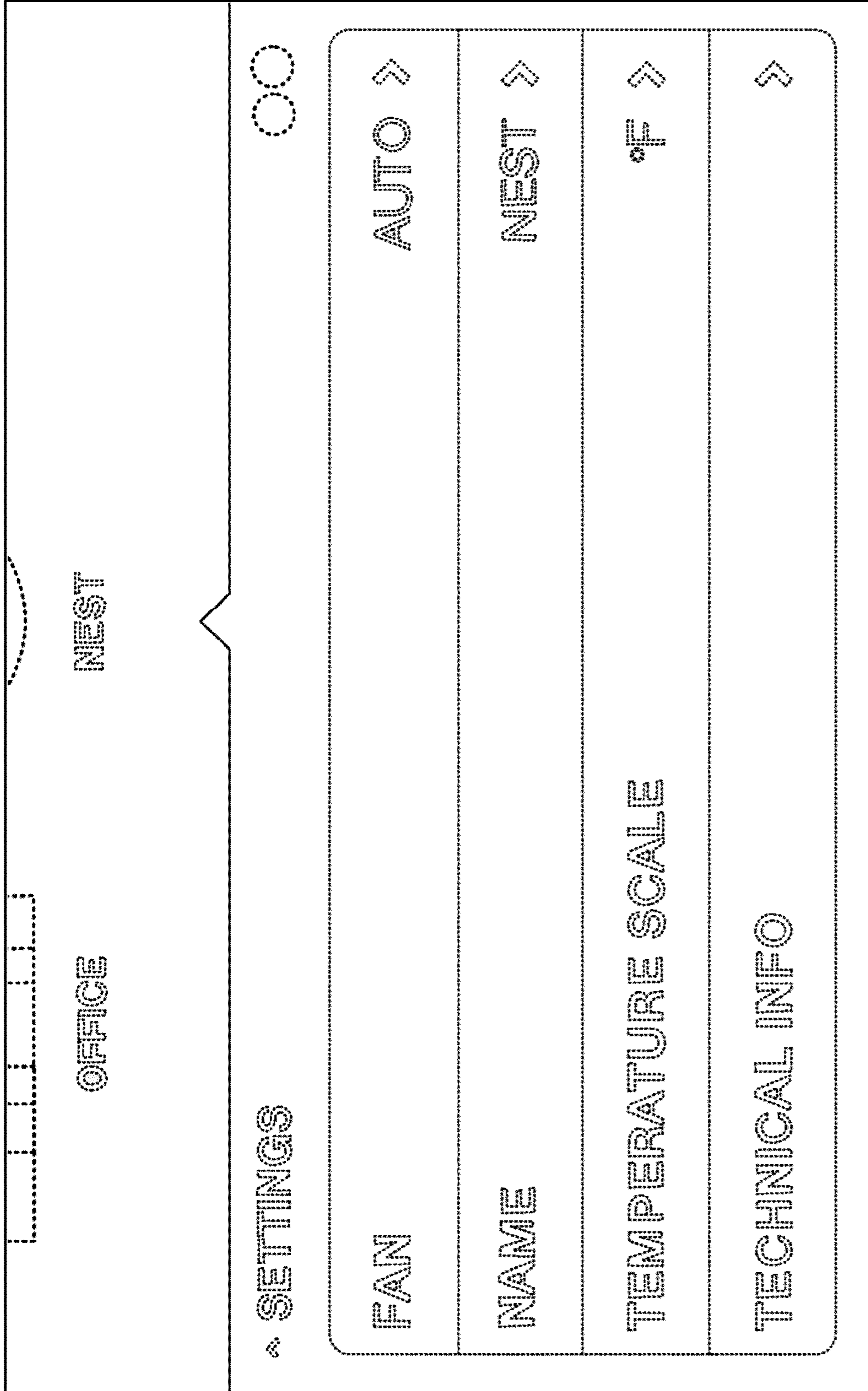


FIG. 6