



US00D697517S

(12) **United States Design Patent**
Pressman et al.

(10) **Patent No.:** **US D697,517 S**
(45) **Date of Patent:** **** Jan. 14, 2014**

(54) **USB DEVICE HOLDER**

(75) Inventors: **Norman J. Pressman**, Glencoe, IL
(US); **James David Morrow**, Oak Park,
IL (US)

(73) Assignee: **IE3 LLC**, Glencoe, IL (US)

(**) Term: **14 Years**

(21) Appl. No.: **29/424,364**

(22) Filed: **Jun. 11, 2012**

(51) **LOC (10) Cl.** **14-02**

(52) **U.S. Cl.**
USPC **D14/484.1; D3/201**

(58) **Field of Classification Search**

USPC D14/411, 433, 435.1, 436, 480.1–480.7,
D14/484.1, 137, 155, 203.1–203.8, 240;
D13/133, 154; D3/215, 218, 229–230,
D3/242, 273, 302–303; 710/300, 301;
439/131, 135–147; 361/679.31,
361/679.33, 679.4, 752; 711/100, 115

See application file for complete search history.

(56) **References Cited**

U.S. PATENT DOCUMENTS

D46,411 S * 9/1914 Nagoski D27/176
D273,053 S * 3/1984 Hamborg D99/28
D378,735 S * 4/1997 Gatewood et al. D3/302
D433,807 S * 11/2000 Vazquez D3/303
D484,874 S * 1/2004 Chang et al. D14/250
D493,790 S * 8/2004 Wu D14/480.5
D512,060 S * 11/2005 Wang et al. D14/480.1
D533,834 S * 12/2006 Liu D14/484.1
7,568,942 B1 * 8/2009 Lannon et al. 439/521
D609,712 S * 2/2010 Bedol D14/480.5

7,794,245 B2 * 9/2010 Thompson 439/135
D631,483 S * 1/2011 Nelson D14/484.1
D633,507 S * 3/2011 Nelson D14/484.1
D638,001 S * 5/2011 Nakhjiri et al. D14/242
D675,217 S * 1/2013 Lee D14/480.6
D683,350 S * 5/2013 Jarosinski et al. D14/480.5
2009/0187692 A1 * 7/2009 Czarnek et al. 710/300

* cited by examiner

Primary Examiner — Karen E Kearney

(74) *Attorney, Agent, or Firm* — Seyfarth Shaw LLP; Brian Michaelis

(57) **CLAIM**

The ornamental design for the USB device holder, as shown and described.

DESCRIPTION

FIG. 1 is a front perspective view of a USB device holder showing the new design;

FIG. 2 is a rear perspective view of the USB device holder shown in FIG. 1;

FIG. 3 is a front elevational view of the USB device holder shown in FIG. 1;

FIG. 4 is a rear elevational view of the USB device holder shown in FIG. 1;

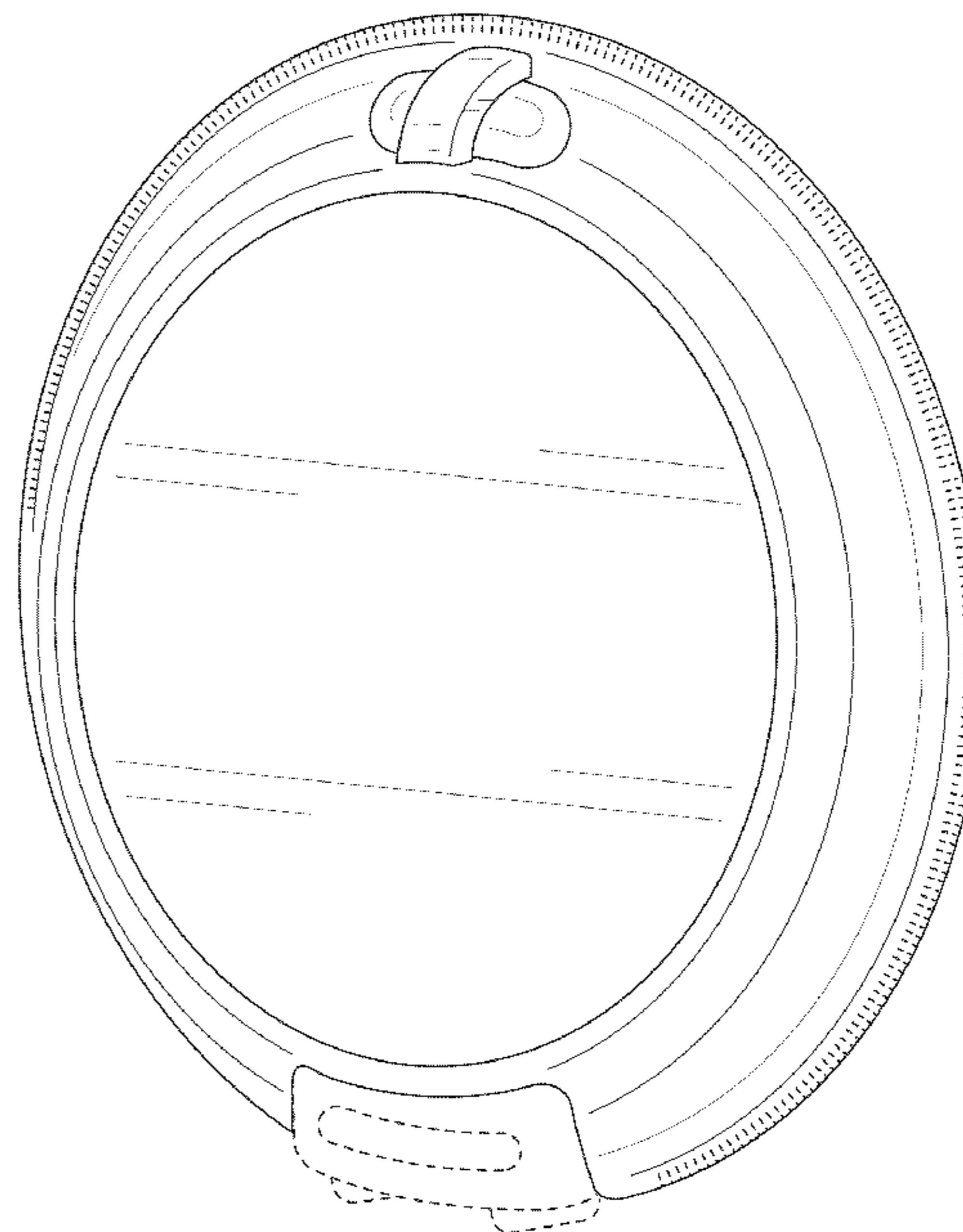
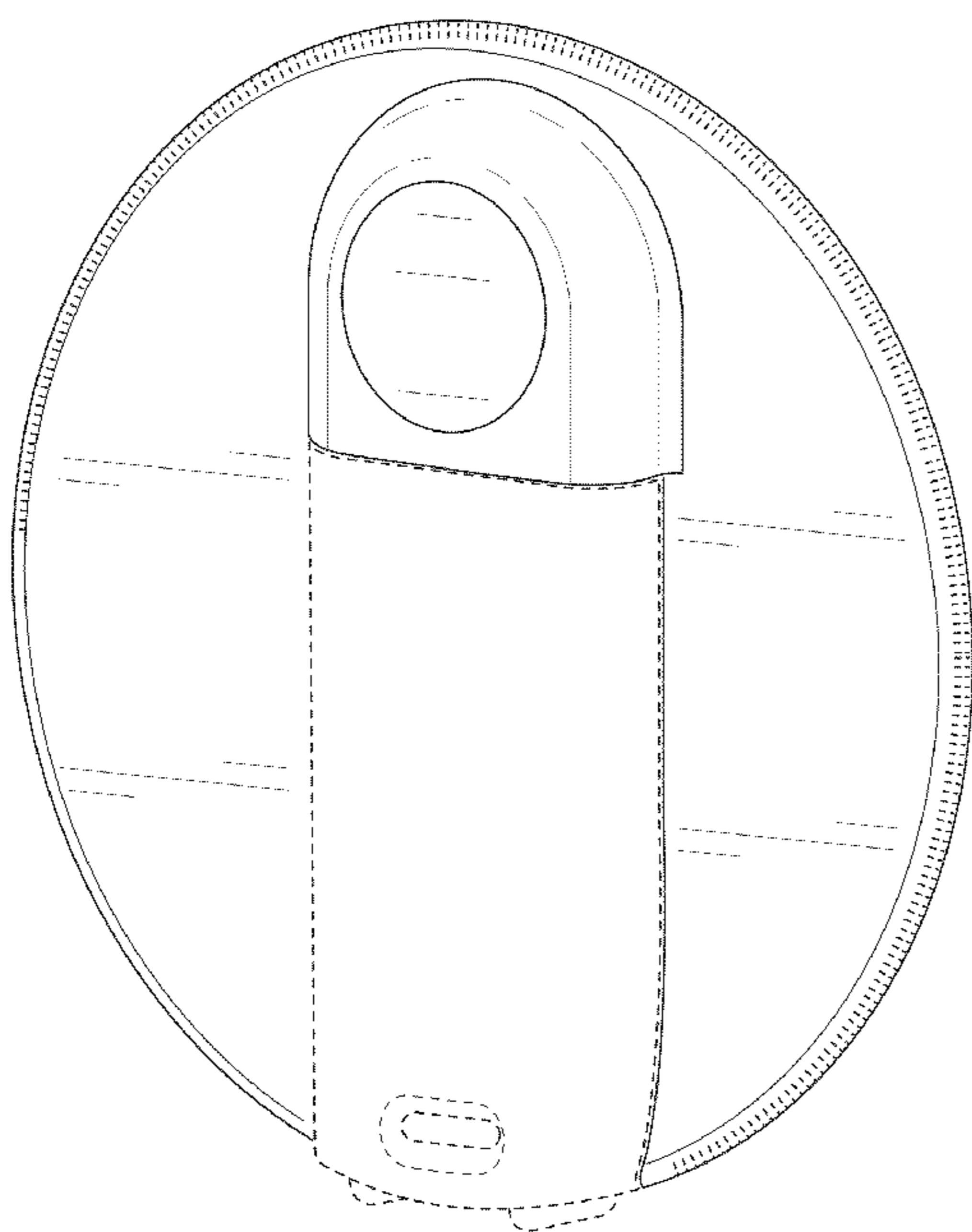
FIG. 5 is a top plan view of the USB device holder shown in FIG. 1;

FIG. 6 is a left side elevational view of the USB device holder shown in FIG. 1; and,

FIG. 7 is a right side elevational view of the USB device holder shown in FIG. 1.

The broken line showings of the USB device and the texturing on the perimeter of the USB device holder are included for the purpose of illustrating portions of the USB device holder and form no part of the claimed design.

1 Claim, 7 Drawing Sheets



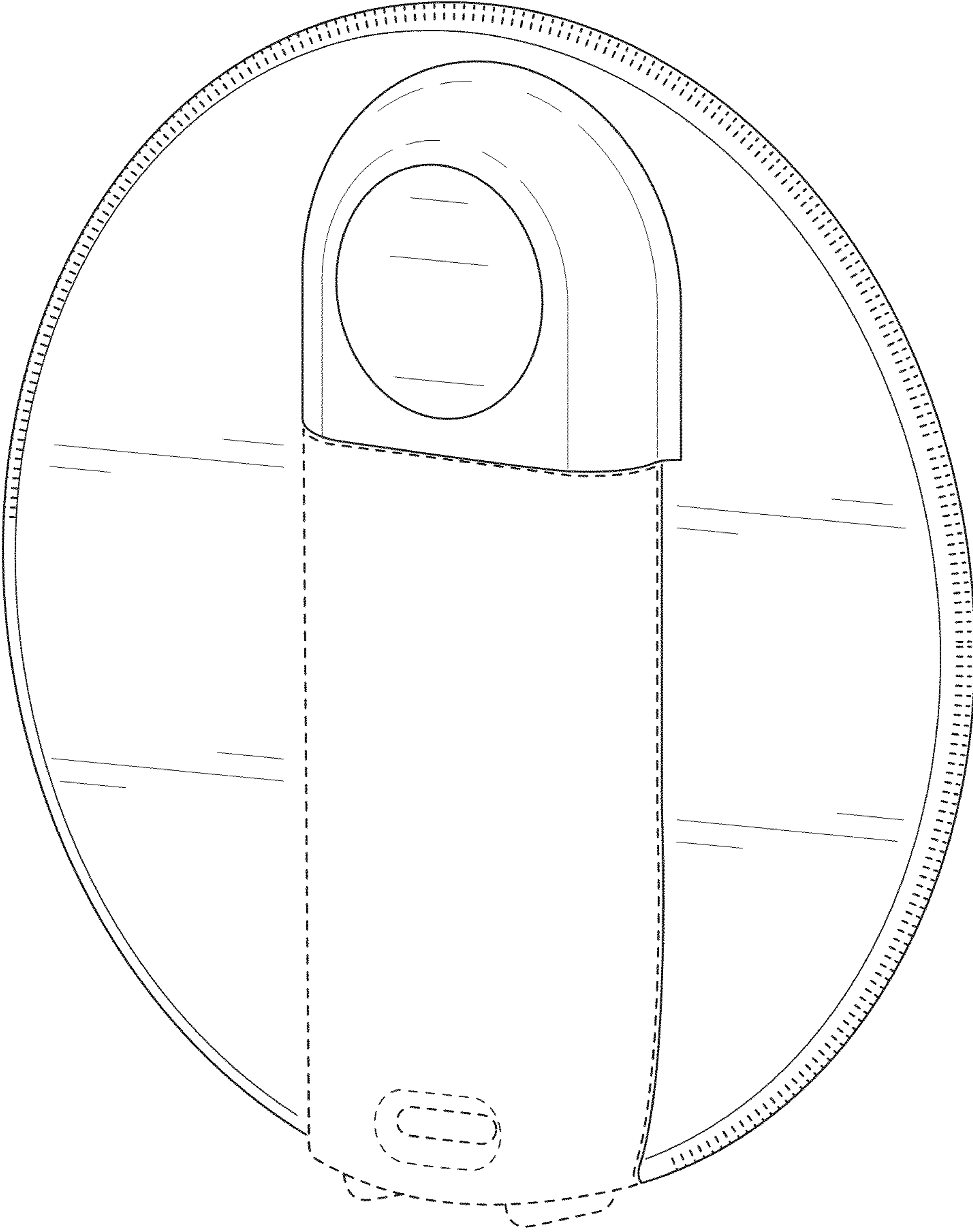


FIG.1

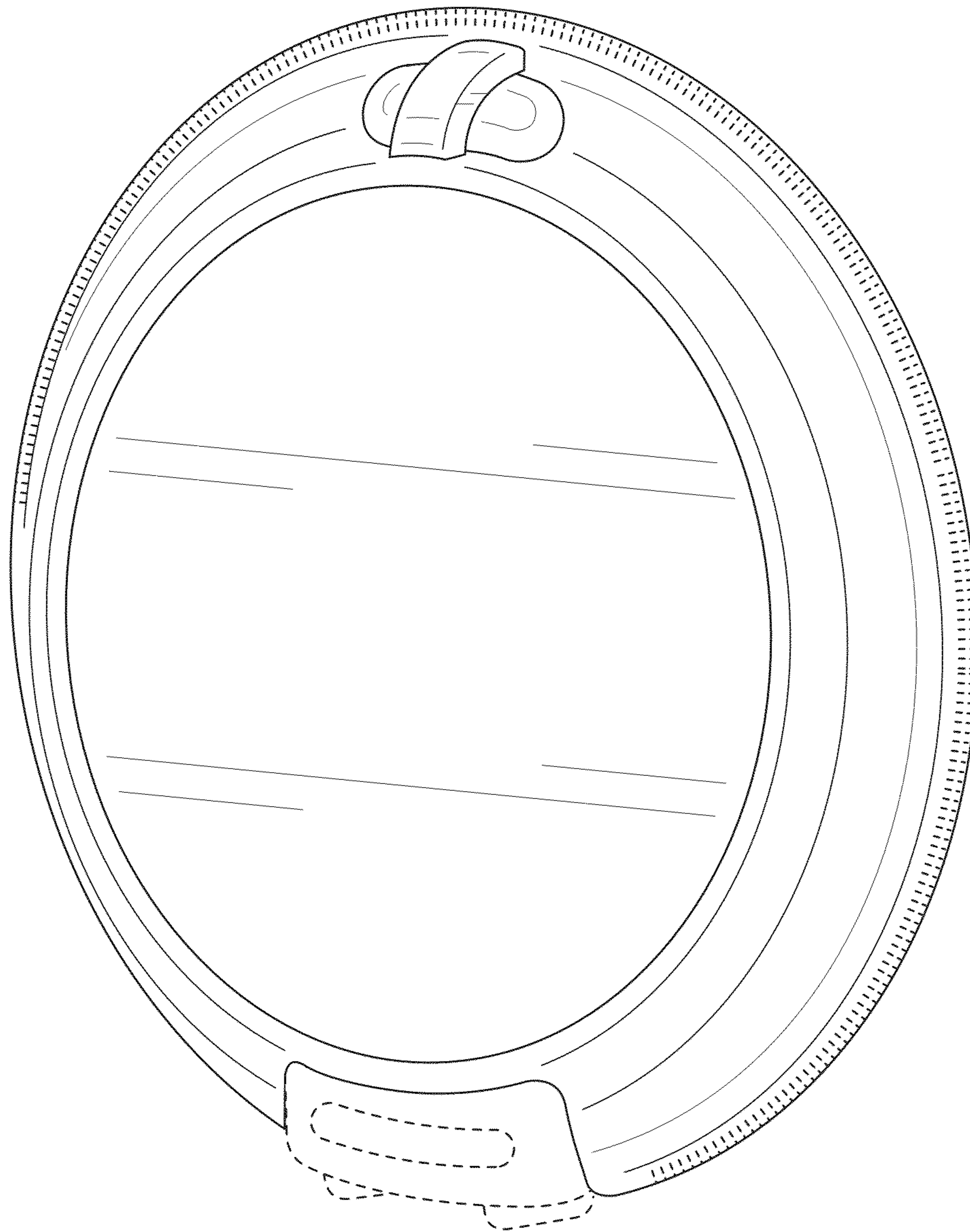


FIG.2

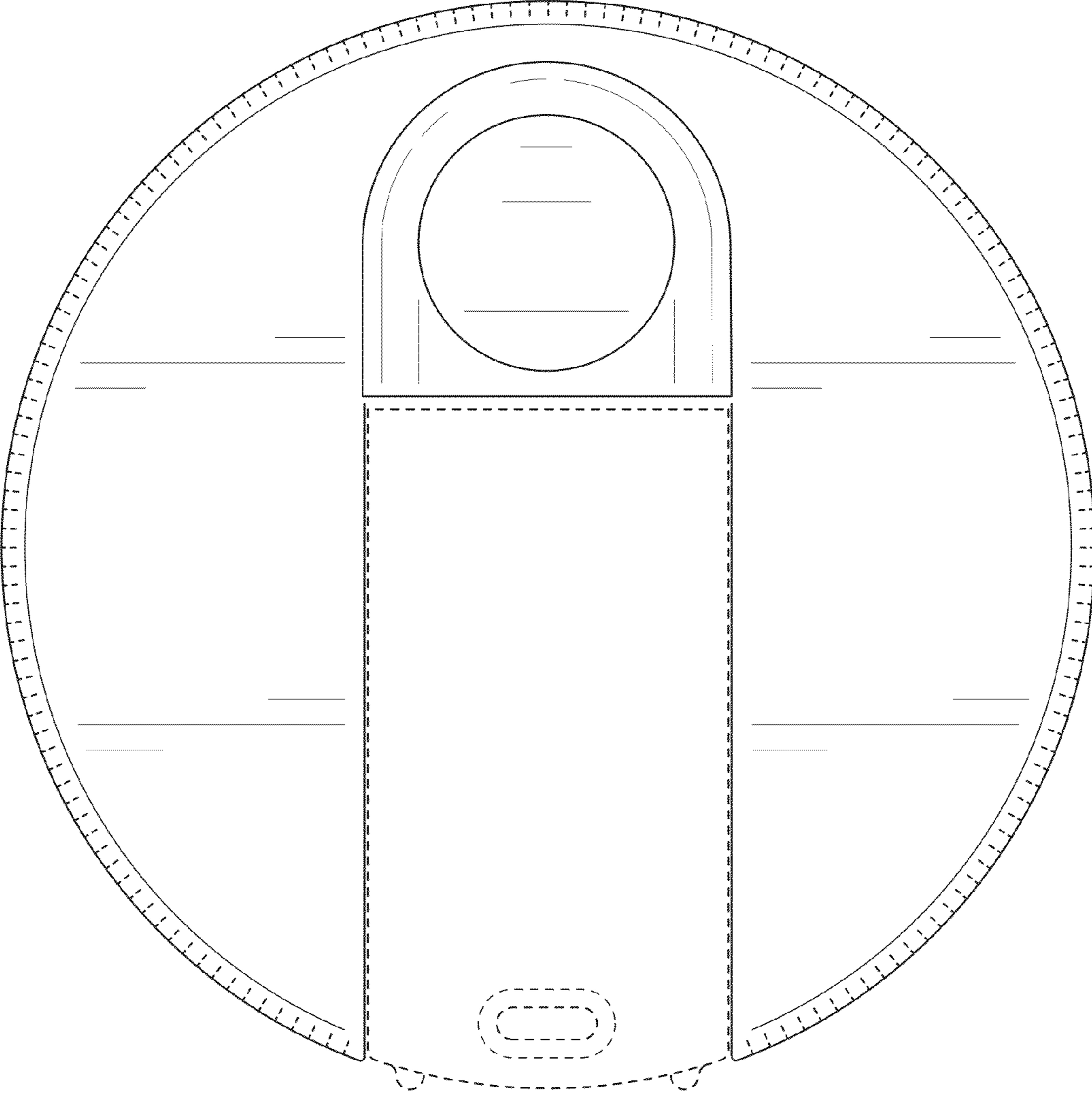


FIG.3

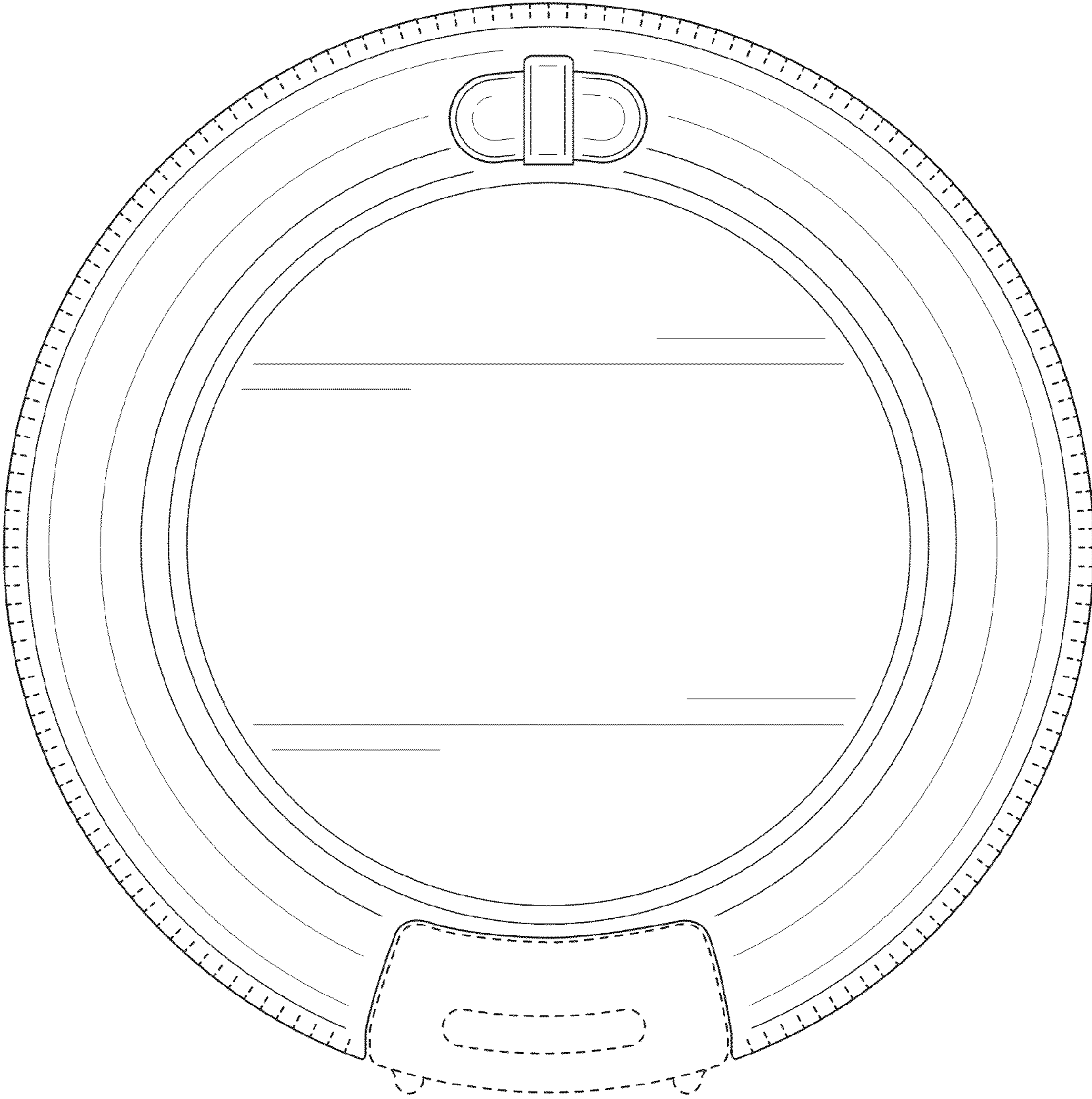


FIG.4

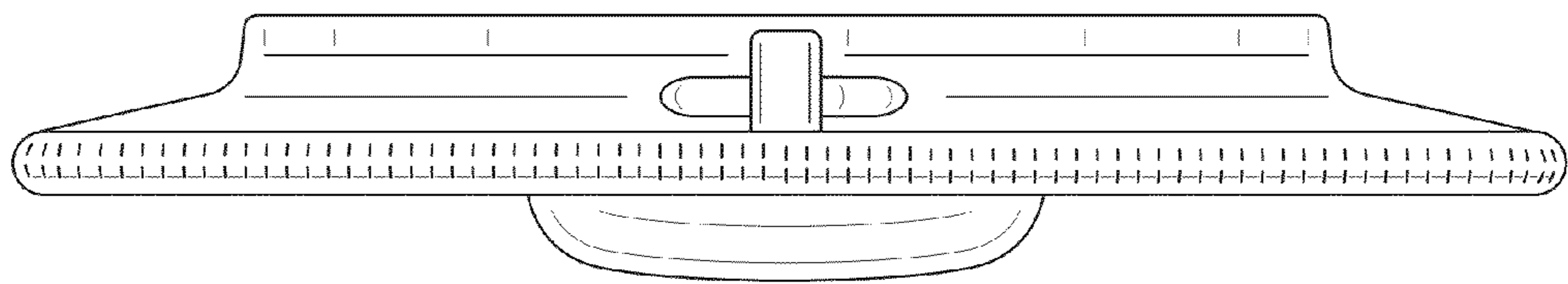


FIG.5

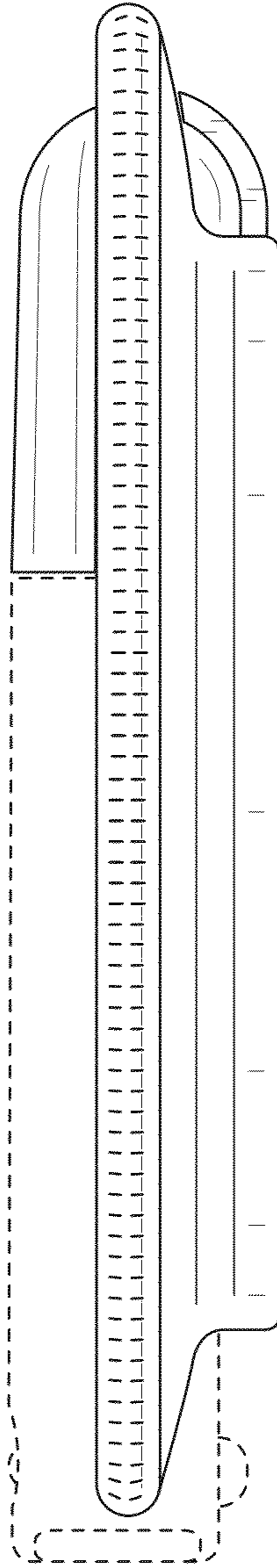


FIG.6

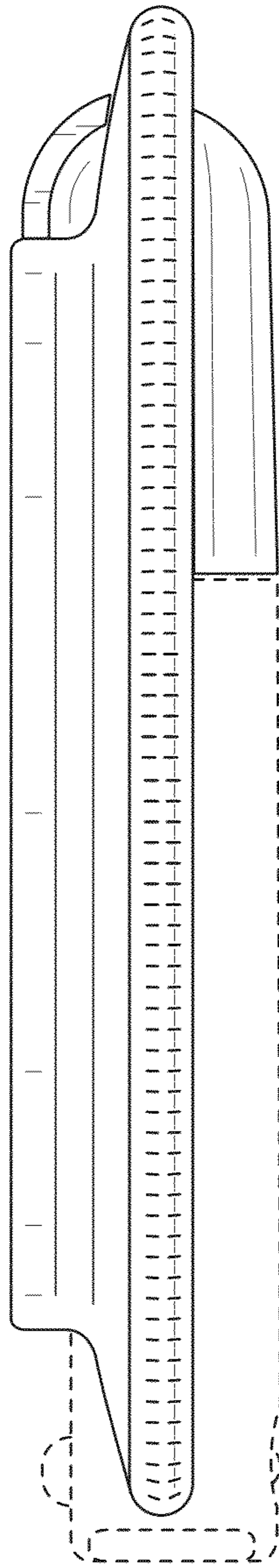


FIG.7