



US00D697515S

(12) **United States Design Patent**
Adelman et al.

(10) **Patent No.:** **US D697,515 S**
(45) **Date of Patent:** **** Jan. 14, 2014**

(54) **MOUNTABLE ELECTRONIC DEVICE
HOLDER**

(71) Applicant: **Nite Ize, Inc.**, Boulder, CO (US)
(72) Inventors: **Gregory M. Adelman**, Boulder, CO
(US); **Bowden Ormsbee**, Longmont, CO
(US)

(73) Assignee: **Nite Ize, Inc.**, Boulder, CO (US)

(**) Term: **14 Years**

(21) Appl. No.: **29/441,569**

(22) Filed: **Jan. 7, 2013**

(51) **LOC (10) Cl.** **08-07**

(52) **U.S. Cl.**
USPC **D14/447**

(58) **Field of Classification Search**
USPC D14/447, 432, 434, 439, 448, 451, 452,
D14/457, 239, 250, 251, 253, 238.1, 440,
D14/205, 223, 224, 224.1, 229; D13/108;
D6/406.1, 406.2, 406.3, 406.4, 406.5,
D6/406.6, 601; 248/917-924, 363, 445,
248/447, 451, 455, 456, 460, 371, 166, 434,
248/188.6; 361/726, 679.02, 679.09,
361/679.21, 679.22, 679.26, 679.27,
361/679.29, 679.3, 679.55, 679.56

See application file for complete search history.

(56) **References Cited**

U.S. PATENT DOCUMENTS

D646,315 S * 10/2011 Orf D16/242
D646,674 S * 10/2011 Liao D14/253
D650,774 S * 12/2011 Molter D14/239

D654,119 S * 2/2012 Lin D21/333
D658,168 S * 4/2012 Werth D14/253
D665,797 S * 8/2012 Novak D14/253
8,240,628 B2 * 8/2012 Huang 248/316.1
D669,890 S * 10/2012 Hopkins et al. D14/251
D670,691 S * 11/2012 Novak D14/253
D671,950 S * 12/2012 Richter D14/447
D684,979 S * 6/2013 Chun D14/447
D685,380 S * 7/2013 Richter D14/447
D685,804 S * 7/2013 Richter D14/447

* cited by examiner

Primary Examiner — Angela J Lee

(74) *Attorney, Agent, or Firm* — Patton Boggs LLP

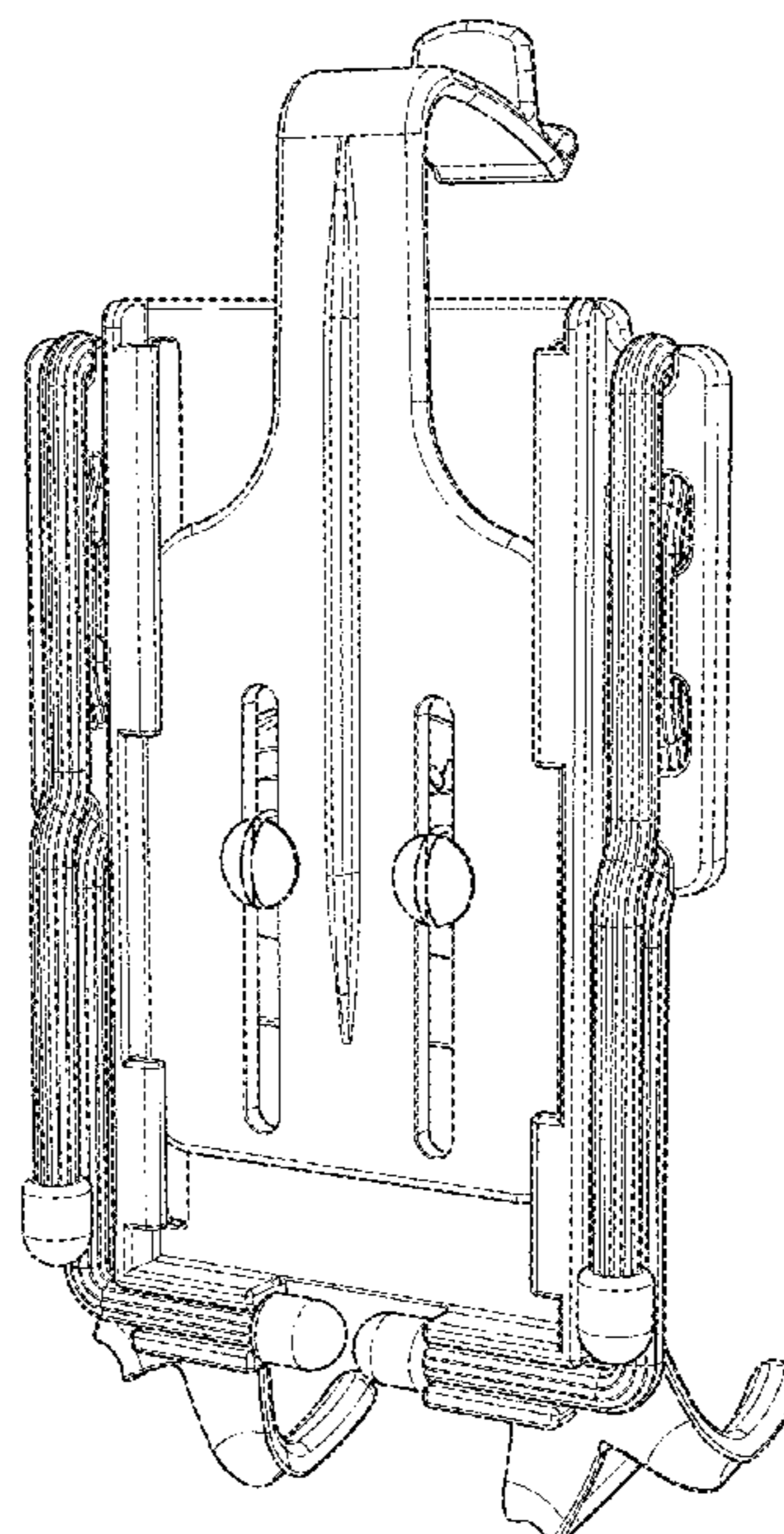
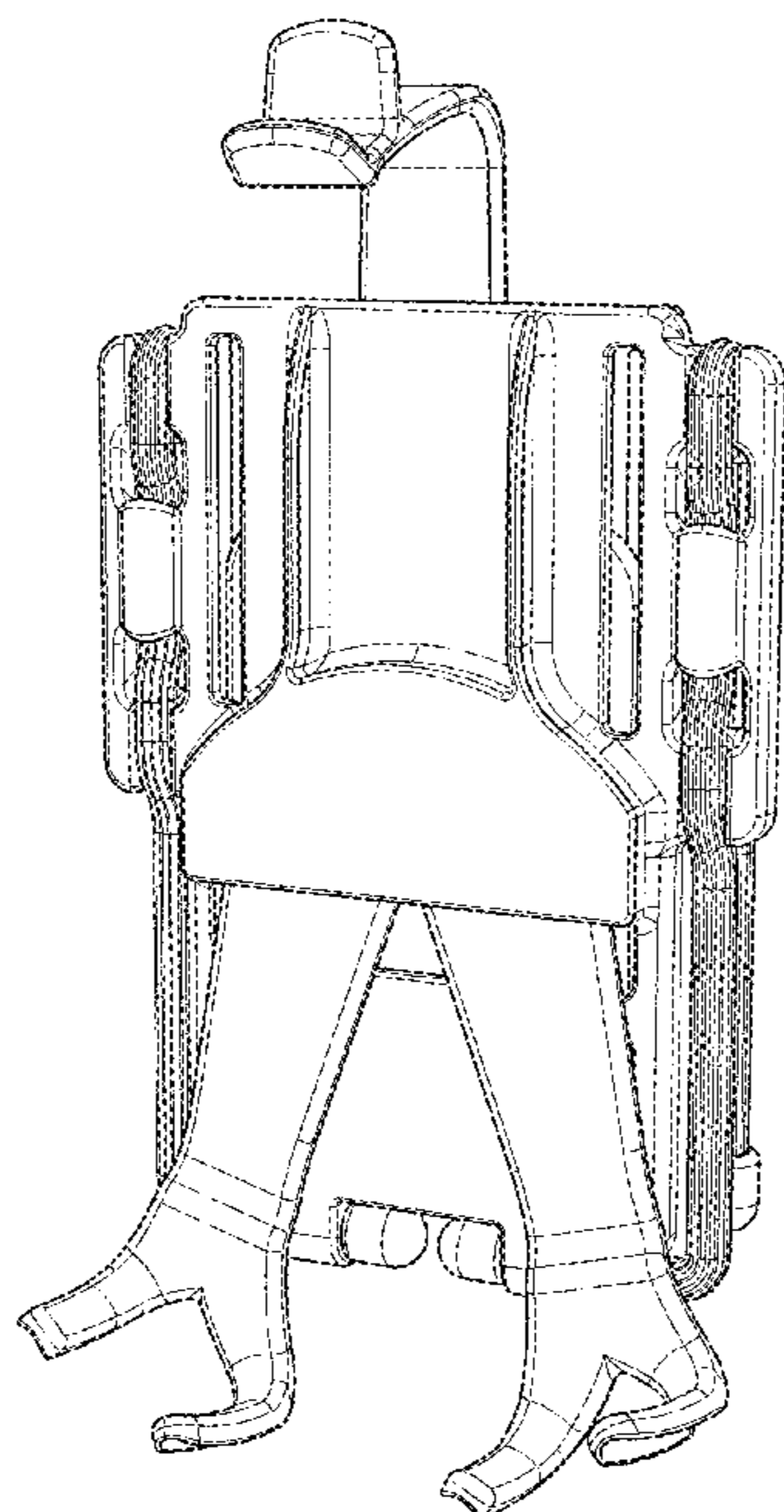
(57) **CLAIM**

The ornamental design for a mountable electronic device holder, as shown and described.

DESCRIPTION

FIG. 1 is a front perspective view of a mountable electronic device holder;
FIG. 2 is a rear perspective view of the mountable electronic device holder of FIG. 1;
FIG. 3 is a front view of the mountable electronic device holder of FIG. 1;
FIG. 4 is a rear view of the mountable electronic device holder of FIG. 1;
FIG. 5 is a left view of the mountable electronic device holder of FIG. 1;
FIG. 6 is a right view of the mountable electronic device holder of FIG. 1;
FIG. 7 is a top view of the mountable electronic device holder of FIG. 1; and,
FIG. 8 is a bottom view of the mountable electronic device holder of FIG. 1.

1 Claim, 6 Drawing Sheets



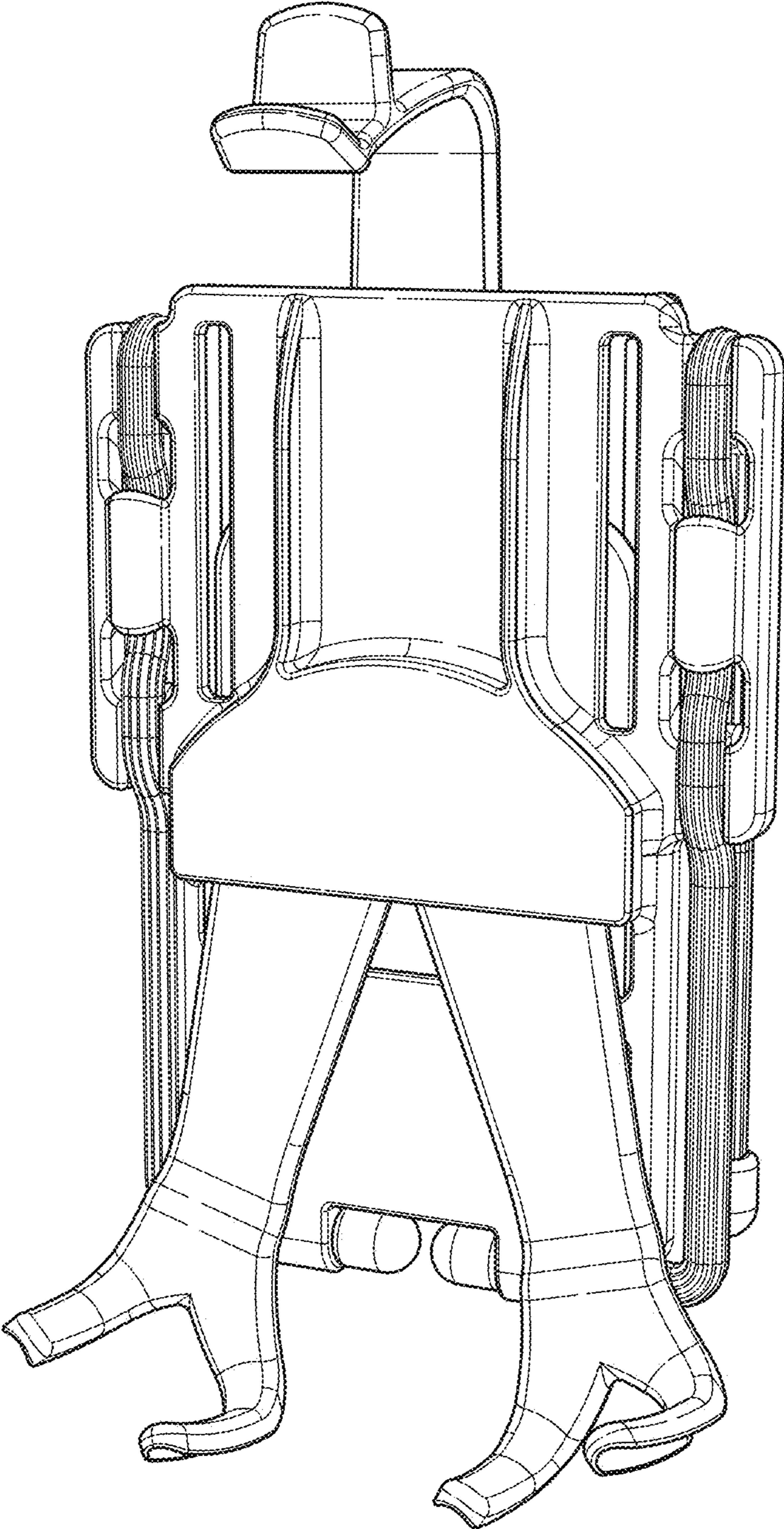


FIG. 1

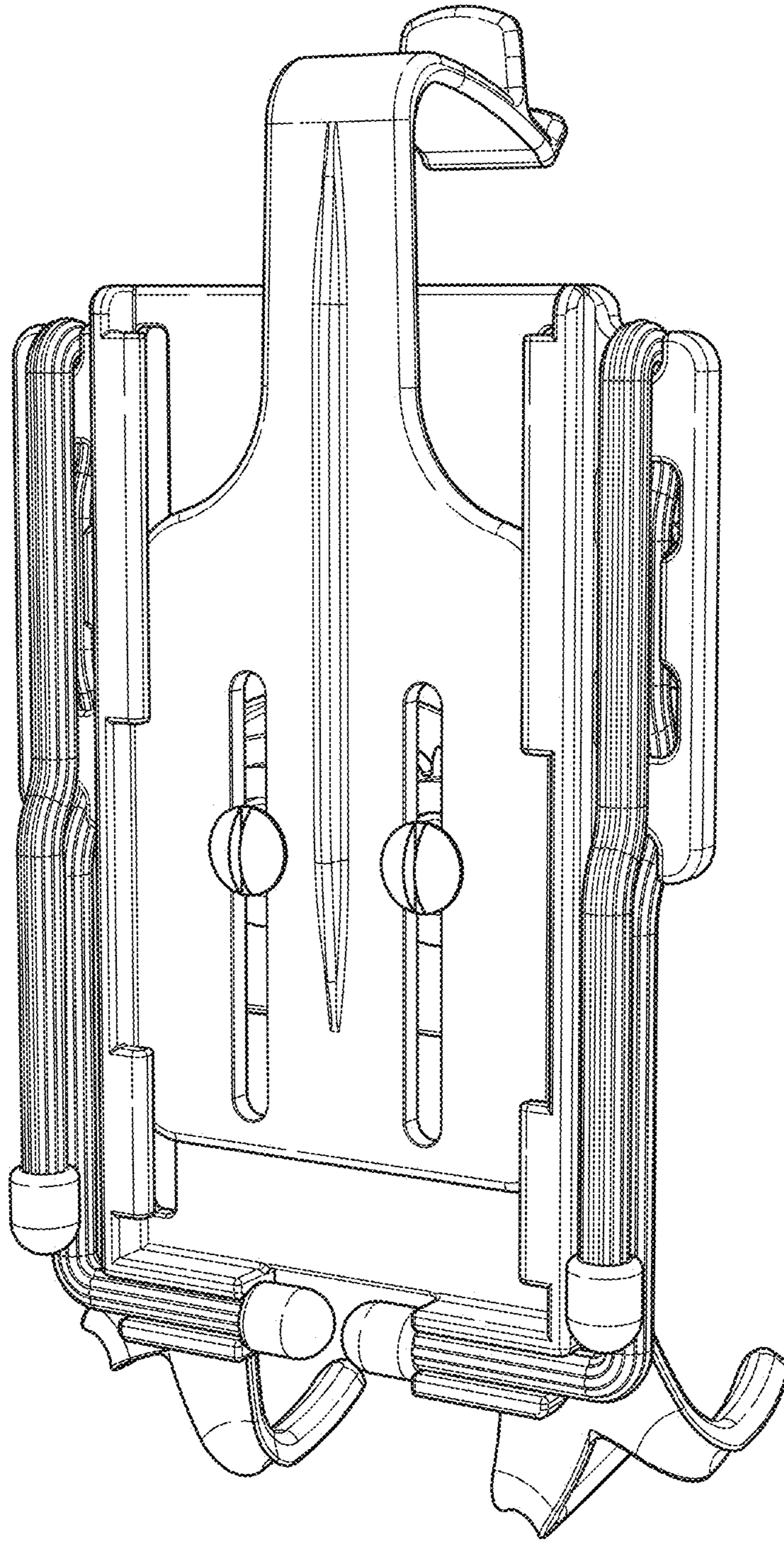


FIG. 2

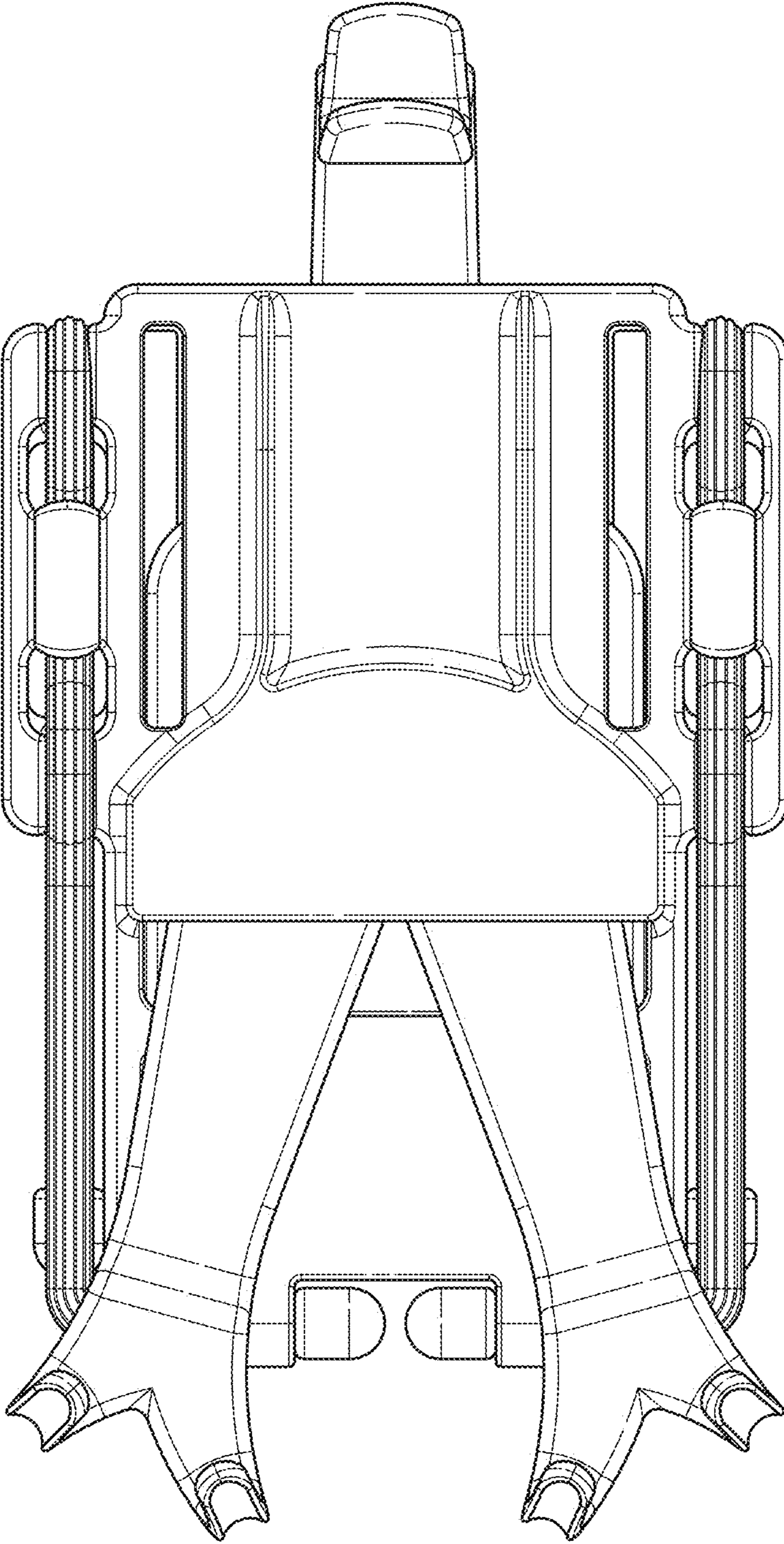


FIG. 3

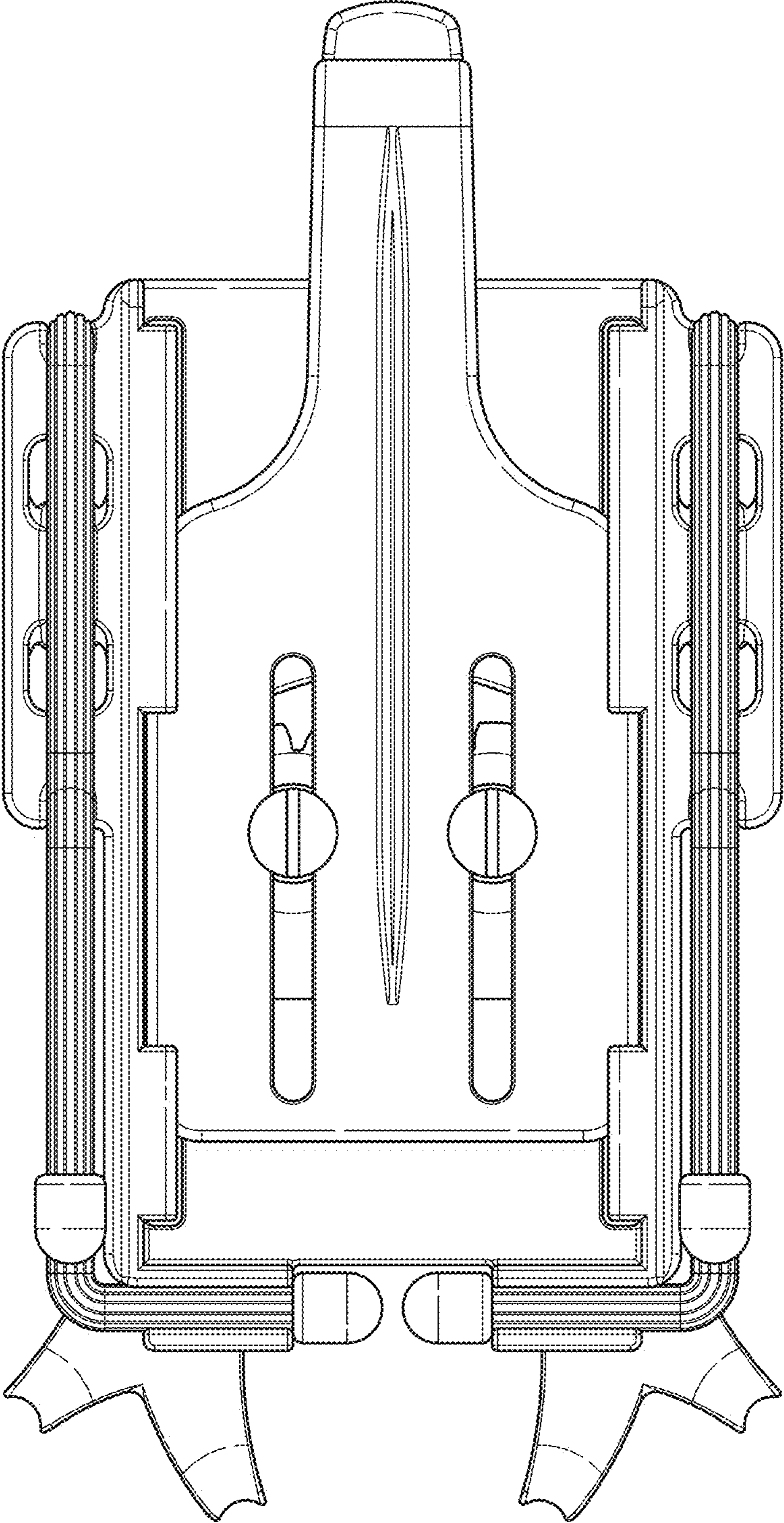


FIG. 4

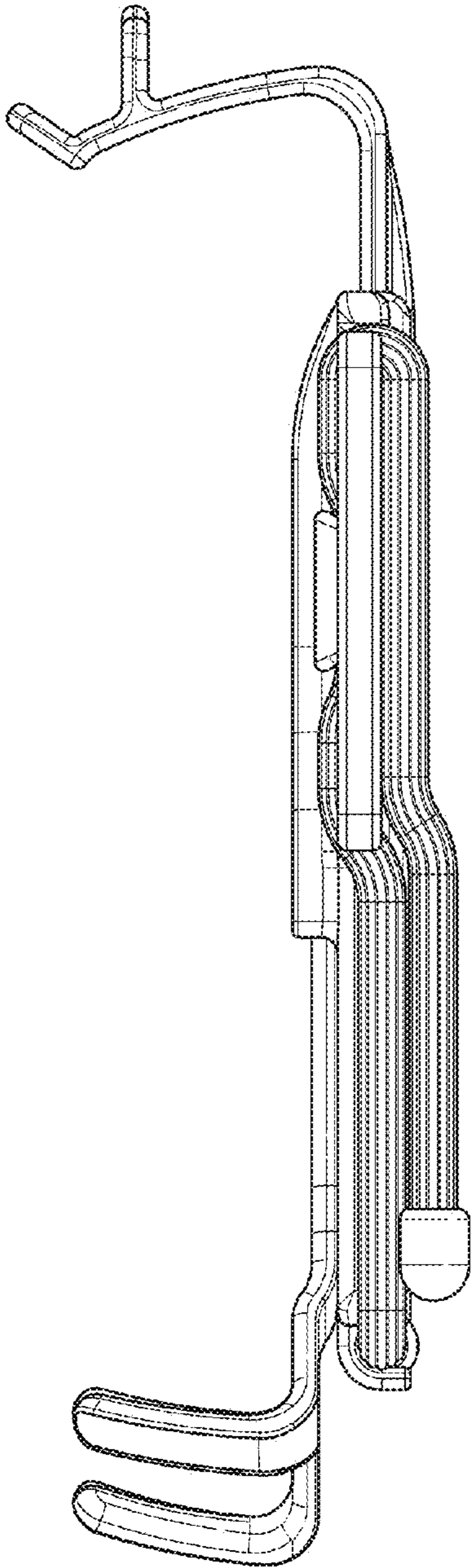


FIG. 5

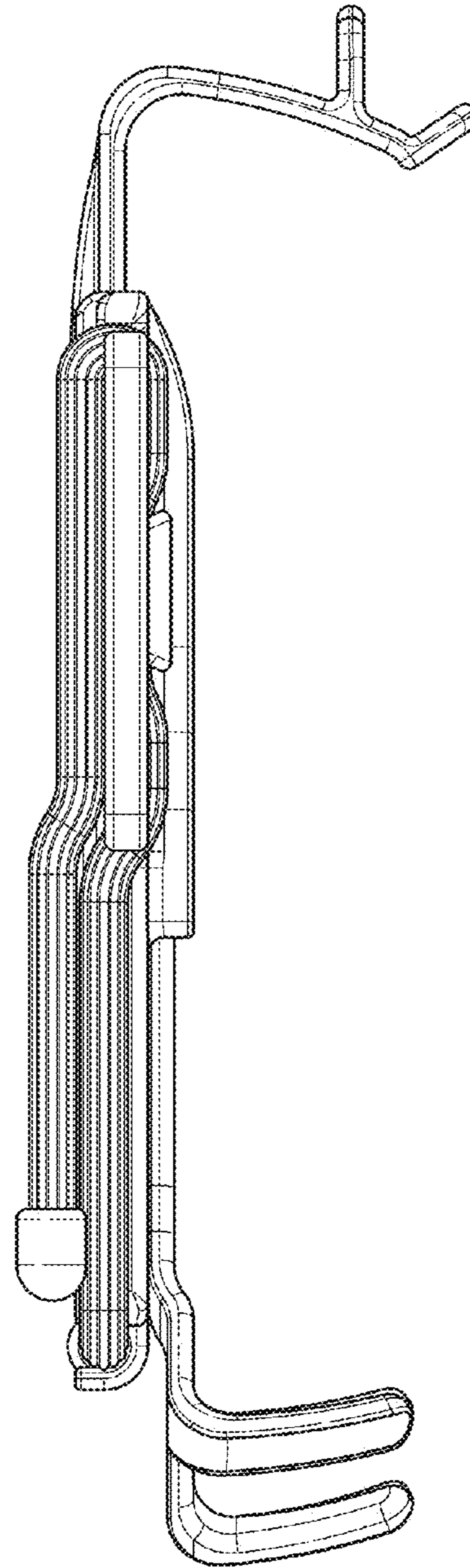


FIG. 6

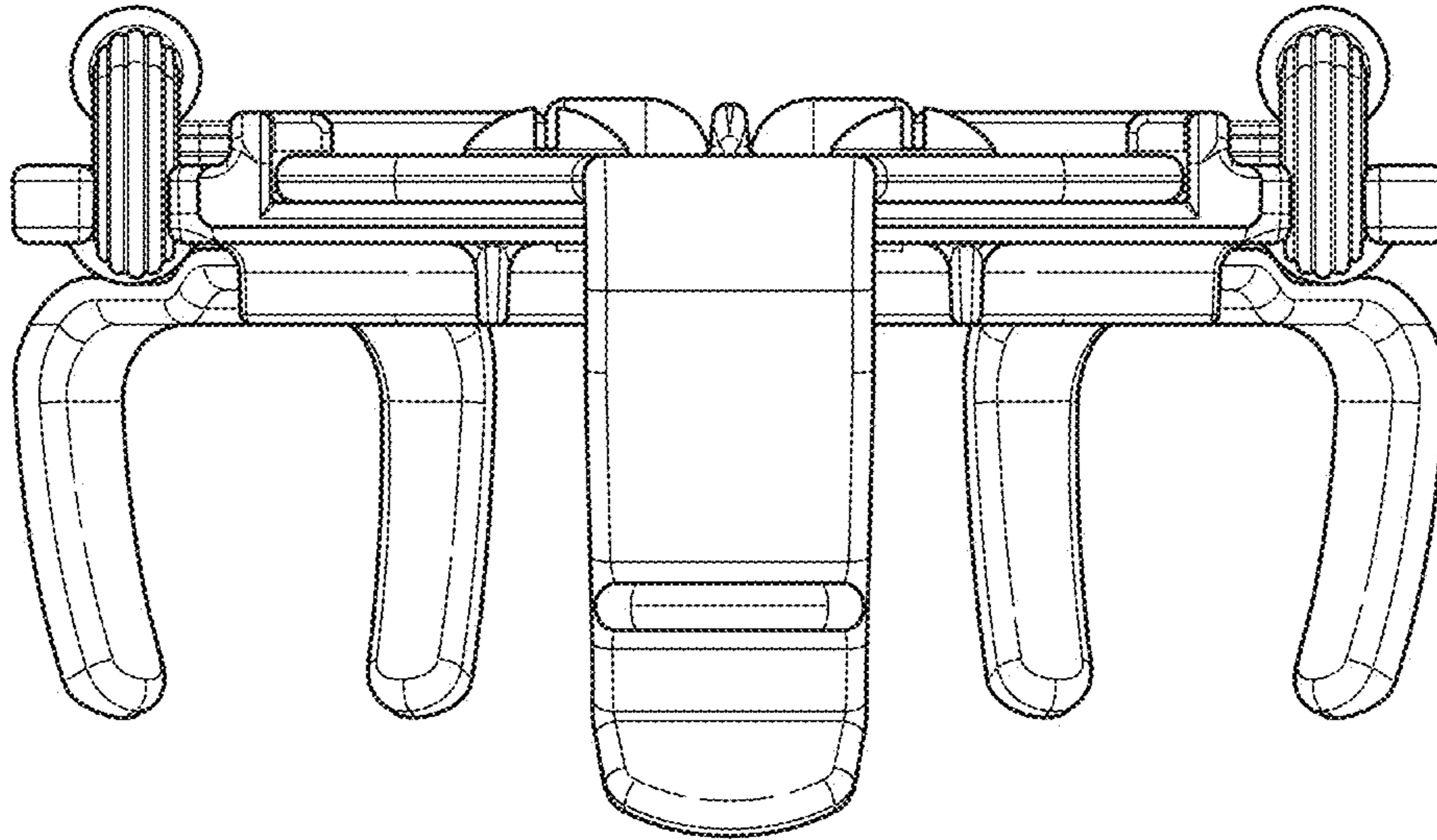


FIG. 7

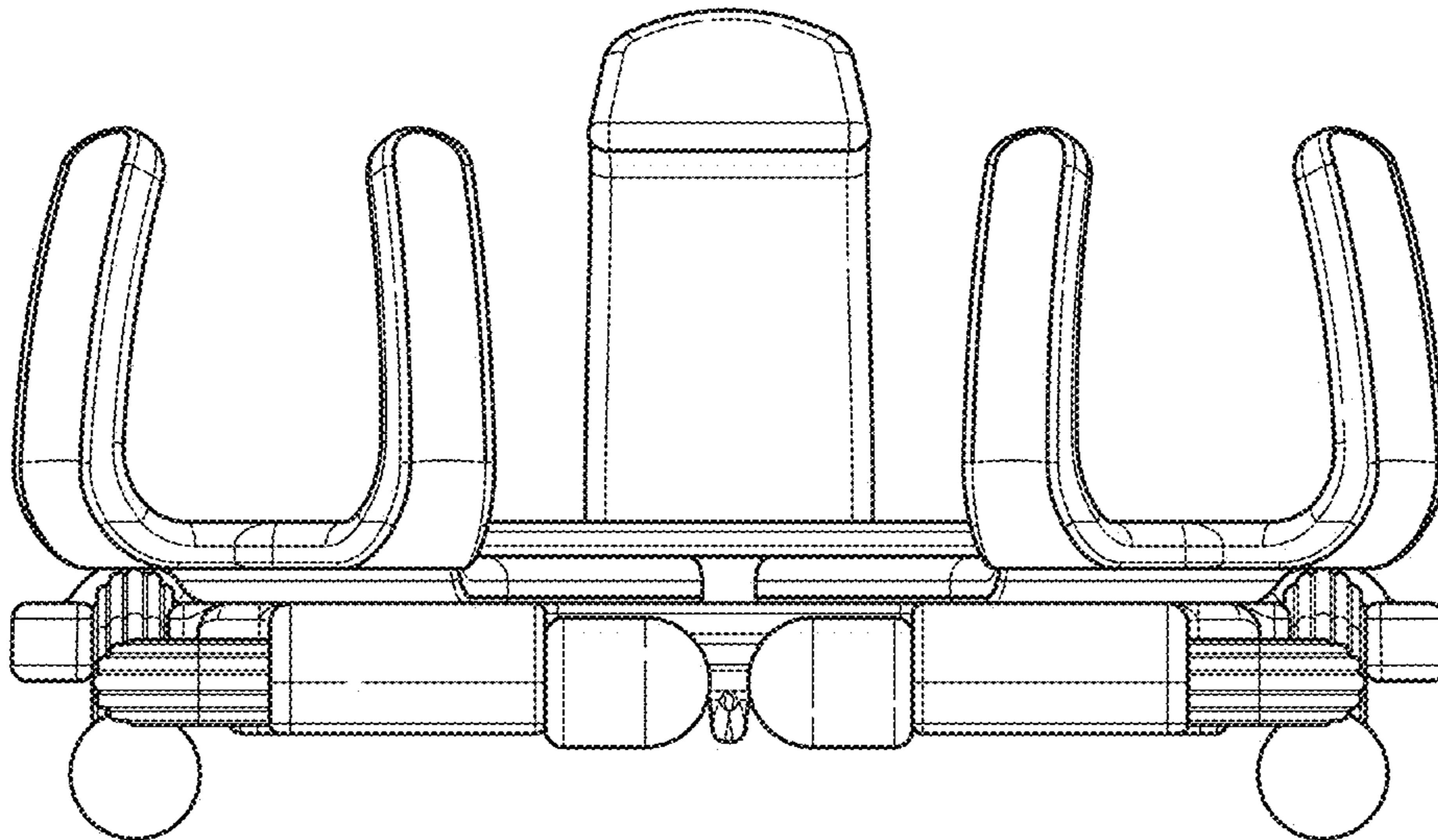


FIG. 8