

US00D697512S

(12) **United States Design Patent**
Akana et al.

(10) **Patent No.:** **US D697,512 S**
(45) **Date of Patent:** **** Jan. 14, 2014**

(54) **COVER**

(71) Applicant: **Apple Inc.**, Cupertino, CA (US)

(72) Inventors: **Jody Akana**, San Francisco, CA (US); **Bartley K. Andre**, Palo Alto, CA (US); **Jeremy Bataillou**, San Francisco, CA (US); **Daniel J. Coster**, San Francisco, CA (US); **Daniele De Iuliis**, San Francisco, CA (US); **M. Evans Hankey**, San Francisco, CA (US); **Julian Hoenig**, San Francisco, CA (US); **Richard P. Howarth**, San Francisco, CA (US); **Jonathan P. Ive**, San Francisco, CA (US); **Duncan Robert Kerr**, San Francisco, CA (US); **Shin Nishibori**, Kailua, HI (US); **Matthew Dean Rohrbach**, San Francisco, CA (US); **Peter Russell-Clarke**, San Francisco, CA (US); **Christopher J. Stringer**, Woodside, CA (US); **Eugene Antony Whang**, San Francisco, CA (US); **Rico Zörkendörfer**, San Francisco, CA (US)

(73) Assignee: **Apple Inc.**, Cupertino, CA (US)

(**) Term: **14 Years**

(21) Appl. No.: **29/455,191**

(22) Filed: **May 17, 2013**

Related U.S. Application Data

(63) Continuation of application No. 29/432,296, filed on Sep. 14, 2012, now Pat. No. Des. 682,838, which is a continuation of application No. 29/418,778, filed on Apr. 20, 2012, now Pat. No. Des. 671,948, which is a continuation of application No. 29/375,197, filed on Sep. 17, 2010, now Pat. No. Des. 658,186, application No. 29/455,191, which is a continuation of application No. 29/425,618, filed on Jun. 25, 2012, now Pat. No. Des. 682,836, which is a continuation of application No. 29/384,903, filed on Feb. 4, 2011, now Pat. No. Des. 663,304, which is a continuation-in-part of

application No. 29/375,197, filed on Sep. 17, 2010, now Pat. No. Des. 658,186.

(51) **LOC (10) Cl.** **14-02**

(52) **U.S. Cl.**
USPC **D14/440**

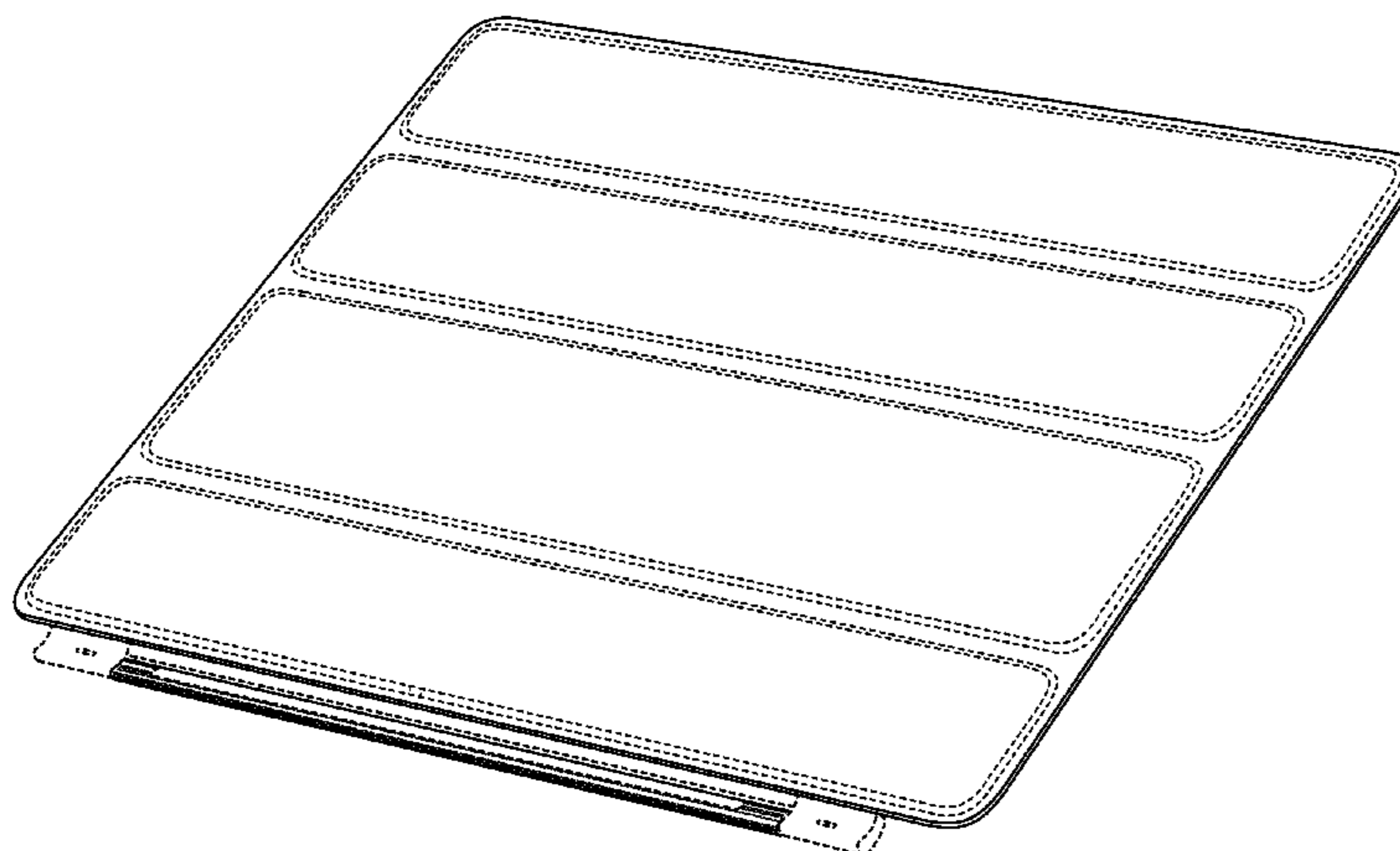
(58) **Field of Classification Search**
USPC D14/439, 440, 345, 341-344, 346, 371, D14/125-129, 327, 248; 206/320, 576, 305, 206/215, 232, 524, 425, 472, 224, 312, 206/387.13, 307, 387.1, 756; D3/286, 283, D3/295, 273, 303, 247, 215, 245, 232, 900, D3/249, 201, 276, 294, 301, 319, 203.1, D3/323, 227; 224/929; 708/110; 190/109, 190/100, 119, 901; 361/683, 725, 681, 686, 361/679; 229/87.5, 67.1, 800; 220/522, 220/4.23; 345/169, 104, 156, 168, 173, 345/179, 672, 174; 150/147, 135; 402/2, 402/70-79, 500-502; 281/45, 38, 31, 29, 281/19.1, 34; D19/3, 26, 27, 33, 75, 86, 22, D19/90, 59, 60, 78, 83; D18/7, 17, 18; 383/97, 4, 110; 178/18.03, 18.01; 349/12; 428/332; D6/632, 407, 596, D6/601, 310, 611, 502, 583, 582, 595; 248/458; D13/102, 184; D20/18, 27, D20/42; 40/654.01, 536

See application file for complete search history.

(56) **References Cited**

U.S. PATENT DOCUMENTS

D265,561	S	*	7/1982	Cottrell	D14/448
4,416,375	A	*	11/1983	Braverman et al.	206/534.1
4,693,495	A		9/1987	LaPointe		
4,787,766	A		11/1988	Lorsch		
D306,438	S	*	3/1990	Garmon et al.	D14/440
D312,835	S		12/1990	Holm		
D313,964	S		1/1991	Fuller		
5,000,319	A		3/1991	Mermelstein		
D332,697	S		1/1993	Schildkraut		
D341,373	S		11/1993	Stern		
5,480,192	A		1/1996	Angerbauer et al.		
D369,998	S		5/1996	Eskandry		
D370,177	S		5/1996	Bankier		
D389,353	S		1/1998	Patel		
D389,509	S		1/1998	Yasoshima		
D393,875	S		4/1998	Brooks		



US D697,512 S

Page 2

D401,092	S	11/1998	Patel	
5,887,723	A	3/1999	Myles et al.	
5,996,778	A *	12/1999	Shih	206/45.2
D418,867	S	1/2000	Platte, III	
6,388,872	B1 *	5/2002	Liao et al.	361/679.34
6,646,672	B2	11/2003	Feierbach	
D485,837	S *	1/2004	Tseng et al.	D14/345
D493,288	S	7/2004	Van Diepen	
6,887,486	B2	5/2005	Gregoire	
7,037,021	B2	5/2006	Raschke	
D533,347	S	12/2006	Andre et al.	
7,227,741	B2 *	6/2007	Garel et al.	361/679.27
7,236,357	B2 *	6/2007	Chen	361/679.55
D560,383	S	1/2008	Woods	
D574,385	S *	8/2008	Koh et al.	D14/440
D574,836	S *	8/2008	Koh et al.	D14/440
D584,612	S	1/2009	Ianello	
D600,699	S	9/2009	Johnston et al.	
D604,727	S	11/2009	Chu et al.	
D605,940	S	12/2009	Lin	
D613,982	S	4/2010	Wilson et al.	
D616,930	S	6/2010	Engel et al.	
D643,433	S *	8/2011	Hsieh et al.	D14/440
D658,186	S *	4/2012	Akana et al.	D14/440
D658,187	S *	4/2012	Diebel	D14/440
D658,188	S *	4/2012	Diebel	D14/440
D662,100	S *	6/2012	Van Den Nieuwenhuizen et al.	D14/440
D663,304	S *	7/2012	Akana et al.	D14/440
2003/0104036	A1 *	6/2003	Gregoire	424/443
2005/0087274	A1 *	4/2005	Ouyang	150/154
2005/0246851	A1	11/2005	Cline	
2006/0103272	A1 *	5/2006	Chen et al.	312/223.2
2007/0014079	A1 *	1/2007	Chen	361/679
2007/0279855	A1 *	12/2007	Linsmeier et al.	361/683
2008/0167095	A1	7/2008	Kim et al.	
2008/0174946	A1 *	7/2008	Chen et al.	361/683
2009/0159763	A1 *	6/2009	Kim	248/174
2011/0162987	A1 *	7/2011	Bekele	206/320
2012/0147541	A1 *	6/2012	Chen et al.	361/679.21

FOREIGN PATENT DOCUMENTS

AU	308301	S	8/2006
GB	2006240		9/1990
GB	2033244		8/1993
GB	4018481		5/2011

OTHER PUBLICATIONS

Case-Parts, "Original Targus Folding Genuine Leather Case for Apple iPad with Built-in Holder," <http://www.case-parts.com/details/Original-Targus-Folding-Genuine-Leather-Case-for-Apple-iPad-with-Built-in-Holder-IPAD-570/photos.htm>, 3 pages, Mar. 2011.

Incase, "Introducing the Convertible Magazine Jacket for iPad," goincase.com, accessed at <http://goincase.com/blog/2010/11/23/introducing-the-convertible-magazine-jacket-for-ipad/>, posted Nov. 23, 2010, 7 pages.

* cited by examiner

Primary Examiner — Susan Moon Lee

(74) *Attorney, Agent, or Firm* — Sterne, Kessler, Goldstein & Fox PLLC

(57)

CLAIM

The ornamental design for a cover, as shown and described.

DESCRIPTION

FIG. 1 is a front perspective view of a cover showing our new design;

FIG. 2 is a rear perspective view thereof;

FIG. 3 is a front view thereof;

FIG. 4 is a rear view thereof;

FIG. 5 is a bottom view thereof;

FIG. 6 is a top view thereof; and,

FIG. 7 is a side view thereof, the opposite side being a mirror image thereof.

Broken lines and portions contained within broken line are not claimed.

The shade lines in the Figures show contour and not surface ornamentation.

1 Claim, 6 Drawing Sheets

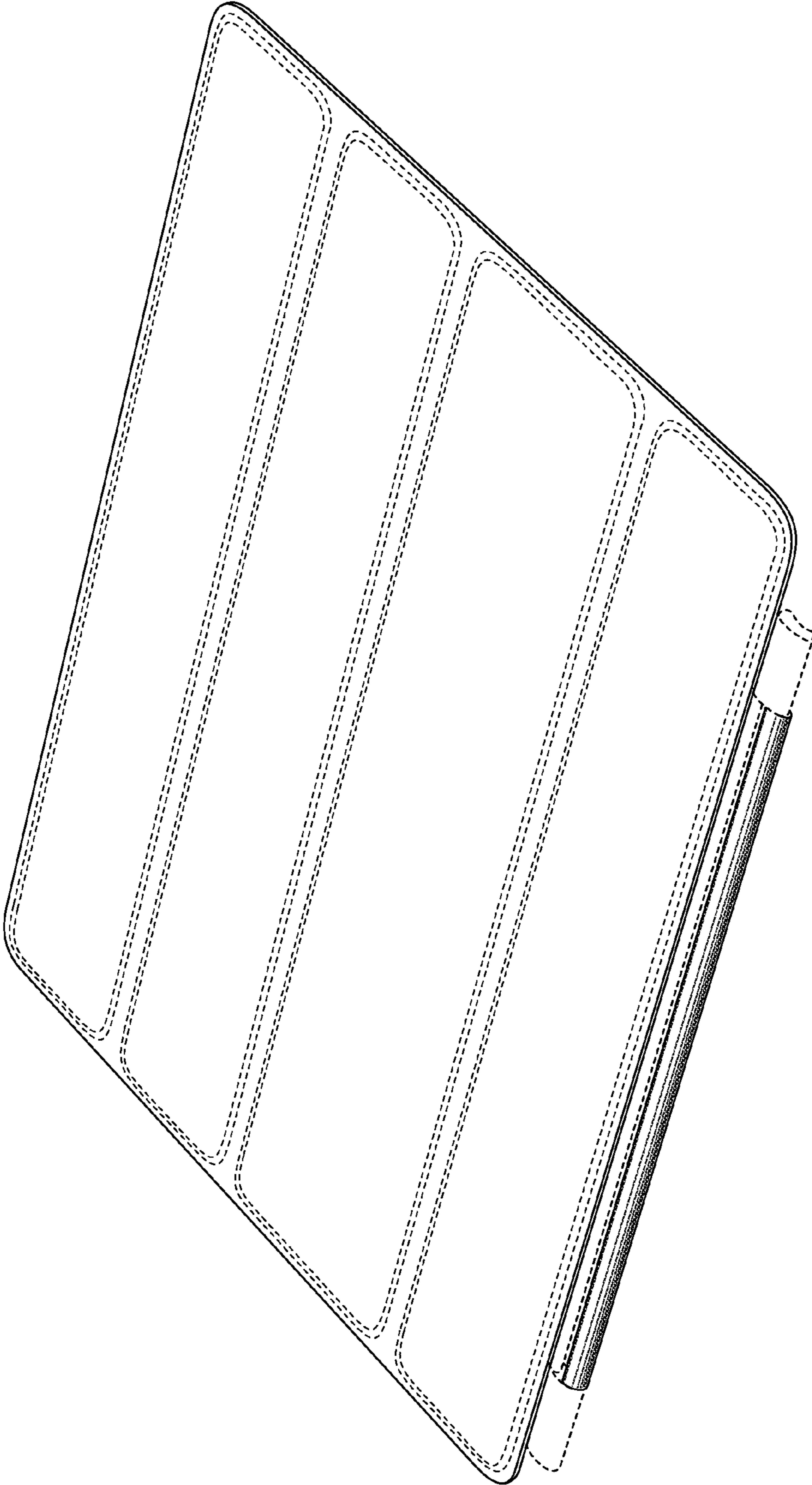


FIG. 1

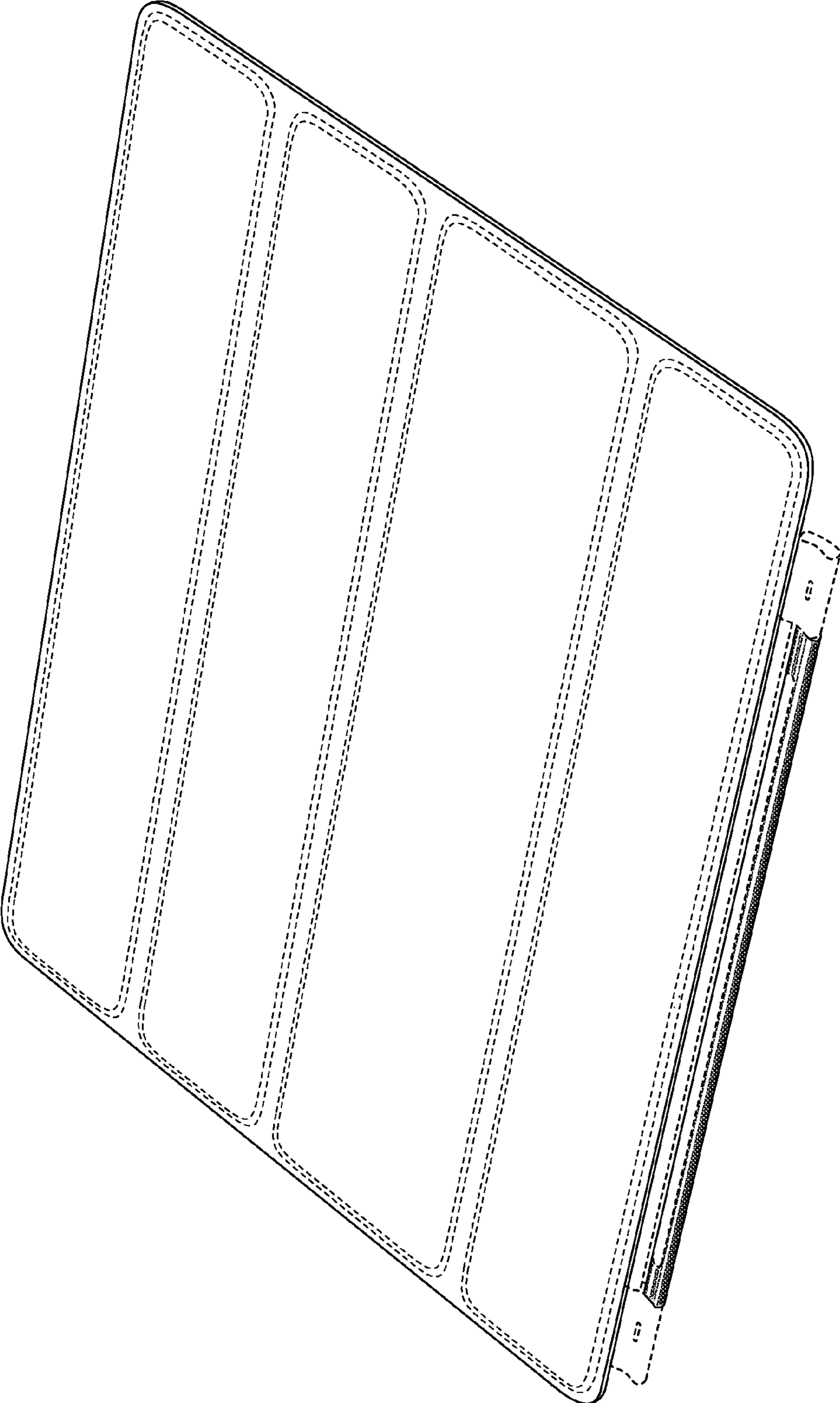


FIG. 2

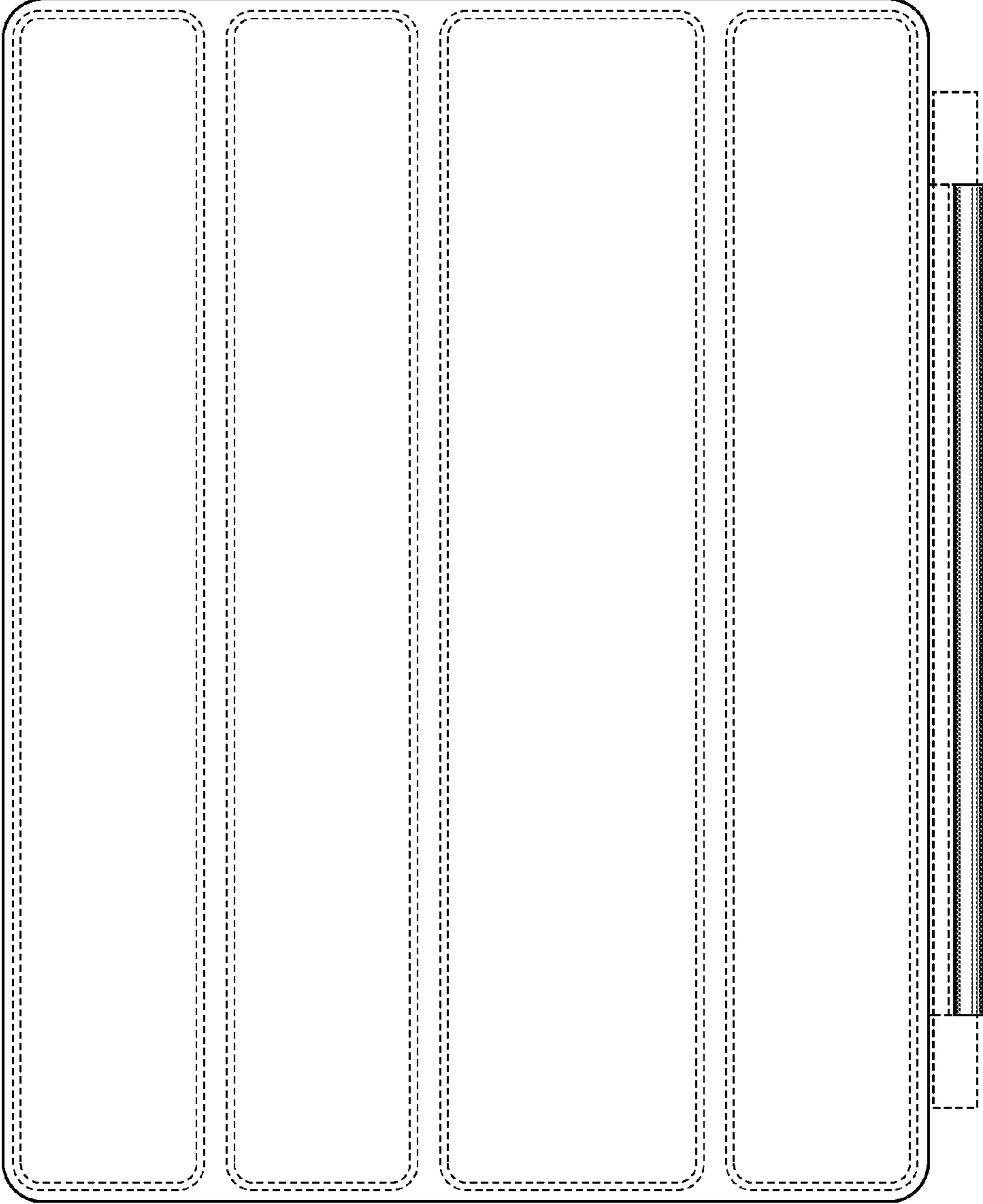


FIG. 3

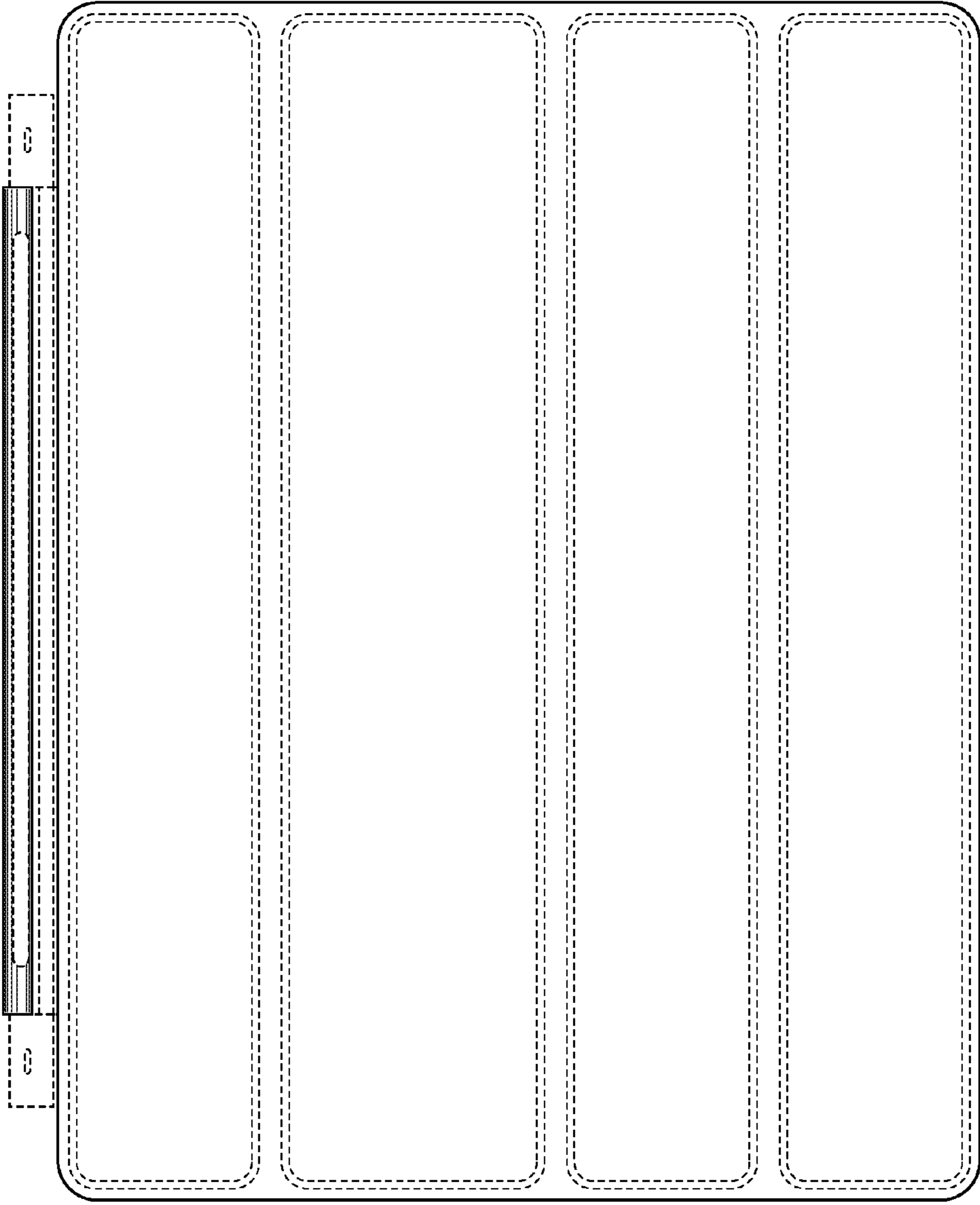


FIG. 4



FIG. 5



FIG. 6



FIG. 7