



US00D697511S

(12) **United States Design Patent**
Andre et al.

(10) **Patent No.:** **US D697,511 S**
(45) **Date of Patent:** **** *Jan. 14, 2014**

(54) **DISPLAY MODULE FOR AN ELECTRONIC DEVICE**

(75) Inventors: **Bartley K. Andre**, Palo Alto, CA (US); **Daniel J. Coster**, San Francisco, CA (US); **Daniele De Iuliis**, San Francisco, CA (US); **Richard Hung Minh Dinh**, San Jose, CA (US); **Phillip M. Hobson**, Menlo Park, CA (US); **Richard P. Howarth**, San Francisco, CA (US); **Jonathan P. Ive**, San Francisco, CA (US); **Kenneth Arthur Jenks**, Capitola, CA (US); **Steve Jobs**, Palo Alto, CA (US); **Duncan Robert Kerr**, San Francisco, CA (US); **Adam Duckworth Mittleman**, San Francisco, CA (US); **Shin Nishibori**, Kailua, CA (US); **Matthew Dean Rohrbach**, San Francisco, CA (US); **Douglas B. Satzger**, Menlo Park, CA (US); **Calvin Q. Seid**, Palo Alto, CA (US); **Vincent Keane Seid**, legal representative, Los Gatos, CA (US); **Christopher J. Stringer**, Woodside, CA (US); **Tang Yew Tan**, San Francisco, CA (US); **Erik Li Wang**, Redwood City, CA (US); **Eugene Antony Whang**, San Francisco, CA (US); **Rico Zorkendorfer**, San Francisco, CA (US)

(73) Assignee: **Apple Inc.**, Cupertino, CA (US)

(*) Notice: This patent is subject to a terminal disclaimer.

(**) Term: **14 Years**

(21) Appl. No.: **29/380,125**

(22) Filed: **Nov. 30, 2010**

Related U.S. Application Data

(60) Continuation of application No. 11/821,329, filed on Jun. 21, 2007, now Pat. No. 7,889,139, and a continuation of application No. 29/364,190, filed on Jun. 21, 2010, now Pat. No. Des. 634,319, which is a continuation of application No. 29/332,683, filed on Feb. 23, 2009, now Pat. No. Des. 618,678, which is a division of application No. 29/282,831, filed on Jul.

30, 2007, now abandoned, which is a continuation of application No. 29/270,887, filed on Jan. 5, 2007, now Pat. No. Des. 580,387.

(51) **LOC (10) Cl.** **14-02**

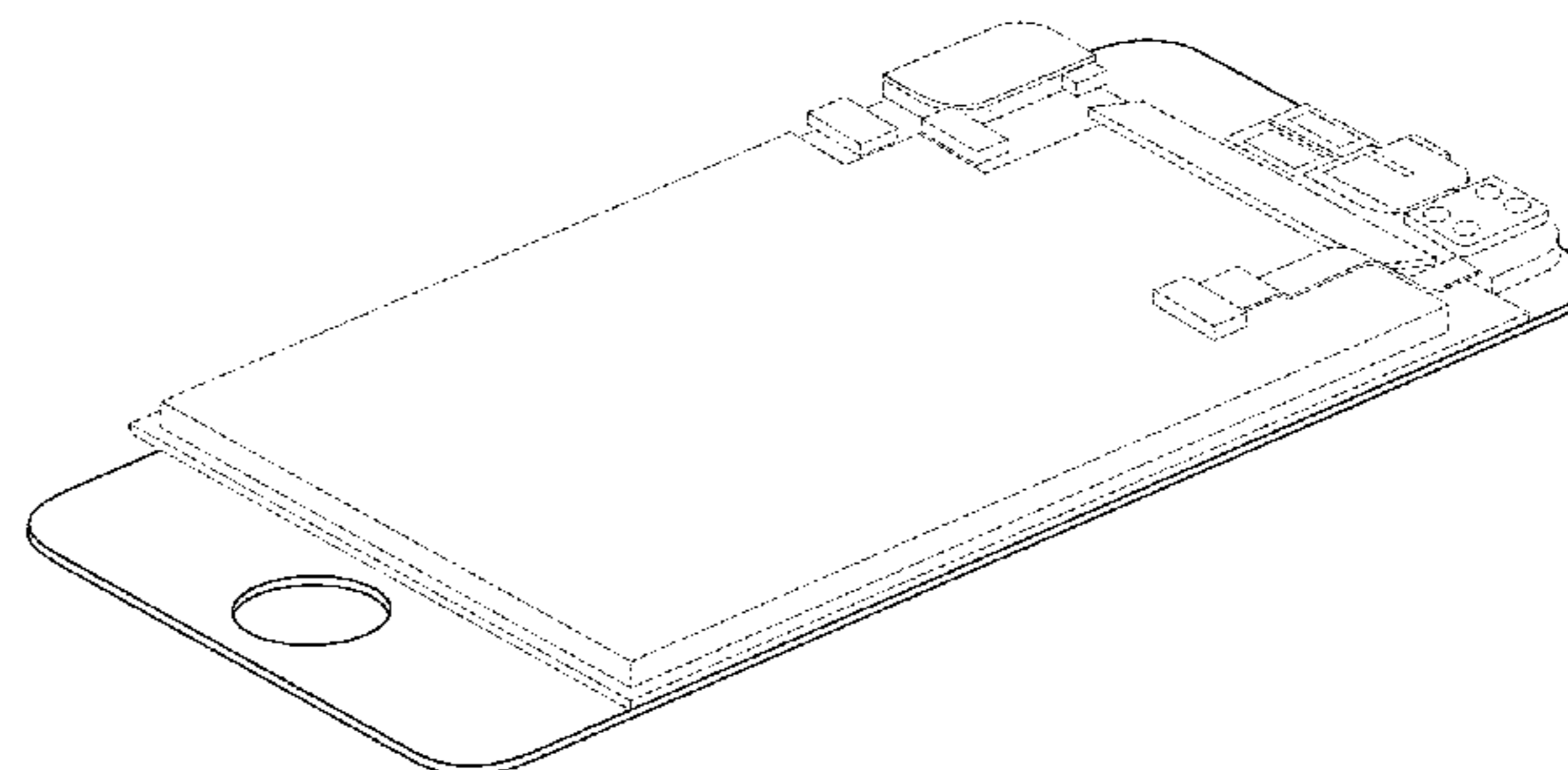
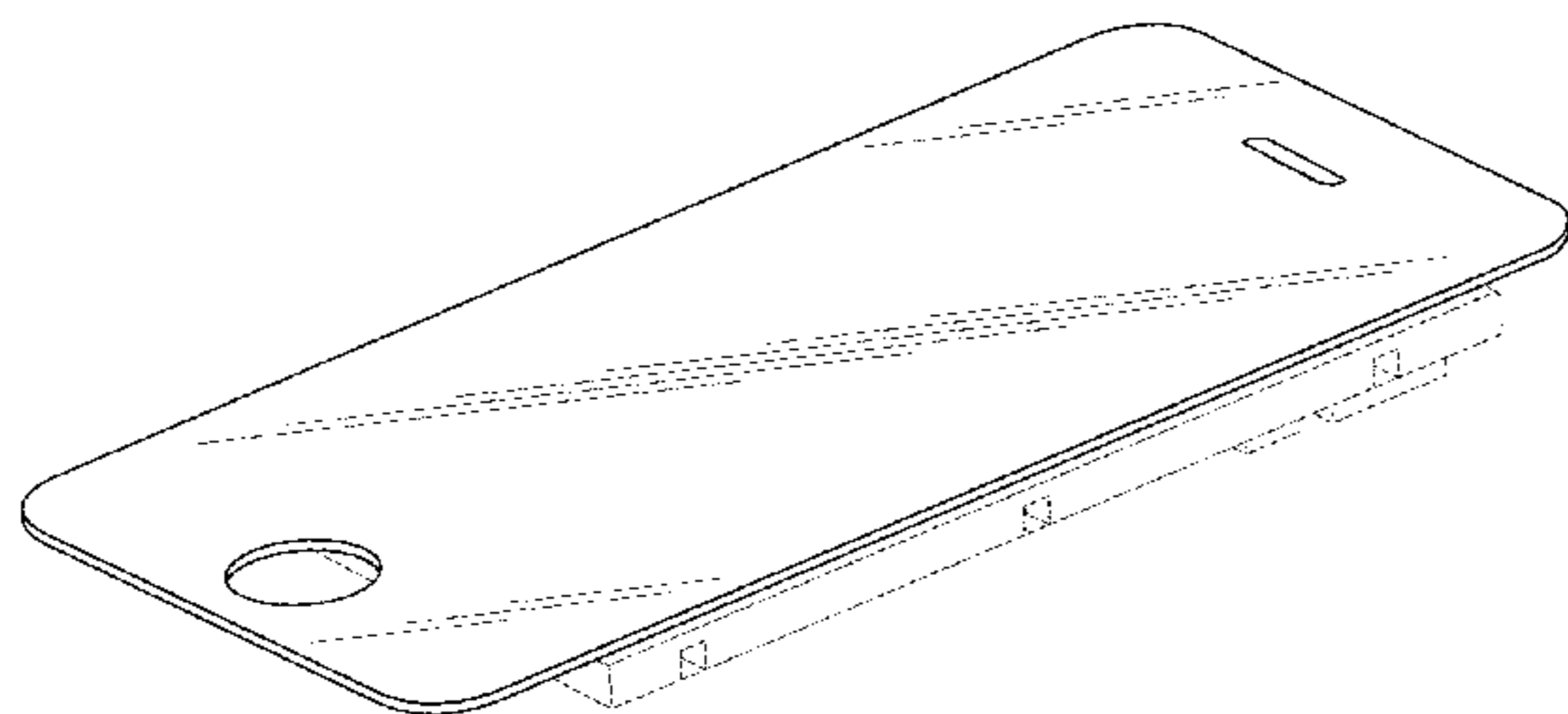
(52) **U.S. Cl.**
USPC **D14/439**

(58) **Field of Classification Search**
USPC D14/341-347, 424, 425, 432-453, 464, D14/468, 469, 471, 496, 511, 138 AA, D14/138 AD, 138 C, 138 G, 203.1-203.8, D14/217, 238.1, 248, 250, 257, 299; 361/679.01, 679.02, 679.03, 679.3, 361/679.55, 679.56; 455/550.1, 556.1, 455/556.2, 575.1, 575.3-575.5, 575.8, 90.3
See application file for complete search history.

(56) **References Cited**

U.S. PATENT DOCUMENTS

D306,583 S	3/1990	Krolopp et al.	
D337,569 S	7/1993	Kando	
D489,071 S *	4/2004	Nishioka et al.	D14/448
D489,072 S *	4/2004	Nishioka et al.	D14/448
D489,073 S *	4/2004	Nishioka et al.	D14/448
D489,074 S *	4/2004	Nishioka et al.	D14/448
D498,754 S	11/2004	Blyth	
D500,037 S *	12/2004	Ozolins et al.	D14/375
D504,889 S	5/2005	Andre et al.	
D528,542 S	9/2006	Luminosu et al.	
D534,143 S	12/2006	Lheem	
7,181,256 B2	2/2007	Hyun et al.	
7,236,357 B2 *	6/2007	Chen	361/679.55
7,303,424 B2	12/2007	Tu et al.	
D558,726 S	1/2008	Wang et al.	
D560,192 S	1/2008	Lee et al.	
D560,683 S	1/2008	Lee	
D561,782 S	2/2008	Kim	
D563,432 S *	3/2008	Kim	D14/496
D567,819 S	4/2008	Devericks et al.	
7,409,059 B2	8/2008	Fujisawa	
D580,387 S	11/2008	Andre et al.	
D581,385 S	11/2008	Park et al.	
D581,922 S	12/2008	Andre et al.	
D583,346 S	12/2008	Jung et al.	
D586,387 S	2/2009	Aznoe et al.	
D593,087 S	5/2009	Andre et al.	
D600,690 S *	9/2009	Miyaji	D14/341
D602,014 S	10/2009	Andre et al.	



D602,015	S	10/2009	Andre et al.	
D602,486	S *	10/2009	Andre et al.	D14/341
D602,488	S	10/2009	Jiang et al.	
D606,129	S *	12/2009	Ben-Moshe	D21/517
7,660,560	B2 *	2/2010	Zuo et al.	455/90.3
D613,735	S	4/2010	Andre et al.	
D613,736	S *	4/2010	Andre et al.	D14/341
7,697,281	B2 *	4/2010	Dabov et al.	361/679.55
D615,083	S *	5/2010	Andre et al.	D14/341
D616,875	S *	6/2010	Oh et al.	D14/240
D618,678	S	6/2010	Andre et al.	
D621,807	S *	8/2010	Stone	D14/138 AA
D622,270	S *	8/2010	Andre et al.	D14/341
D623,183	S *	9/2010	Hong et al.	D14/341
D625,307	S	10/2010	Cheng	
D626,937	S *	11/2010	Yeo et al.	D14/203.7
D629,772	S *	12/2010	Mo et al.	D14/138 G
D630,630	S *	1/2011	Andre et al.	D14/341
7,869,206	B2	1/2011	Dabov et al.	
7,876,274	B2	1/2011	Hobson et al.	
D633,460	S *	3/2011	Yi et al.	D14/138 G
D633,493	S	3/2011	Akana et al.	
D633,908	S	3/2011	Akana et al.	
D636,392	S *	4/2011	Akana et al.	D14/341
7,924,231	B2 *	4/2011	Hill et al.	343/702
D637,596	S *	5/2011	Akana et al.	D14/341
D638,814	S *	5/2011	Sutherland et al.	D14/138 G
D638,835	S *	5/2011	Akana et al.	D14/341
D639,261	S *	6/2011	Garnham et al.	D14/138 G
D640,219	S *	6/2011	Sutherland et al.	D14/138 G
D640,578	S *	6/2011	Aihara et al.	D10/65
D640,661	S *	6/2011	Hu et al.	D14/138 G
D640,663	S *	6/2011	Arnholt et al.	D14/138 G
D642,151	S *	7/2011	Chun et al.	D14/138 G
D642,563	S *	8/2011	Akana et al.	D14/341
D644,194	S *	8/2011	Joung et al.	D14/138 AD
D644,218	S *	8/2011	Akana et al.	D14/341
D645,833	S *	9/2011	Seflic et al.	D14/138 G
D647,106	S *	10/2011	Akana et al.	D14/496
D647,882	S *	11/2011	Kim et al.	D14/218
D648,704	S *	11/2011	Hofer et al.	D14/203.7
D649,150	S *	11/2011	Takahashi et al.	D14/341
D649,526	S *	11/2011	Hu	D14/203.7
D652,814	S *	1/2012	Choi et al.	D14/138 AD
8,102,319	B2 *	1/2012	Schlub et al.	343/702
8,106,836	B2 *	1/2012	Hill et al.	343/702
D653,640	S *	2/2012	Kwon et al.	D14/138 G
D653,642	S *	2/2012	Han	D14/138 AD
D654,461	S *	2/2012	Kim et al.	D14/138 AD
8,116,073	B2 *	2/2012	Hung et al.	361/679.28
D657,764	S *	4/2012	Hong	D14/138 G
D658,147	S *	4/2012	Yoon	D14/138 G
D658,148	S *	4/2012	Park	D14/138 AD
D661,707	S	6/2012	Akana et al.	
D662,922	S *	7/2012	Akana et al.	D14/250
2004/0132499	A1	7/2004	Abe	
2004/0223004	A1	11/2004	Lincke et al.	
2005/0130715	A1	6/2005	Fujisawa	
2005/0233777	A1	10/2005	Twerdahl	
2006/0160411	A1 *	7/2006	Lai et al.	439/495
2006/0281501	A1 *	12/2006	Zuo et al.	455/575.1
2008/0024462	A1	1/2008	Kim et al.	
2009/0067141	A1 *	3/2009	Dabov et al.	361/753
2009/0245565	A1	10/2009	Mittleman et al.	
2009/0247244	A1	10/2009	Mittleman et al.	
2010/0277877	A1 *	11/2010	Dinh et al.	361/749
2011/0151945	A1 *	6/2011	Jiang et al.	455/575.1
2011/0164365	A1 *	7/2011	McClure et al.	361/679.3
2011/0164370	A1 *	7/2011	McClure et al.	361/679.26
2011/0188179	A1 *	8/2011	Myers et al.	361/679.01
2011/0216486	A1 *	9/2011	Ho et al.	361/679.01
2011/0255218	A1 *	10/2011	Pakula et al.	361/679.01
2012/0002352	A1 *	1/2012	Hsiung	361/679.01
2012/0044123	A1 *	2/2012	Rothkopf et al.	343/878
2012/0050988	A1 *	3/2012	Rothkopf et al.	361/688
2012/0051025	A1 *	3/2012	Jol et al.	361/818
2012/0073115	A1 *	3/2012	Filson et al.	29/592.1
2012/0087066	A1 *	4/2012	Leggett	361/679.01
2012/0092812	A1 *	4/2012	Lewis et al.	361/679.01

FOREIGN PATENT DOCUMENTS

EM	000317490-0001	3/2005
EM	000257621-0004	7/2005
EM	000569157-0005	8/2006
EM	000718770-0007	6/2007
JP	1009317	5/1998
JP	1159881 S	12/2002
JP	1188041 S	10/2003
JP	1241383 S	6/2005
JP	1241638 S	6/2005
JP	1280315 S	9/2006
KR	30-0418547	7/2006
KR	30-0452432	6/2007
TW	D139493	3/2011

OTHER PUBLICATIONS

Hagen, R., "iHolic portable mediaspeler," gadgetzone.nl, accessed at: [http://www.gadgetzone.nl/nieuws.php?id=3191&querya=IHOLIC_PORTABLE_MEDIASPELER\[1/10/2012_8:58:09_](http://www.gadgetzone.nl/nieuws.php?id=3191&querya=IHOLIC_PORTABLE_MEDIASPELER[1/10/2012_8:58:09_AM])

AM], Jan. 4, 2007.
 "Tinos PDA: Specs, reviews, and prices," Mobilewhack.com, accessed at: http://web.archive.org/web/20100722053426/http://www.mobilewhack.com/reviews/tinnos_pda.html, May 19, 2006.

"Document made available under the Patent Corporation Treaty (PCT)—Certified Copy of Priority Document JP Appl. No. 2004-290256," filed Oct. 1, 2004, World Intellectual Property Organization, Nov. 15, 2005.

Co-pending Application, U.S. Appl. No. 29/368,831, Inventors Akana et al., filed Aug. 30, 2010. (Not Published).

Co-pending U.S. Appl. No. 29/363,167, Inventors Jody Inventors Jody Akana et al., filed Jun. 5, 2010 (Not Published).

Co-pending U.S. Appl. No. 29/379,707, Inventors Jody Akana et al., filed Nov. 23, 2010 (Not Published).

Co-pending U.S. Appl. No. 29/354,599, Inventors Akana et al., filed Jan. 26, 2010 (Not Published).

Co-pending U.S. Appl. No. 29/379,722, Inventors Akana et al., filed Nov. 23, 2010 (Not Published).

HP Compaq Tablet PC TC1000, <http://www.hardwarezone.com.au/reviews/view.php?cid=45&id=533&pg=2>. Downloaded Apr. 20, 2010, 1 page. (Updated URL: http://2009.hardwarezone.com/img/data/articles/2002/533/Evo_JamesHand01.jpg).

* cited by examiner

Primary Examiner — Deanna L Pratt

(74) Attorney, Agent, or Firm — Sterne, Kessler, Goldstein & Fox PLLC

(57) CLAIM

The ornamental design for a display module for an electronic device, as shown and described.

DESCRIPTION

FIG. 1 is a bottom front perspective view of a display module for an electronic device showing our new design;
 FIG. 2 is a bottom rear perspective view thereof;
 FIG. 3 is a front view thereof;
 FIG. 4 is a rear view thereof;
 FIG. 5 is a left side view thereof;
 FIG. 6 is a right side view thereof;
 FIG. 7 is a top view thereof; and,
 FIG. 8 is a bottom view thereof.

The broken lines in the Figures show portions of the display module for an electronic device which form no part of the claimed design.

1 Claim, 6 Drawing Sheets

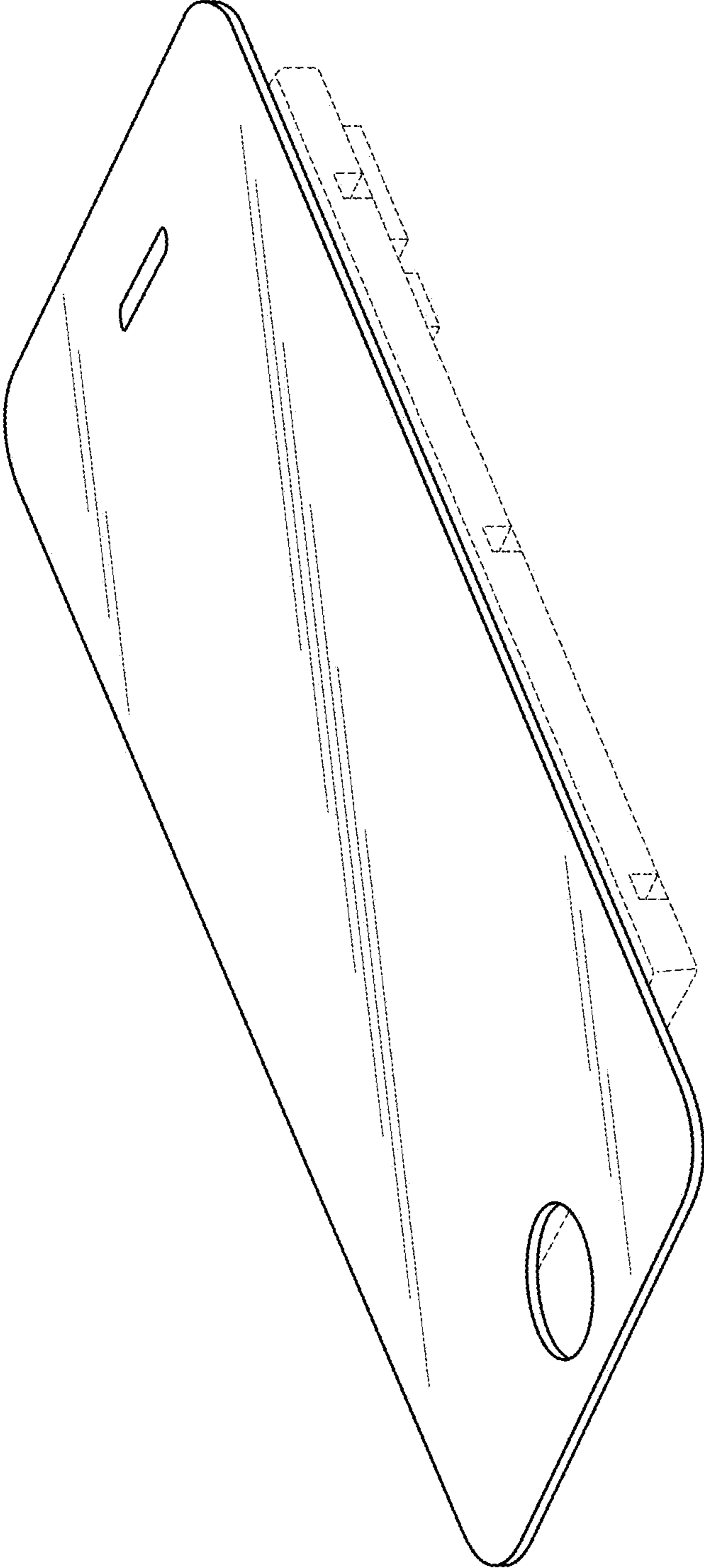


FIG. 1

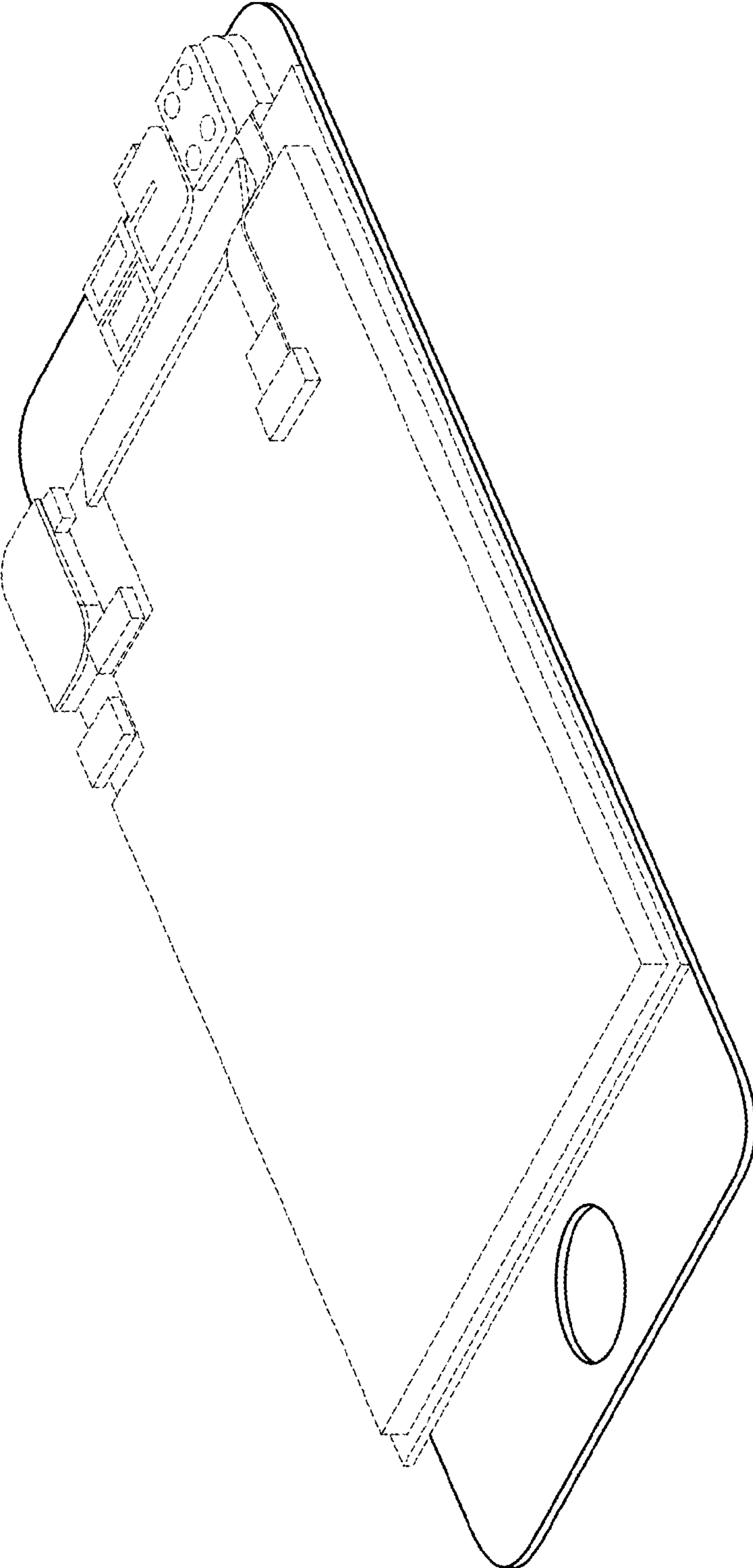


FIG. 2

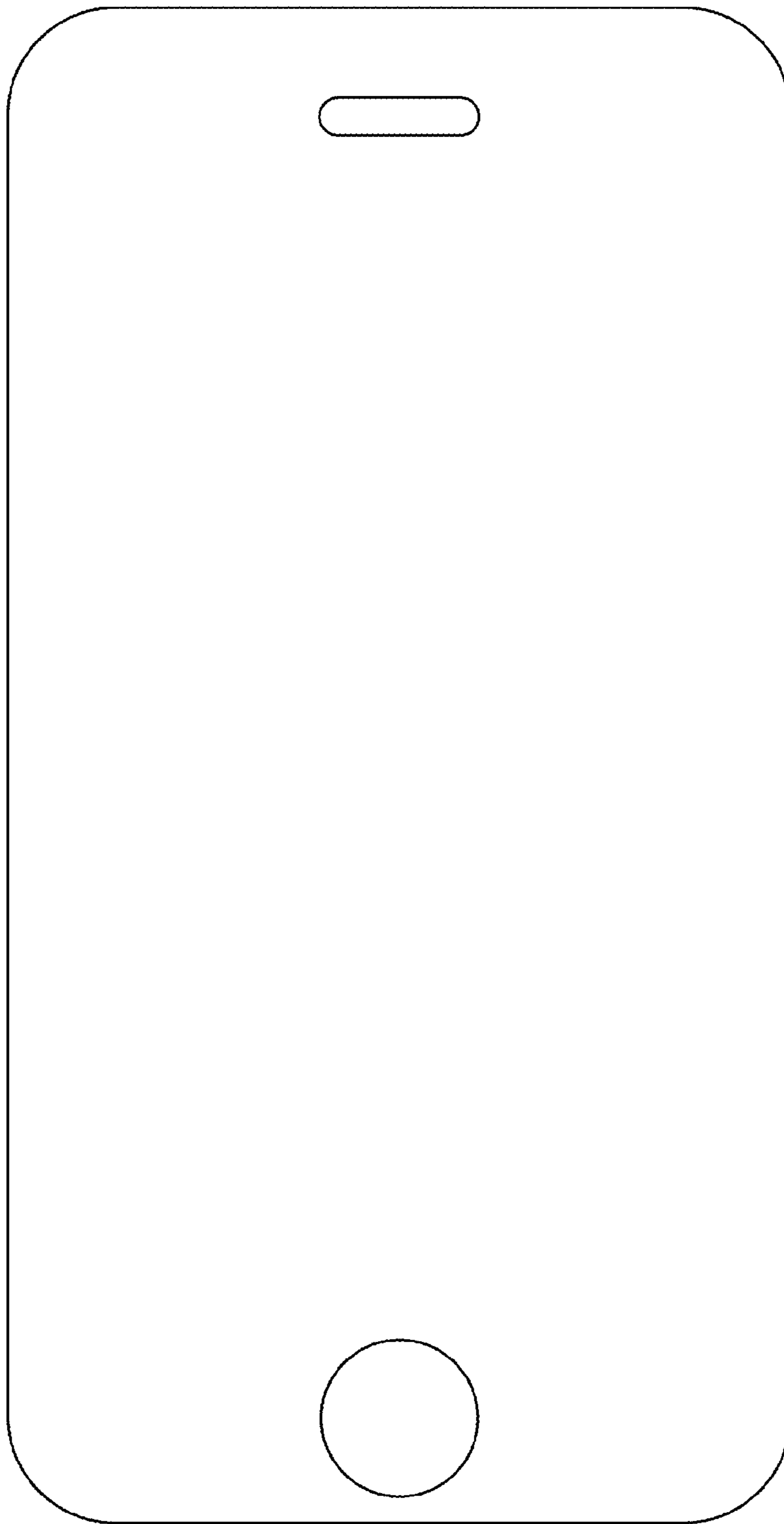


FIG. 3

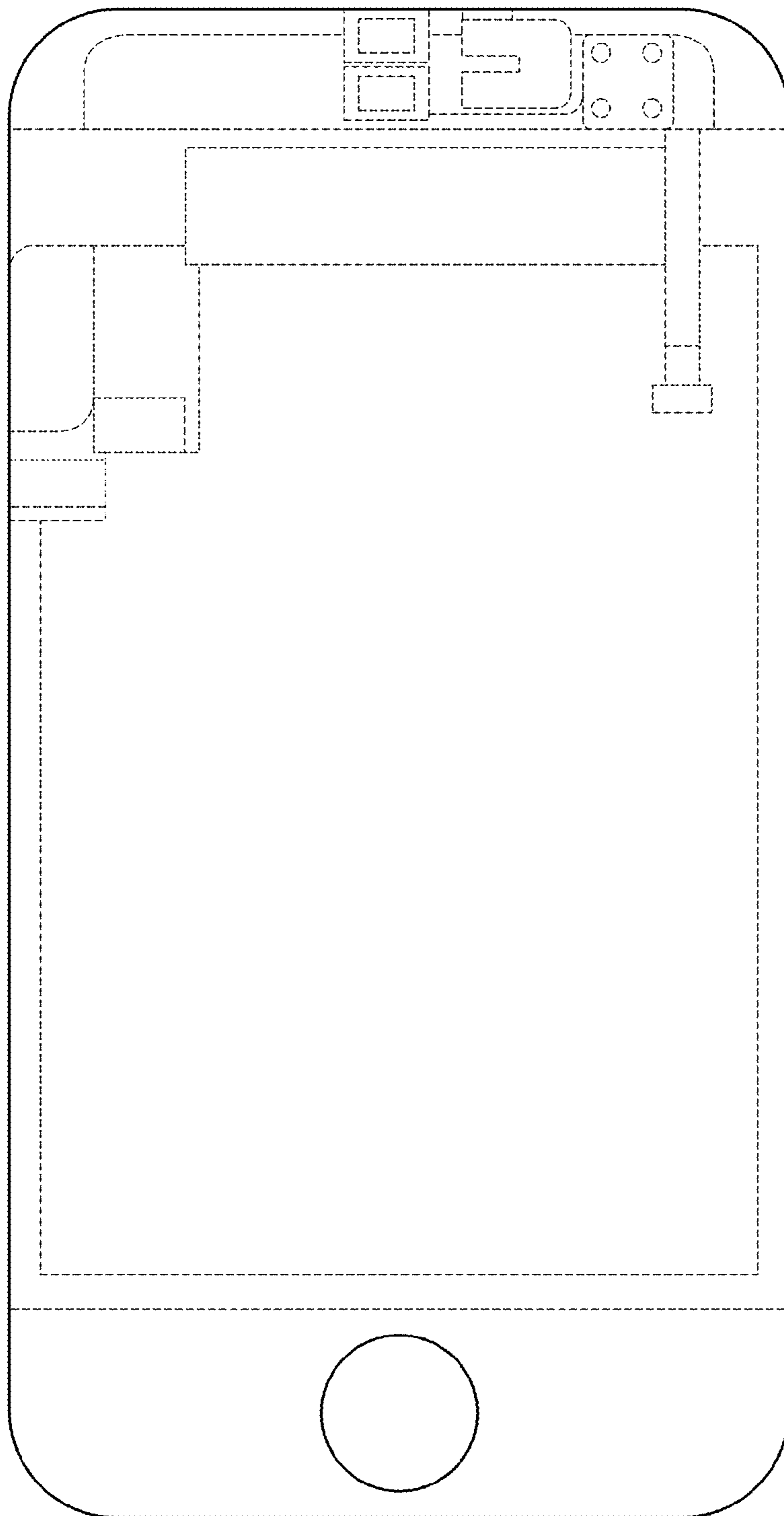


FIG. 4

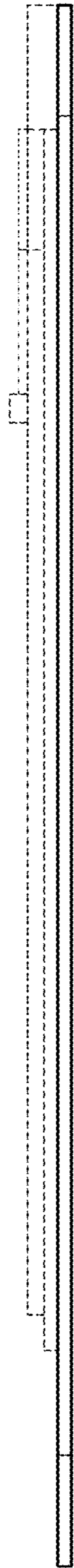


FIG. 5

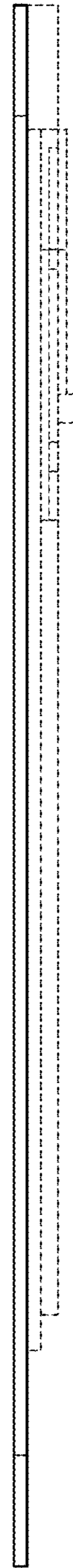


FIG. 6

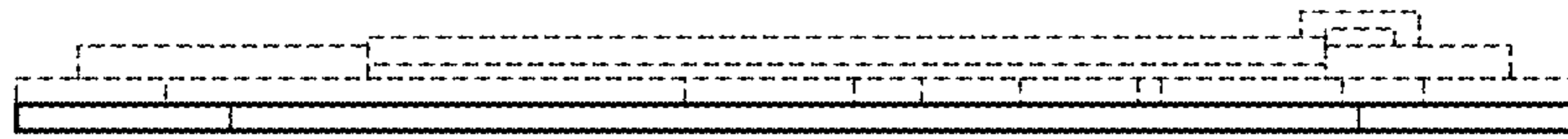


FIG. 7

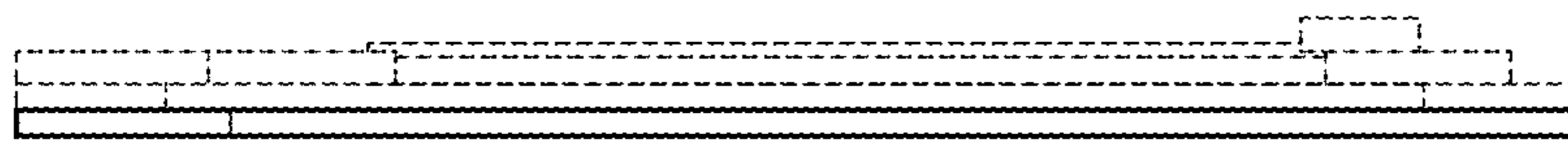


FIG. 8