



US00D697508S

(12) **United States Design Patent**
Hsu

(10) **Patent No.:** **US D697,508 S**
(45) **Date of Patent:** **** Jan. 14, 2014**

(54) **ELECTRONIC DEVICE**

(75) Inventor: **Po-Yen Hsu**, New Taipei (TW)

(73) Assignee: **Hon Hai Precision Industry Co., Ltd.**,
New Taipei (TW)

(**) Term: **14 Years**

(21) Appl. No.: **29/410,606**

(22) Filed: **Jan. 10, 2012**

(30) **Foreign Application Priority Data**

Dec. 20, 2011 (CN) 2011 3 0490181

(51) **LOC (10) Cl.** **14-02**

(52) **U.S. Cl.**
USPC **D14/345; D14/346**

(58) **Field of Classification Search**
USPC D14/341–347, 137, 138 AA, 138 R,
D14/138 C, 138 G, 496, 203.1, 203.3, 203.7,
D14/426, 129, 130, 420, 147, 218, 247–248,
D14/389, 388, 315–318; D10/65, 104.1;
D18/6–7; D21/324, 329, 330;
455/556.1, 556.2, 566, 575.1, 90.3;
379/433.04, 433.01, 433.06, 916;
345/173, 901, 905; 361/679.26,
361/679.27, 679.3, 679.55, 679.56,
361/680–686; 248/917–924; 348/373, 376
See application file for complete search history.

(56) **References Cited**

U.S. PATENT DOCUMENTS

5,255,214 A * 10/1993 Ma 361/679.06
5,900,848 A * 5/1999 Haneda et al. 345/1.1
6,825,415 B1 * 11/2004 Chen et al. 174/63
D561,137 S * 2/2008 Hsiung D14/129
D584,304 S * 1/2009 Lin D14/346

D621,827 S * 8/2010 Cheng et al. D14/327
D650,380 S * 12/2011 Ballout D14/331
8,203,832 B2 * 6/2012 Szabolcsi 361/679.06
D665,370 S * 8/2012 Chung D14/138 AD
D669,467 S * 10/2012 Ballout D14/336
8,312,991 B2 * 11/2012 Diebel et al. 206/45.24
D678,272 S * 3/2013 Groene et al. D14/345
D678,877 S * 3/2013 Groene et al. D14/341
D683,731 S * 6/2013 Chiu et al. D14/345
D691,603 S * 10/2013 Leonard et al. D14/316
2005/0052831 A1 * 3/2005 Chen 361/680
2006/0126284 A1 * 6/2006 Moscovitch 361/681
2008/0062625 A1 * 3/2008 Batio 361/680
2009/0201254 A1 * 8/2009 Rais 345/168
2012/0113579 A1 * 5/2012 Agata et al. 361/679.09
2012/0140396 A1 * 6/2012 Zelif et al. 361/679.09
2012/0262897 A1 * 10/2012 Hsu et al. 361/807

* cited by examiner

Primary Examiner — Barbara Fox

(74) *Attorney, Agent, or Firm* — Altis Law Group, Inc.

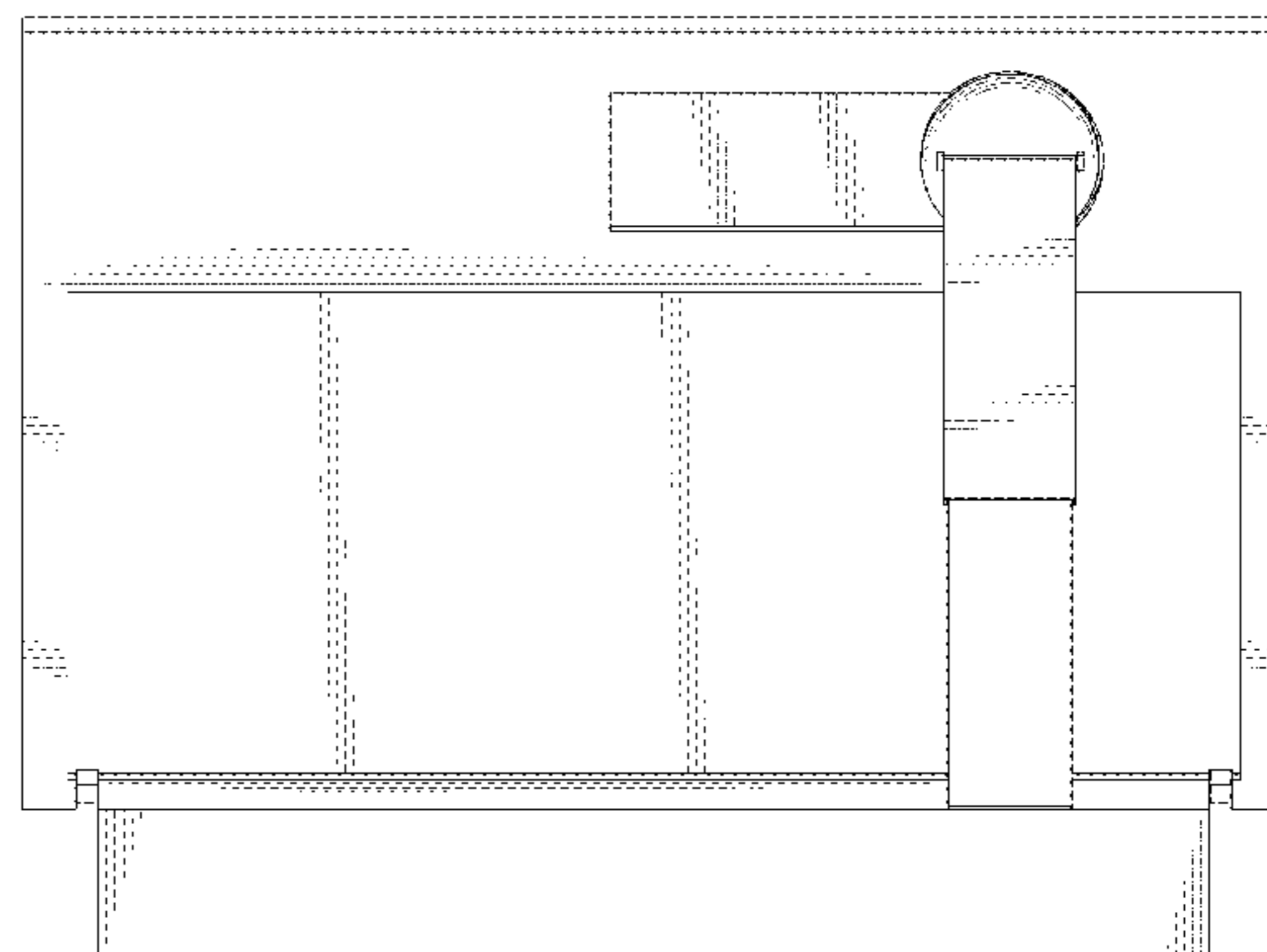
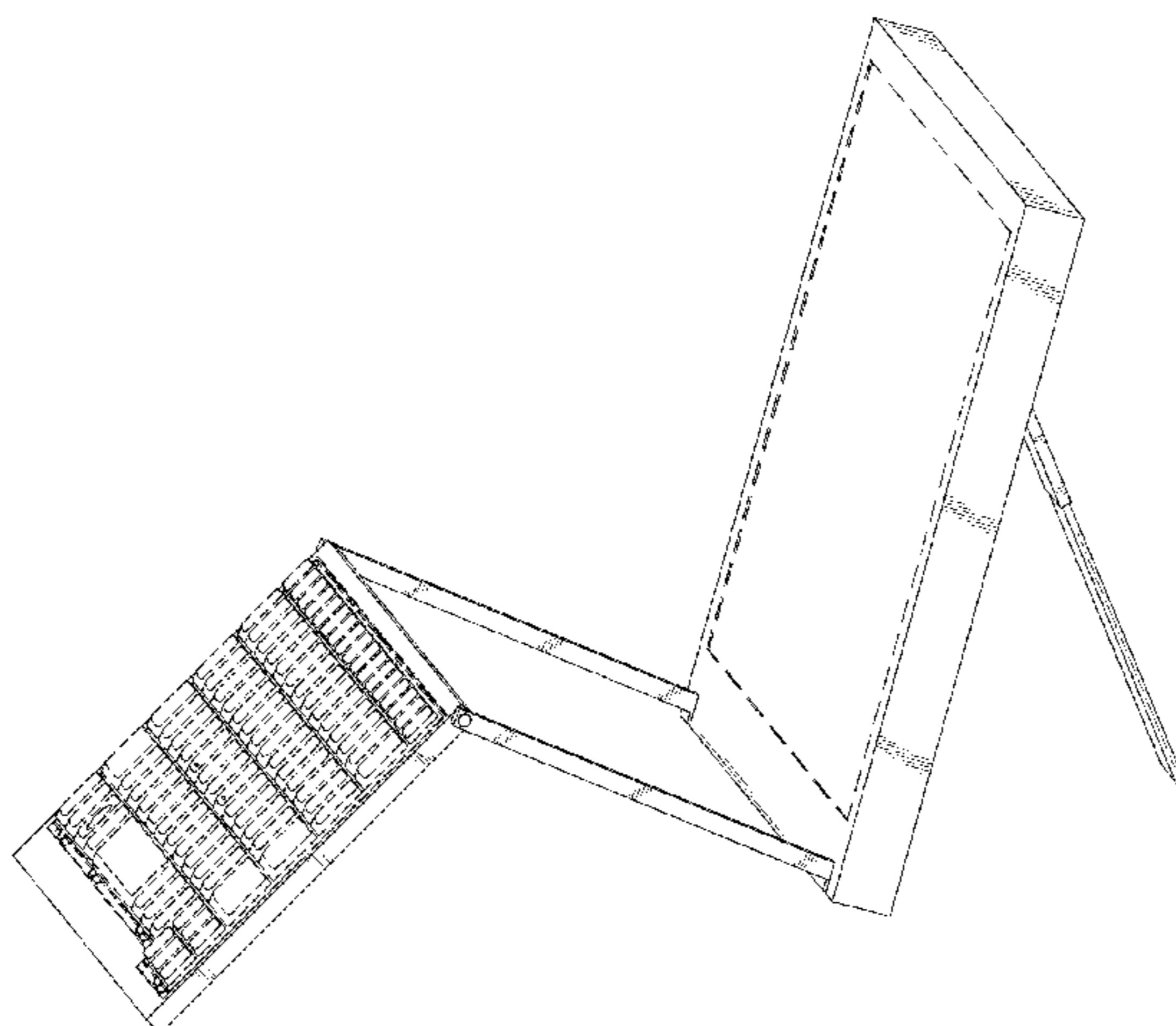
(57) **CLAIM**

The ornamental design for an electronic device, as shown and described.

DESCRIPTION

FIG. 1 is a perspective view of the electronic device showing our new design;
FIG. 2 is a front elevational view thereof;
FIG. 3 is a rear elevational view thereof;
FIG. 4 is a left side elevational view thereof;
FIG. 5 is a right side elevational view thereof;
FIG. 6 is a top plan view thereof;
FIG. 7 is a bottom plan view thereof; and,
FIG. 8 is a perspective view of the electronic device of FIG. 1, showing it in an alternate, folded position.
The broken lines shown in the drawings represent portions of the electronic device which form no part of the claimed design.

1 Claim, 8 Drawing Sheets



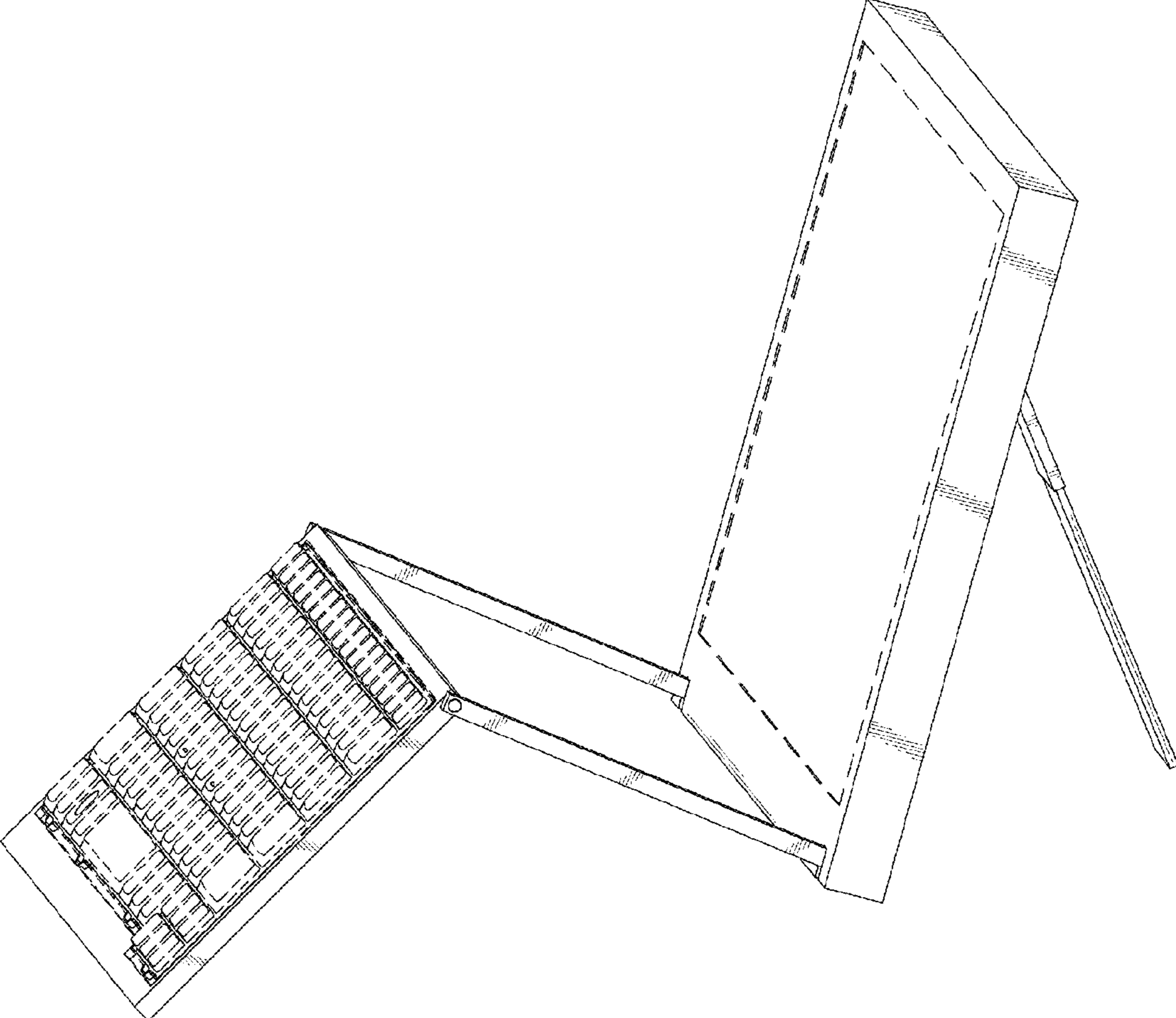


FIG. 1

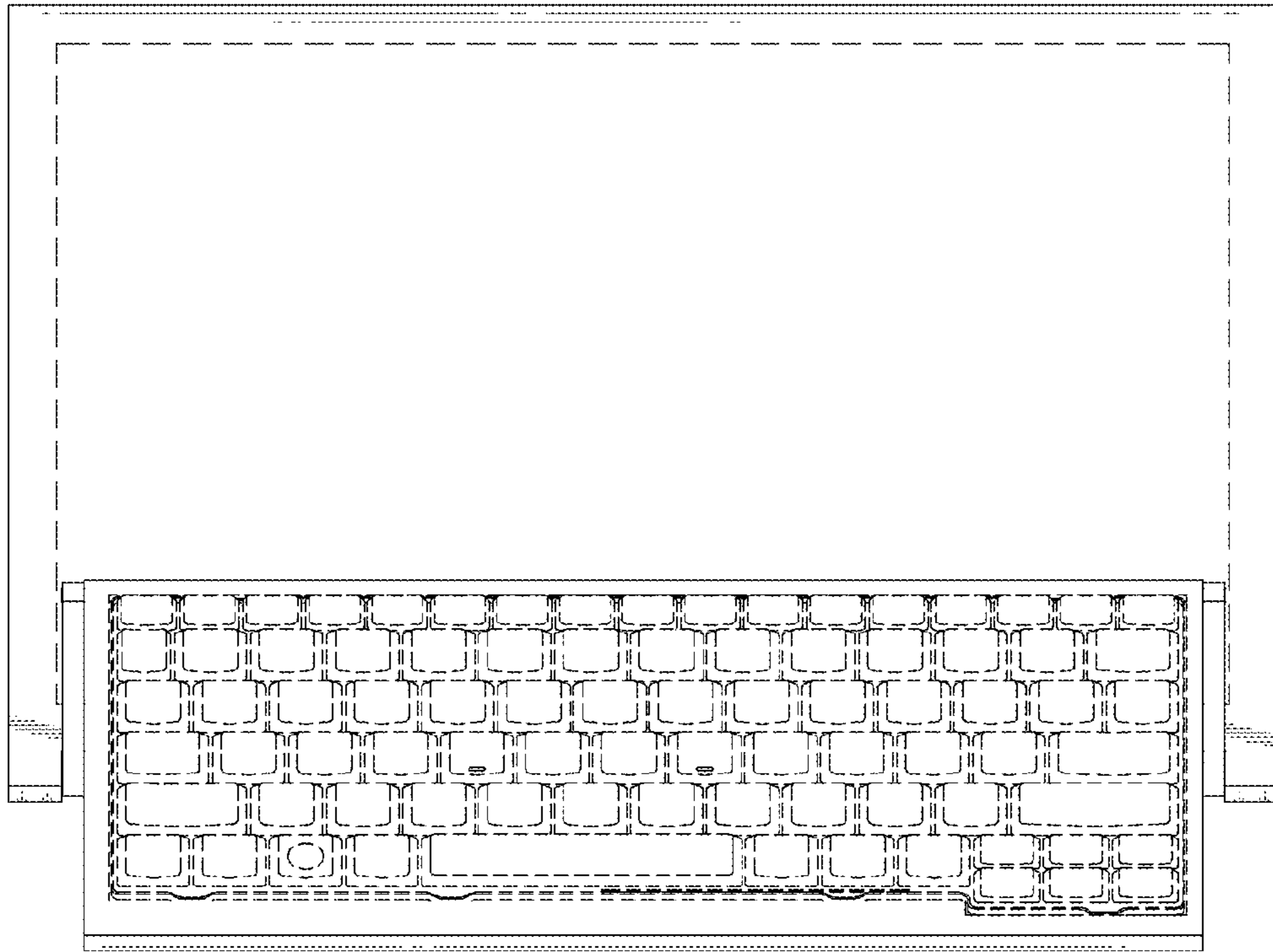


FIG. 2

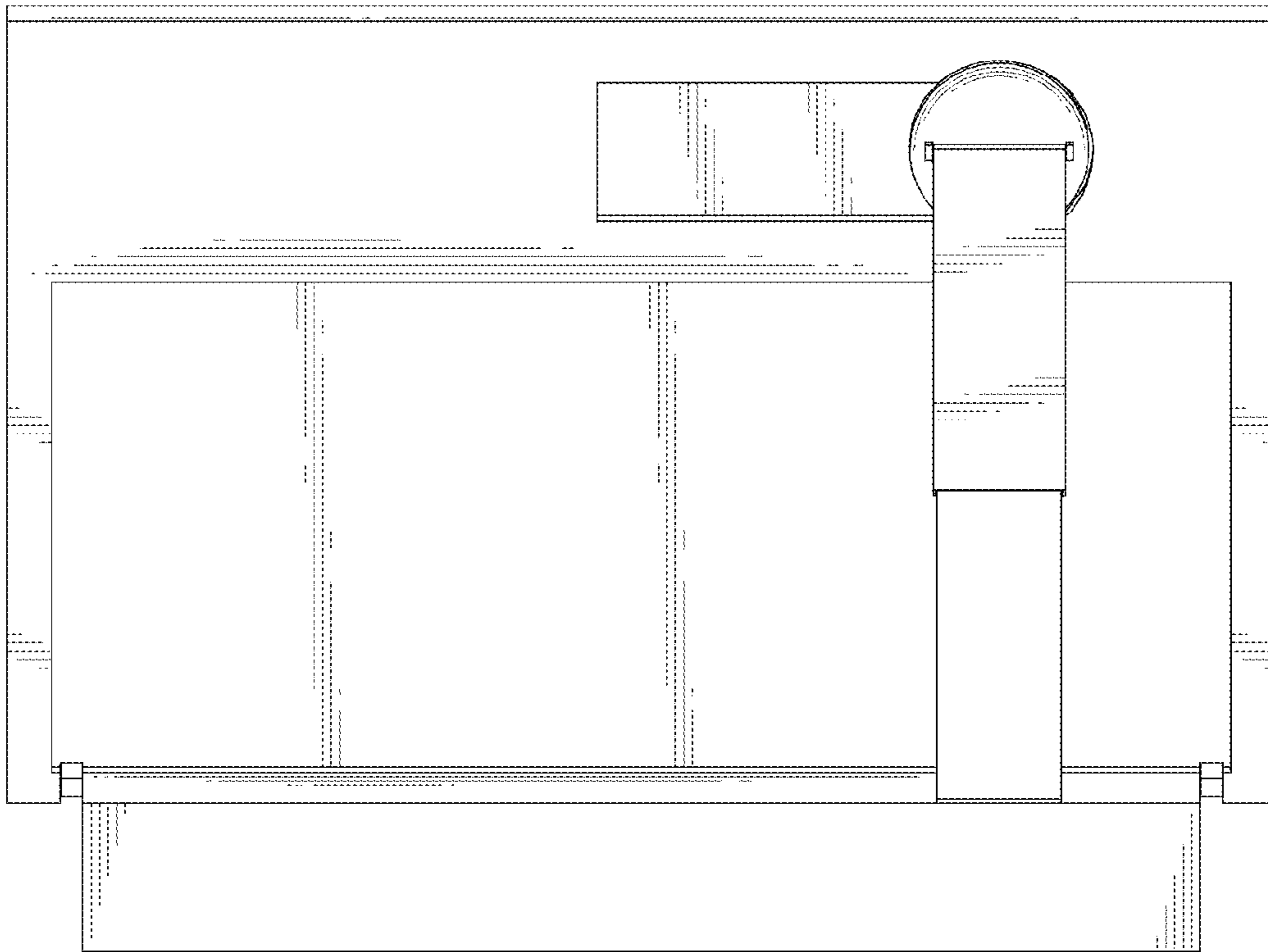


FIG. 3

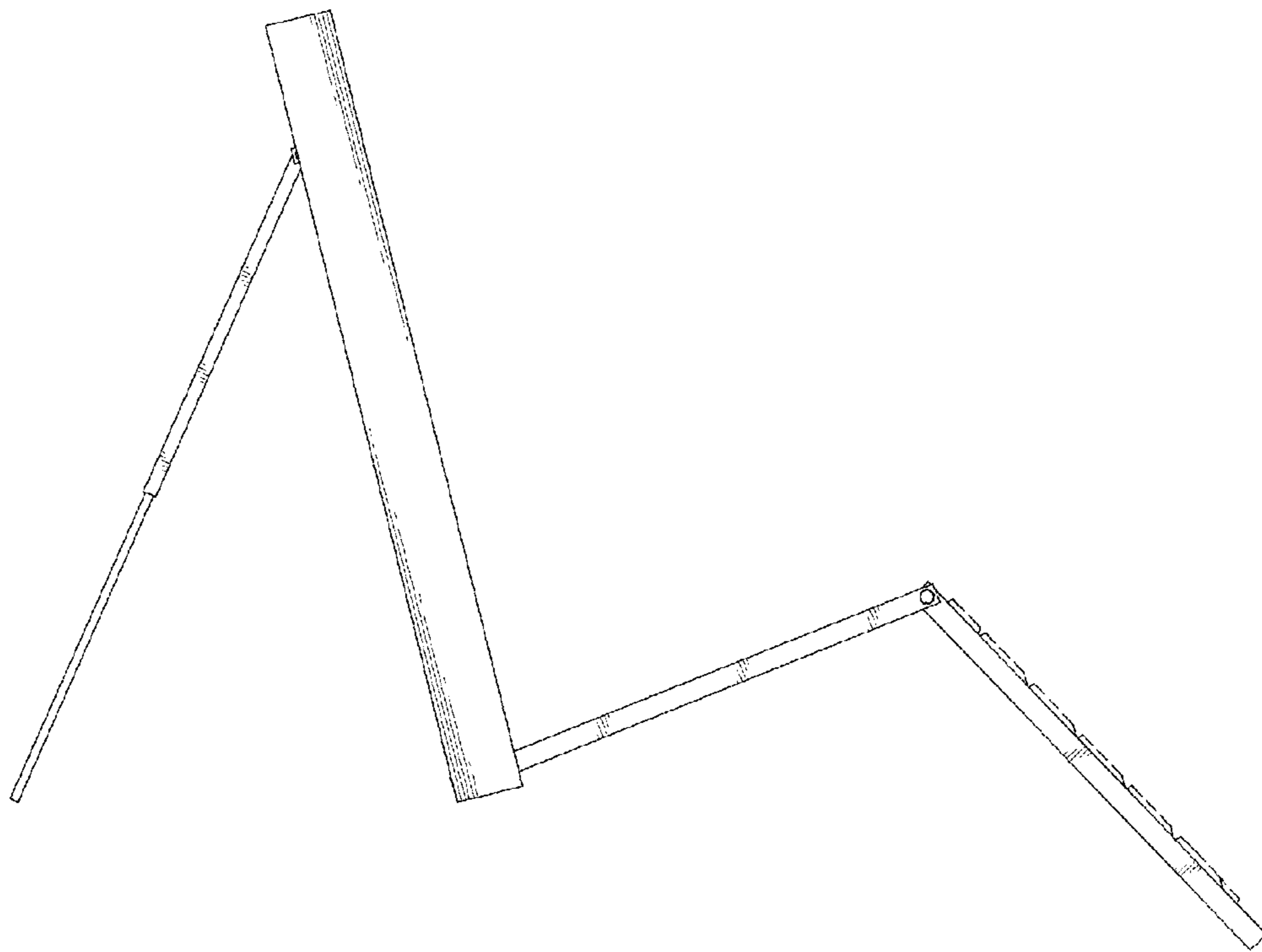


FIG. 4

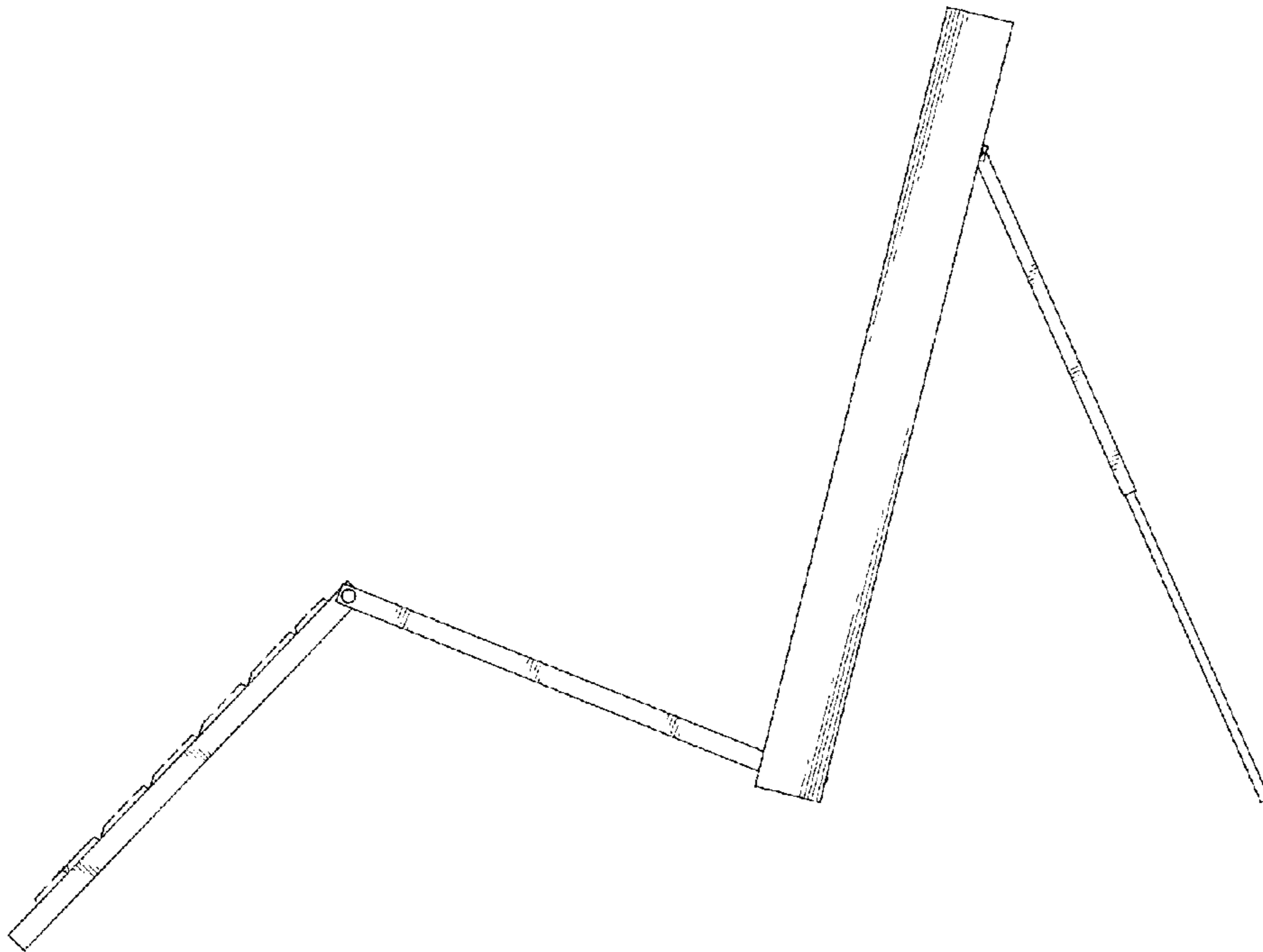


FIG. 5

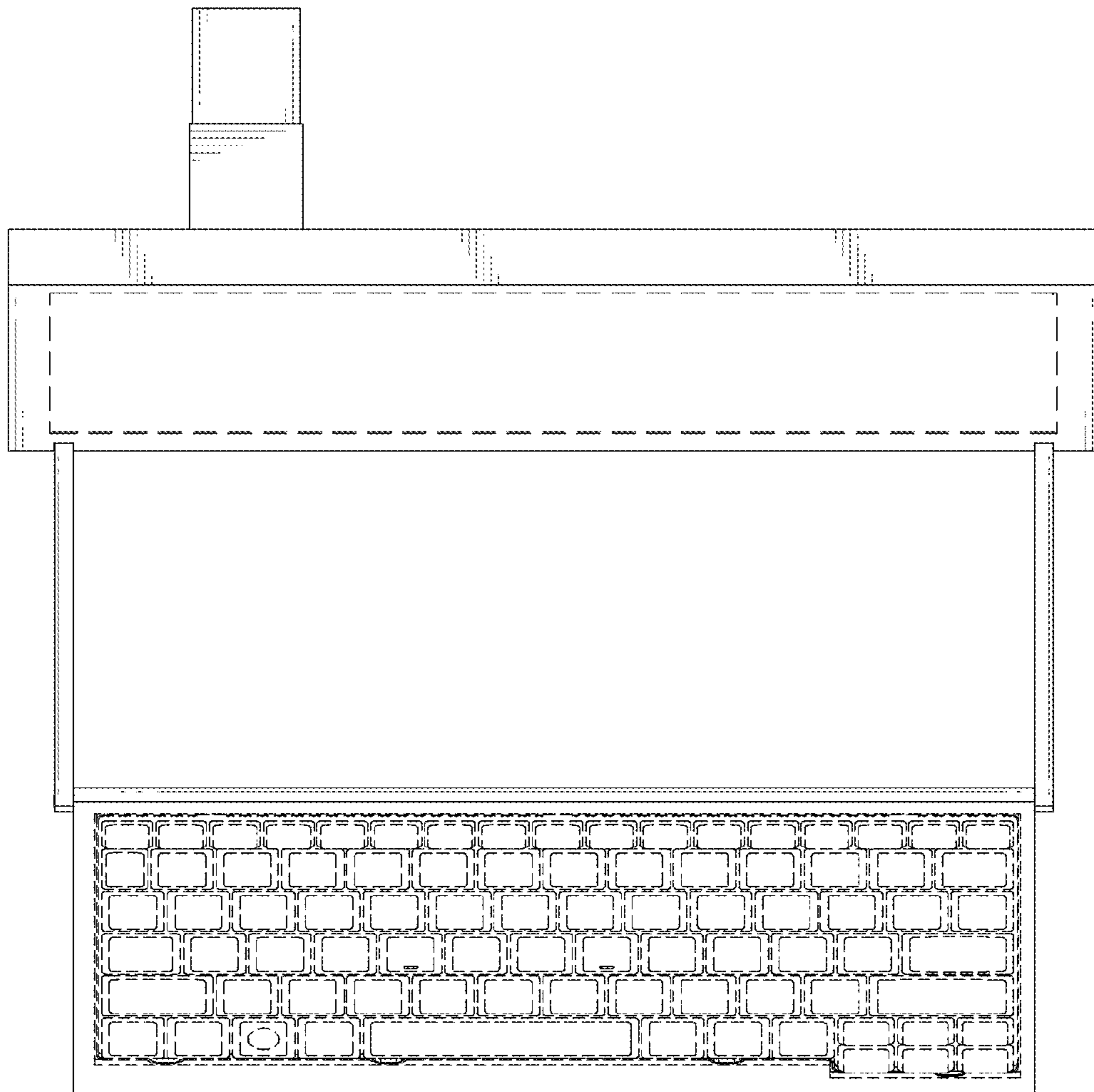


FIG. 6

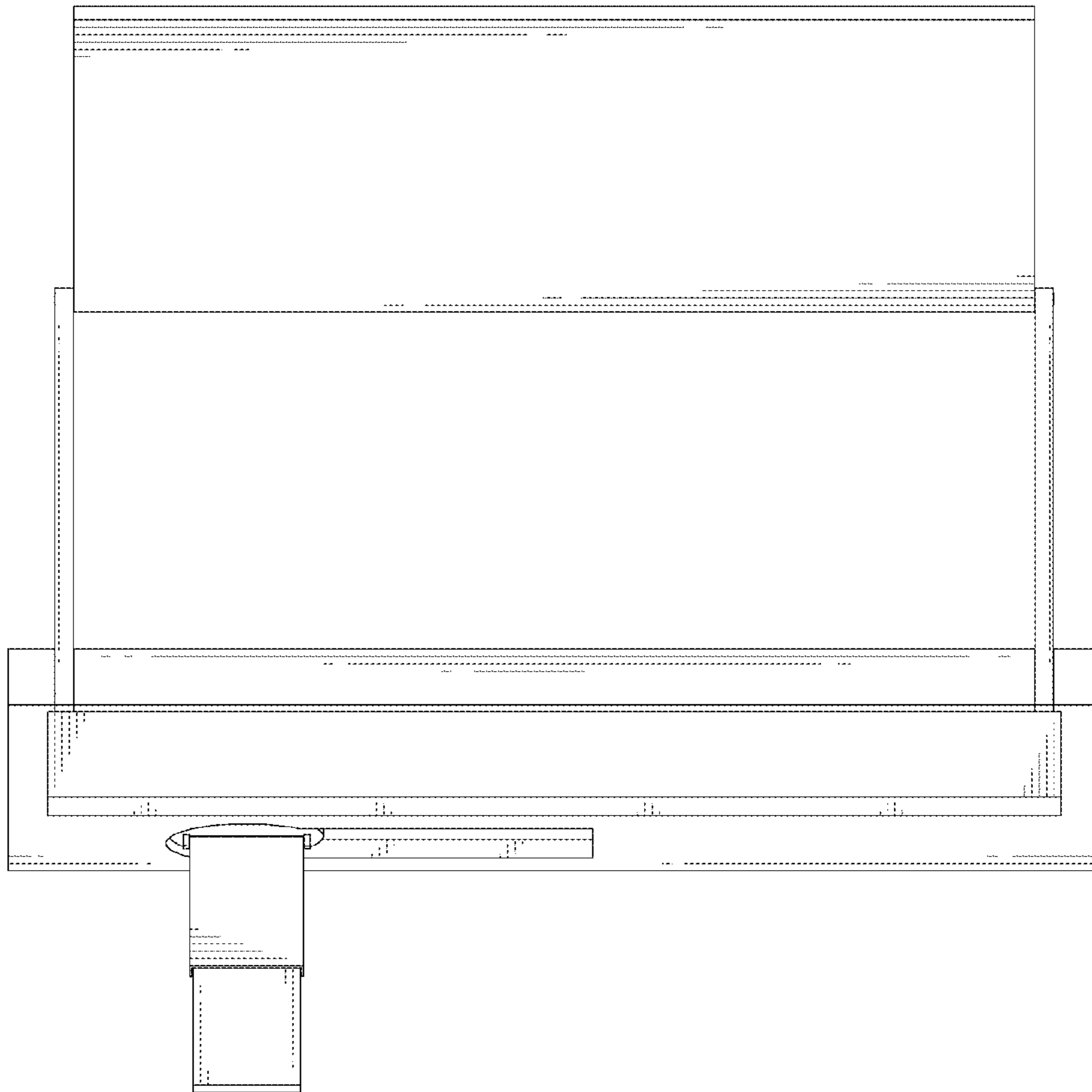


FIG. 7

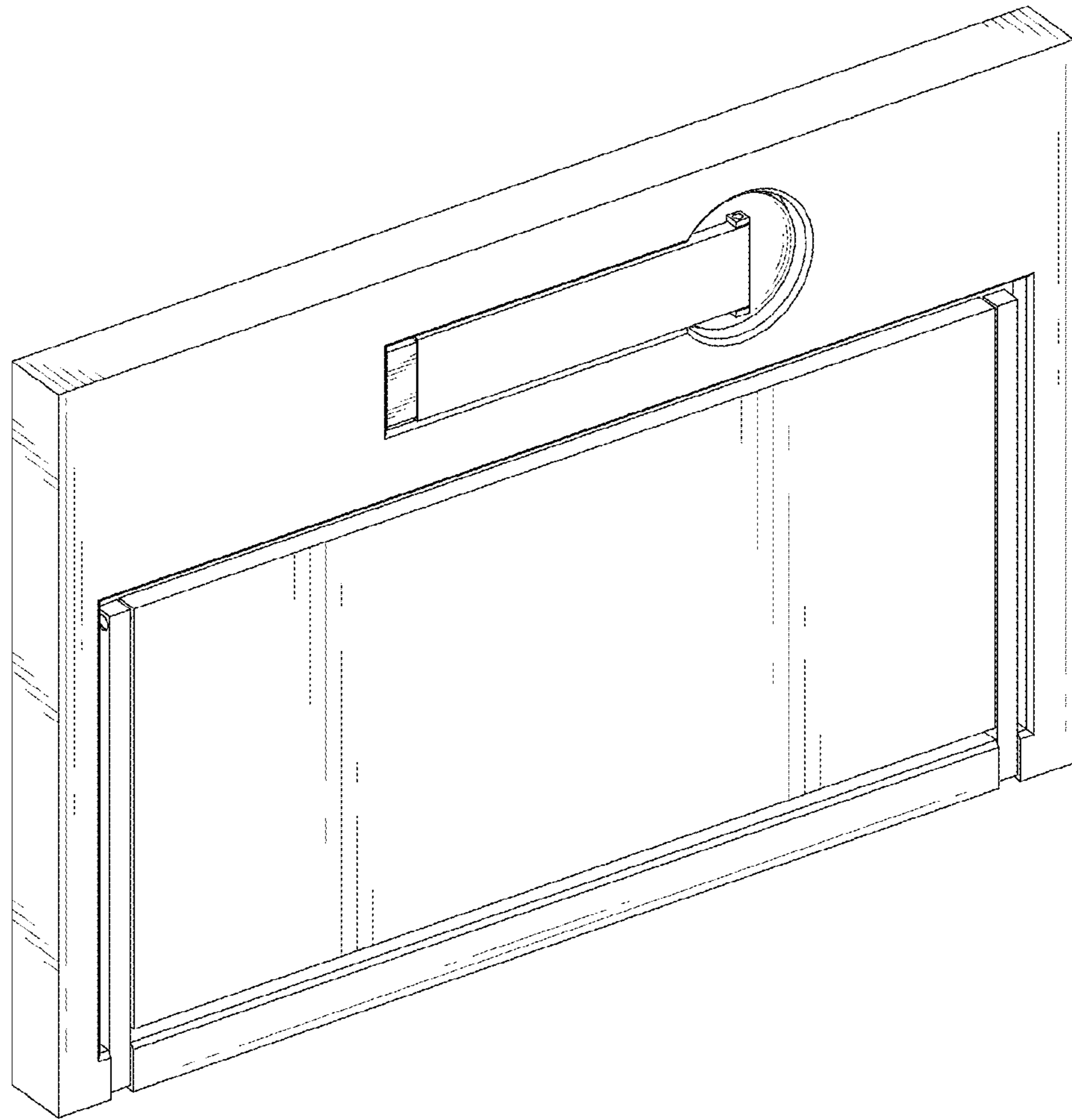


FIG. 8