



US00D697506S

(12) **United States Design Patent**  
**Bianco et al.**

(10) **Patent No.:** **US D697,506 S**  
(45) **Date of Patent:** **\*\* Jan. 14, 2014**

(54) **TOUCH SCREEN TERMINAL FOR TIME AND ATTENDANCE SYSTEM**

(56) **References Cited**

(71) Applicants: **James S. Bianco**, Suffield, CT (US);  
**David Palmer**, Holyoke, MA (US);  
**William G. Lucas, Jr.**, Suffield, CT (US)

(72) Inventors: **James S. Bianco**, Suffield, CT (US);  
**David Palmer**, Holyoke, MA (US);  
**William G. Lucas, Jr.**, Suffield, CT (US)

(73) Assignee: **Control Module, Inc.**, Enfield, CT (US)

(\*\*) Term: **14 Years**

(21) Appl. No.: **29/443,401**

(22) Filed: **Jan. 17, 2013**

(51) **LOC (10) Cl.** ..... **14-02**

(52) **U.S. Cl.**  
USPC ..... **D14/336; D14/371**

(58) **Field of Classification Search**  
USPC ..... D14/371-375, 125-129, 336, 337;  
341/12; 345/104, 156, 168, 173;  
348/180, 184, 325, 739; 349/1, 2, 11,  
349/62; 361/679.05-679.07, 679.21;  
D6/300, 308

See application file for complete search history.

U.S. PATENT DOCUMENTS

4,862,151 A *	8/1989	Grauz et al. ....	345/173
D451,535 S *	12/2001	Lee .....	D18/4.6
D456,020 S *	4/2002	Obata et al. ....	D14/336
D514,565 S *	2/2006	Haygood .....	D14/371
D564,374 S *	3/2008	Wada .....	D10/65
D585,056 S *	1/2009	Ekelund .....	D14/336
D601,354 S *	10/2009	Chu .....	D6/308
D673,952 S *	1/2013	Toda et al. ....	D14/383

\* cited by examiner

*Primary Examiner* — Freda S Nunn

(74) *Attorney, Agent, or Firm* — Alix, Yale & Ristas, LLP

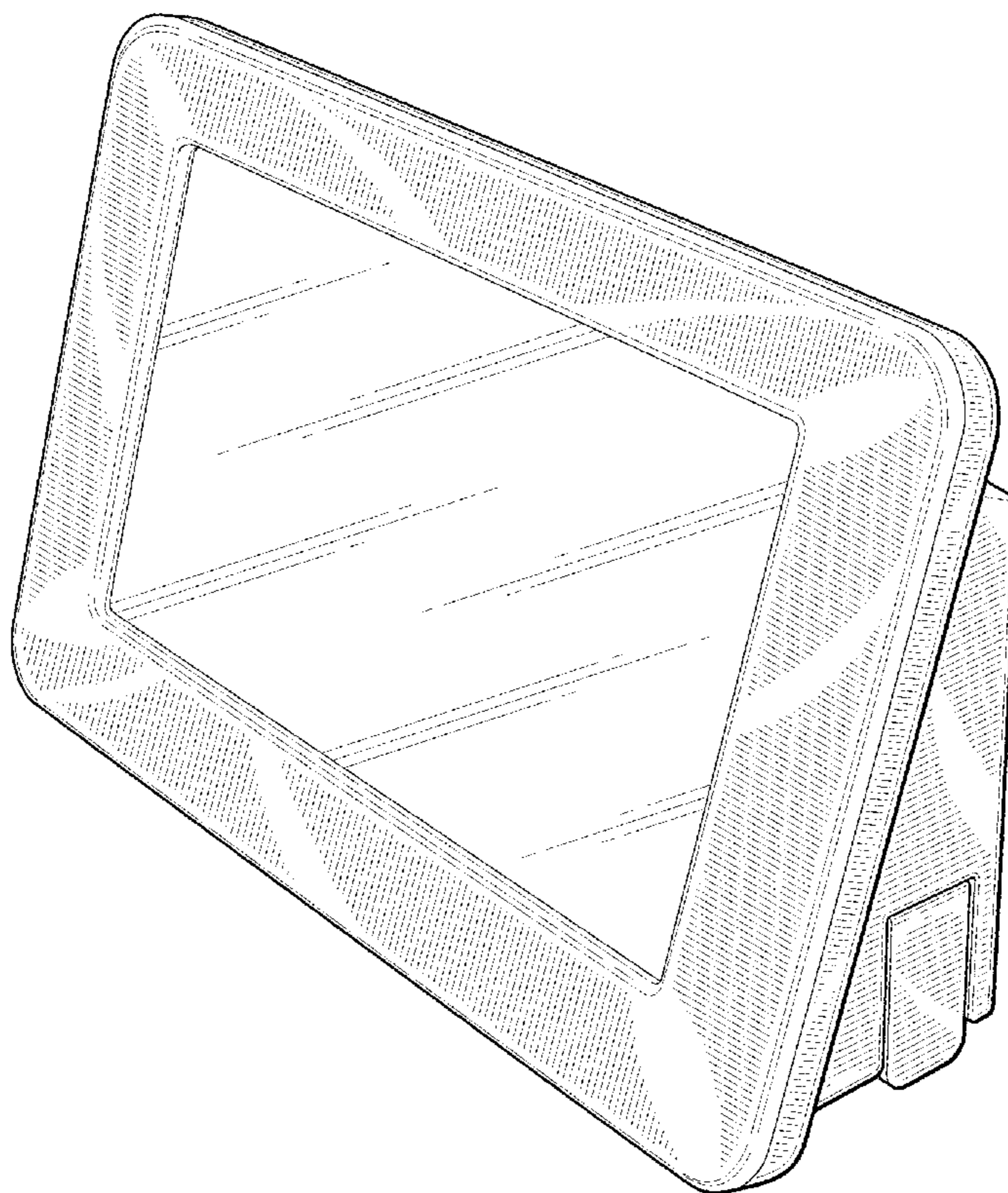
(57) **CLAIM**

The ornamental design for a touch screen terminal for time and attendance system, as shown and described.

**DESCRIPTION**

FIG. 1 is a perspective view of a touch screen terminal for time and attendance system showing our new design;  
FIG. 2 is a front view thereof;  
FIG. 3 is a rear view thereof;  
FIG. 4 is a bottom plan view thereof;  
FIG. 5 is a top plan view thereof;  
FIG. 6 is a right side view thereof; and,  
FIG. 7 is a left side view thereof.

**1 Claim, 3 Drawing Sheets**



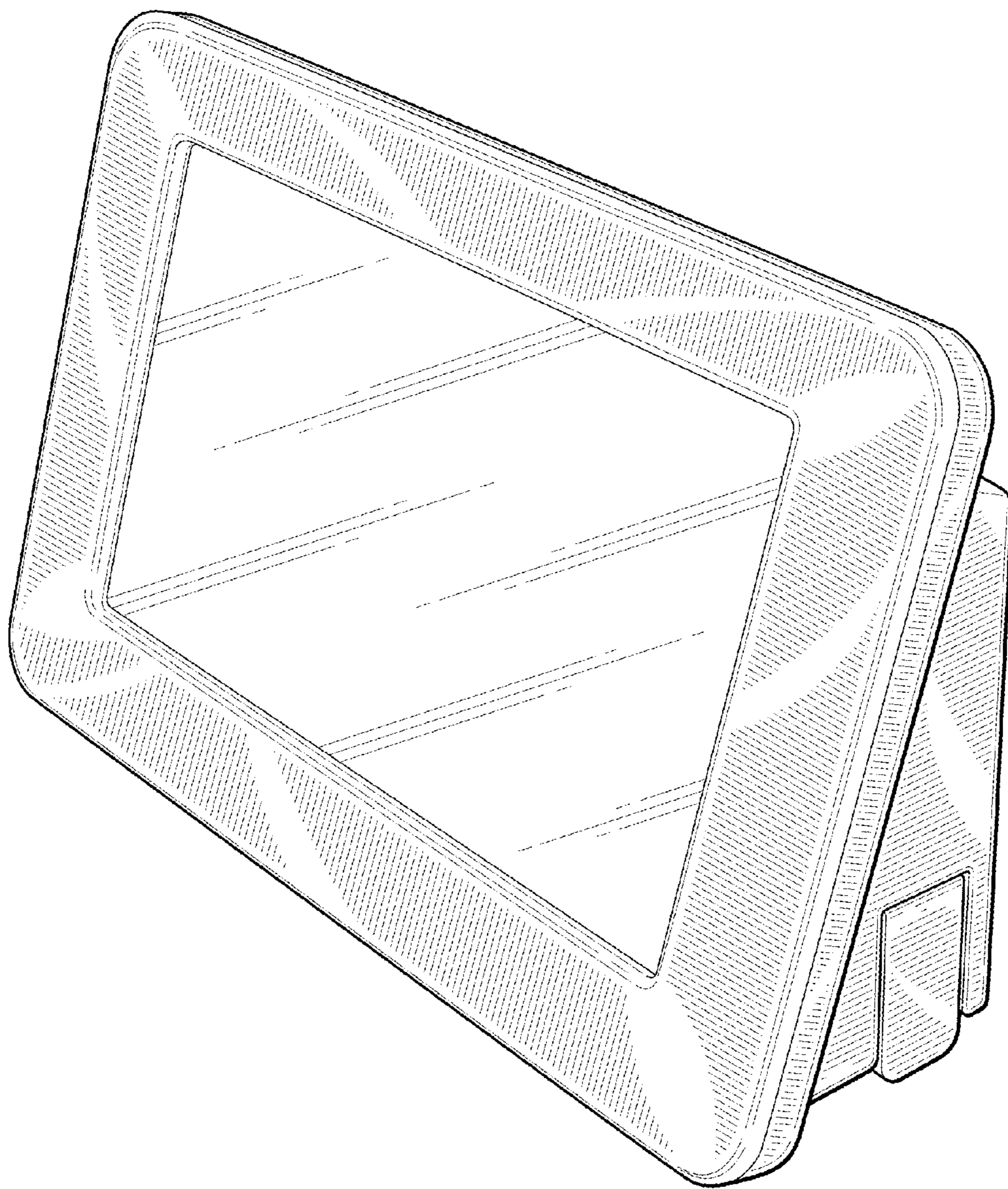


FIG. 1



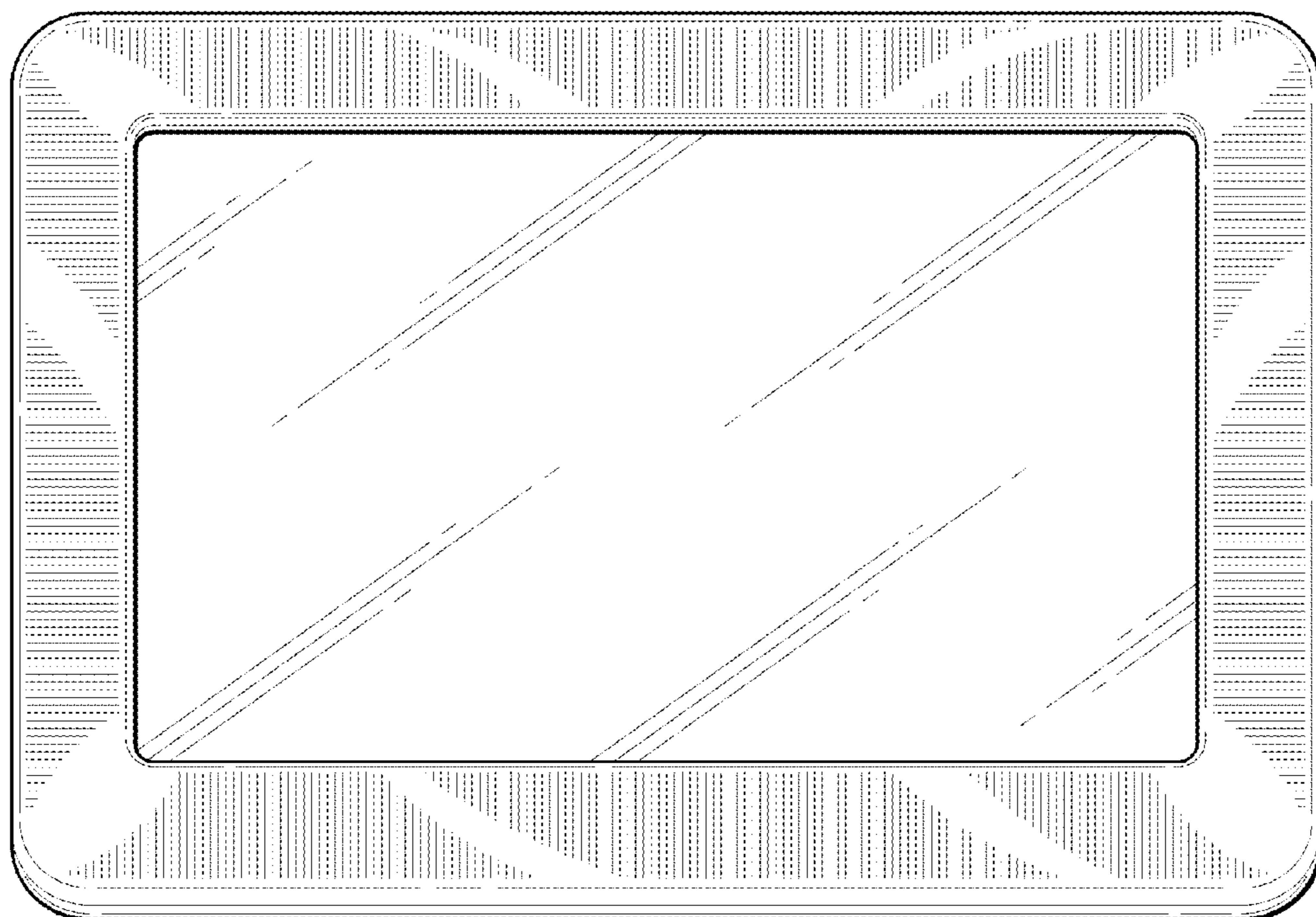


FIG. 2

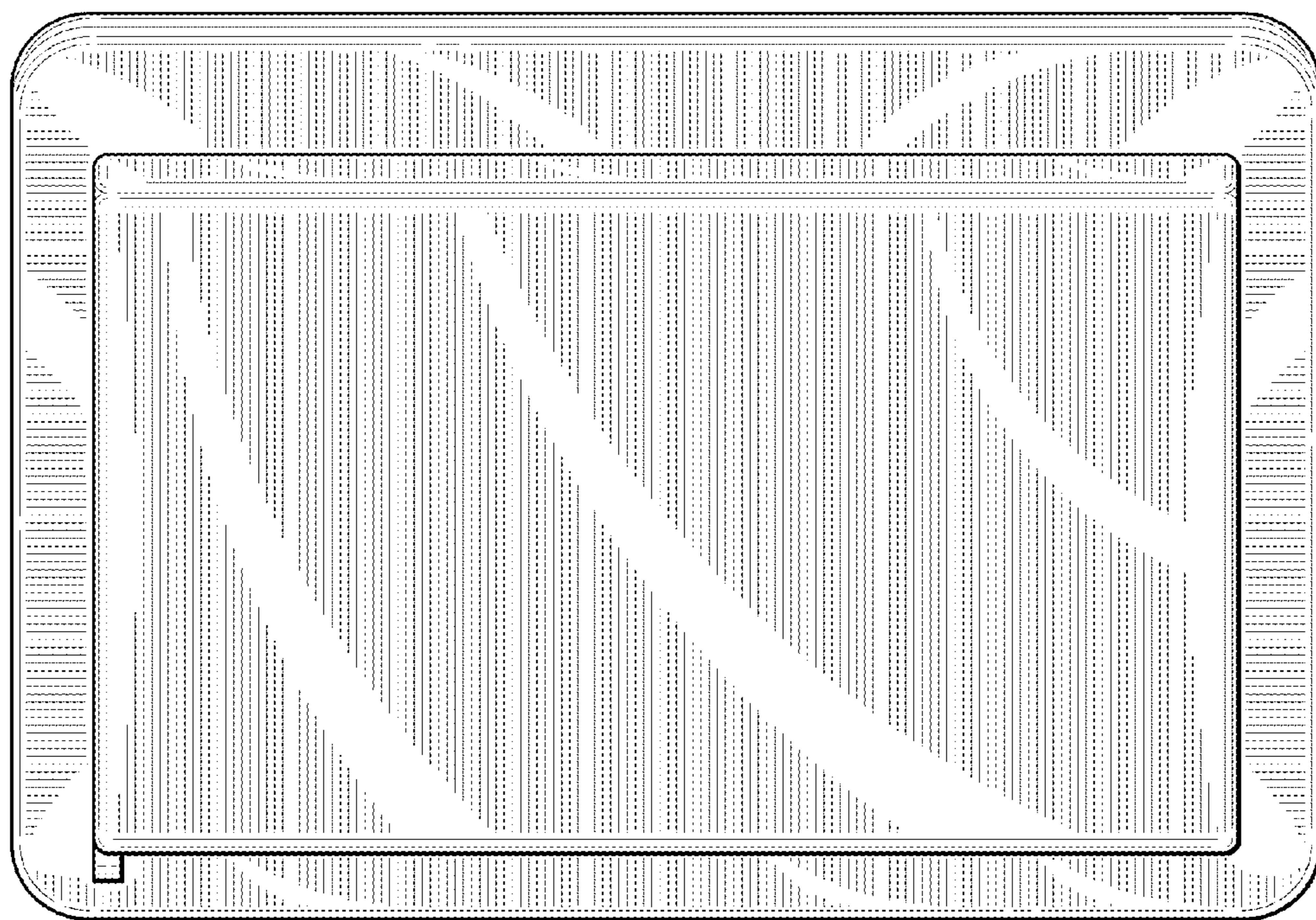


FIG. 3

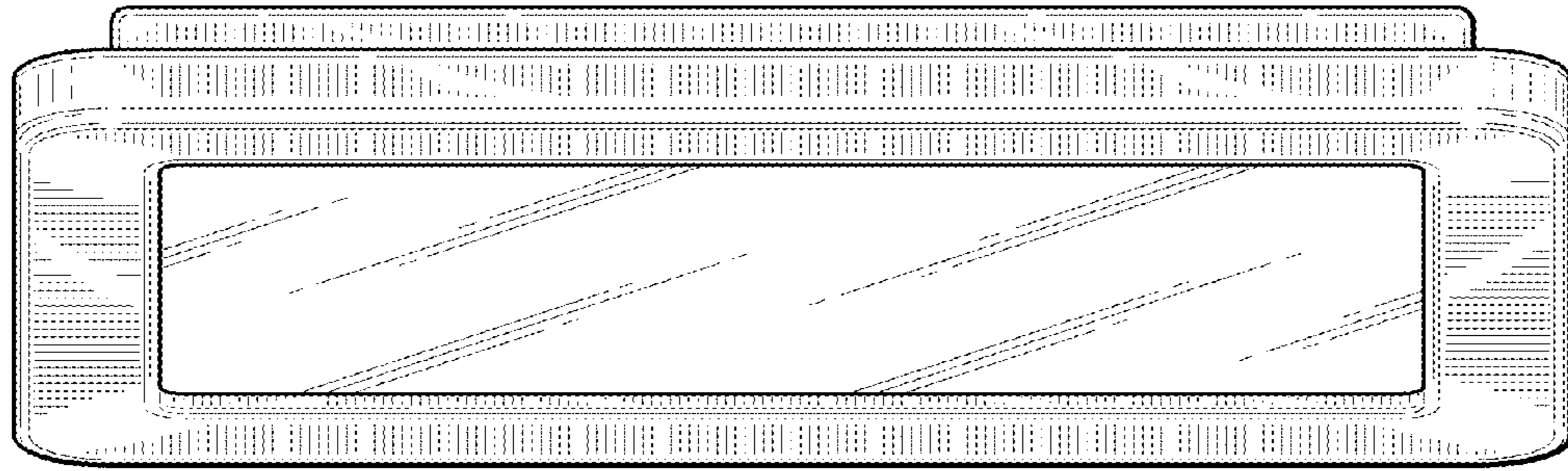


FIG. 4

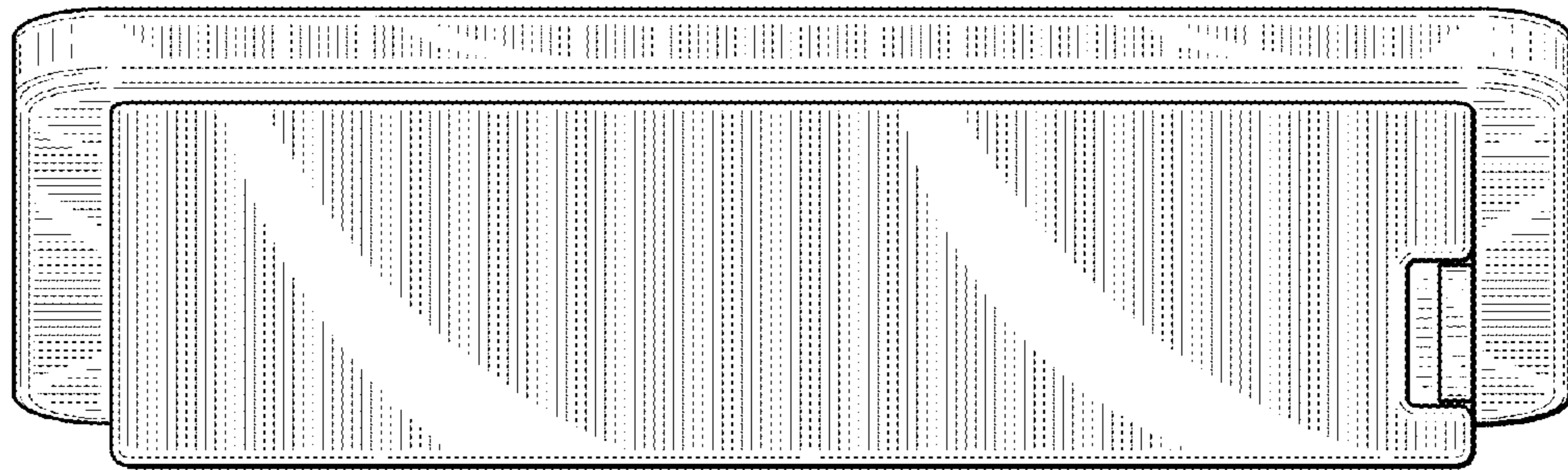


FIG. 5

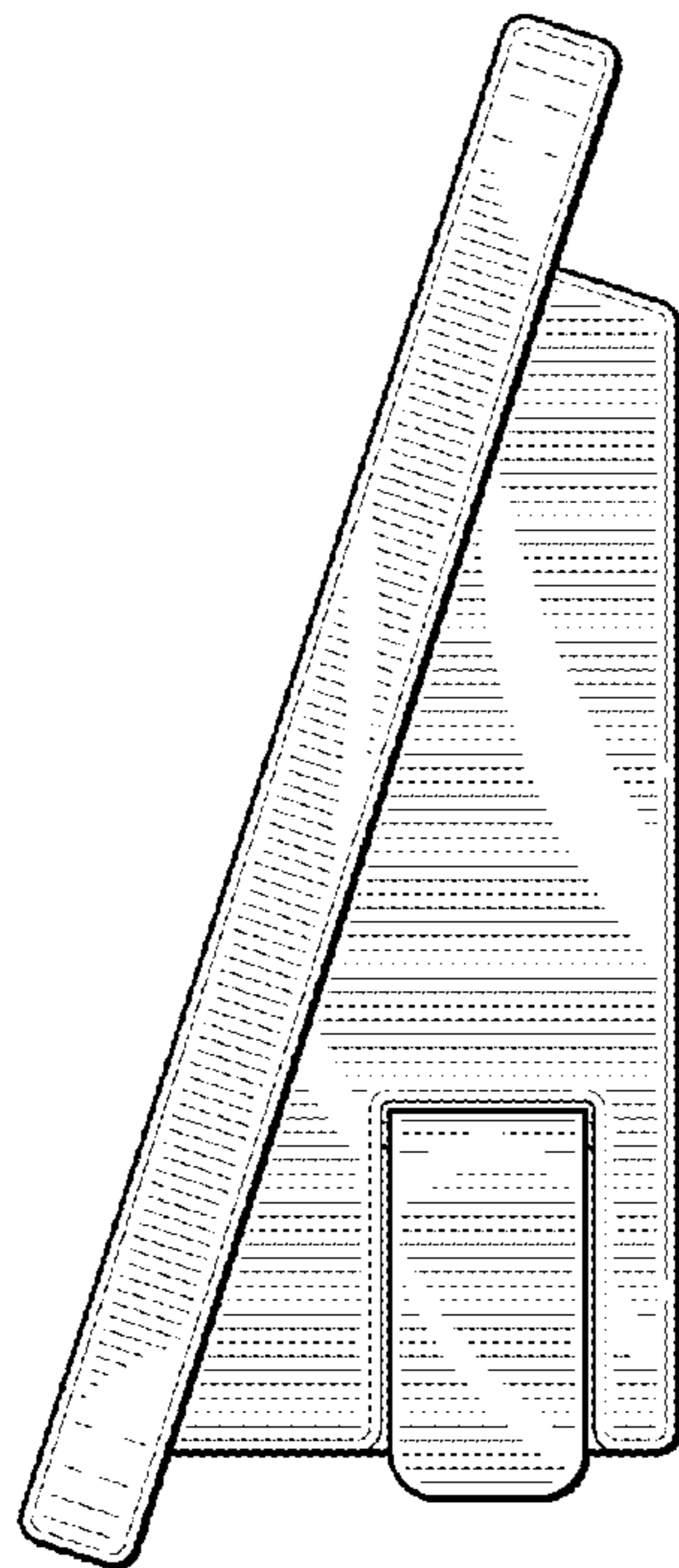


FIG. 6

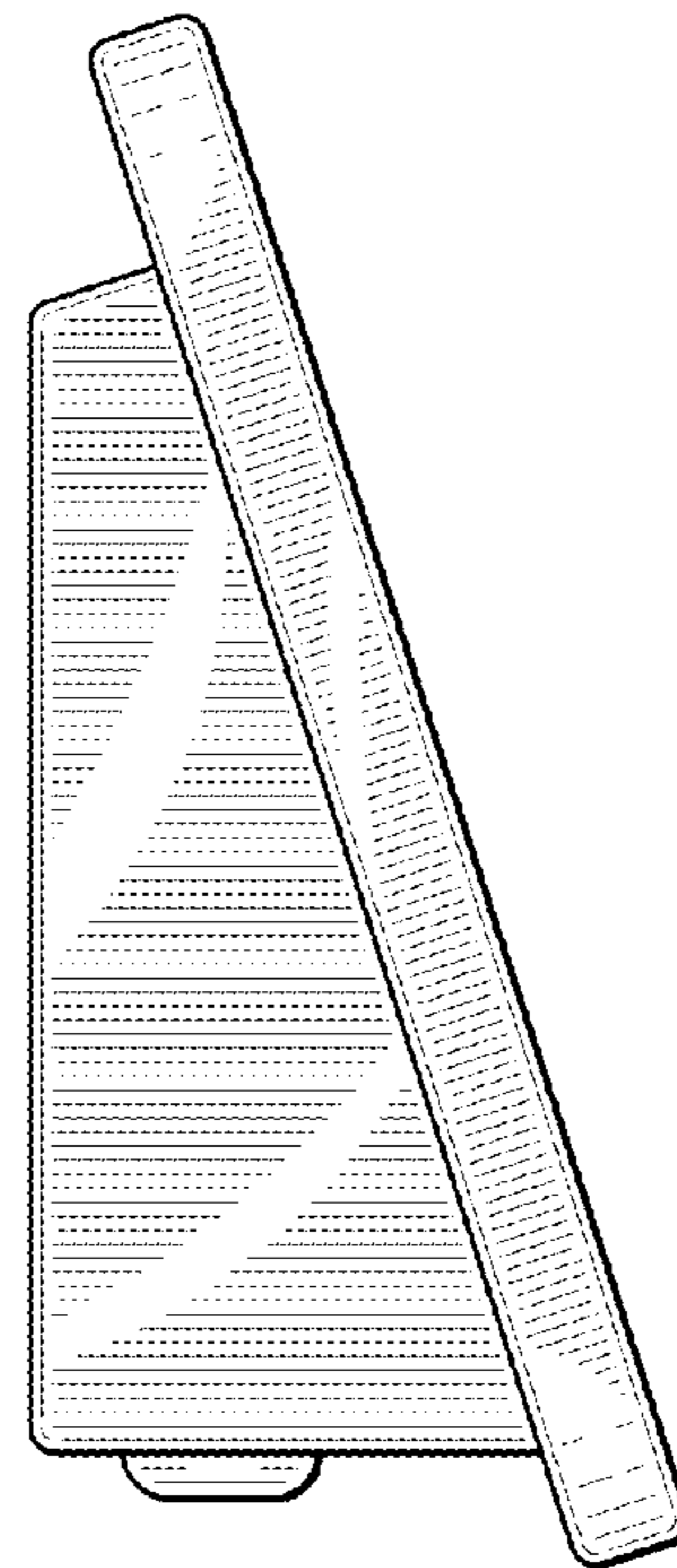


FIG. 7