

US00D697505S

(12) **United States Design Patent**
Paton et al.

(10) **Patent No.:** **US D697,505 S**
(45) **Date of Patent:** **** Jan. 14, 2014**

(54) **SELF-SERVICE TERMINAL**

(56) **References Cited**

(71) Applicant: **NCR Corporation**, Duluth, GA (US)

U.S. PATENT DOCUMENTS

(72) Inventors: **Grant C. Paton**, Dundee (GB); **Michael Robertson McNamara**, Dundee (GB)

D139,893	S	*	1/1945	Roberts et al.	D6/481
D270,583	S	*	9/1983	Elliott et al.	D99/28
D311,956	S	*	11/1990	Barnes	D25/16
D345,217	S	*	3/1994	Pearlson	D25/16
D346,514	S	*	5/1994	Barish	D6/481
D346,867	S	*	5/1994	Montilla	D25/16
D478,582	S	*	8/2003	Becker et al.	D14/302
D532,219	S	*	11/2006	Sandler et al.	D6/475
D532,417	S	*	11/2006	Becker et al.	D14/307
D532,782	S	*	11/2006	Russo et al.	D14/307
D565,044	S	*	3/2008	Witts et al.	D14/307
D586,147	S	*	2/2009	Tsay et al.	D6/396
D678,697	S	*	3/2013	Hill	D6/661.3

(73) Assignee: **NCR Corporation**, Duluth, GA (US)

(**) Term: **14 Years**

(21) Appl. No.: **29/443,915**

* cited by examiner

(22) Filed: **Jan. 24, 2013**

(51) **LOC (10) Cl.** **14-02**

Primary Examiner — Austin Murphy

(52) **U.S. Cl.**

(74) *Attorney, Agent, or Firm* — Paul W. Martin

USPC **D14/307**

(57) **CLAIM**

(58) **Field of Classification Search**

The ornamental design for a self-service terminal, as shown and described.

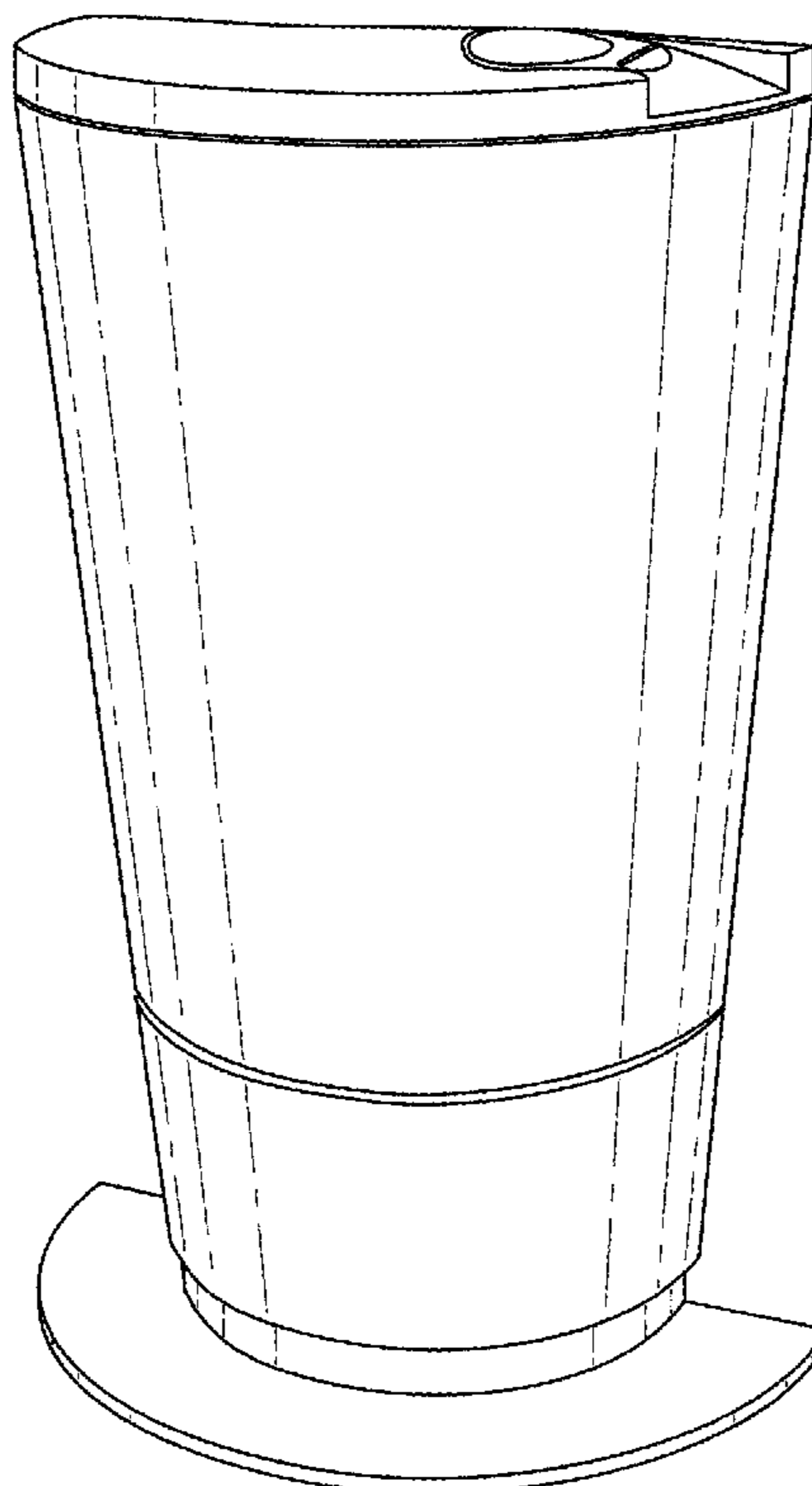
USPC D14/315–327, 384, 432, 439–446, 341,
D14/345, 353–355, 125, 130, 132, 138,
D14/239; D16/202, 208; D9/424–432;
D6/491; D8/403; 235/145 A, 145 R;
341/22, 23; 349/12; 361/680–686;
D20/10, 41, 43

DESCRIPTION

FIG. 1 is a front view;
FIG. 2 is a top view; and
FIG. 3 is a right side view;
FIG. 4 is a left side view; and,
FIG. 5 is a perspective view.

See application file for complete search history.

1 Claim, 3 Drawing Sheets



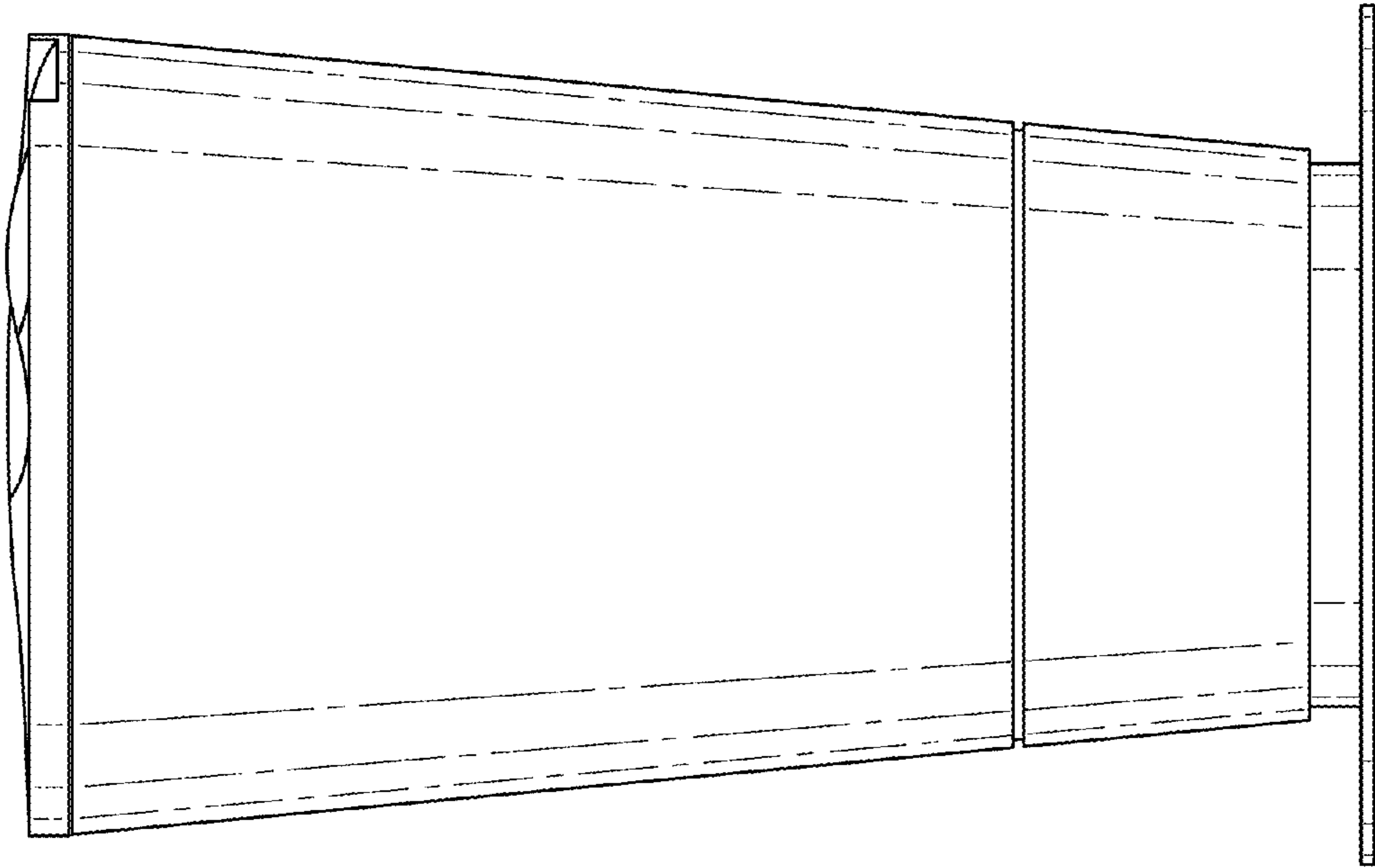


FIG. 1

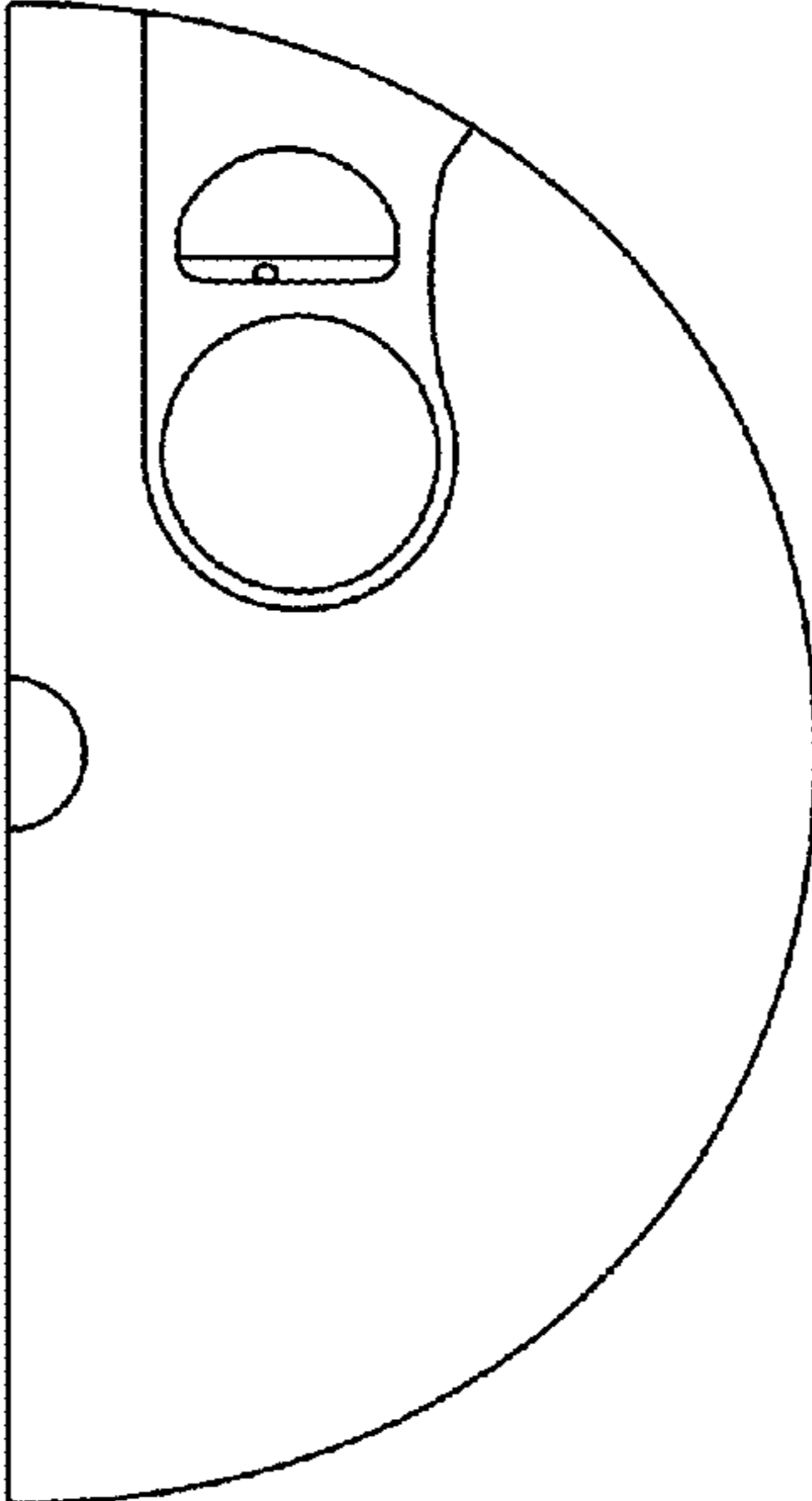


FIG. 2

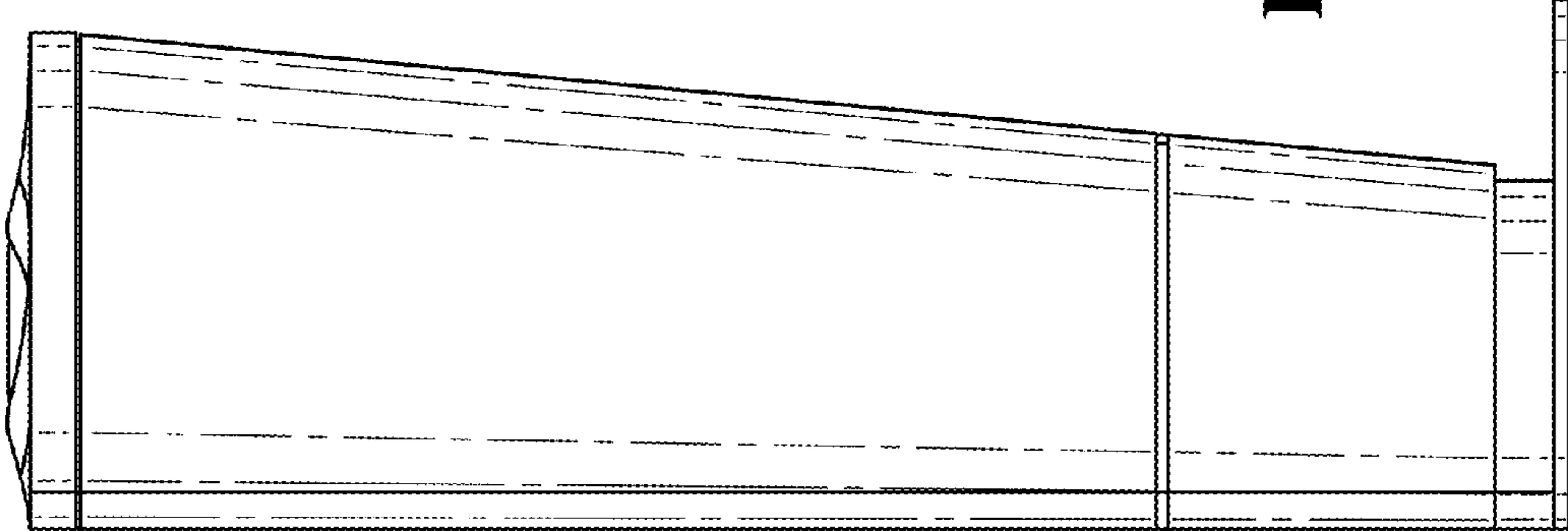


FIG. 4

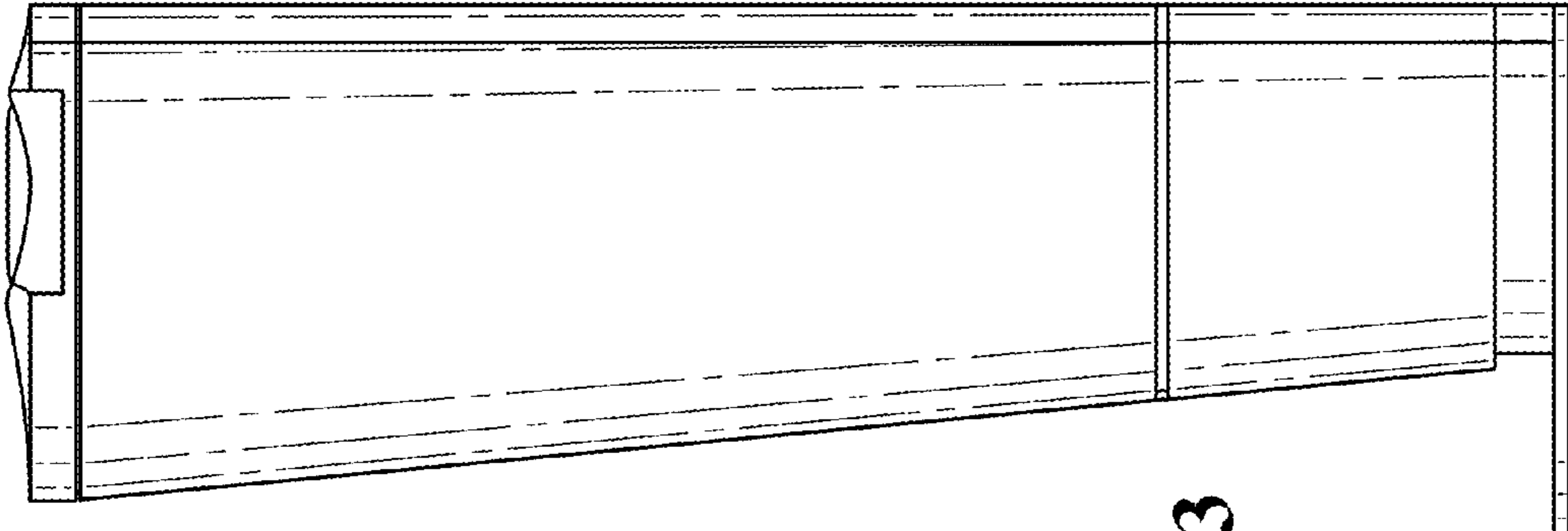


FIG. 3

FIG. 5

