



US00D697504S

(12) **United States Design Patent**
Yang

(10) **Patent No.:** **US D697,504 S**
(45) **Date of Patent:** **** Jan. 14, 2014**

(54) **PROTECTIVE CASE FOR ELECTRONIC DEVICE**

(71) Applicant: **The Joy Factory, Inc.**, Irvine, CA (US)

(72) Inventor: **Sampson Yang**, Irvine, CA (US)

(73) Assignee: **The Joy Factory, Inc.**, Irvine, CA (US)

(**) Term: **14 Years**

(21) Appl. No.: **29/445,278**

(22) Filed: **Feb. 8, 2013**

(51) **LOC (10) Cl.** **14-03**

(52) **U.S. Cl.**
USPC **D14/250**

(58) **Field of Classification Search**
USPC D14/250, 238.1, 440, 251-253,
D14/203.3-203.7, 217, 496, 248, 240, 447,
D14/341-347, 444; D13/103, 107-108,
D13/119; D3/201, 218, 247, 269, 273, 301,
D3/303; 248/309.1, 371, 176.3, 668;
361/679.56, 679.3, 679.25, 816;
379/426, 433.11, 455; 455/575.1,
455/575.8; 206/305, 320; 320/108, 115;
429/96; 220/4.02

See application file for complete search history.

(56) **References Cited**

U.S. PATENT DOCUMENTS

D378,020	S	*	2/1997	Hatt	D3/218
D378,634	S	*	4/1997	LaPere	D3/273
6,082,535	A	*	7/2000	Mitchell	206/320
D459,346	S	*	6/2002	Powell	D14/250
D485,834	S	*	1/2004	Davetas	D14/250
D527,176	S	*	8/2006	Andre et al.	D3/218
D539,530	S	*	4/2007	Sanderson et al.	D3/218
D553,851	S	*	10/2007	MacAuley	D3/218
D577,904	S	*	10/2008	Sasaki	D3/201
D597,301	S	*	8/2009	Richardson et al.	D3/218
D605,850	S	*	12/2009	Richardson et al.	D3/218
D613,282	S	*	4/2010	Richardson et al.	D14/250
D615,535	S	*	5/2010	Richardson et al.	D14/250
D631,246	S	*	1/2011	Boettner	D3/218

D670,280	S	*	11/2012	Rayner	D14/250
8,342,325	B2	*	1/2013	Rayner	206/320
D677,250	S	*	3/2013	Takamoto	D14/250
2013/0063004	A1	*	3/2013	Lai et al.	312/223.1

OTHER PUBLICATIONS

Review of the Joy Factory aXtion Pro case for iPhone 5, Published on Jan. 24, 2013, <URL:http://www.youtube.com/watch?v=5XWSTUHJDY>, retrieved from internet on May 4, 2013.*

Review: 10 of the Best Waterproof Iphone 5 Cases, published on Dec. 20, 2012, <URL:http://www.gadgetreview.com/2012/12/10-of-the-best-waterproof-iphone-5-cases.html>, retrieved from internet on May 4, 2013.*

* cited by examiner

Primary Examiner — Carla Jobe Wright

(74) *Attorney, Agent, or Firm* — Chun-Ming Shih

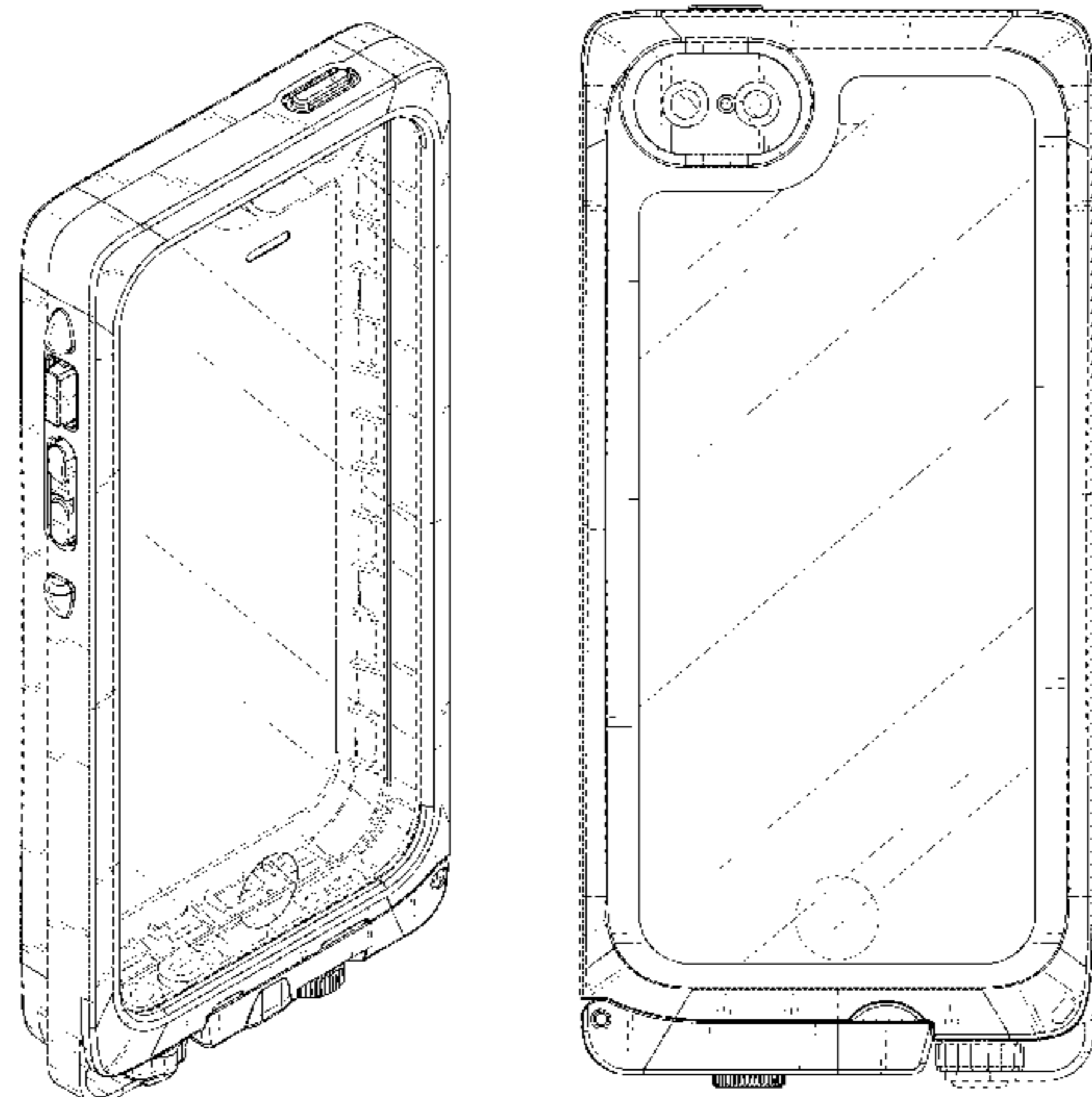
(57) **CLAIM**

The ornamental design for a protective case for electronic device, as shown and described.

DESCRIPTION

FIG. 1 is a front perspective view of a protective case for electronic device showing my new design; FIG. 2 is a front elevational view thereof; FIG. 3 is a rear elevational view thereof; FIG. 4 is a left side elevational view thereof; FIG. 5 is a right side elevational view thereof; FIG. 6 is a top view thereof; FIG. 7 is a bottom view thereof; FIG. 8 is rear perspective view thereof; and, FIG. 9 is a rear perspective view thereof showing the bottom cap connector in an alternate position and showing an unclaimed electronic device behind the transparent front surface of the protective case. In FIG. 9, the surface behind the obliquely-shaded transparent front surface and the broken lines on the surface behind the transparent front surface of the protective case depict an unclaimed electronic device.

1 Claim, 7 Drawing Sheets



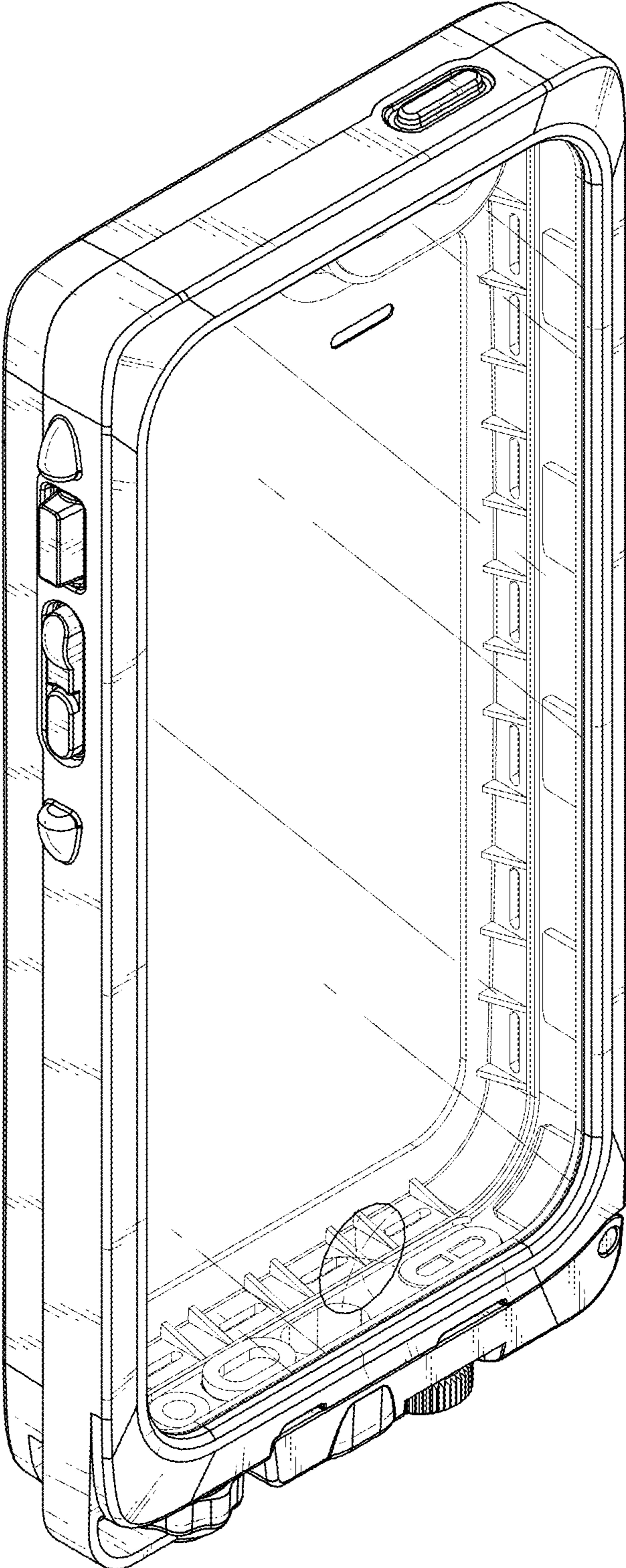


FIG. 1

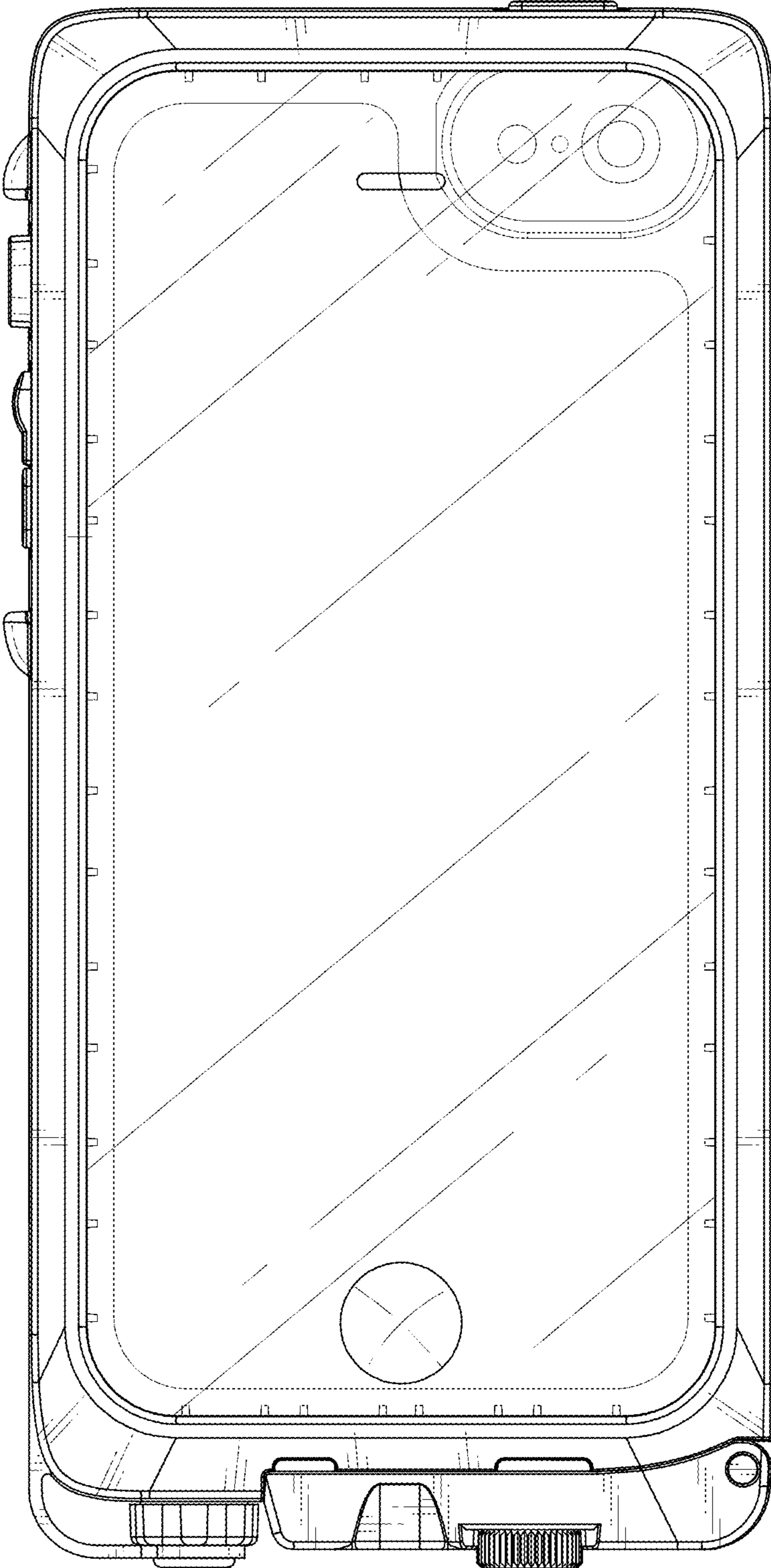


FIG.2

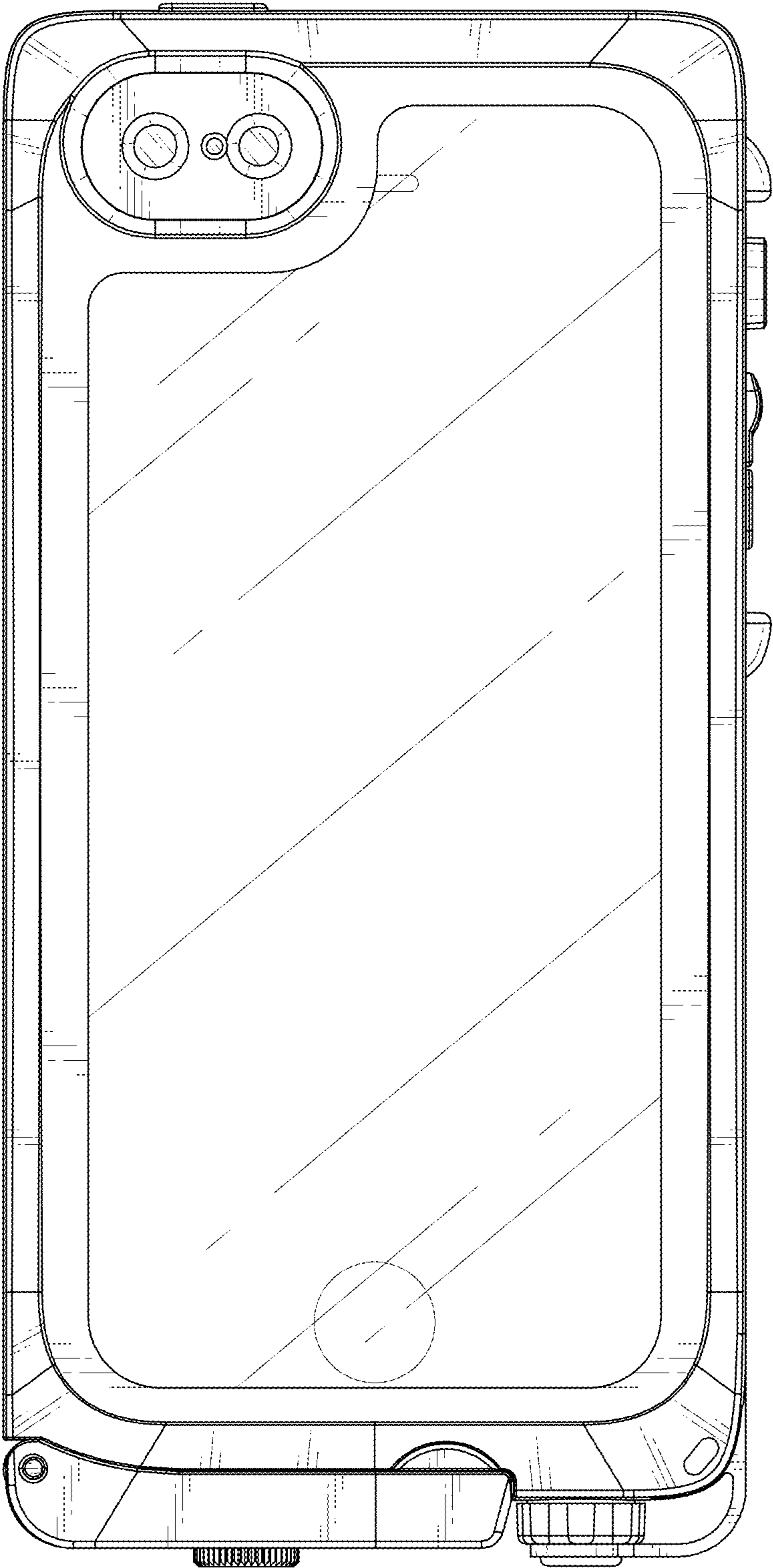


FIG.3

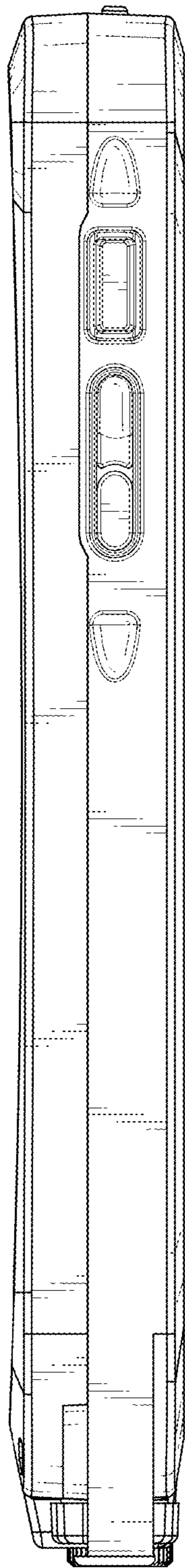


FIG. 4

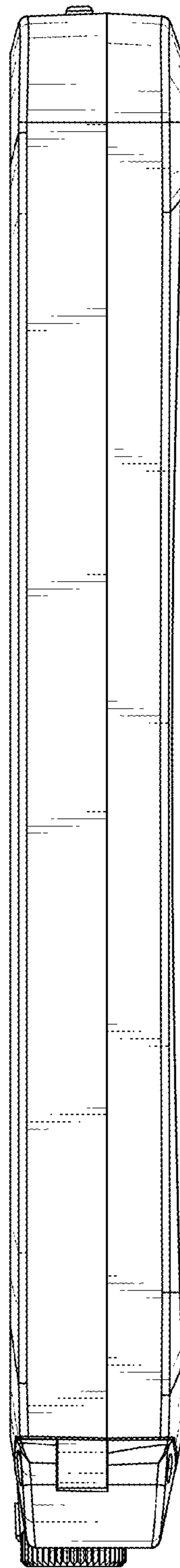


FIG. 5

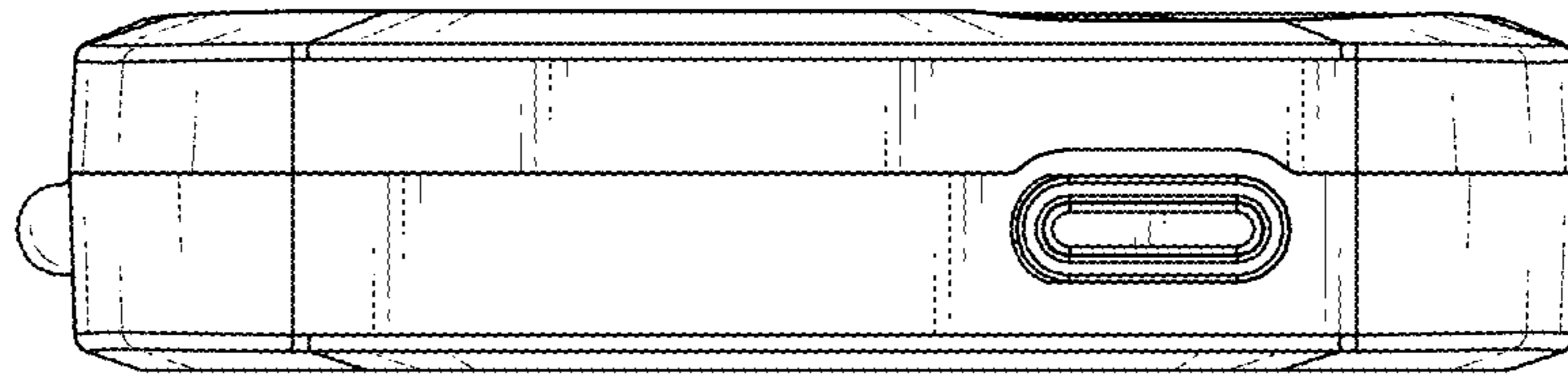


FIG. 6

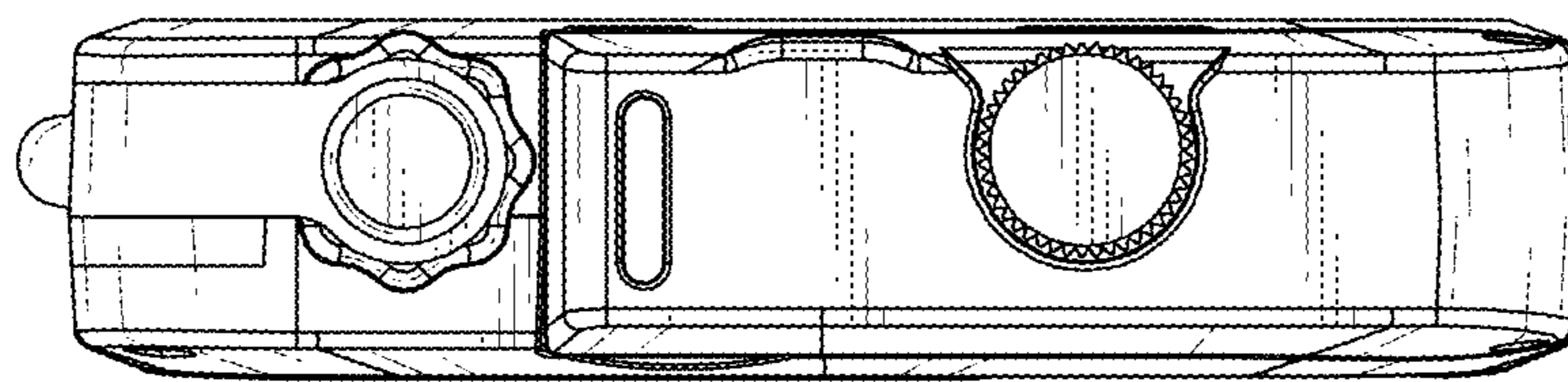


FIG. 7

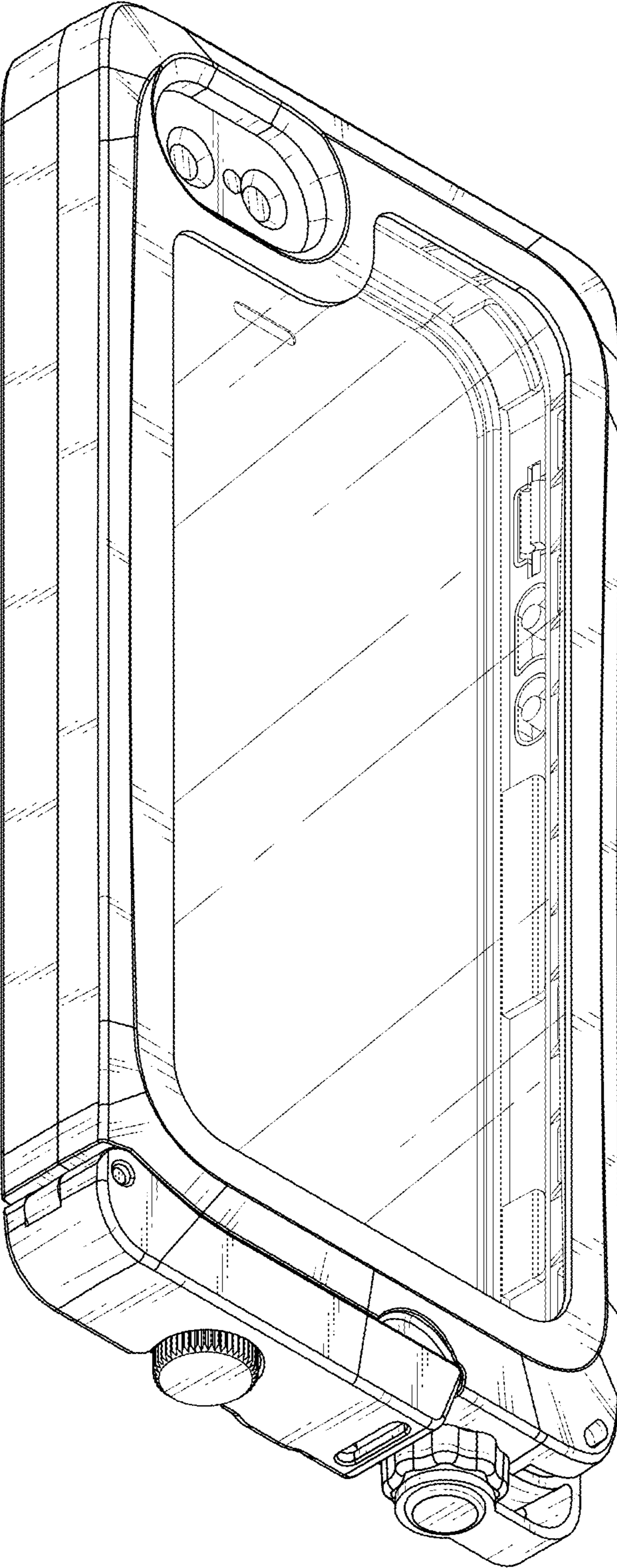


FIG.8

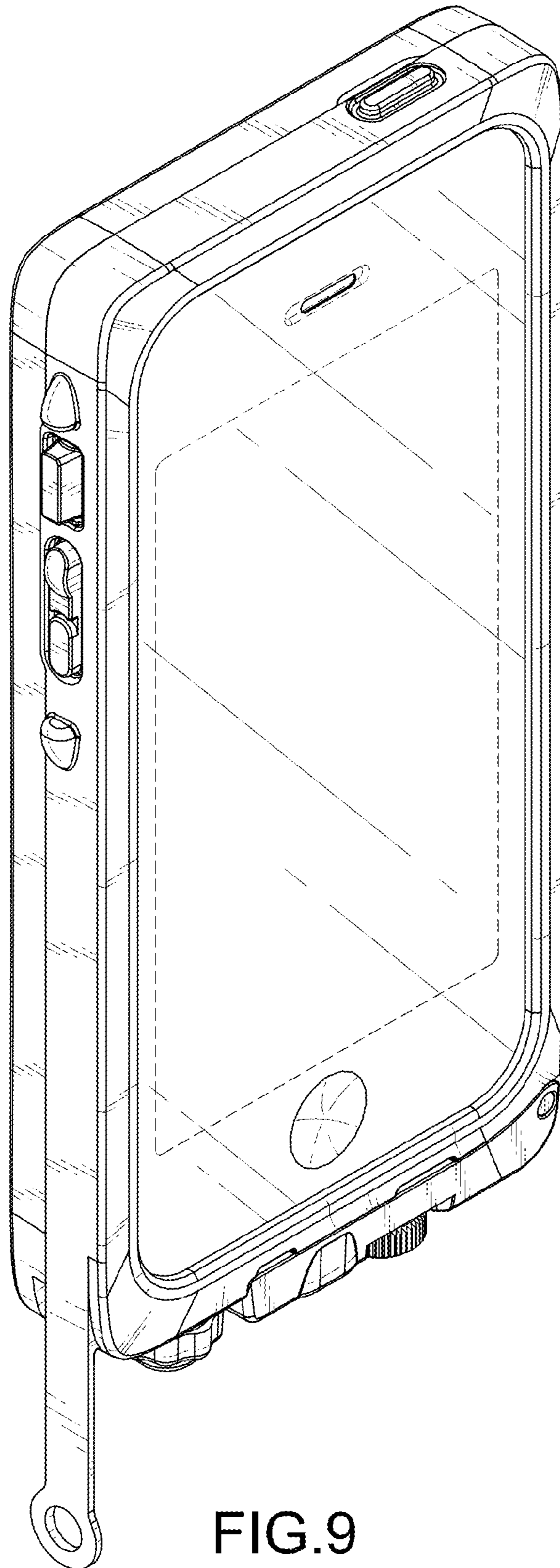


FIG. 9