



US00D697501S

(12) **United States Design Patent**  
**Fargeau**

(10) **Patent No.:** **US D697,501 S**  
(45) **Date of Patent:** **\*\* Jan. 14, 2014**

(54) **BLUETOOTH HANDS-FREE KIT**

(75) Inventor: **Karim Fargeau**, Paris (FR)

(73) Assignee: **PARROT**, Paris (FR)

(\*\*) Term: **14 Years**

(21) Appl. No.: **29/428,423**

(22) Filed: **Jul. 31, 2012**

(30) **Foreign Application Priority Data**

Jul. 9, 2012 (EM) ..... 002070201-0001

(51) **LOC (10) Cl.** ..... **14-03**

(52) **U.S. Cl.**  
USPC ..... **D14/240**

(58) **Field of Classification Search**  
USPC ..... D14/242, 240, 357, 358, 140-140.9,  
D14/155, 137, 139, 243, 348, 349, 351, 354,  
D14/355; 375/222; 455/557; 725/111  
See application file for complete search history.

(56) **References Cited**

**U.S. PATENT DOCUMENTS**

D463,417 S \* 9/2002 Chan et al. .... D14/242  
D511,791 S \* 11/2005 Sheldon et al. .... D18/56  
D521,481 S \* 5/2006 Shin ..... D14/138 AB  
D524,776 S \* 7/2006 Chang ..... D14/138 AB  
D532,001 S \* 11/2006 Burke ..... D14/240

D596,635 S \* 7/2009 Owens et al. .... D14/358  
D626,125 S \* 10/2010 Kang ..... D14/356  
D645,869 S \* 9/2011 Hathway et al. .... D14/480.6  
D651,208 S \* 12/2011 Pacyga et al. .... D14/358  
D662,921 S \* 7/2012 Clements et al. .... D14/243  
D674,784 S \* 1/2013 Choi ..... D14/240  
D675,196 S \* 1/2013 Maddern ..... D14/240

\* cited by examiner

*Primary Examiner* — Bridget L Eland

(74) *Attorney, Agent, or Firm* — Marshall, Gerstein & Borun LLP

(57) **CLAIM**

The ornamental design for a Bluetooth hands-free kit, as shown.

**DESCRIPTION**

FIG. 1 is a left-side elevation view of a Bluetooth hands-free kit that has the design.

FIG. 2 is a top plan view of the Bluetooth hands-free kit.

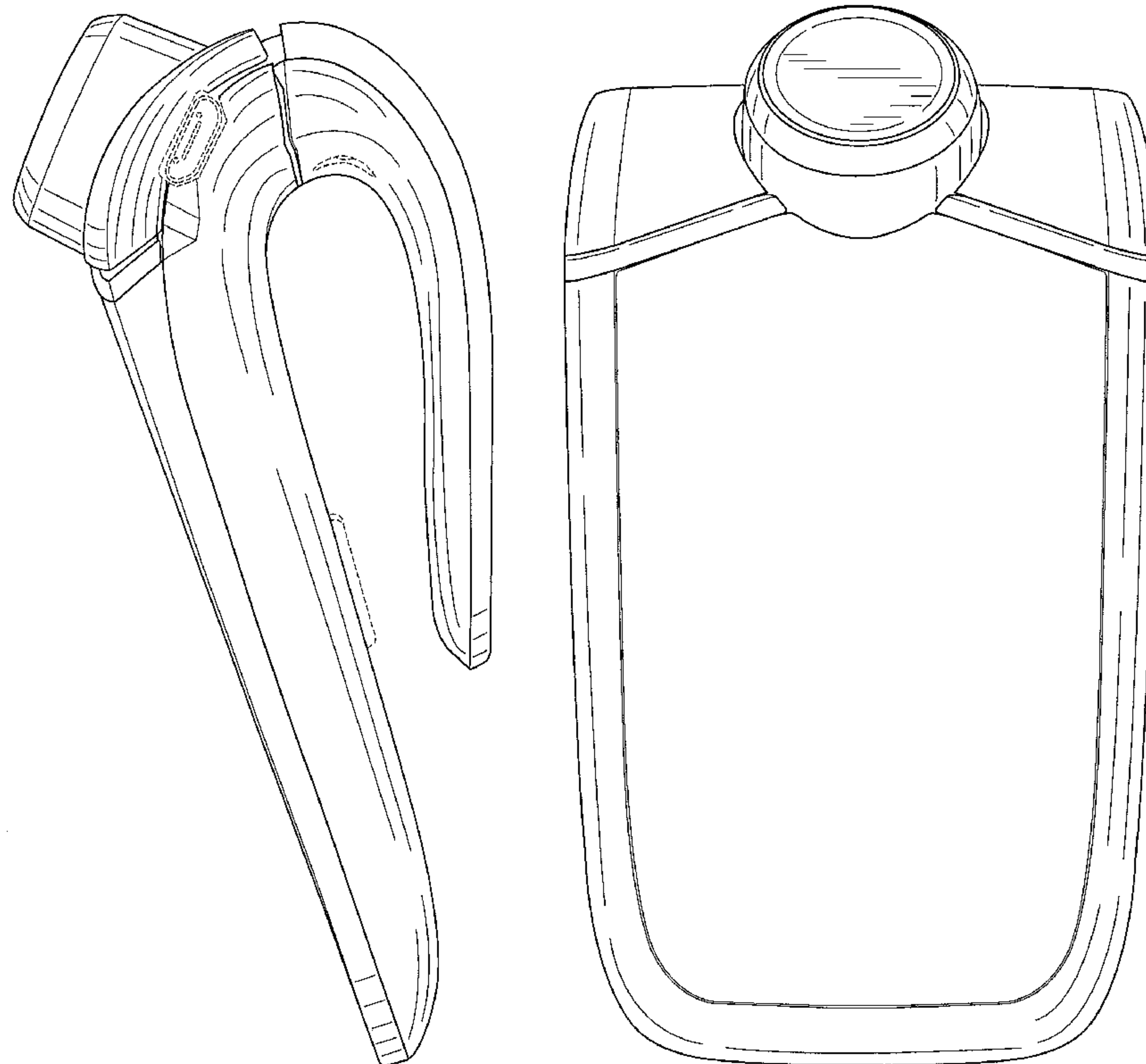
FIG. 3 is an enlarged back, top, and right side view of the Bluetooth hands-free kit.

FIG. 4 is a bottom plan view of the Bluetooth hands-free kit; and,

FIG. 5 is a front elevation view of the Bluetooth hands-free kit.

The broken lines immediately adjacent the shaded areas represent the bounds of the claimed design, while all other broken lines are directed to environment and are for illustrative purposes only. The broken lines form no part of the claimed design.

**1 Claim, 5 Drawing Sheets**



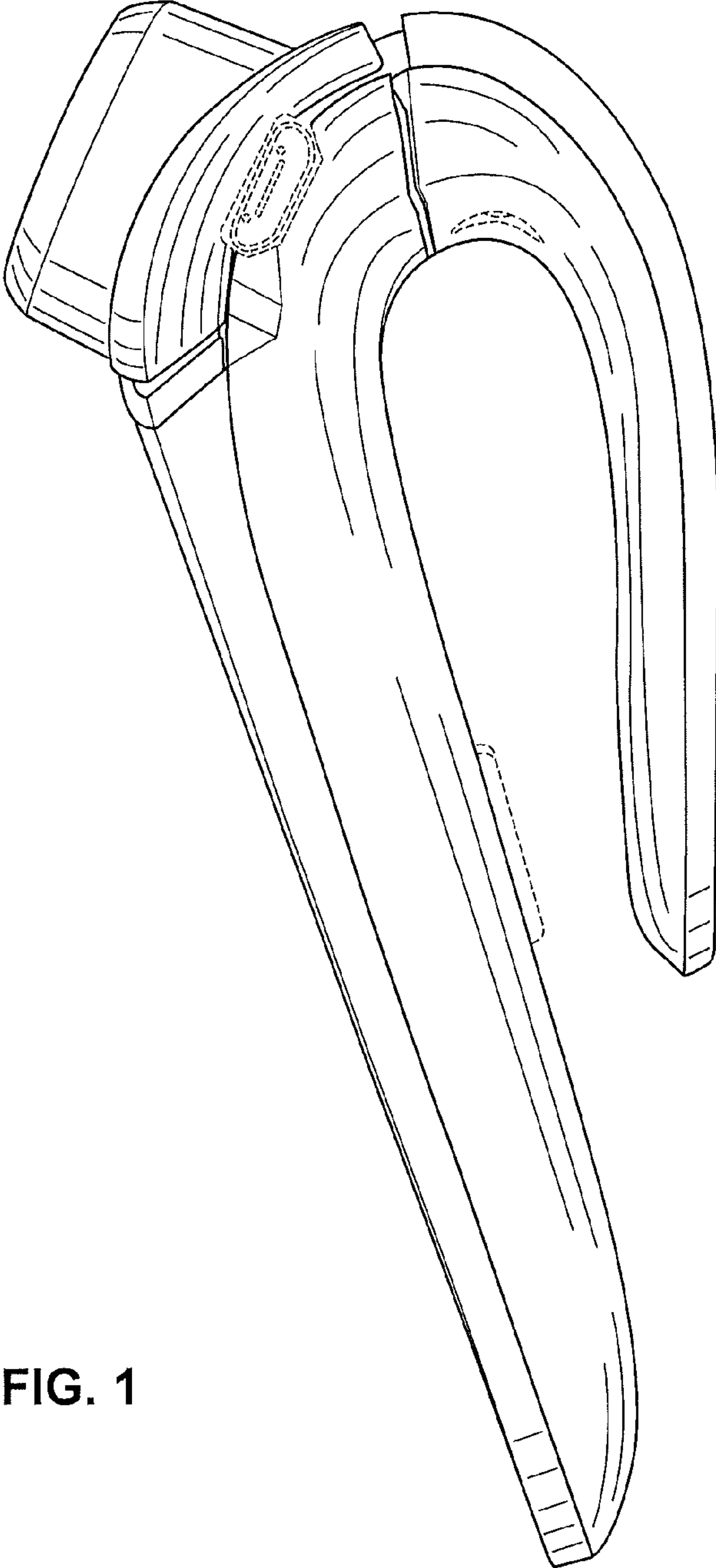


FIG. 1

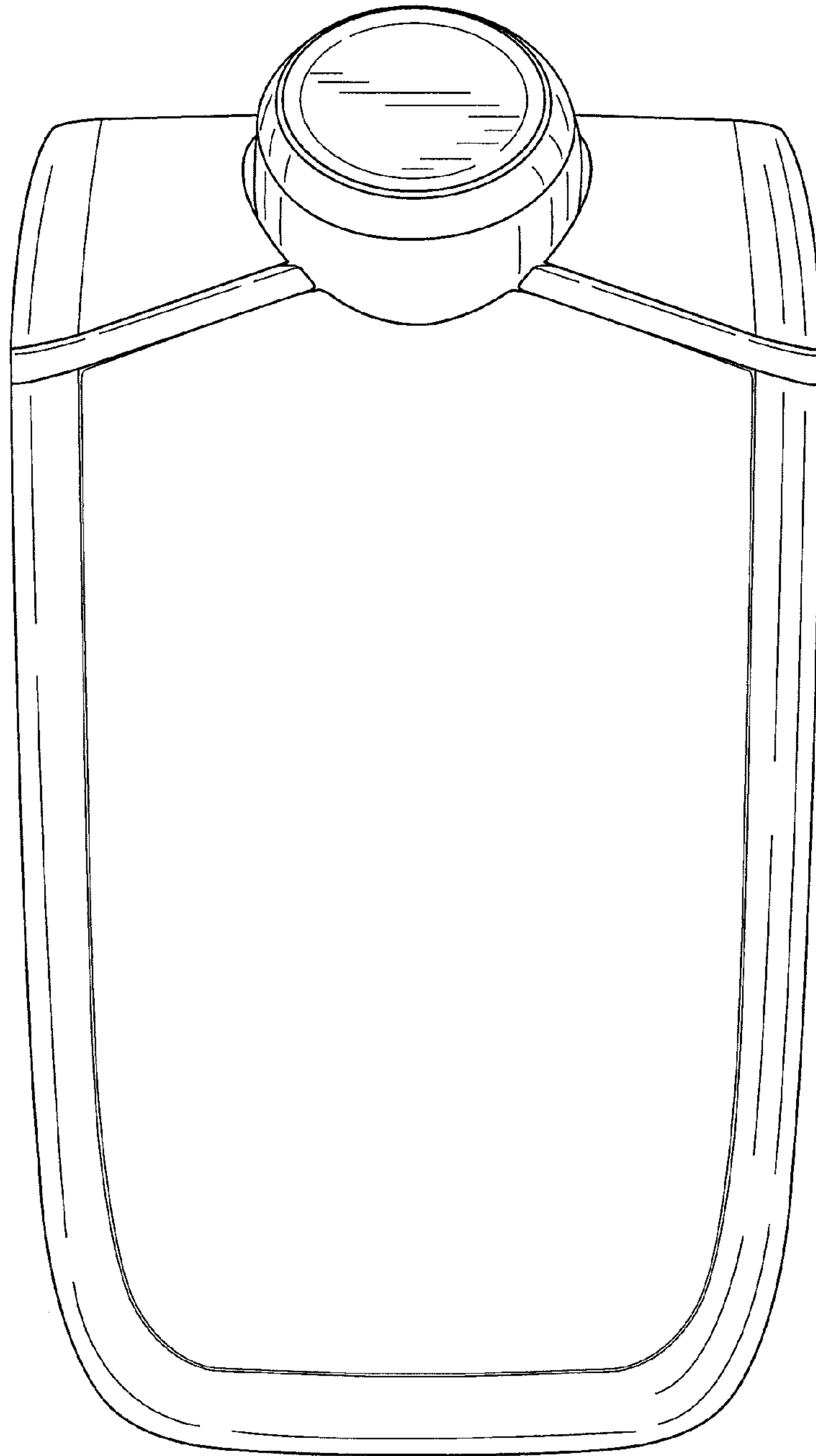


FIG. 2

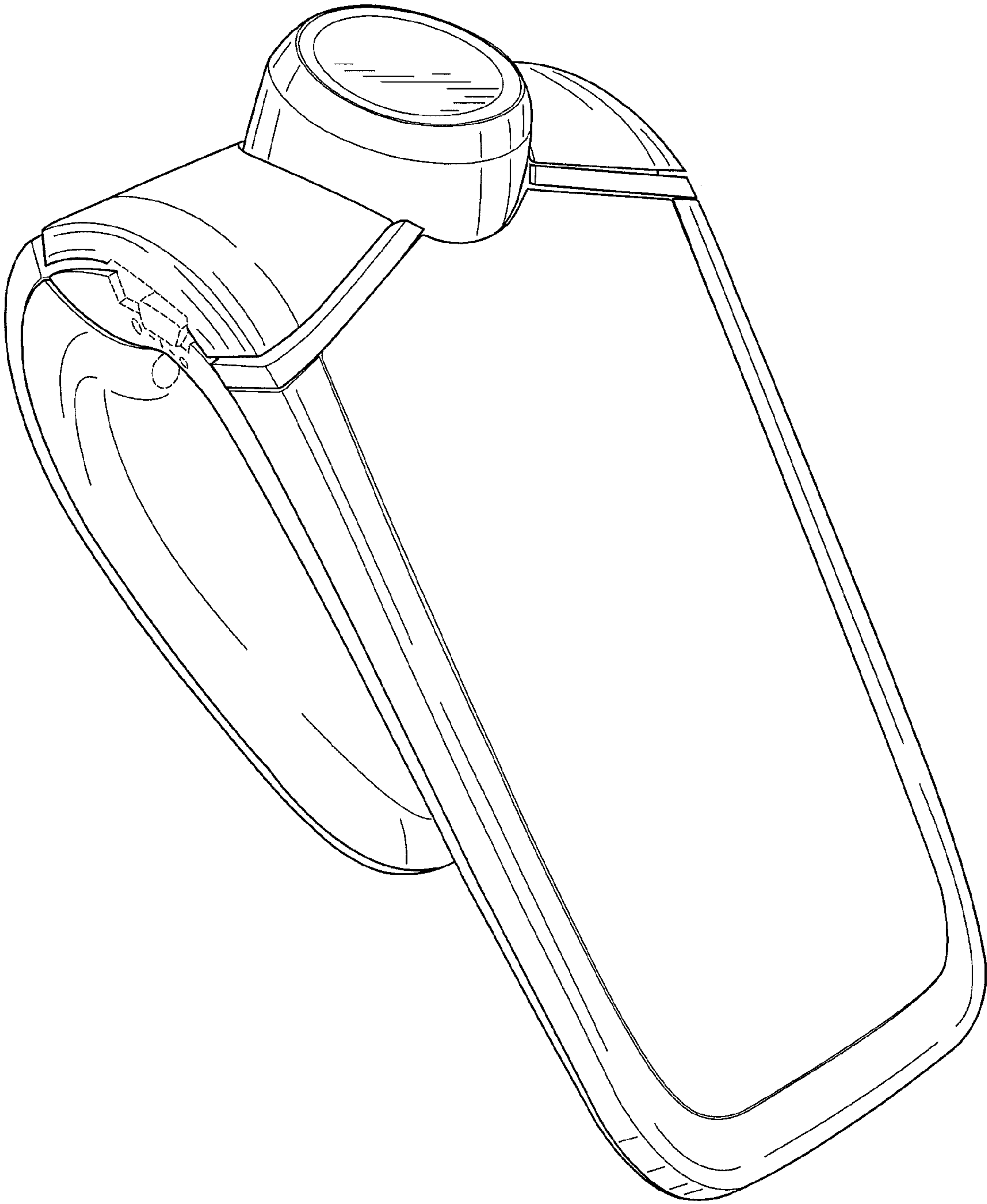


FIG. 3

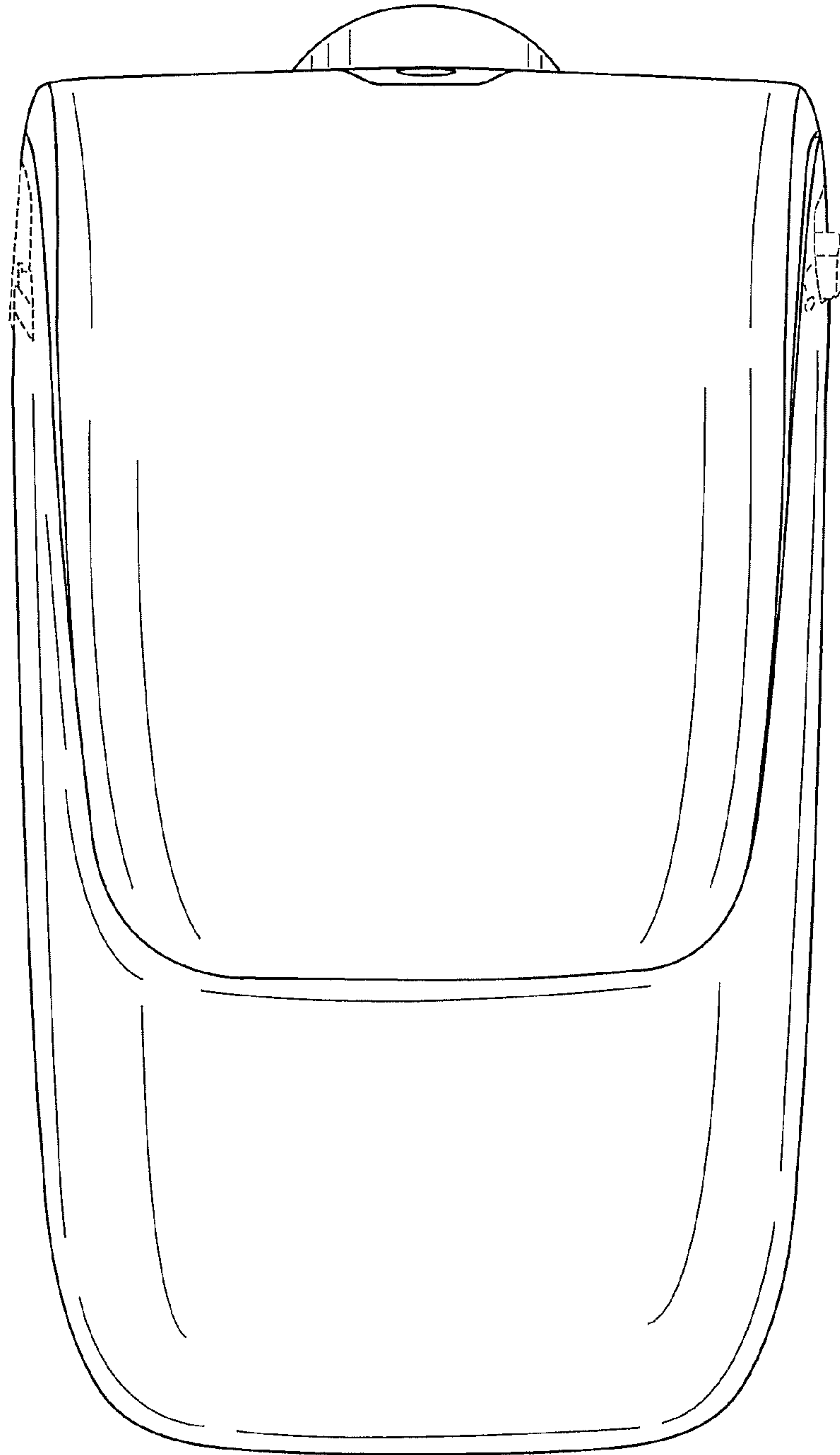


FIG. 4

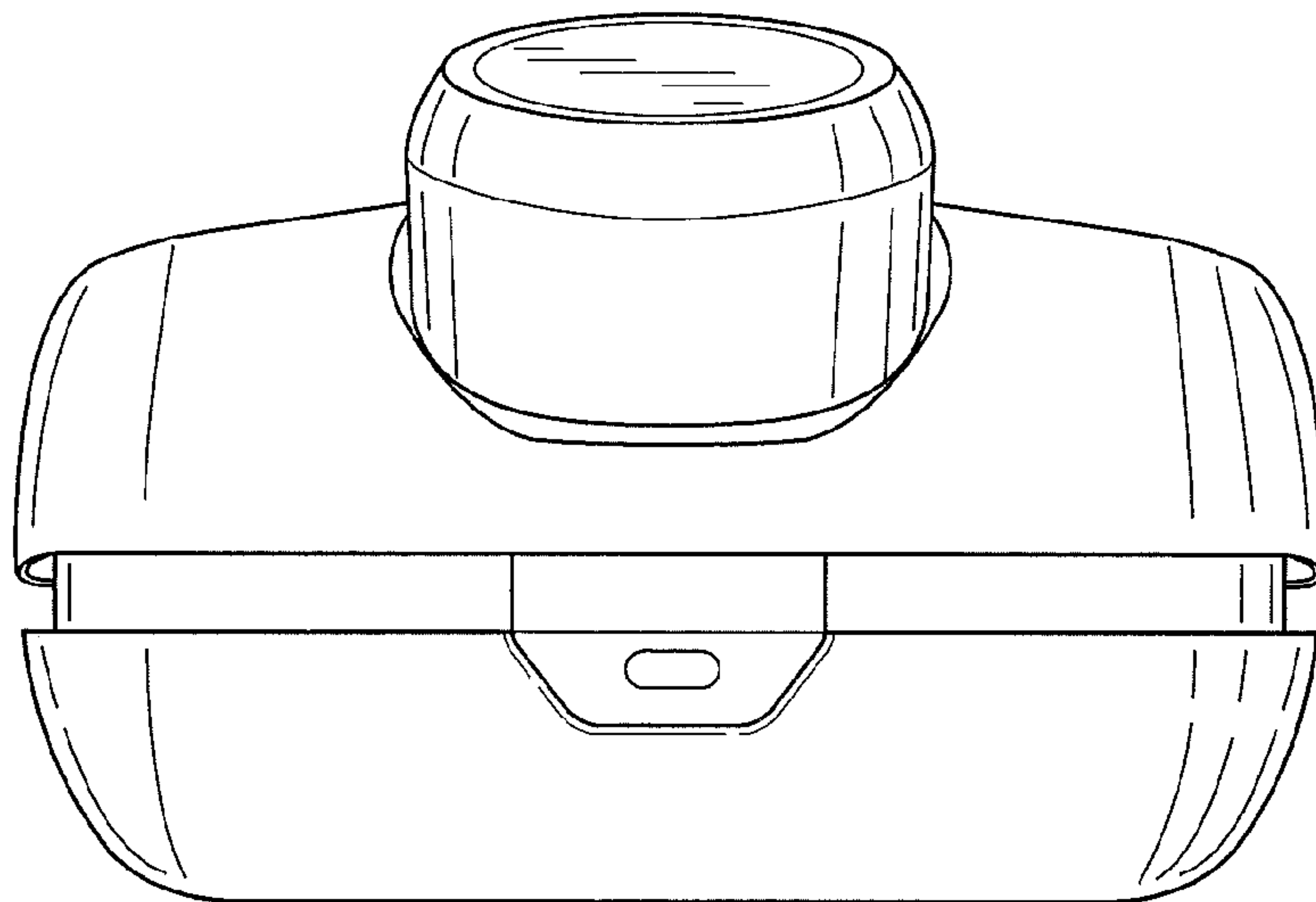


FIG. 5