



US00D697500S

(12) **United States Design Patent**  
**Tsai et al.**

(10) **Patent No.:** **US D697,500 S**  
(45) **Date of Patent:** **\*\* Jan. 14, 2014**

(54) **TOUCH REMOTE CONTROL**  
(71) Applicant: **Tianjin Funayuanhuang Technology Co., Ltd., Tianjin (CN)**  
(72) Inventors: **Ya-Fen Tsai, HsinChu (TW); Ming-Yao Tsai, HsinChu (TW)**  
(73) Assignee: **Tianjin Funayuanhuang Technology Co., Ltd., Tianjin (CN)**  
(\*\*) Term: **14 Years**  
(21) Appl. No.: **29/464,676**  
(22) Filed: **Aug. 20, 2013**  
(30) **Foreign Application Priority Data**

Jul. 26, 2013 (CN) ..... 2013 3 03548832

(51) **LOC (10) Cl.** ..... **14-03**

(52) **U.S. Cl.**  
USPC ..... **D14/218**

(58) **Field of Classification Search**  
USPC ..... D14/218, 455; D13/168; D21/566;  
D10/104, 106; 345/169; 348/14.05,  
348/114, 211.99, 734; 340/825.24; 341/22;  
455/92, 95, 128, 151.1-151.4, 352,  
455/355, FOR. 121; 700/65  
See application file for complete search history.

(56) **References Cited**

**U.S. PATENT DOCUMENTS**

D485,827 S \* 1/2004 Olson et al. .... D14/218  
D521,461 S \* 5/2006 Lin ..... D13/168  
D602,916 S \* 10/2009 Won et al. .... D14/218  
D608,765 S \* 1/2010 Tsai et al. .... D14/218

D613,272 S \* 4/2010 Painter ..... D14/218  
D626,535 S \* 11/2010 Kim et al. .... D14/218  
D629,393 S \* 12/2010 Chiu ..... D14/218  
D645,045 S \* 9/2011 Cacioppo et al. .... D14/388  
D647,884 S \* 11/2011 Moon et al. .... D14/218  
D648,326 S \* 11/2011 Sung et al. .... D14/218  
D650,365 S \* 12/2011 McManigal et al. .... D14/218  
D656,127 S \* 3/2012 Kay et al. .... D14/218  
D660,825 S \* 5/2012 Harden et al. .... D14/218  
D662,085 S \* 6/2012 Yoshikawa et al. .... D14/218  
D663,721 S \* 7/2012 McManigal et al. .... D14/218  
D667,381 S \* 9/2012 Rolli et al. .... D13/168  
D670,658 S \* 11/2012 Iliffe-Moon et al. .... D13/168  
D676,605 S \* 2/2013 Marden ..... D28/59  
D681,012 S \* 4/2013 Fei et al. .... D14/218  
D686,195 S \* 7/2013 Hong et al. .... D14/218  
D692,416 S \* 10/2013 Tu ..... D14/218

\* cited by examiner

*Primary Examiner* — John Windmuller

(74) *Attorney, Agent, or Firm* — Altis Law Group, Inc.

(57) **CLAIM**

The ornamental design for a touch remote control, as shown and described.

**DESCRIPTION**

FIG. 1 is a perspective view of a touch remote control showing our design;

FIG. 2 is a perspective view thereof;

FIG. 3 is a front elevation view thereof;

FIG. 4 is a rear elevation view thereof;

FIG. 5 is a left side elevation view thereof;

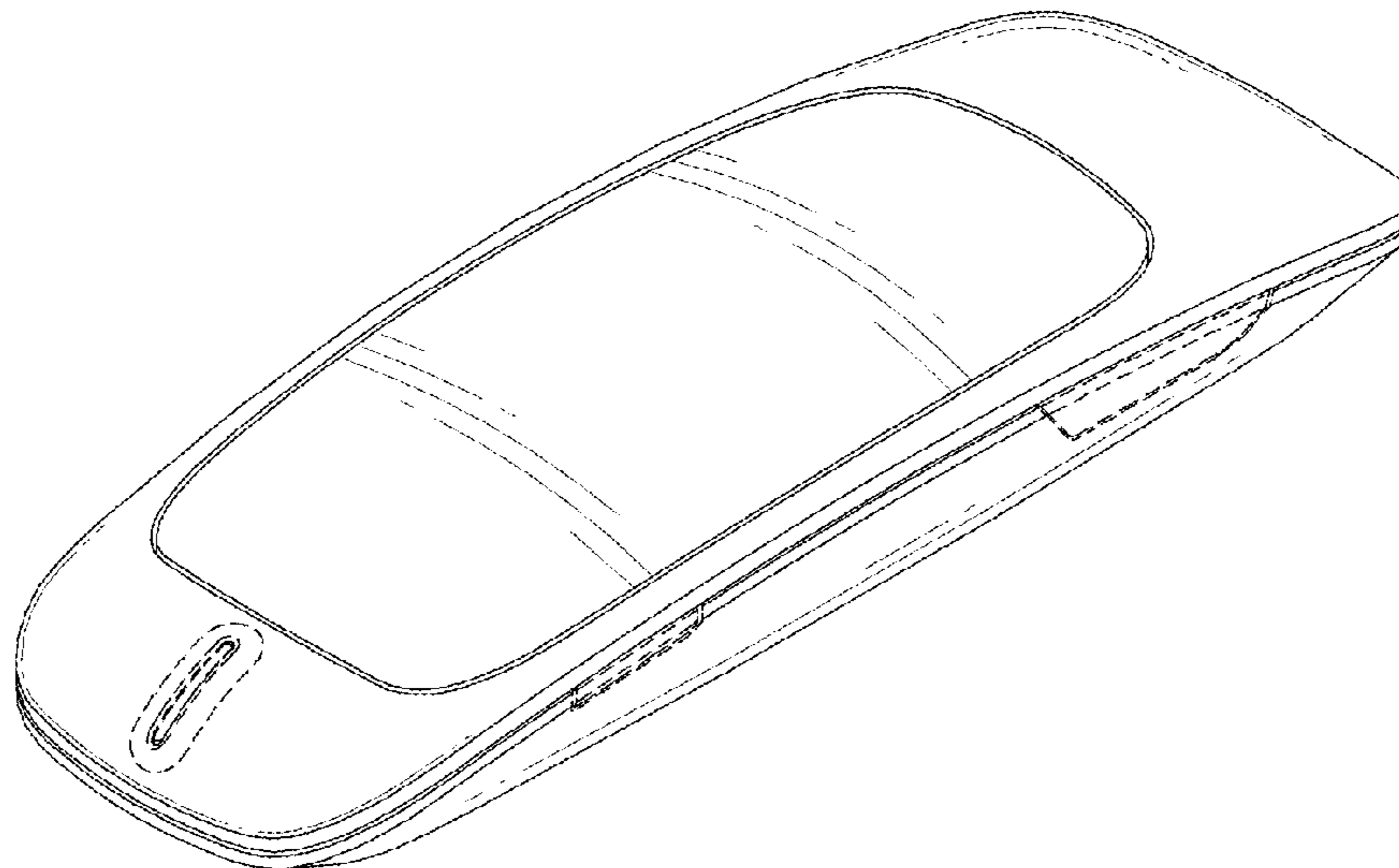
FIG. 6 is a right side elevation view thereof;

FIG. 7 is a top plan view thereof; and,

FIG. 8 is a bottom plan view thereof.

The broken lines in the figures depict portions of the touch remote control that form no part of the claimed design.

**1 Claim, 8 Drawing Sheets**



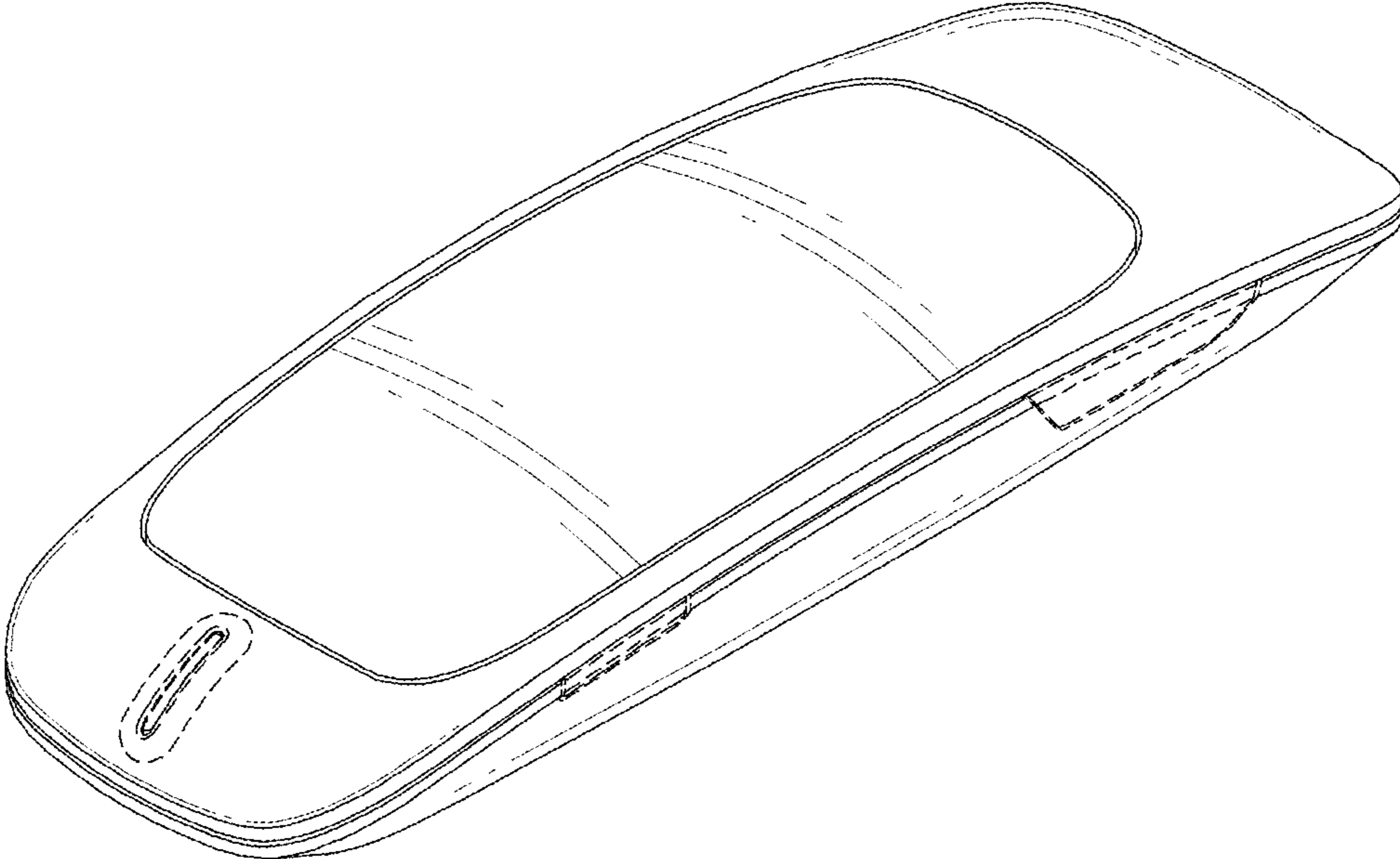


FIG. 1

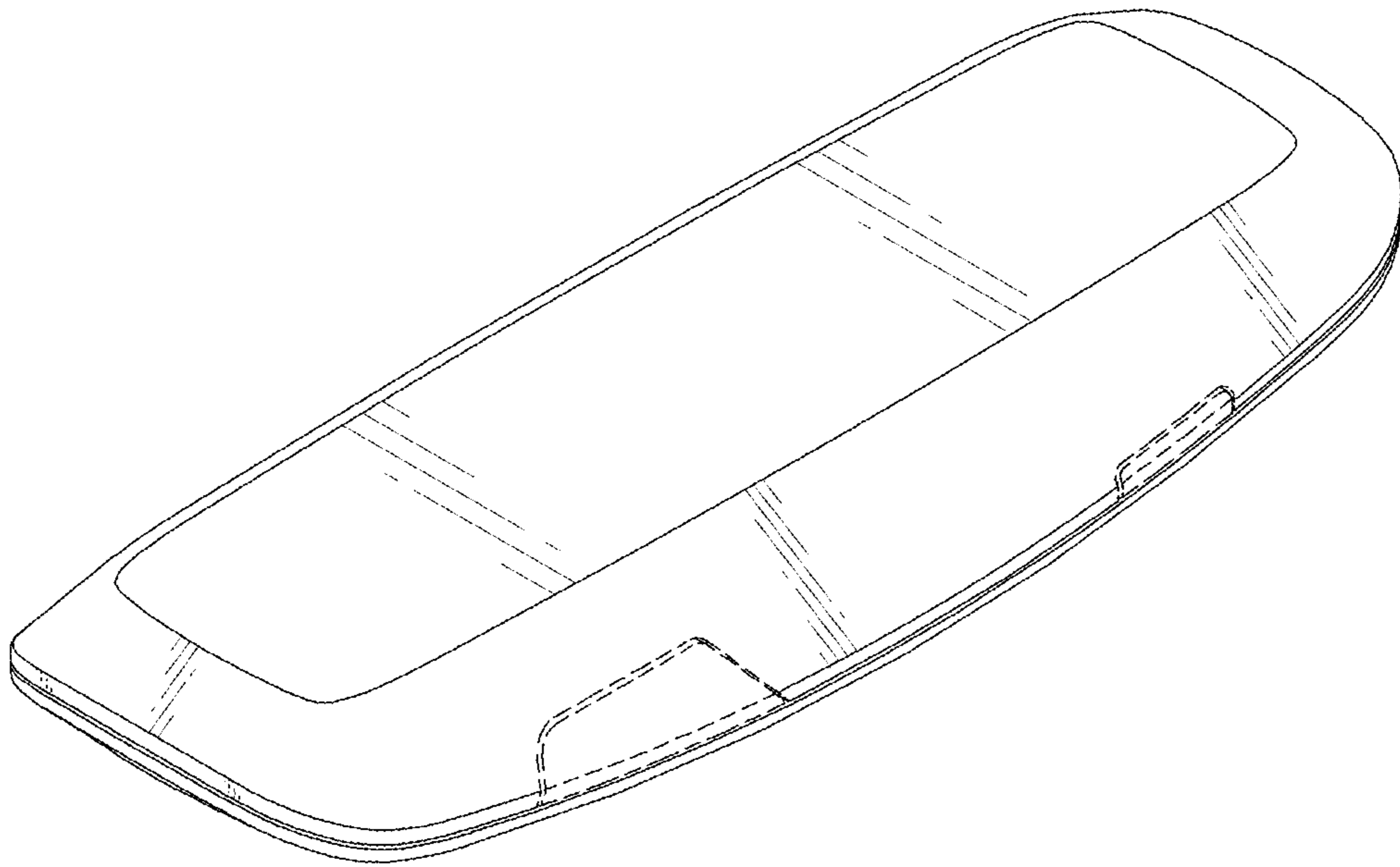


FIG. 2

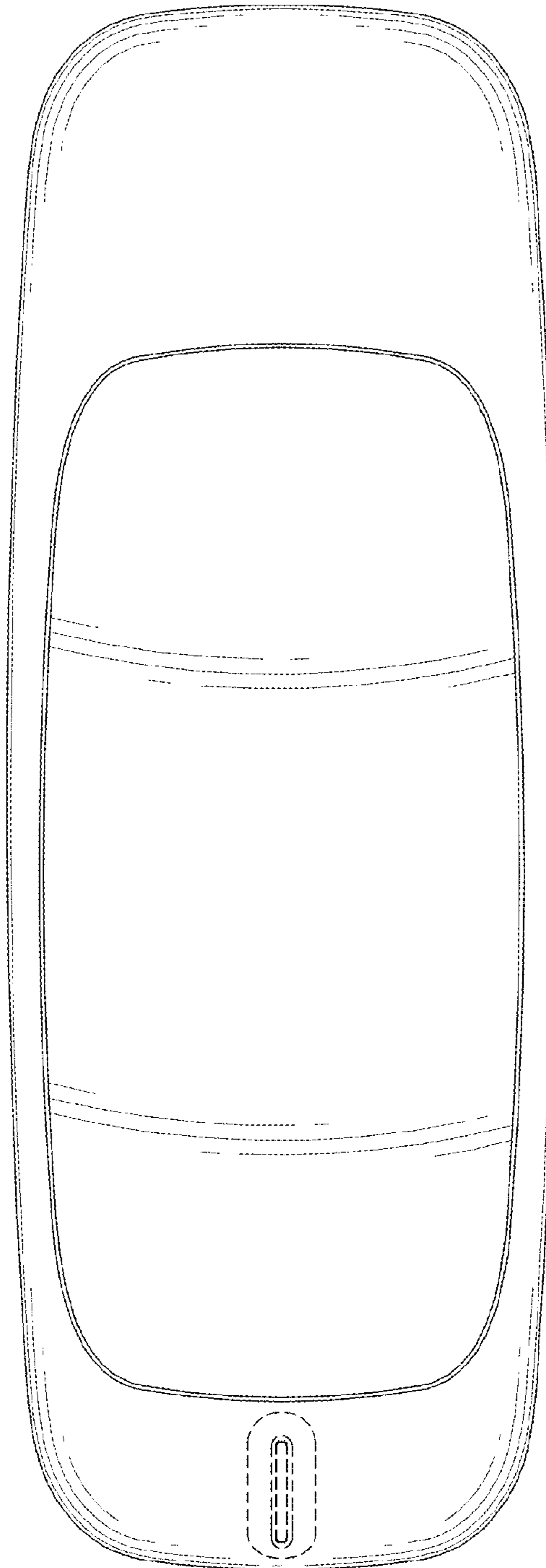


FIG. 3

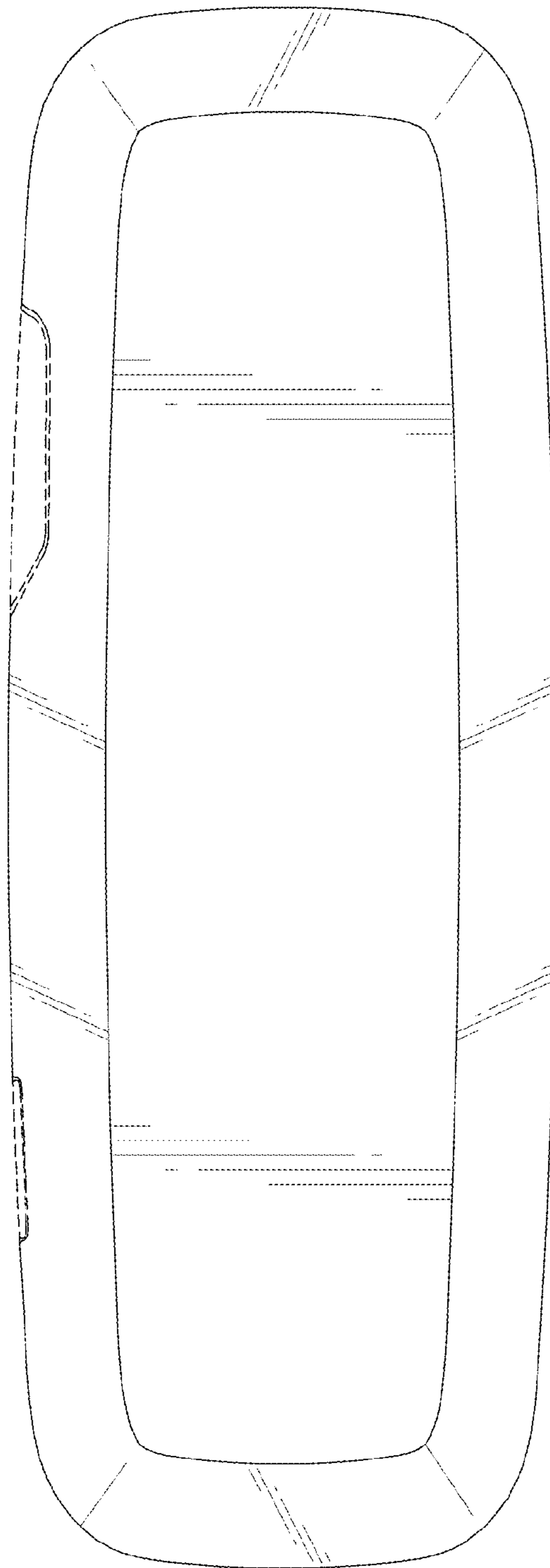


FIG. 4

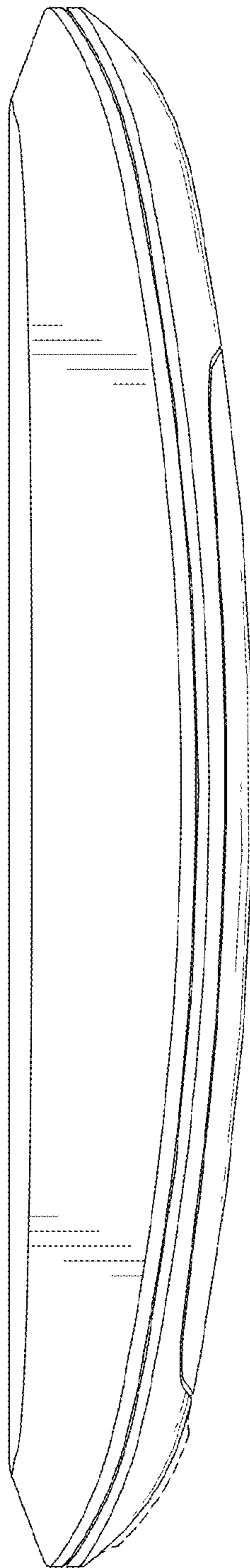


FIG. 5

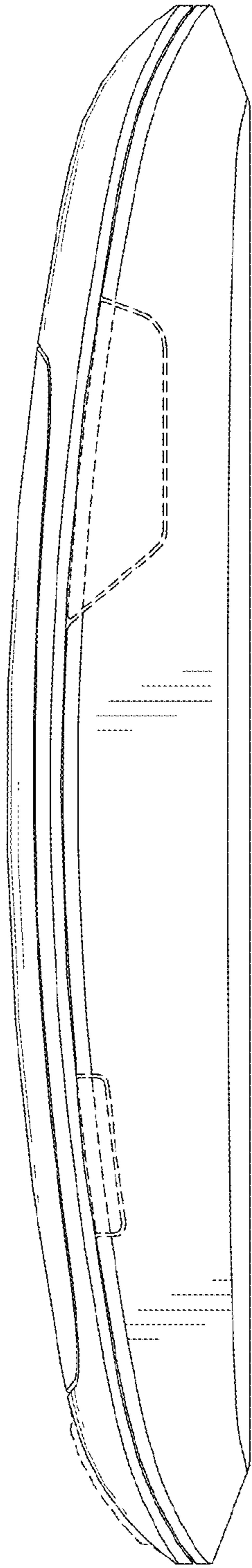


FIG. 6

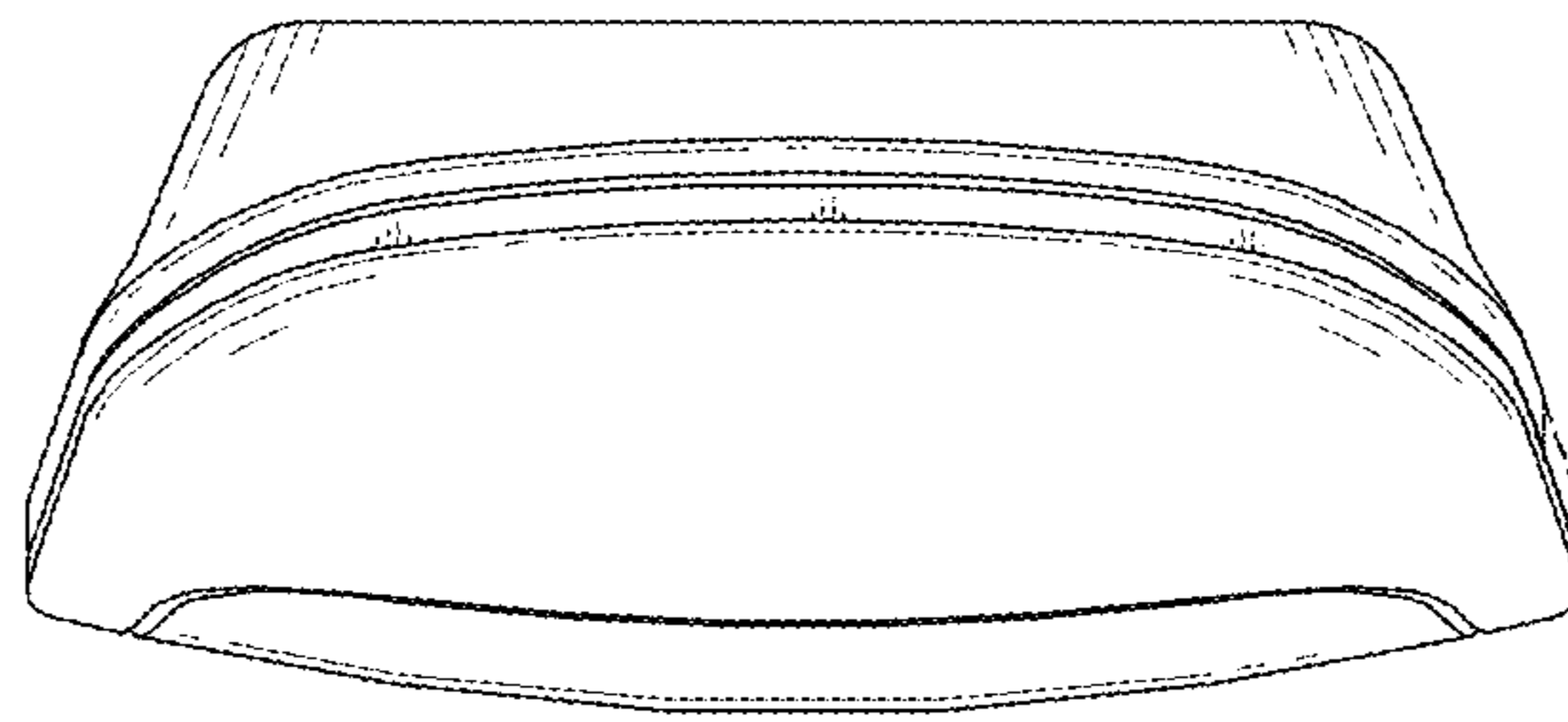


FIG. 7



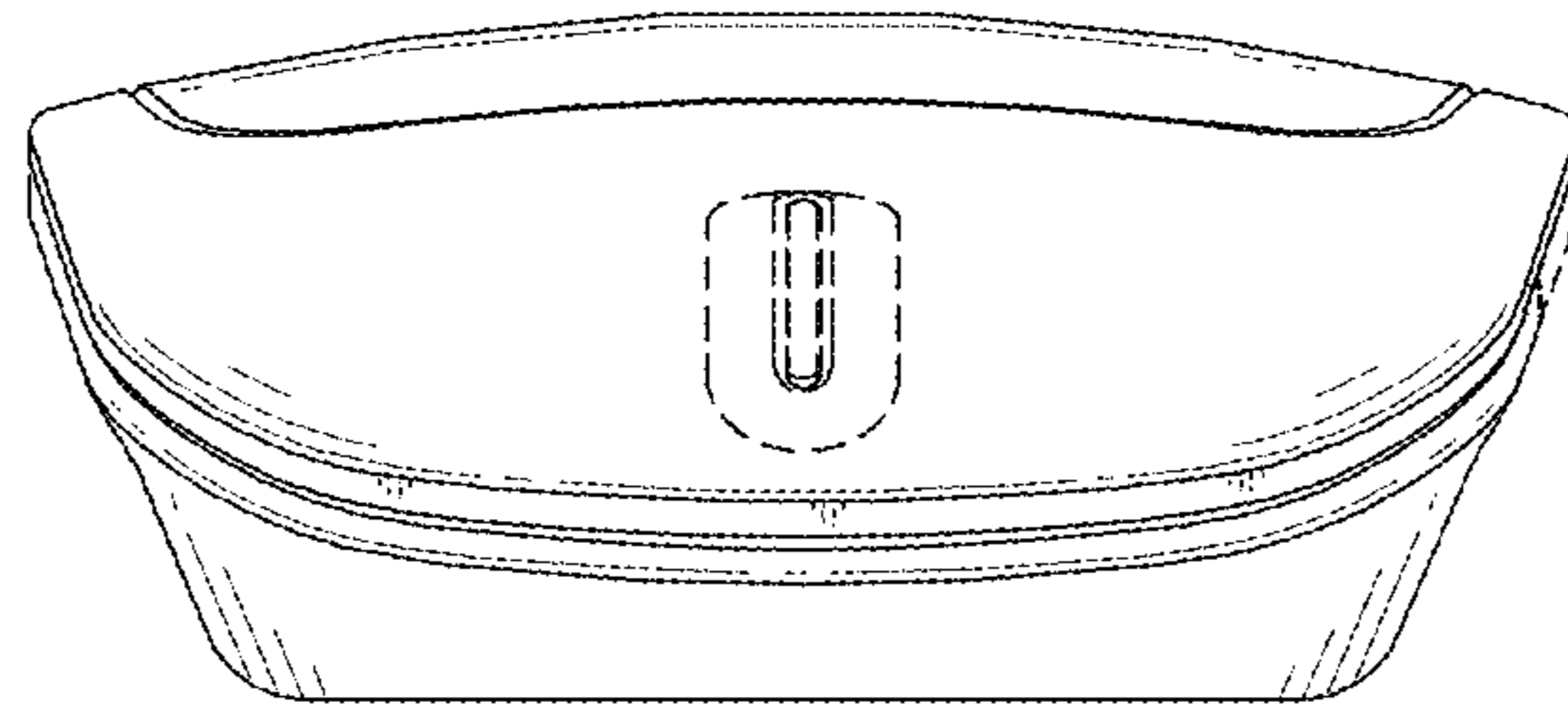


FIG. 8