

US00D697498S

(12) **United States Design Patent**
Forde et al.

(10) **Patent No.:** **US D697,498 S**
(45) **Date of Patent:** **** Jan. 14, 2014**

(54) **REMOTE CONTROL**

(71) Applicants: **Kevin Forde**, Newark, CA (US); **Jose Arcellana**, Newark, CA (US); **Ranjit Sidhu**, Newark, CA (US); **Mathew Bates**, Deans Grange (IE); **David Fleming**, Newark, CA (US)

(72) Inventors: **Kevin Forde**, Newark, CA (US); **Jose Arcellana**, Newark, CA (US); **Ranjit Sidhu**, Newark, CA (US); **Mathew Bates**, Deans Grange (IE); **David Fleming**, Newark, CA (US)

(73) Assignee: **Logitech Europe S.A.**, Lausanne (CH)

(**) Term: **14 Years**

(21) Appl. No.: **29/433,565**

(22) Filed: **Oct. 1, 2012**

(51) **LOC (10) Cl.** **14-03**

(52) **U.S. Cl.**
USPC **D14/218**

(58) **Field of Classification Search**
USPC D14/218, 455, 341, 345, 346, 138 AB;
D13/168; D21/566; D10/104, 106;
345/169; 348/14.05, 114, 211.99, 734;
340/825.24, 825.69; 341/22; 455/92,
455/95, 128, 151.1-151.4, 352, 355,
455/FOR. 121; 700/65

See application file for complete search history.

(56) **References Cited**

U.S. PATENT DOCUMENTS

| | | | |
|--------------|---------|------------------------|---------|
| D517,050 S * | 3/2006 | Mabry et al. | D14/218 |
| D517,530 S * | 3/2006 | Mabry et al. | D14/218 |
| D542,281 S * | 5/2007 | Mabry et al. | D14/218 |
| D555,107 S * | 11/2007 | Choi et al. | D13/168 |
| D559,202 S * | 1/2008 | Sim et al. | D13/168 |
| D605,634 S * | 12/2009 | Lewis et al. | D14/218 |
| D607,846 S * | 1/2010 | Daniels | D13/168 |
| D630,188 S * | 1/2011 | Daniels | D14/218 |
| D636,761 S * | 4/2011 | Hansen et al. | D14/218 |
| D671,529 S * | 11/2012 | Zaliauskas et al. | D14/218 |

* cited by examiner

Primary Examiner — John Windmuller

(74) *Attorney, Agent, or Firm* — Kilpatrick Townsend & Stockton LLP

(57) **CLAIM**

The ornamental design for a remote control, as shown and described.

DESCRIPTION

FIG. 1 is a perspective view of a remote control showing our new design;
FIG. 2 is a top plan view thereof;
FIG. 3 is a bottom plan view thereof;
FIG. 4 is a left side elevation view, thereof;
FIG. 5 is a right side elevation view, thereof;
FIG. 6 is a rear elevation view thereof; and,
FIG. 7 is a front elevation view thereof.

1 Claim, 3 Drawing Sheets

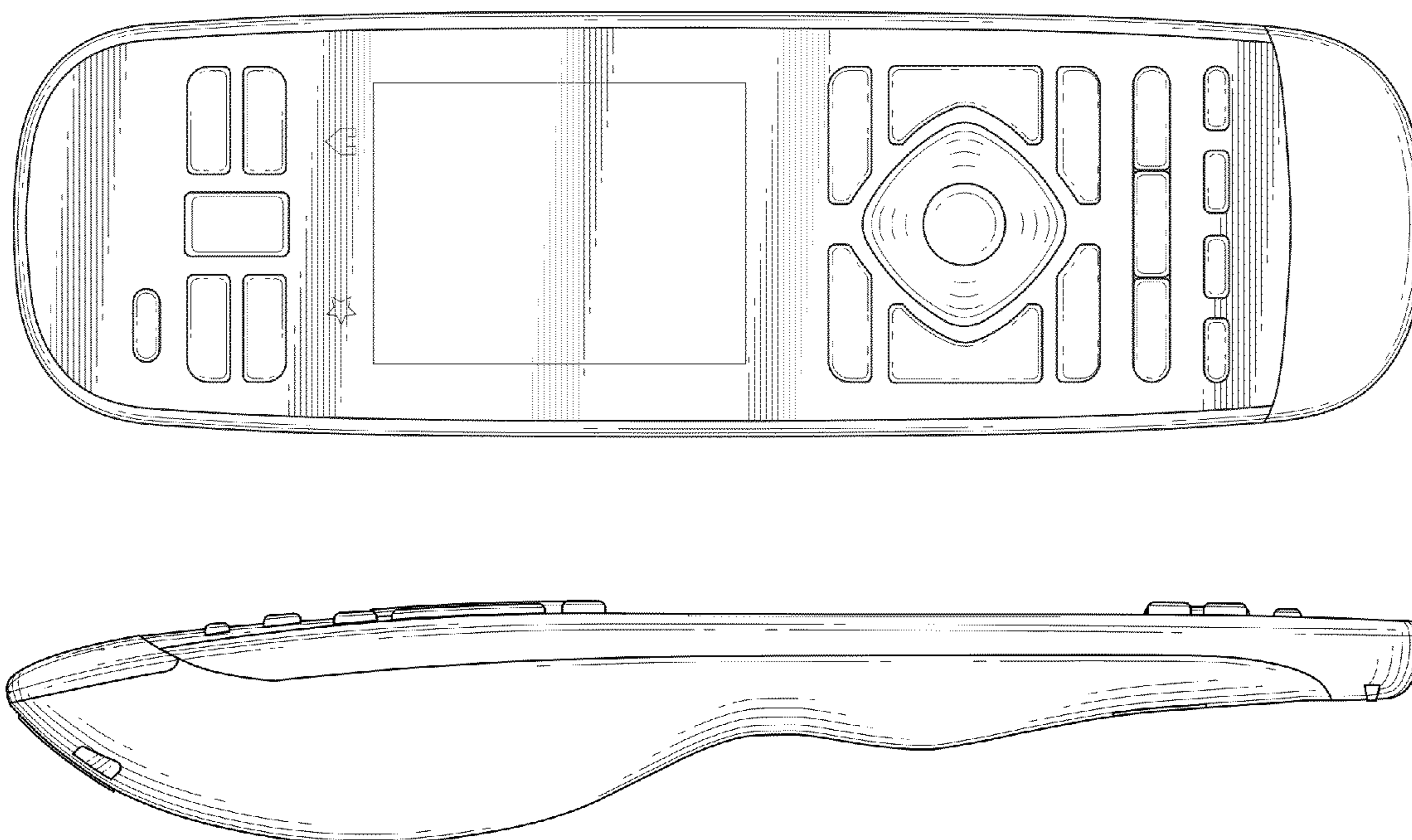


FIG. 1

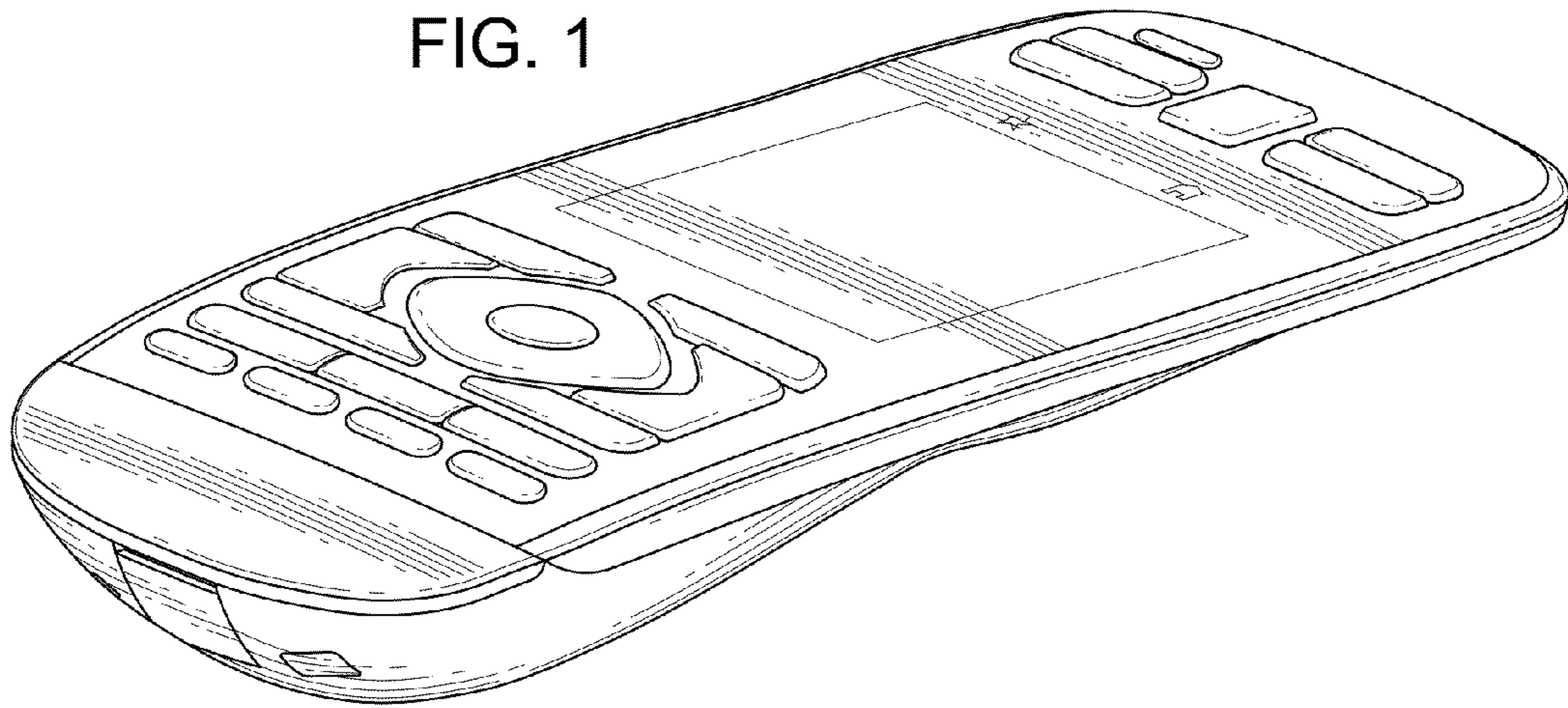


FIG. 6

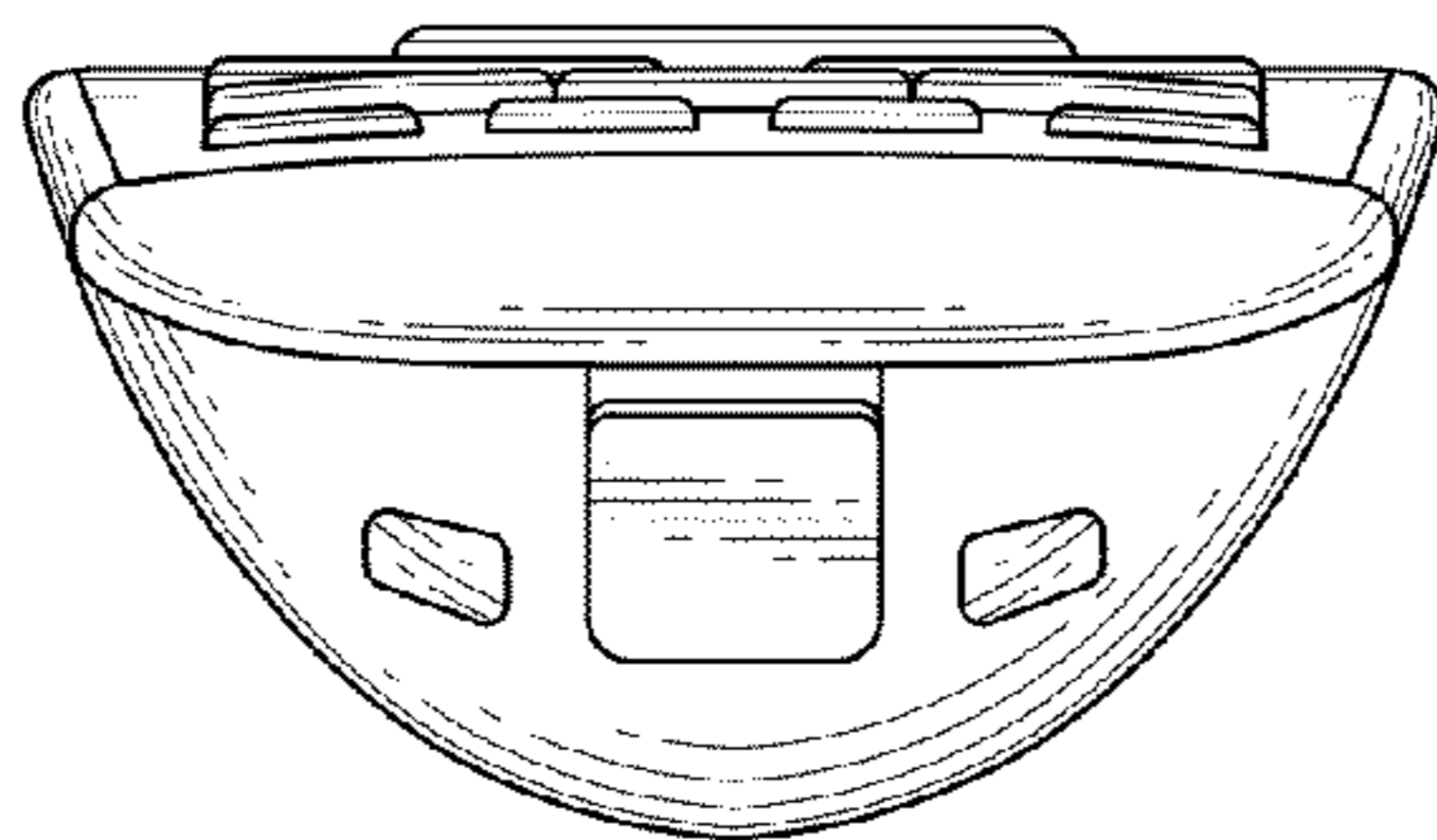


FIG. 7

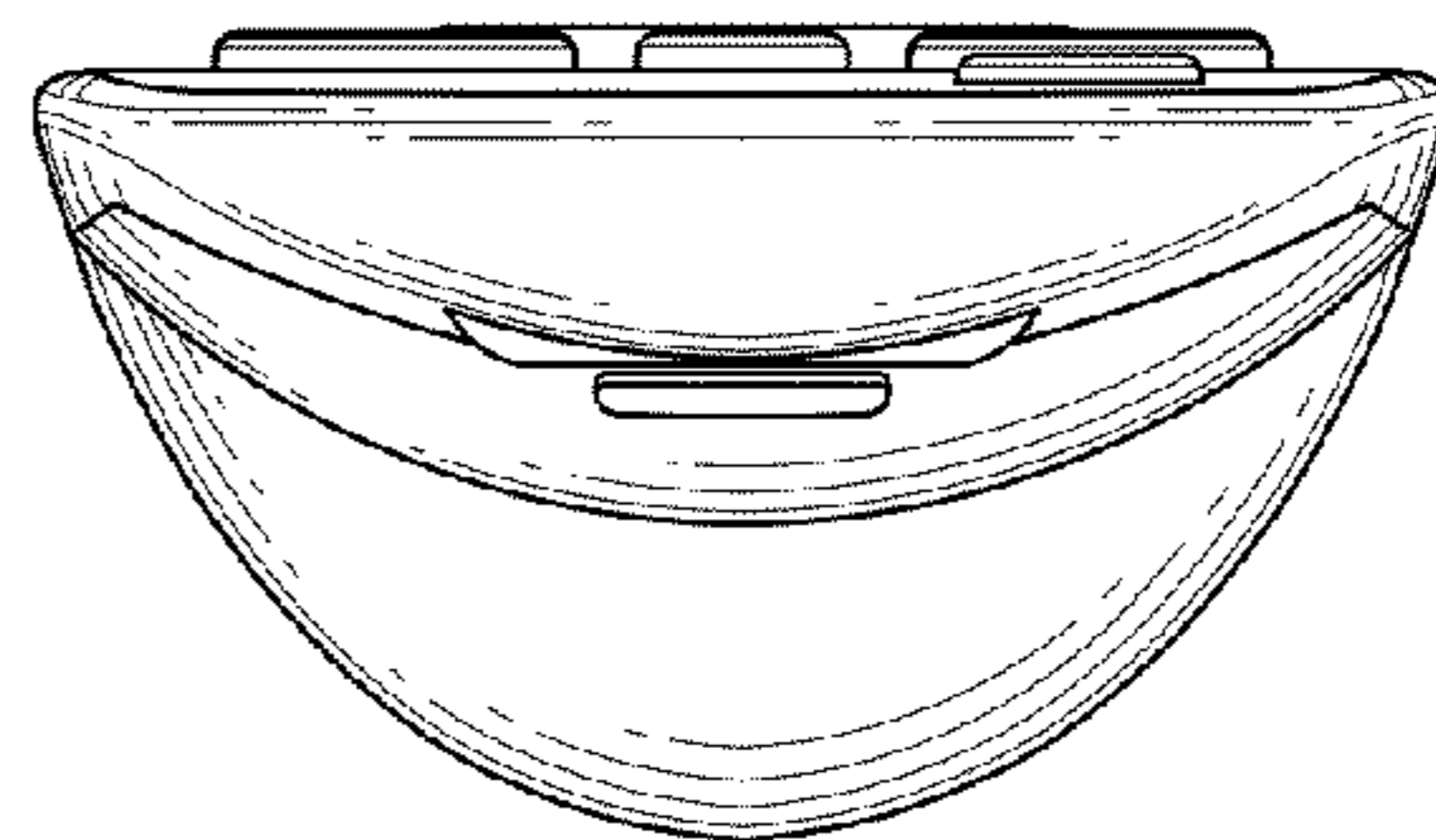


FIG. 2

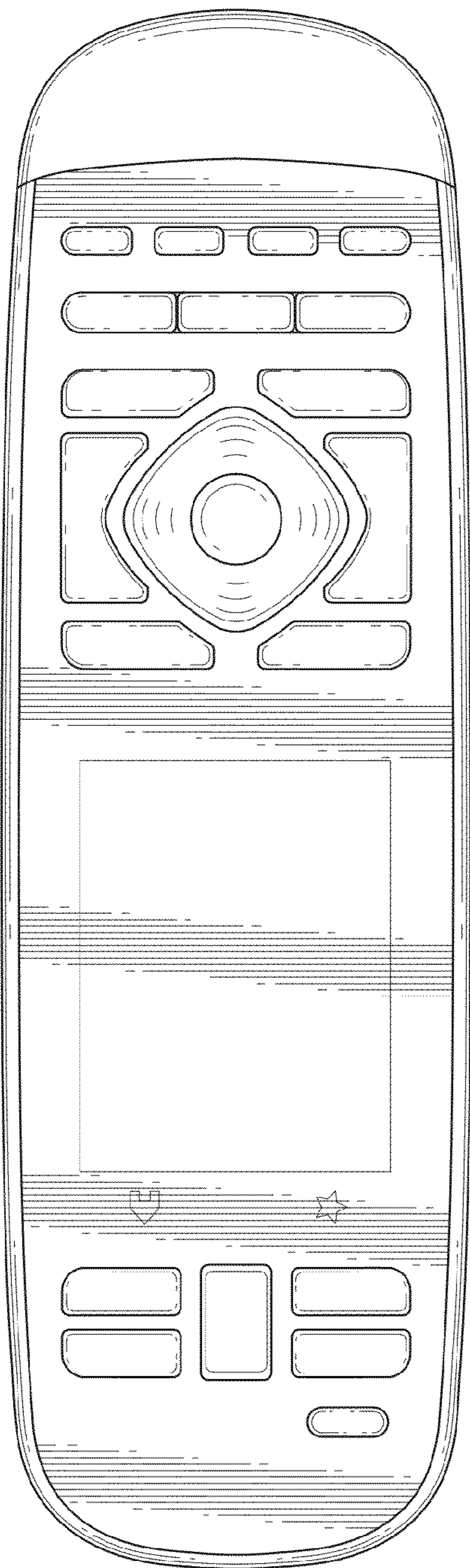


FIG. 3

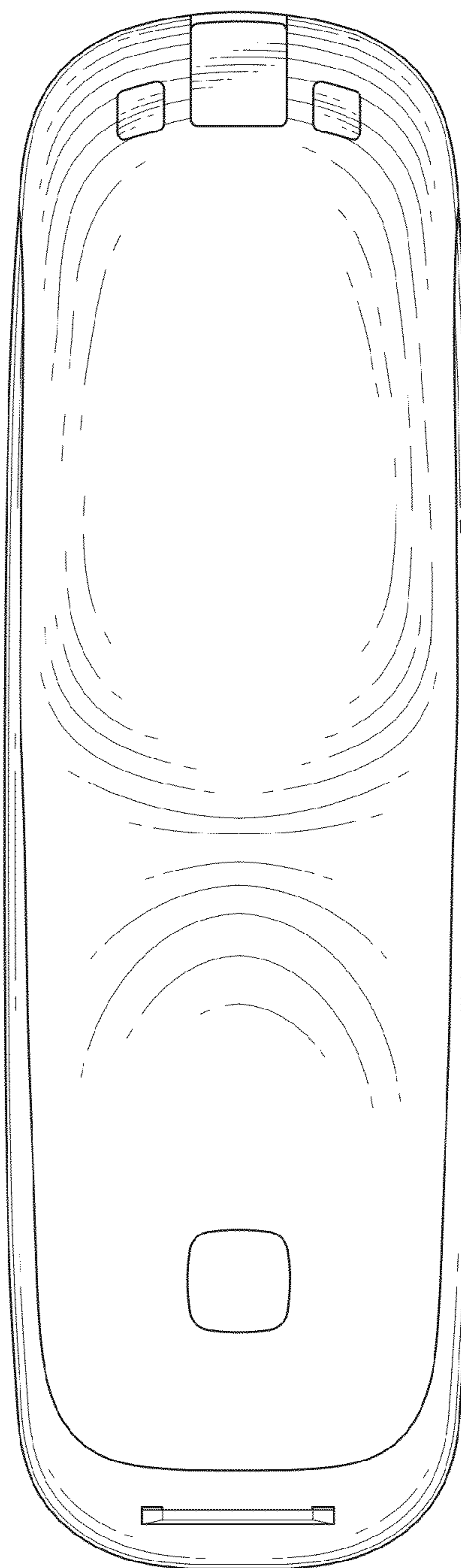


FIG. 4

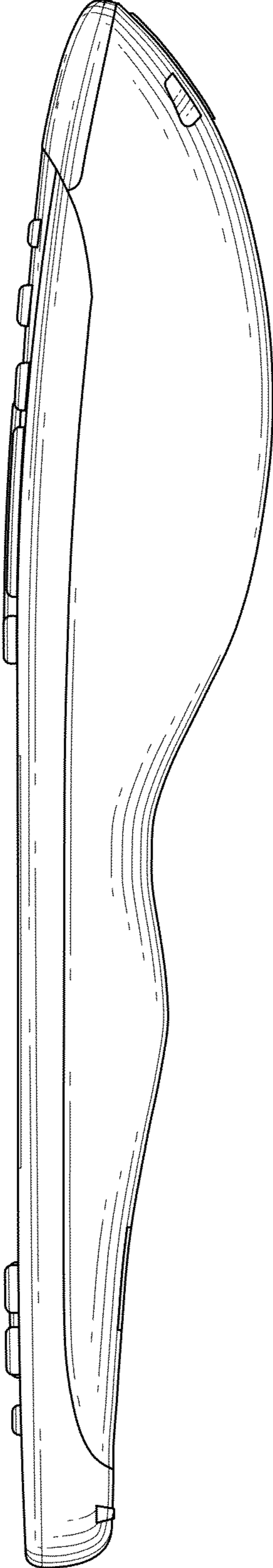


FIG. 5

