

US00D697495S

(12) **United States Design Patent**  
**Lian**

(10) **Patent No.:** **US D697,495 S**  
(45) **Date of Patent:** **\*\* Jan. 14, 2014**

(54) **BLUETOOTH® STEREO HEADSET**

(76) Inventor: **Huiqiang Lian**, Zhongshan (CN)

(\*\*) Term: **14 Years**

(21) Appl. No.: **29/415,611**

(22) Filed: **Mar. 13, 2012**

(30) **Foreign Application Priority Data**

Sep. 13, 2011 (CN) ..... 2011 3 0319343

(51) **LOC (10) Cl.** ..... **14-05**

(52) **U.S. Cl.**  
USPC ..... **D14/205**

(58) **Field of Classification Search**  
USPC ..... D14/205, 206, 223, 188, 192; 181/129,  
181/130, 135; 2/209; 379/430, 431;  
381/380, 381; D29/112; 455/90.3,  
455/575.1

See application file for complete search history.

(56) **References Cited**

**U.S. PATENT DOCUMENTS**

3,681,540	A *	8/1972	Thomson	381/378
4,175,217	A *	11/1979	Williams	379/430
D266,417	S *	10/1982	Perez	D14/165
D313,092	S *	12/1990	Nilsson	D29/112
D317,767	S *	6/1991	Banks	D14/205
D321,874	S *	11/1991	Ando	D14/151
D324,385	S *	3/1992	Yoda et al.	D14/192
5,113,428	A *	5/1992	Fitzgerald	455/575.2
D345,162	S *	3/1994	Yamatogi	D14/205
D346,380	S *	4/1994	Fitzgerald	D14/138 R
D351,172	S *	10/1994	Nakamura et al.	D14/205
D352,036	S *	11/1994	Sekita	D14/192
D386,181	S *	11/1997	Fisher	D14/205
D394,062	S *	5/1998	Chun	D14/192

5,794,127	A *	8/1998	Lansang	455/66.1
D402,575	S *	12/1998	Jones	D10/106.1
D411,200	S *	6/1999	Almqvist	D14/192
D441,734	S *	5/2001	Fitzgerald	D14/142
D444,140	S *	6/2001	Ishibashi	D14/192
D449,290	S *	10/2001	Taylor et al.	D14/206
D456,379	S *	4/2002	Fitzgerald	D14/142
D484,485	S *	12/2003	Matsuoka	D14/205
D491,917	S *	6/2004	Asai	D14/205
D504,414	S *	4/2005	Yoshida	D14/192
7,245,735	B2 *	7/2007	Han	381/371
D565,480	S *	4/2008	McMahan	D12/163
D573,581	S *	7/2008	Gondo et al.	D14/205
D576,604	S *	9/2008	Suzuki	D14/205
D588,100	S *	3/2009	Densho et al.	D14/205

(Continued)

*Primary Examiner* — Paula Greene

(57) **CLAIM**

The ornamental design for a Bluetooth® stereo headset, as shown and described.

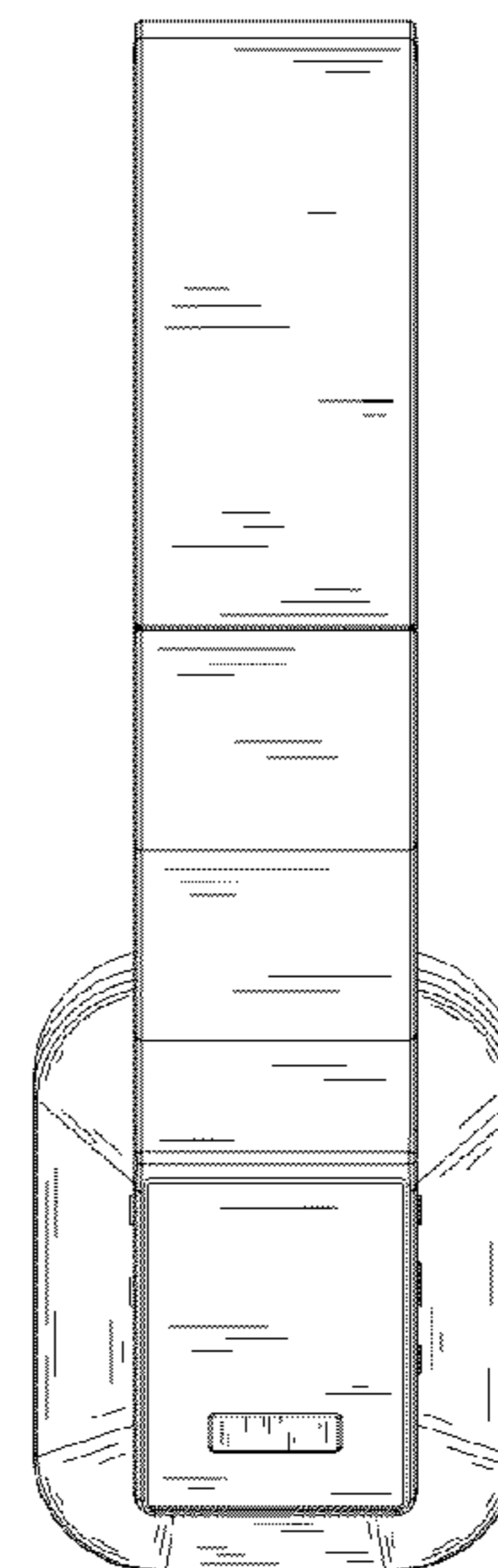
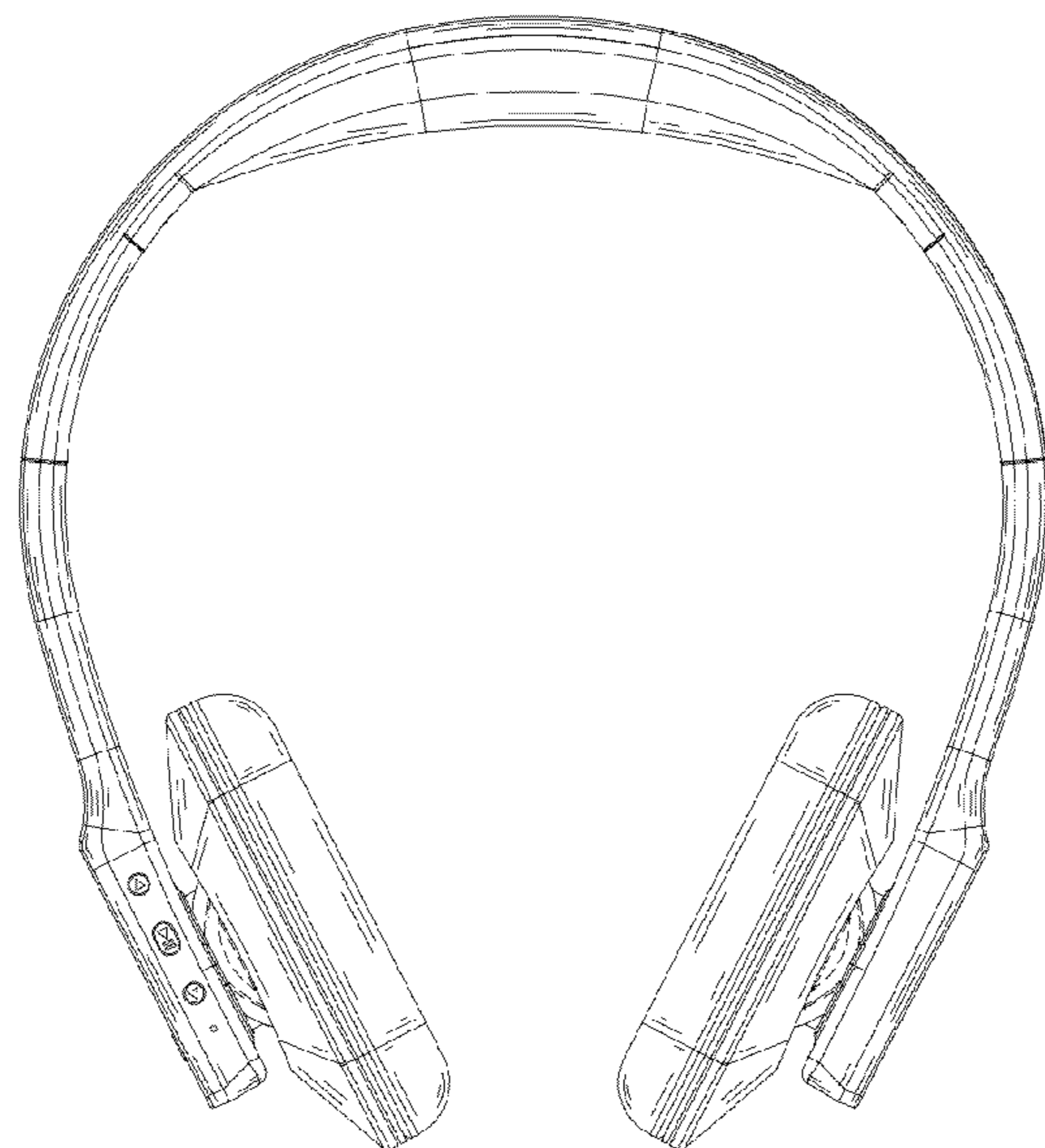
**DESCRIPTION**

FIG. 1 is a front view of the Bluetooth® stereo headset; FIG. 2 is a rear view of the Bluetooth® stereo headset; FIG. 3 is a left view of the Bluetooth® stereo headset; FIG. 4 is a right view of the Bluetooth® stereo headset; FIG. 5 is a top view of the Bluetooth® stereo headset; FIG. 6 is a bottom view of the Bluetooth® stereo headset; FIG. 7 is a perspective view of the Bluetooth® stereo headset; FIG. 8 is a perspective view of the Bluetooth® stereo headset with the headband in an expanded position; and, FIG. 9 is a perspective view of the Bluetooth® stereo headset in a folded position.

The broken lines form no part of the claimed design.

It is noted that the word Bluetooth forming part of the claimed design is a registered trademark owned by Bluetooth®SIG.

**1 Claim, 4 Drawing Sheets**



(56)

**References Cited**

U.S. PATENT DOCUMENTS

D593,995 S \* 6/2009 Shimizu ..... D14/205  
D638,397 S \* 5/2011 McManigal ..... D14/205  
D639,776 S \* 6/2011 Arimoto ..... D14/205  
D641,725 S \* 7/2011 Chong et al. .... D14/205

D666,579 S \* 9/2012 Hou ..... D14/205  
D666,992 S \* 9/2012 Lee et al. .... D14/205  
D668,633 S \* 10/2012 Enquist ..... D14/205  
D675,595 S \* 2/2013 Cho et al. .... D14/205  
D678,859 S \* 3/2013 Lee ..... D14/205  
D690,680 S \* 10/2013 McManigal ..... D14/205

\* cited by examiner

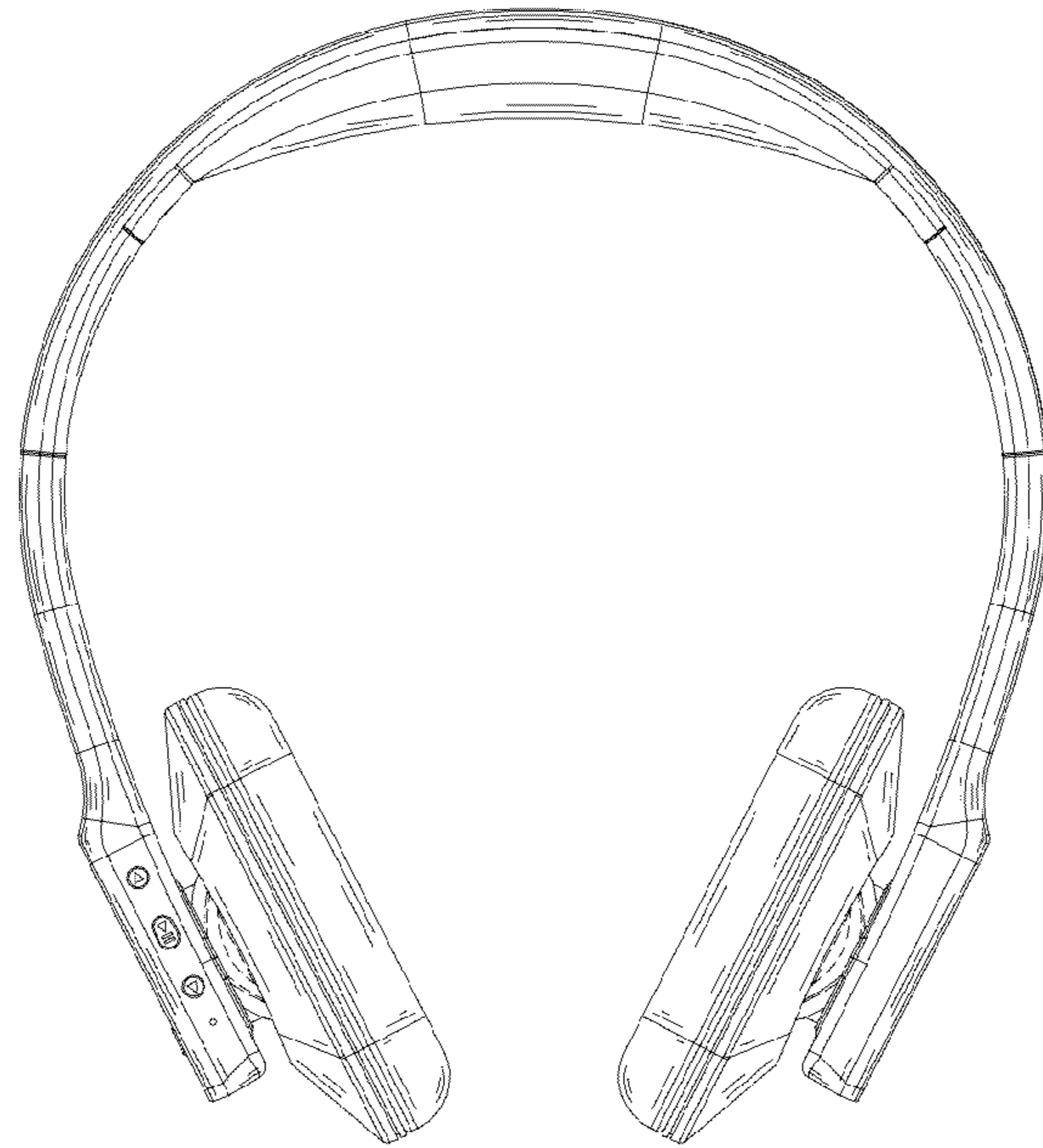


FIG.1

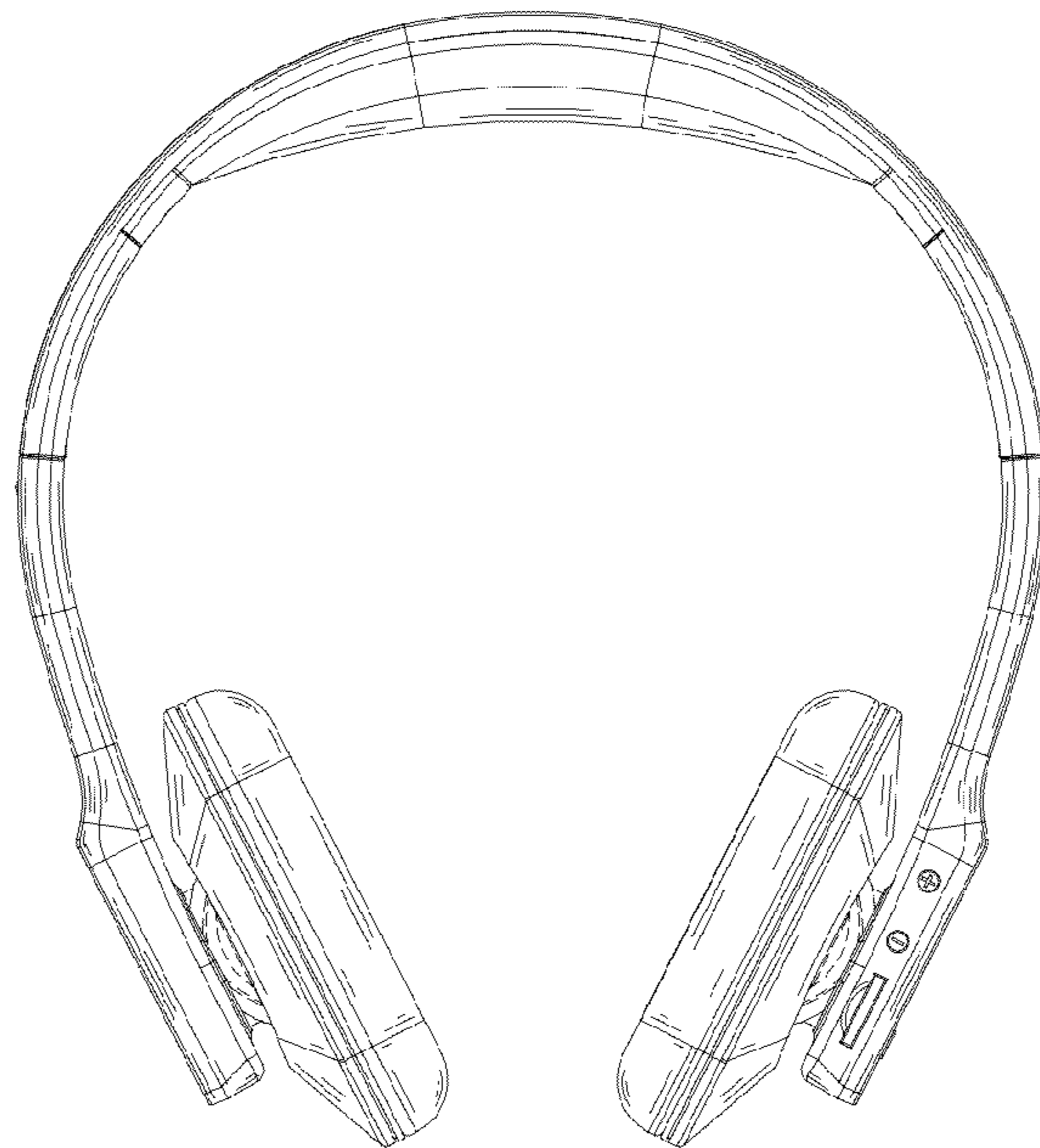


FIG.2

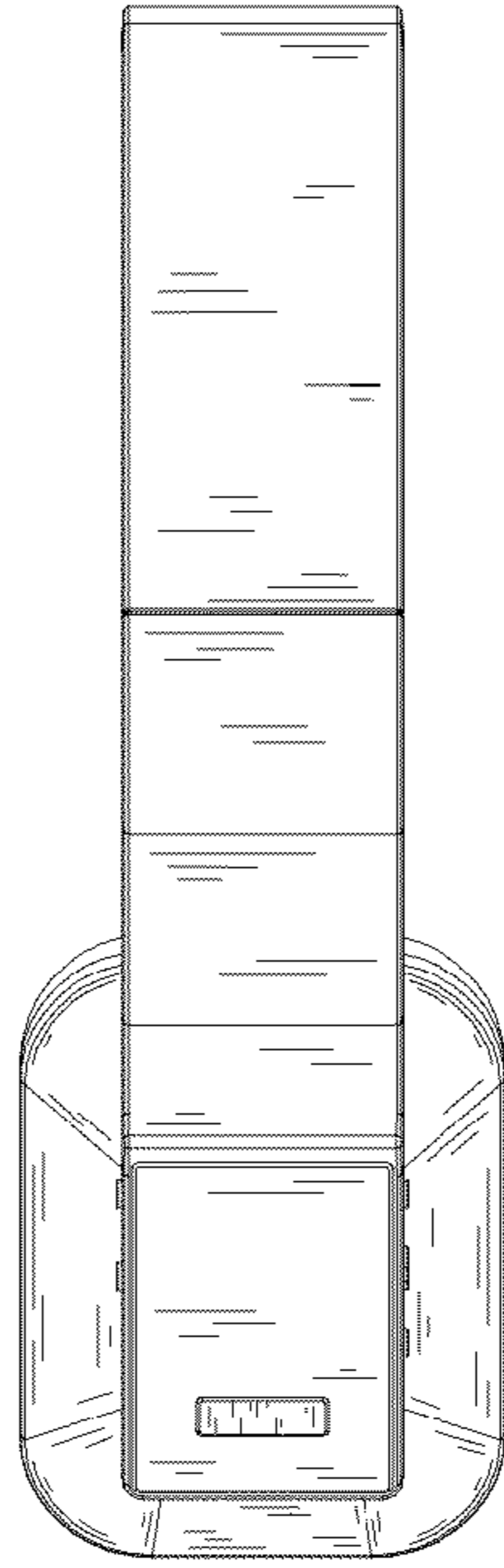


FIG. 3

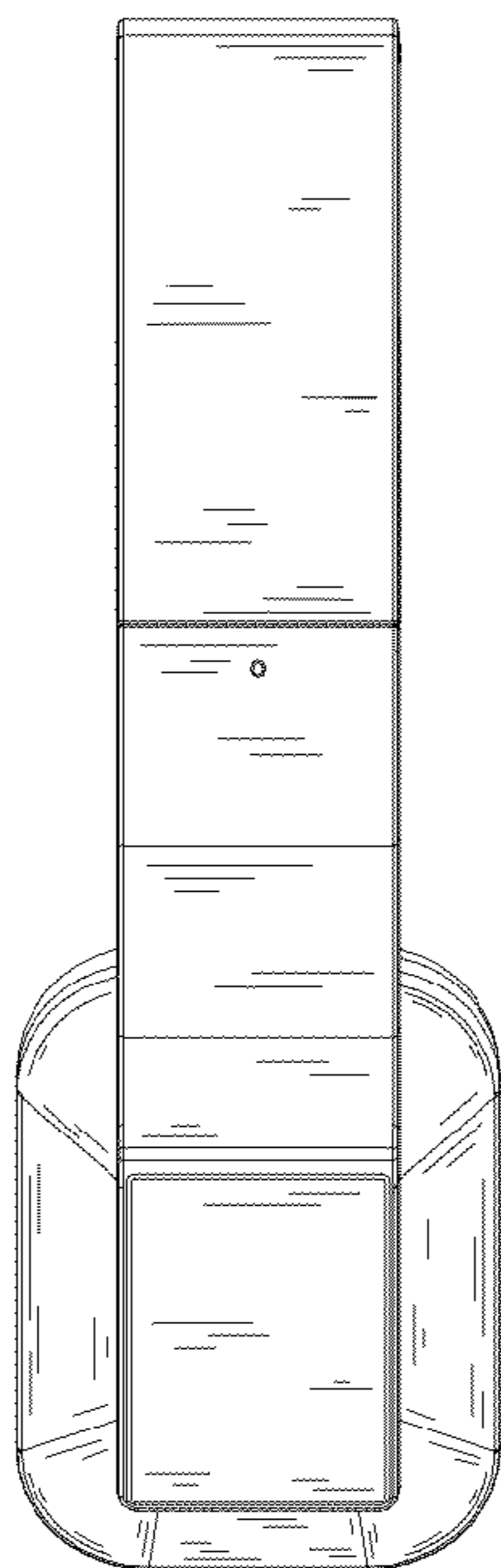


FIG. 4

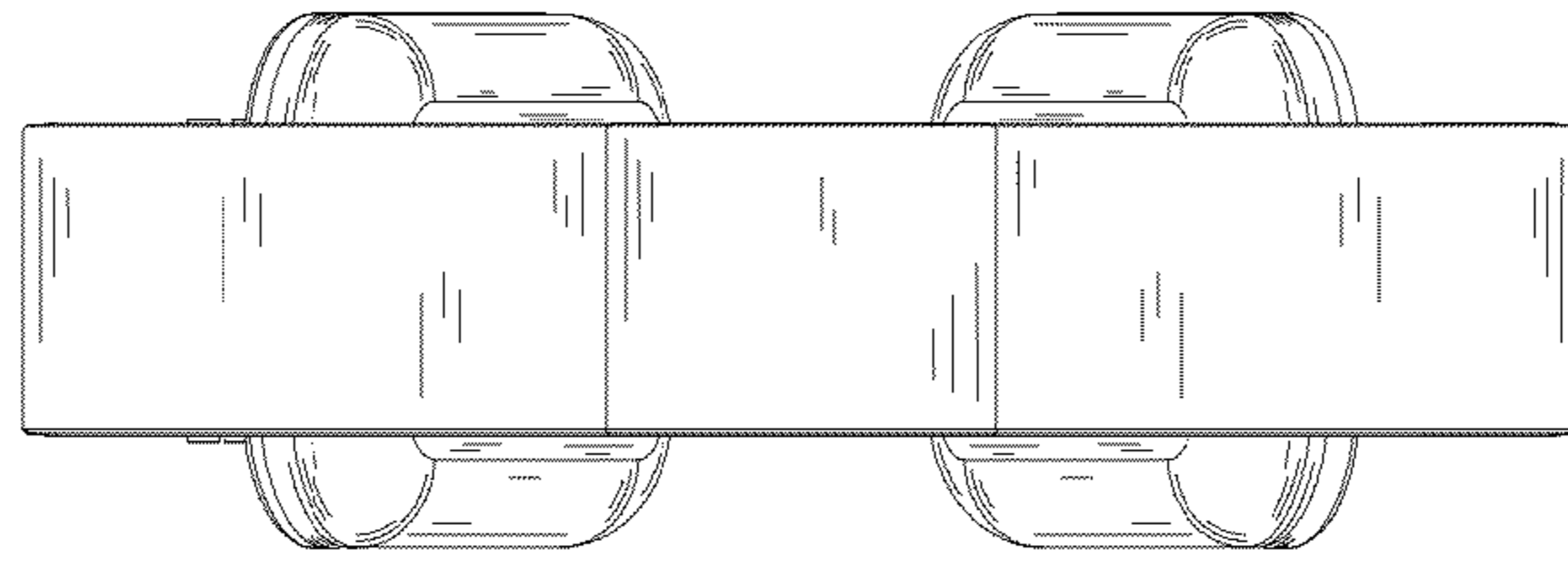


FIG. 5

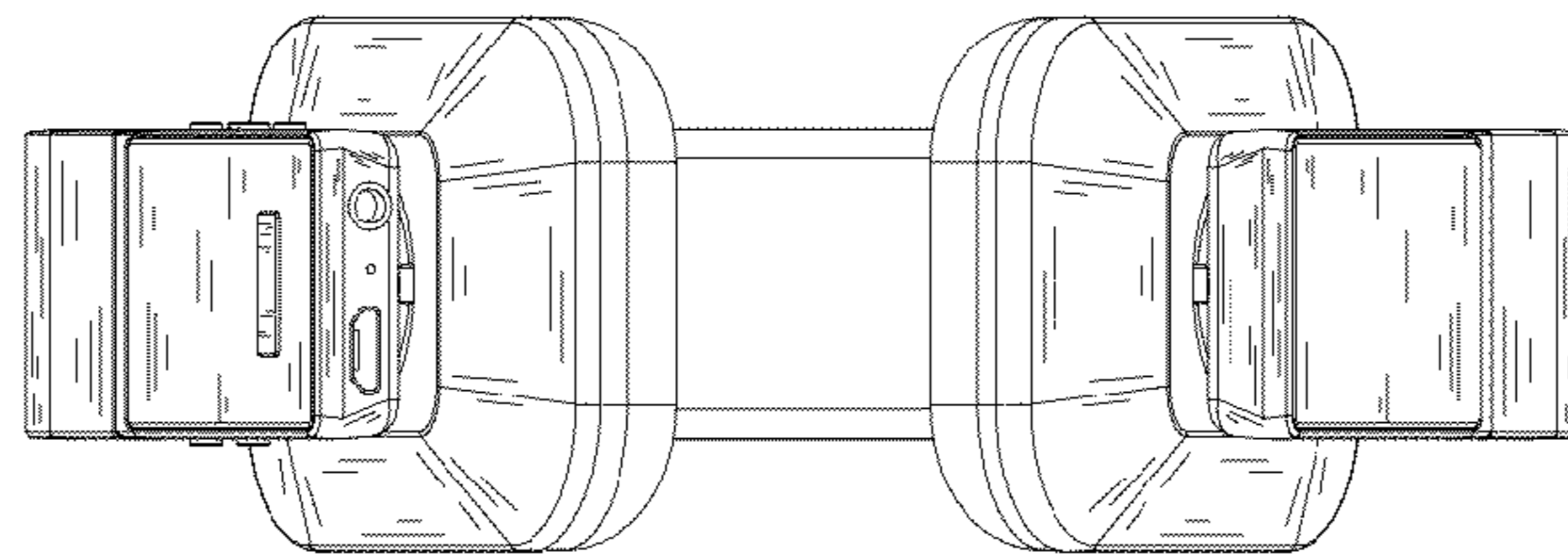


FIG. 6



FIG. 7

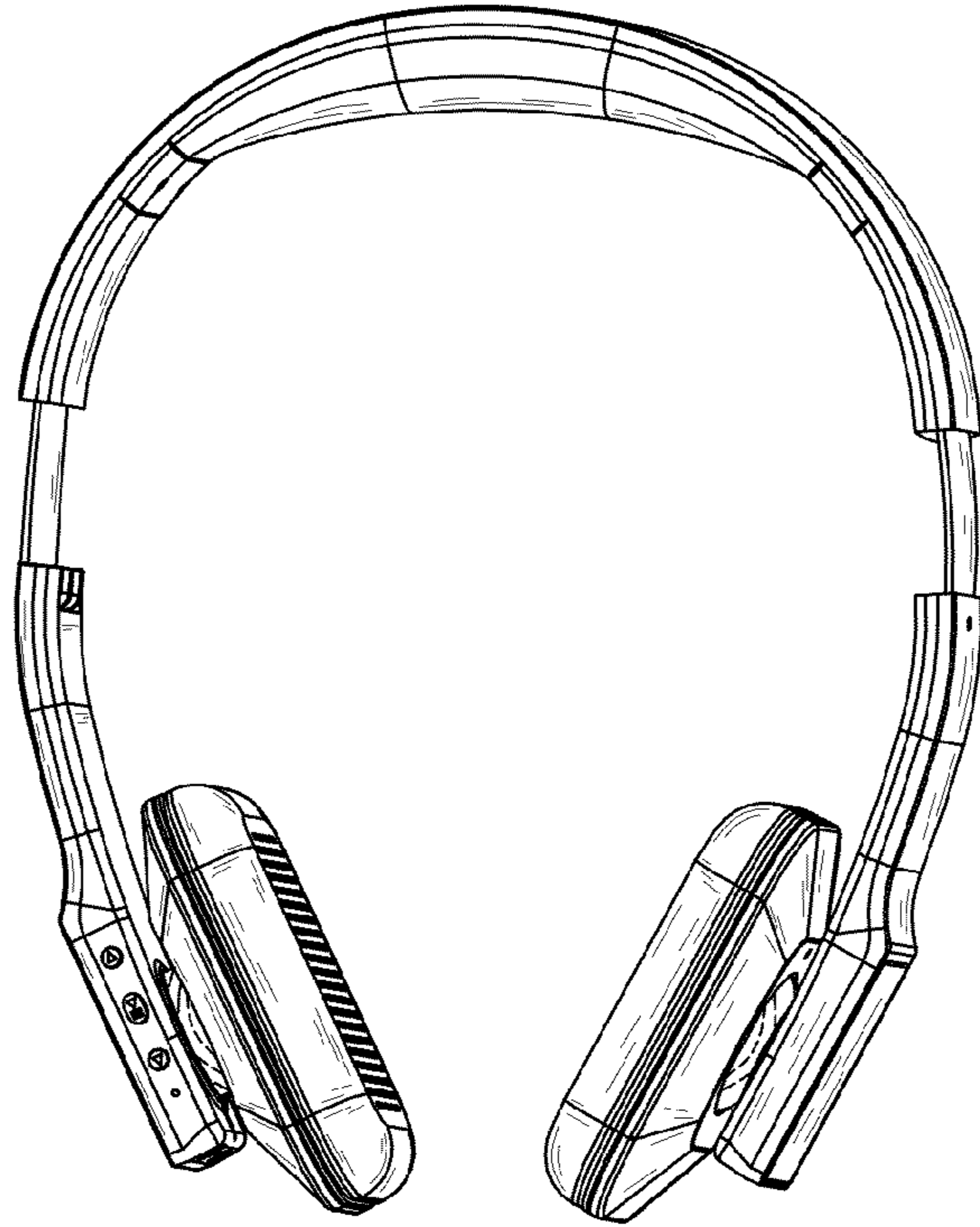


FIG. 8

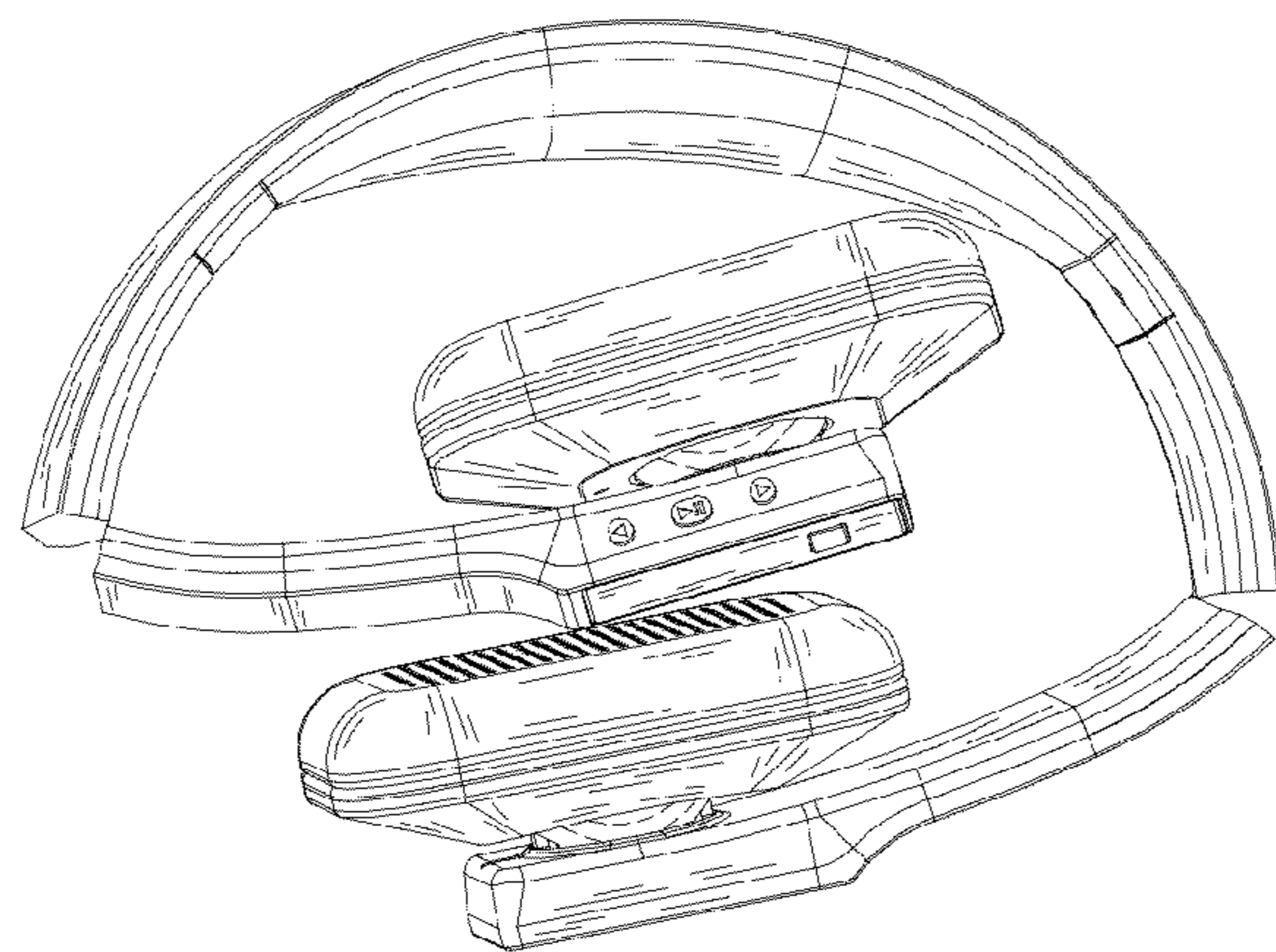


FIG. 9