



US00D697489S

(12) **United States Design Patent**  
**Smith et al.**

(10) **Patent No.:** **US D697,489 S**  
(45) **Date of Patent:** **\*\* Jan. 14, 2014**

- (54) **ELECTRICAL CONNECTOR**
- (71) Applicants: **Jason Smith**, Sartell, MN (US); **Emad Soubh**, Camas, WA (US); **John Grant**, Sherborn, MA (US)
- (72) Inventors: **Jason Smith**, Sartell, MN (US); **Emad Soubh**, Camas, WA (US); **John Grant**, Sherborn, MA (US)
- (73) Assignee: **AirBorn, Inc.**, Georgetown, TX (US)
- (\*\*) Term: **14 Years**
- (21) Appl. No.: **29/437,272**
- (22) Filed: **Nov. 14, 2012**
- (51) **LOC (10) Cl.** ..... **13-03**
- (52) **U.S. Cl.**  
USPC ..... **D13/147**
- (58) **Field of Classification Search**  
USPC ..... D13/146, 147, 154, 184, 199;  
439/78-79, 82, 180, 246, 252, 278,  
439/350-351, 353, 357, 374, 378-379, 381,  
439/527, 529, 533, 660, 676-677, 680, 686,  
439/692, 892, 894  
See application file for complete search history.

|           |     |         |                |       |         |
|-----------|-----|---------|----------------|-------|---------|
| 5,860,815 | A * | 1/1999  | Feldman et al. | ..... | 439/79  |
| D409,573  | S * | 5/1999  | Shimojo et al. | ..... | D13/147 |
| D409,575  | S * | 5/1999  | Okamoto        | ..... | D13/147 |
| D414,162  | S * | 9/1999  | Huang          | ..... | D13/147 |
| D427,565  | S * | 7/2000  | Lok            | ..... | D13/147 |
| D432,501  | S * | 10/2000 | Ohtani         | ..... | D13/147 |
| 6,155,887 | A   | 12/2000 | Cuff et al.    |       |         |
| 6,220,869 | B1  | 4/2001  | Grant et al.   |       |         |
| 6,318,632 | B1  | 11/2001 | Grant et al.   |       |         |
| D451,476  | S * | 12/2001 | Wang et al.    | ..... | D13/147 |
| D458,901  | S * | 6/2002  | Larsen et al.  | ..... | D13/147 |
| D459,310  | S * | 6/2002  | Tanaka         | ..... | D13/147 |
| 6,877,992 | B2  | 4/2005  | Grant et al.   |       |         |
| 7,021,942 | B2  | 4/2006  | Grant et al.   |       |         |
| 7,187,076 | B2  | 3/2007  | Cuff et al.    |       |         |
| D543,508  | S   | 5/2007  | Dever          |       |         |
| D549,659  | S   | 8/2007  | Dever          |       |         |
| D560,613  | S   | 1/2008  | McEvoy et al.  |       |         |
| D560,614  | S   | 1/2008  | McEvoy et al.  |       |         |
| D561,103  | S   | 2/2008  | Grant          |       |         |
| D561,107  | S   | 2/2008  | Cuff et al.    |       |         |

(Continued)

*Primary Examiner* — Daniel Bui  
(74) *Attorney, Agent, or Firm* — Locke Lord LLP

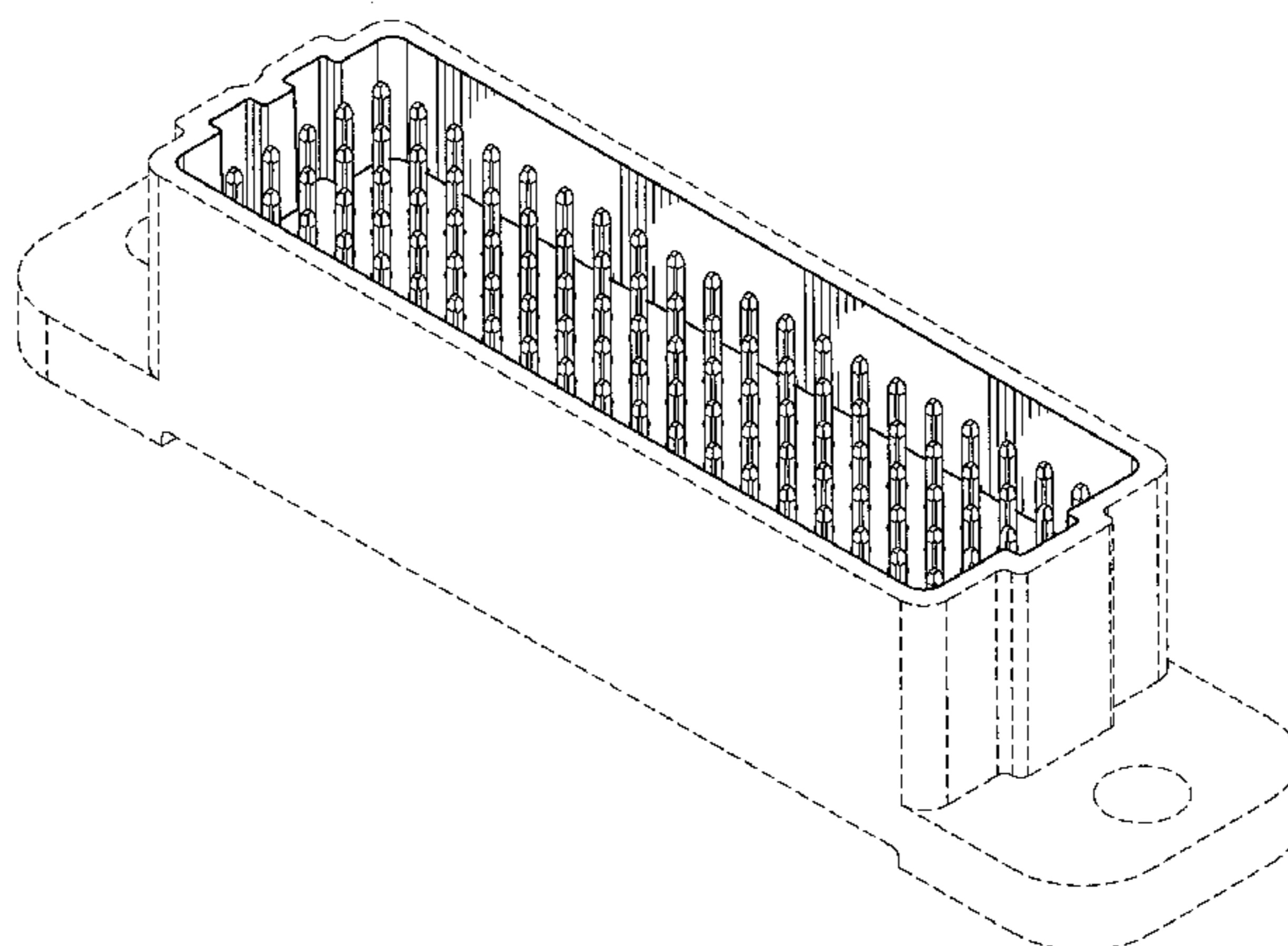
(57) **CLAIM**  
The ornamental design for an electrical connector, as shown and described.

**DESCRIPTION**

FIG. 1 is a top perspective view of an electrical connector showing our new design;  
FIG. 2 is a front elevation view thereof;  
FIG. 3 is a back elevation view thereof;  
FIG. 4 is a left side elevation view thereof;  
FIG. 5 is a right side elevation view thereof;  
FIG. 6 is a top elevation view thereof;  
FIG. 7 is a bottom elevation view thereof; and,  
FIG. 8 is a bottom perspective view thereof.  
The broken line in the figure drawing views is included for the purpose of illustrating unclaimed environment only and forms no part of the claimed design.

**1 Claim, 5 Drawing Sheets**

- (56) **References Cited**  
U.S. PATENT DOCUMENTS
- 3,002,175 A \* 9/1961 Rosenfeld et al. .... 439/564
- D194,501 S \* 2/1963 Maurer ..... D13/147
- 3,501,736 A \* 3/1970 Norris ..... 439/353
- D269,673 S \* 7/1983 Johansson et al. .... D13/147
- D272,145 S \* 1/1984 Casciotti et al. .... D13/147
- D274,719 S \* 7/1984 Casciotti et al. .... D13/147
- D328,595 S \* 8/1992 Lou ..... D14/438
- D330,704 S \* 11/1992 Wagner ..... D14/242
- D335,486 S \* 5/1993 Fatalo ..... D13/147
- 5,273,453 A \* 12/1993 Manassero et al. .... 439/352
- 5,277,596 A \* 1/1994 Dixon ..... 439/79
- D372,460 S \* 8/1996 Aramaki ..... D13/147



(56)

**References Cited**

U.S. PATENT DOCUMENTS

D561,108 S 2/2008 Cuff et al.  
D561,109 S 2/2008 Howerton et al.  
D561,110 S 2/2008 Howerton et al.  
D561,698 S 2/2008 Cuff et al.  
D562,248 S 2/2008 Howerton et al.  
D562,249 S 2/2008 Howerton et al.  
D562,775 S 2/2008 Cuff et al.  
D563,877 S 3/2008 Grant

D563,878 S 3/2008 Grant  
D563,879 S 3/2008 Grant  
D563,880 S 3/2008 Grant  
D563,881 S 3/2008 Howerton et al.  
D563,882 S 3/2008 Howerton et al.  
D563,883 S 3/2008 Dever  
D563,884 S 3/2008 Dever  
D563,885 S 3/2008 Dever  
D563,886 S 3/2008 Dever  
D563,887 S 3/2008 Dever

\* cited by examiner

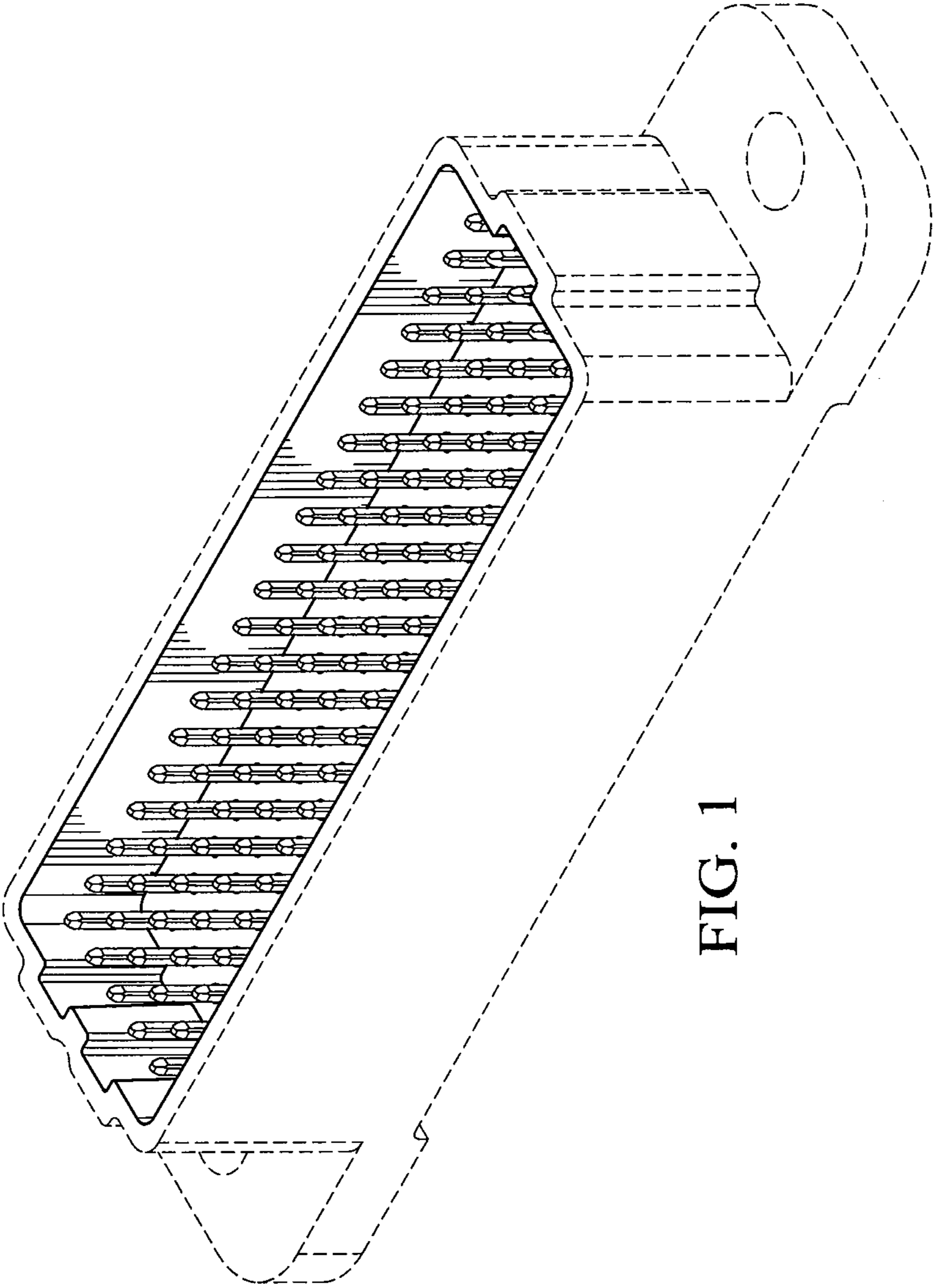


FIG. 1

FIG. 2

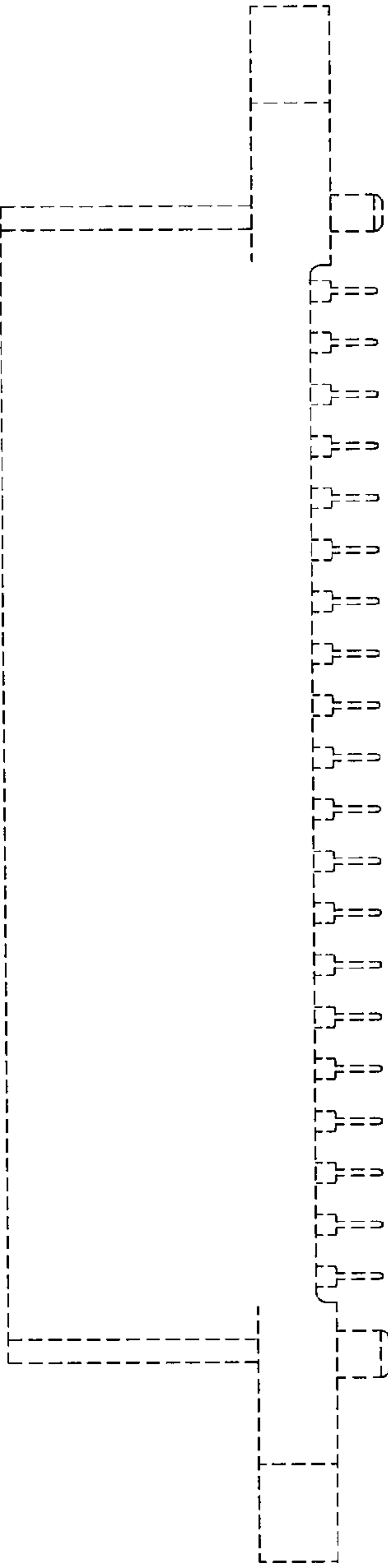


FIG. 3

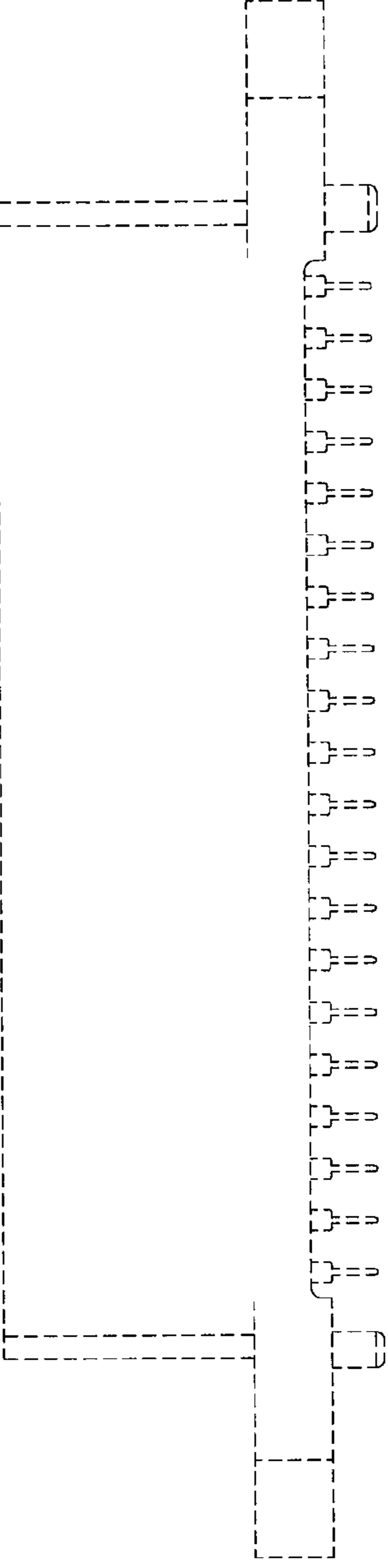


FIG. 5

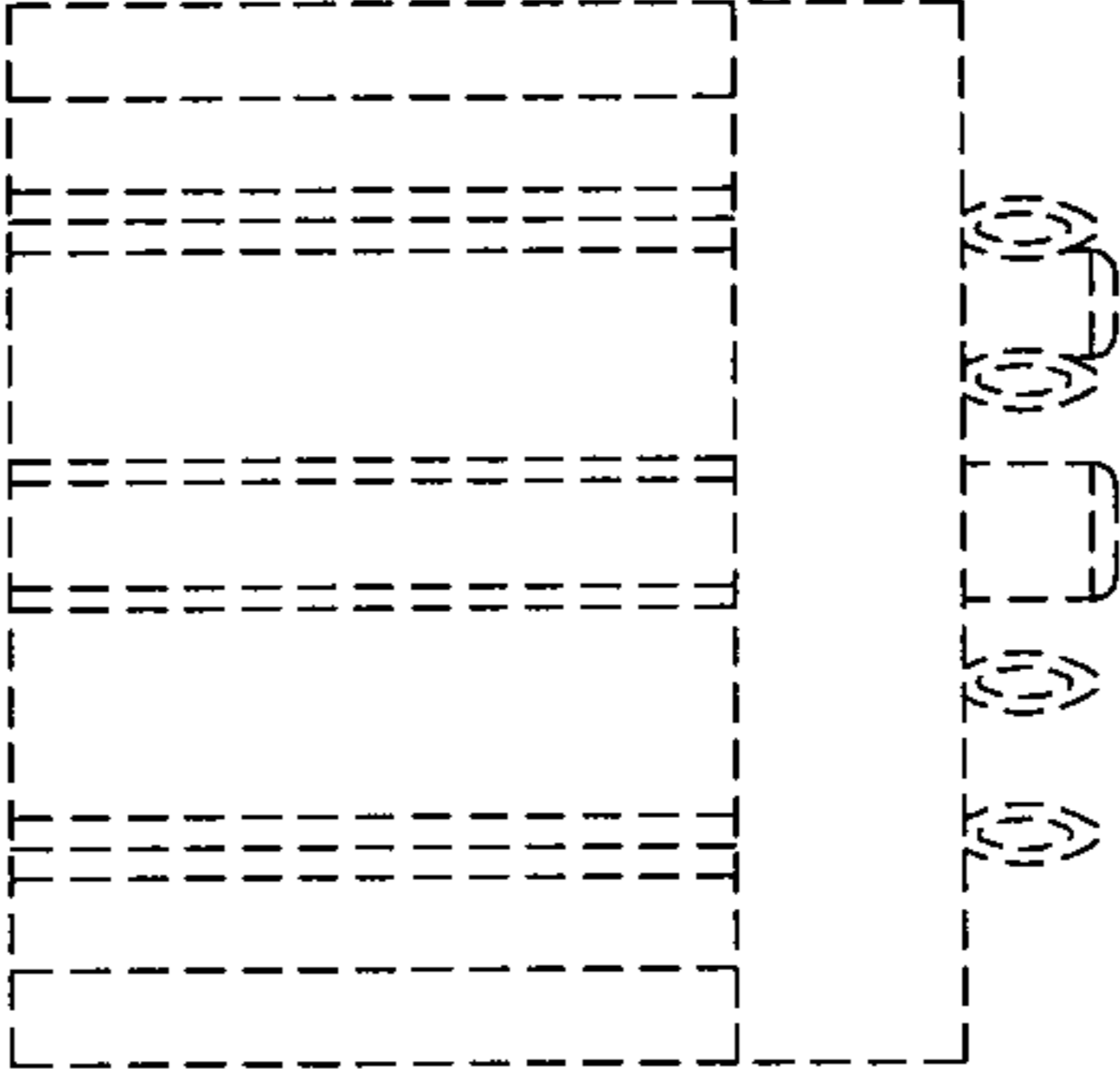


FIG. 4

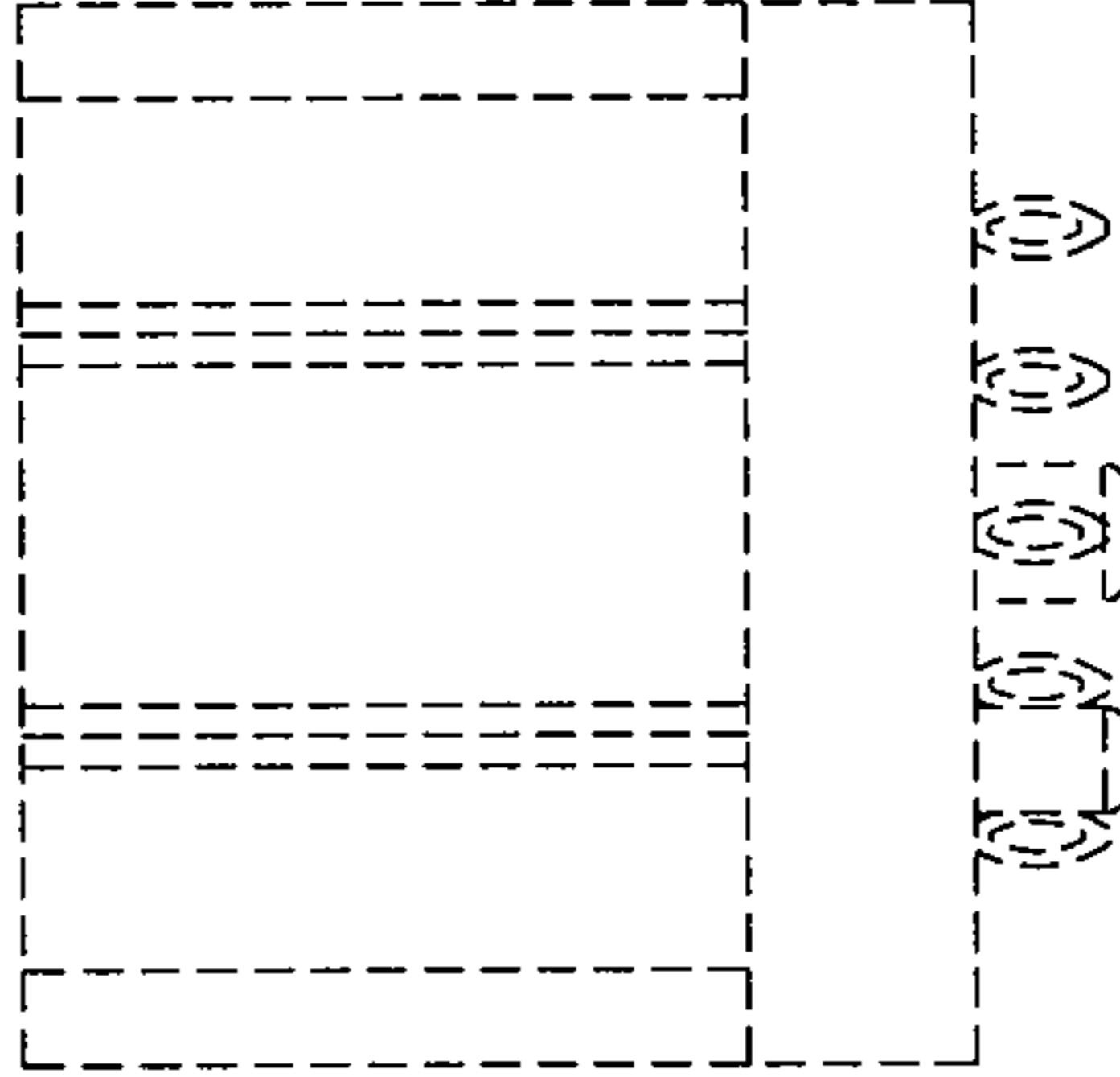


FIG. 6

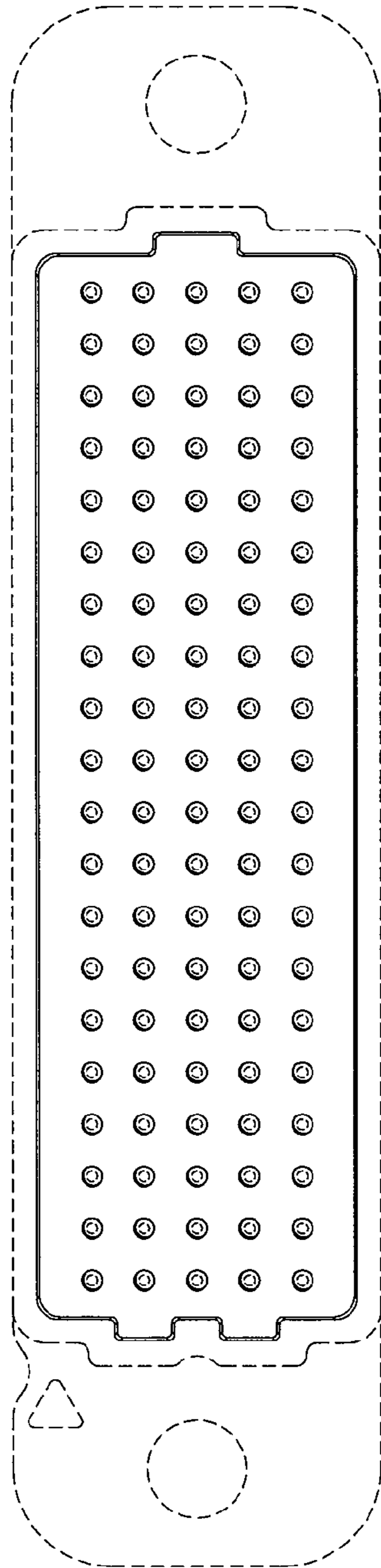
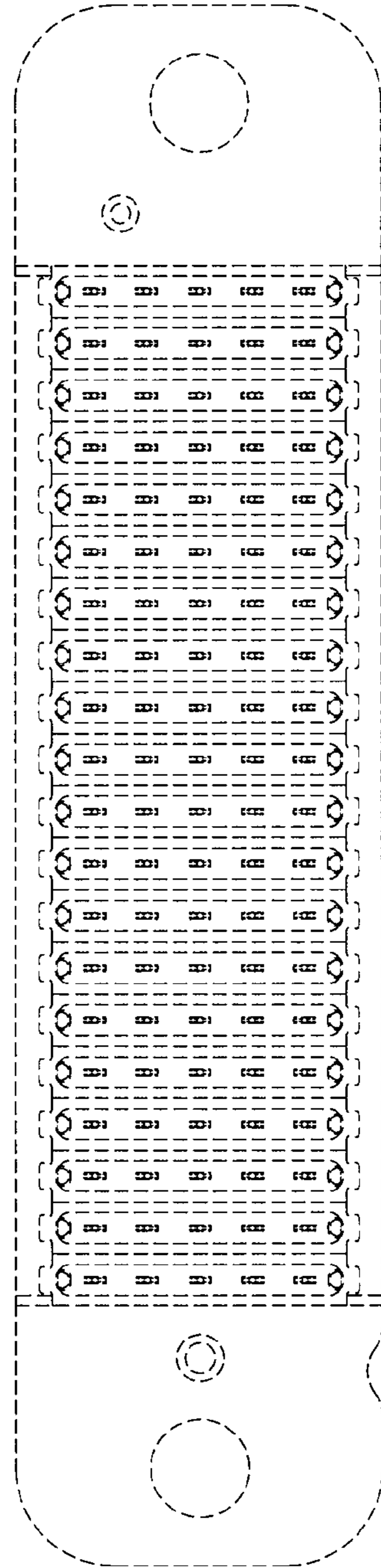


FIG. 7



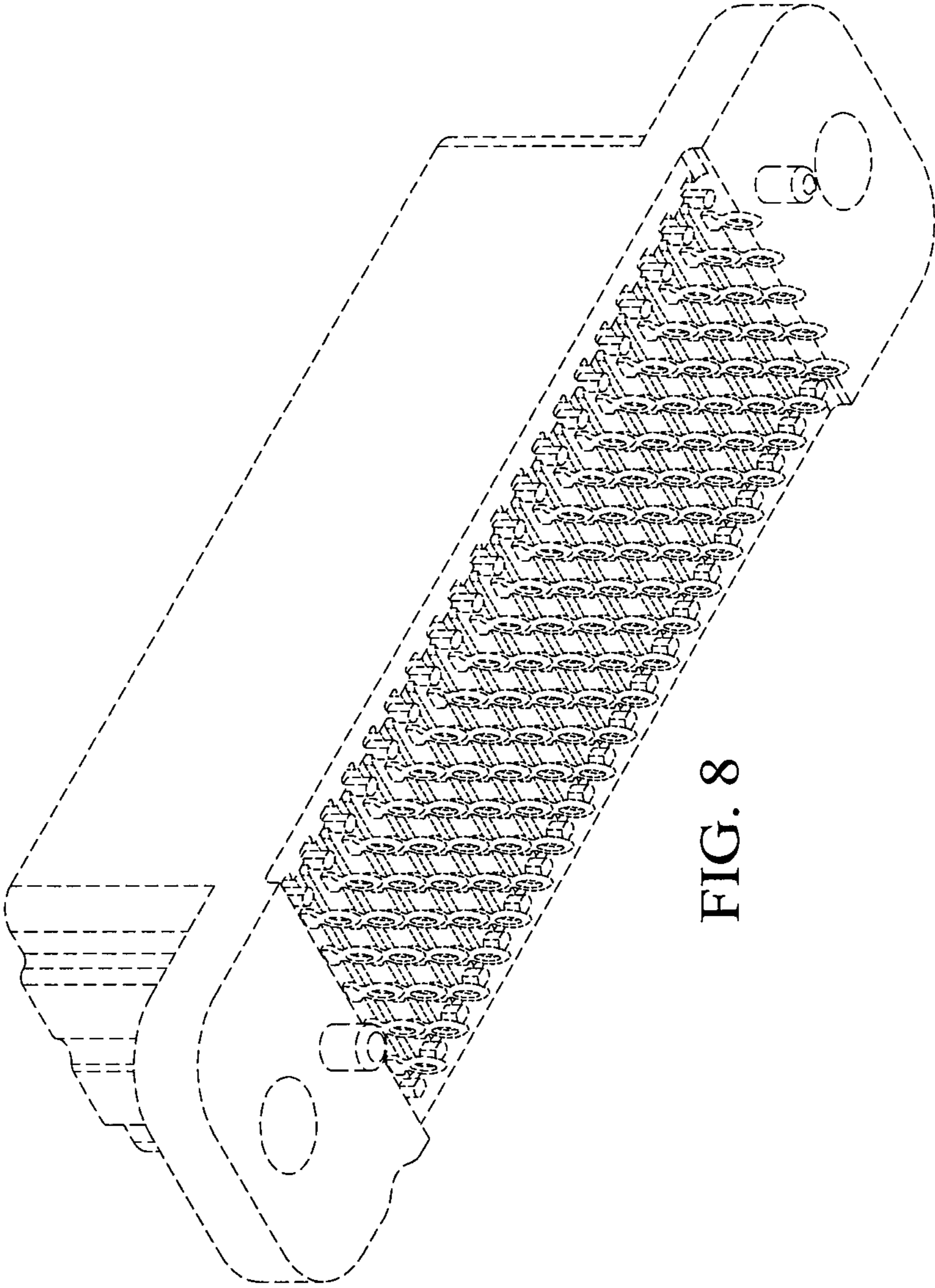


FIG. 8