

US00D697488S

(12) **United States Design Patent**
Smith et al.

(10) **Patent No.:** **US D697,488 S**
(45) **Date of Patent:** **** Jan. 14, 2014**

- (54) **ELECTRICAL CONNECTOR**
- (71) Applicants: **Jason Smith**, Sartell, MN (US); **Emad Soubh**, Camas, WA (US); **John Grant**, Sherborn, MA (US)
- (72) Inventors: **Jason Smith**, Sartell, MN (US); **Emad Soubh**, Camas, WA (US); **John Grant**, Sherborn, MA (US)
- (73) Assignee: **AirBorn, Inc.**, Georgetown, TX (US)
- (**) Term: **14 Years**
- (21) Appl. No.: **29/437,269**
- (22) Filed: **Nov. 14, 2012**
- (51) **LOC (10) Cl.** **13-03**
- (52) **U.S. Cl.**
USPC **D13/147**
- (58) **Field of Classification Search**
USPC D13/146, 147, 154, 184, 199;
439/78-79, 82, 180, 246, 252, 278,
439/350-351, 353, 357, 374, 378-379, 381,
439/527, 529, 533, 660, 676-677, 680, 686,
439/692, 892, 894
See application file for complete search history.

5,860,815	A *	1/1999	Feldman et al.	439/79
D409,573	S *	5/1999	Shimojo et al.	D13/147
D409,575	S *	5/1999	Okamoto	D13/147
D414,162	S *	9/1999	Huang	D13/147
D427,565	S *	7/2000	Lok	D13/147
D432,501	S *	10/2000	Ohtani	D13/147
6,155,887	A	12/2000	Cuff et al.		
6,220,869	B1	4/2001	Grant et al.		
6,318,632	B1	11/2001	Grant et al.		
D451,476	S *	12/2001	Wang et al.	D13/147
D458,901	S *	6/2002	Larsen et al.	D13/147
D459,310	S *	6/2002	Tanaka	D13/147
6,877,992	B2	4/2005	Grant et al.		
7,021,942	B2	4/2006	Grant et al.		
7,187,076	B2	3/2007	Cuff et al.		
D543,508	S	5/2007	Dever		
D549,659	S	8/2007	Dever		
D560,613	S	1/2008	McEvoy et al.		
D560,614	S	1/2008	McEvoy et al.		
D561,103	S	2/2008	Grant		
D561,107	S	2/2008	Cuff et al.		

(Continued)

Primary Examiner — Daniel Bui
(74) *Attorney, Agent, or Firm* — Locke Lord LLP

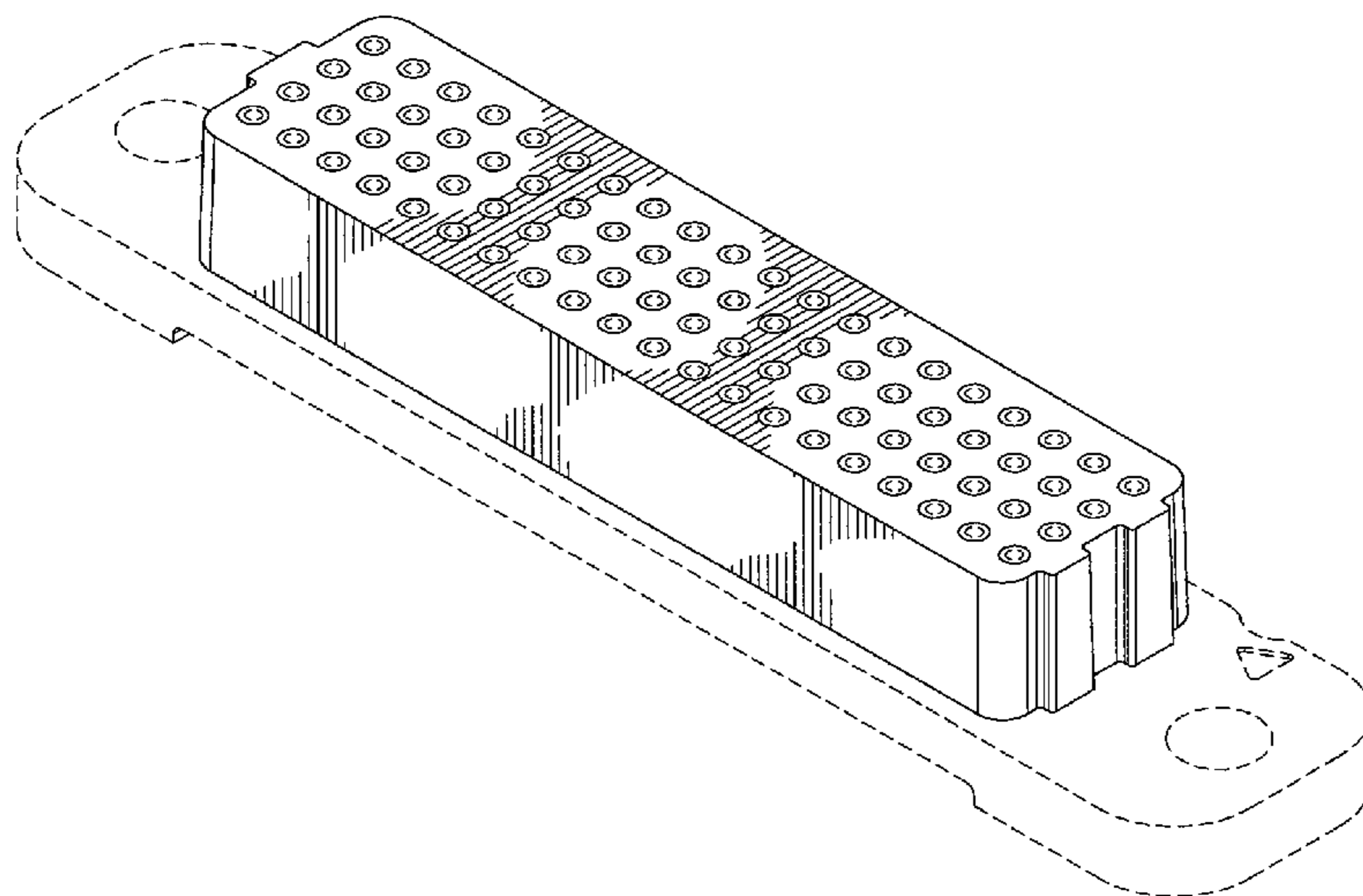
(57) **CLAIM**
The ornamental design for an electrical connector, as shown and described.

DESCRIPTION

FIG. 1 is a top perspective view of an electrical connector showing our new design;
FIG. 2 is a front elevation view thereof;
FIG. 3 is a back elevation view thereof;
FIG. 4 is a left side elevation view thereof;
FIG. 5 is a right side elevation view thereof;
FIG. 6 is a top elevation view thereof;
FIG. 7 is a bottom elevation view thereof; and,
FIG. 8 is a bottom perspective view thereof.
The broken line in the figure drawing views is included for the purpose of illustrating unclaimed environment only and forms no part of the claimed design.

1 Claim, 5 Drawing Sheets

- (56) **References Cited**
U.S. PATENT DOCUMENTS
- 3,002,175 A * 9/1961 Rosenfeld et al. 439/564
- D194,501 S * 2/1963 Maurer D13/147
- 3,501,736 A * 3/1970 Norris 439/353
- D269,673 S * 7/1983 Johansson et al. D13/147
- D272,145 S * 1/1984 Casciotti et al. D13/147
- D274,719 S * 7/1984 Casciotti et al. D13/147
- D328,595 S * 8/1992 Lou D14/438
- D330,704 S * 11/1992 Wagner D14/242
- D335,486 S * 5/1993 Fatalo D13/147
- 5,273,453 A * 12/1993 Manassero et al. 439/352
- 5,277,596 A * 1/1994 Dixon 439/79
- D372,460 S * 8/1996 Aramaki D13/147



(56)

References Cited

U.S. PATENT DOCUMENTS

D561,108 S 2/2008 Cuff et al.
D561,109 S 2/2008 Howerton et al.
D561,110 S 2/2008 Howerton et al.
D561,698 S 2/2008 Cuff et al.
D562,248 S 2/2008 Howerton et al.
D562,249 S 2/2008 Howerton et al.
D562,775 S 2/2008 Cuff et al.
D563,877 S 3/2008 Grant

D563,878 S 3/2008 Grant
D563,879 S 3/2008 Grant
D563,880 S 3/2008 Grant
D563,881 S 3/2008 Howertyon et al.
D563,882 S 3/2008 Howerton et al.
D563,883 S 3/2008 Dever
D563,884 S 3/2008 Dever
D563,885 S 3/2008 Dever
D563,886 S 3/2008 Dever
D563,887 S 3/2008 Dever

* cited by examiner

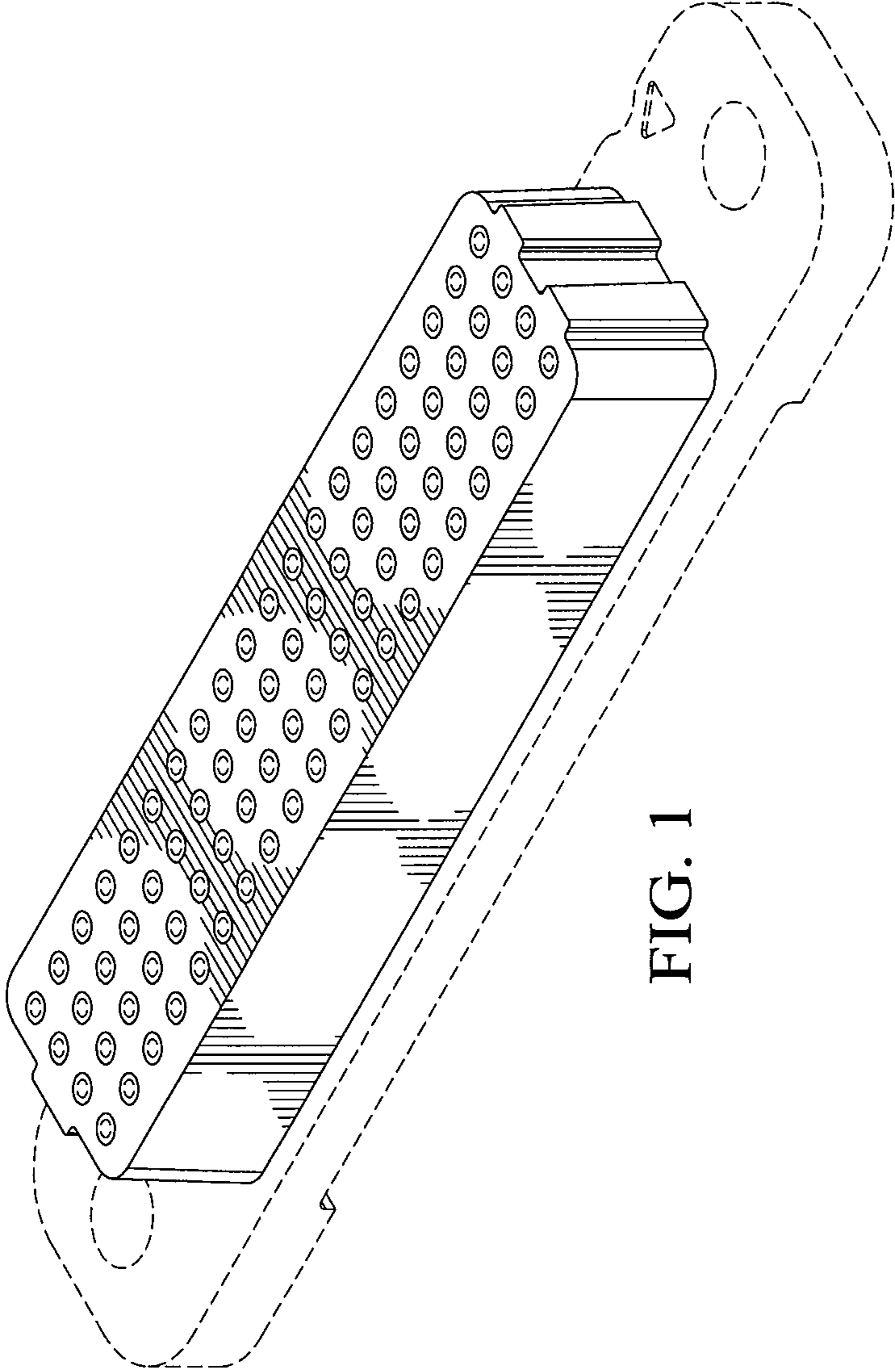


FIG. 1

FIG. 2

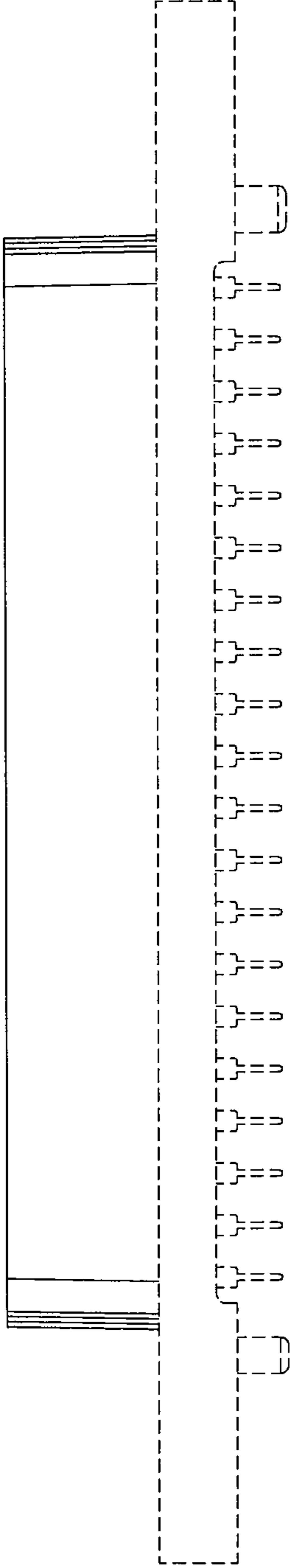


FIG. 3

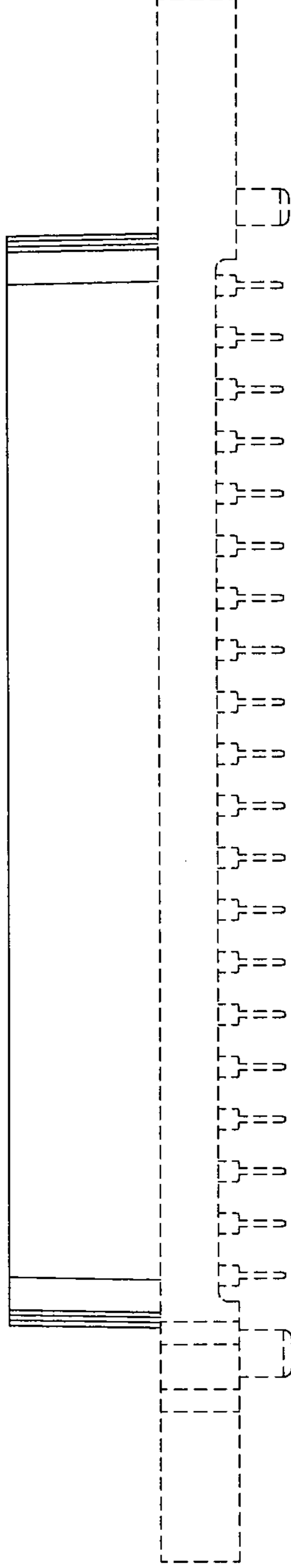


FIG. 5

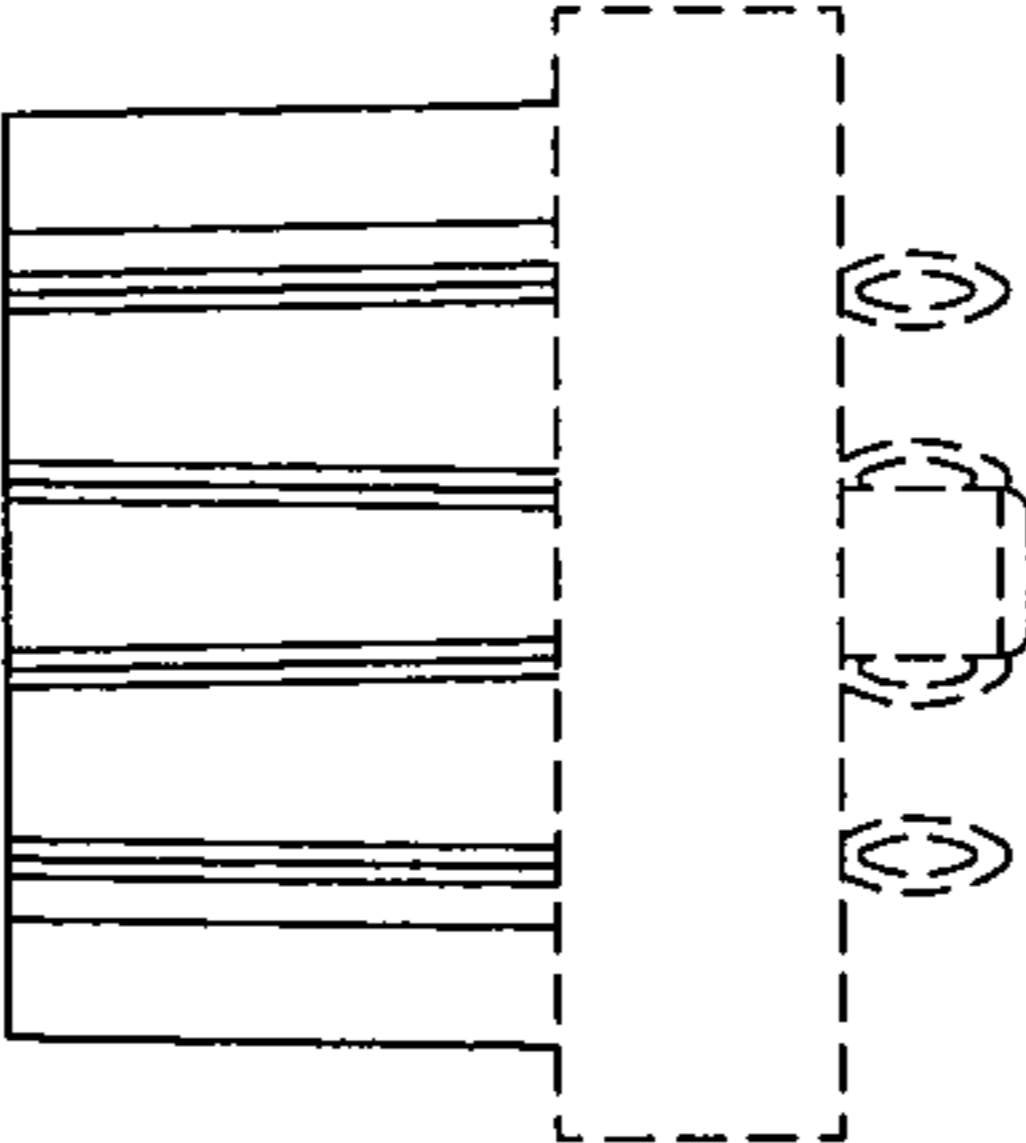


FIG. 4

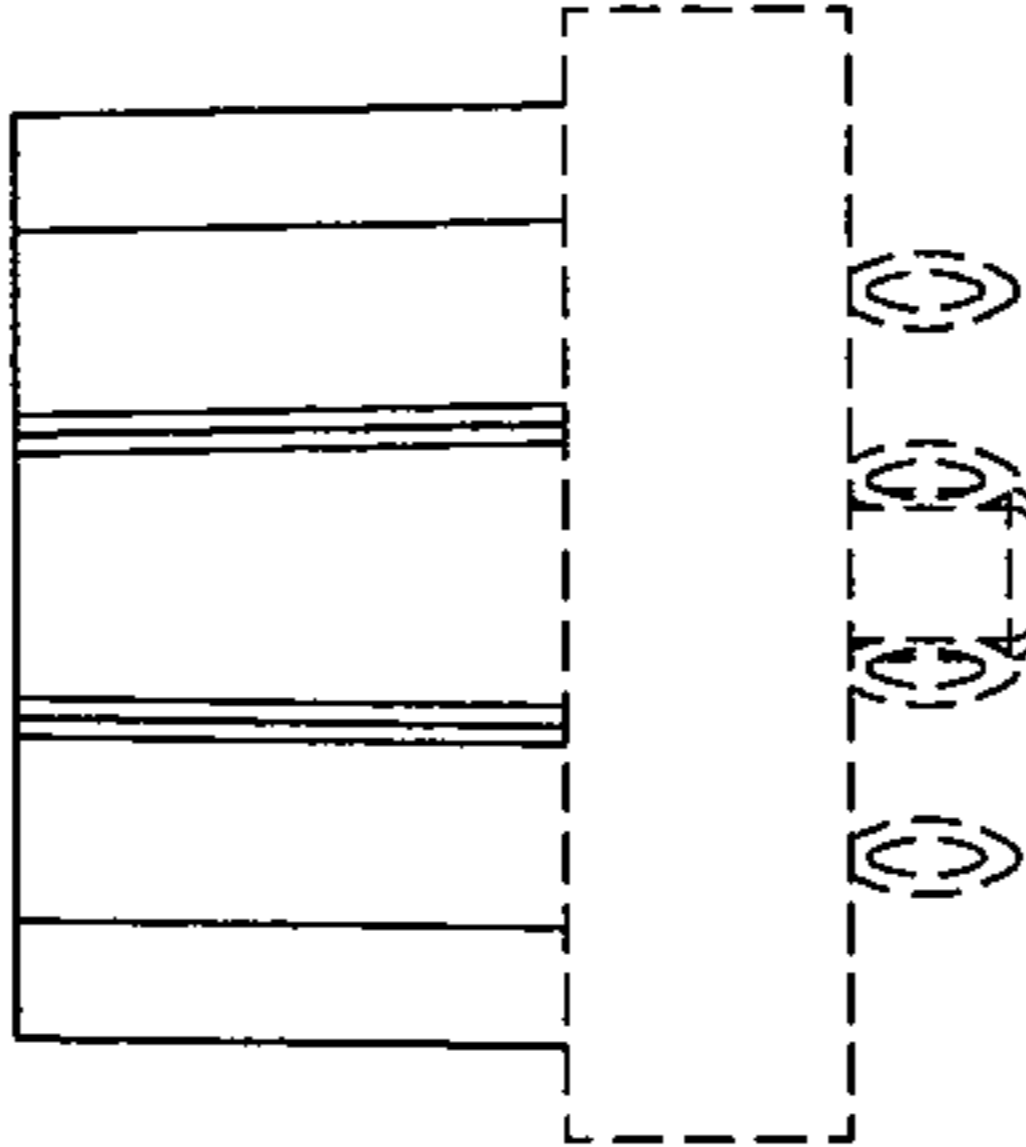


FIG. 6

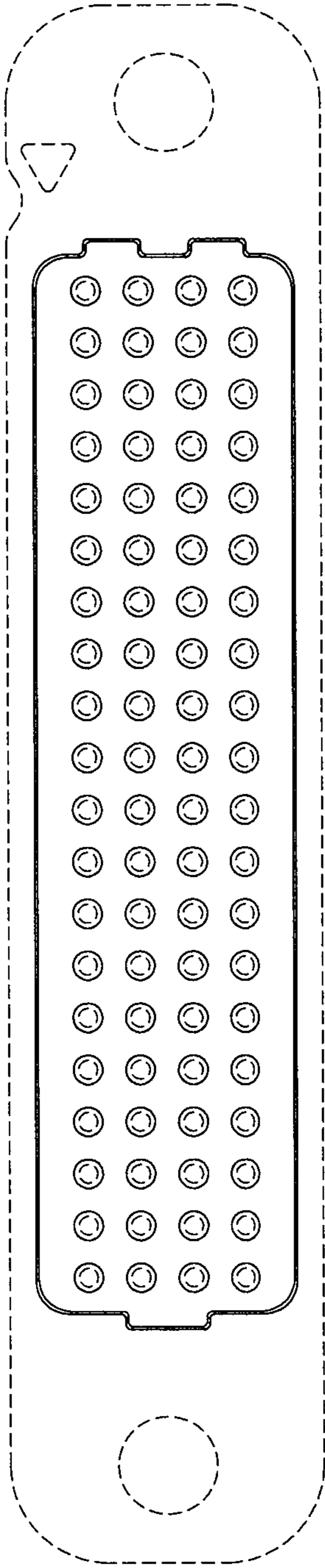
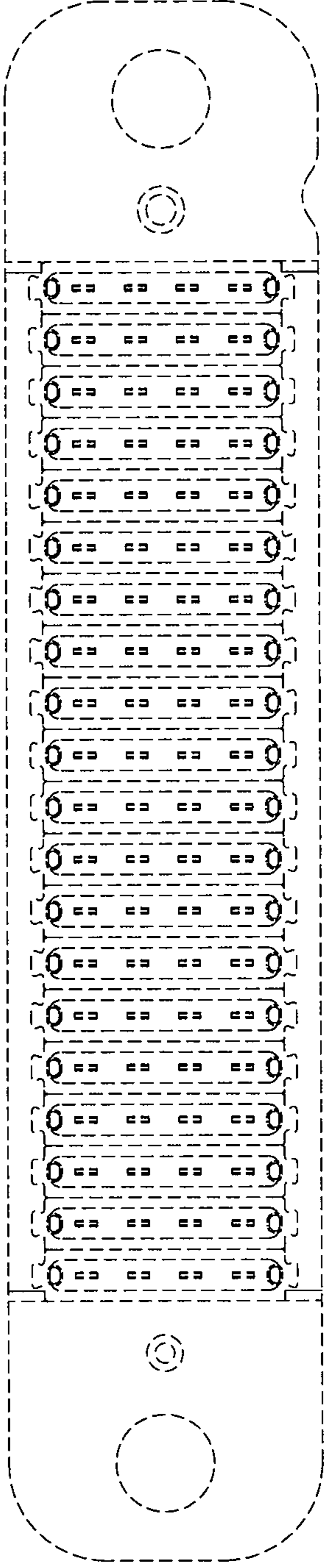


FIG. 7



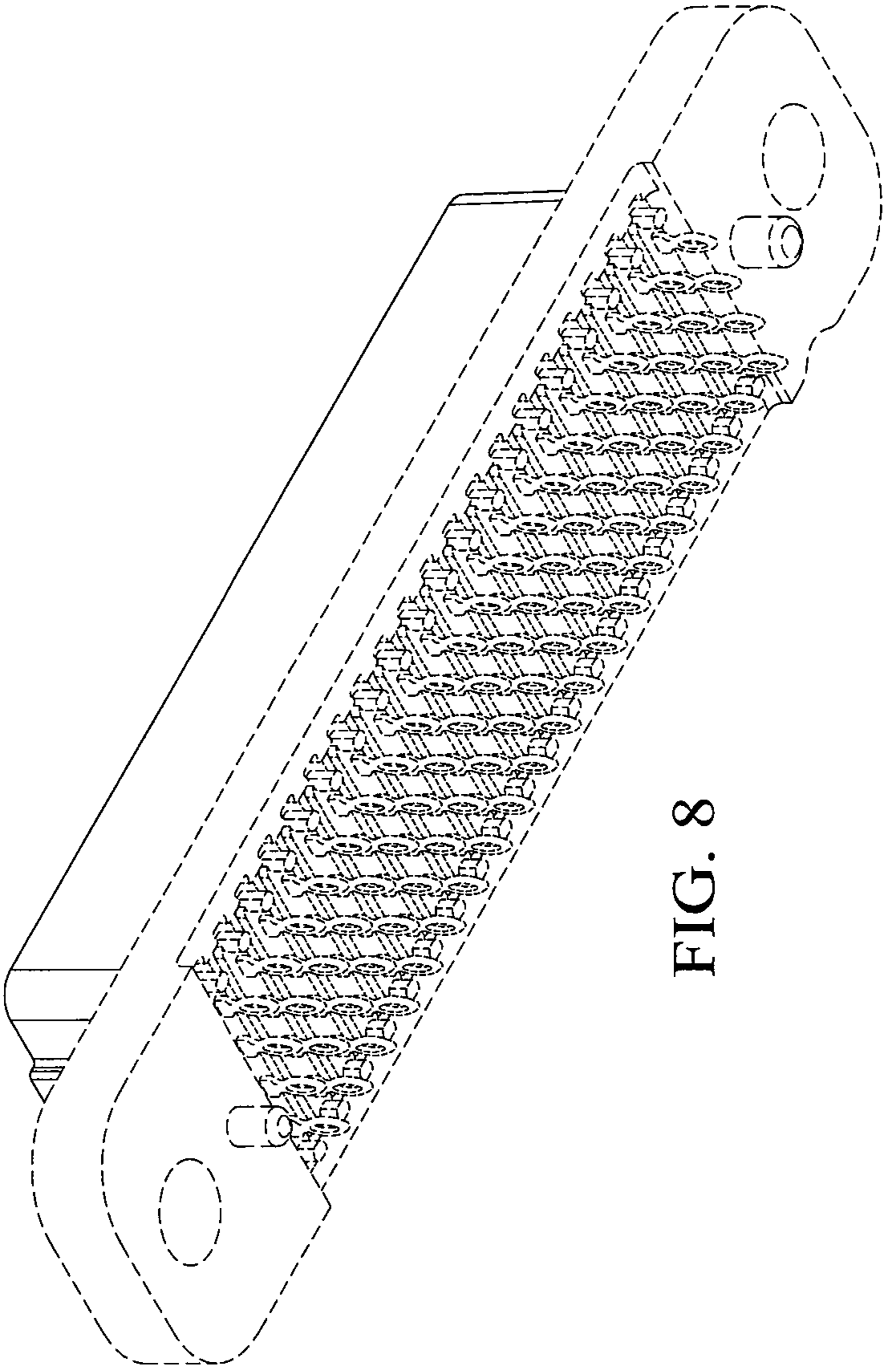


FIG. 8