



US00D697486S

(12) **United States Design Patent**
Grant et al.

(10) **Patent No.:** **US D697,486 S**
(45) **Date of Patent:** **** Jan. 14, 2014**

- (54) **BOARD-MOUNT CONNECTOR**
- (71) Applicants: **John Grant**, Sherborn, MA (US);
Emillio Billi, Novara (IT); **Jason Smith**,
Sartell, MN (US); **Emad Soubh**, Camas,
WA (US)
- (72) Inventors: **John Grant**, Sherborn, MA (US);
Emillio Billi, Novara (IT); **Jason Smith**,
Sartell, MN (US); **Emad Soubh**, Camas,
WA (US)
- (73) Assignee: **AirBorn, Inc.**, Georgetown, TX (US)
- (**) Term: **14 Years**
- (21) Appl. No.: **29/437,261**
- (22) Filed: **Nov. 14, 2012**
- (51) **LOC (10) Cl.** **13-03**
- (52) **U.S. Cl.**
USPC **D13/147**
- (58) **Field of Classification Search**
USPC D13/146, 147, 154, 184, 199;
439/78-79, 82, 180, 246, 252, 278,
439/350-351, 353, 357, 374, 378-379, 381,
439/527, 529, 533, 660, 676-677, 680, 686,
439/692, 892, 894
See application file for complete search history.

D317,903	S	*	7/1991	Shibano	D13/147
D319,625	S	*	9/1991	Nagasaka et al.	D13/146
5,399,045	A	*	3/1995	Yoneda et al.	403/321
D409,573	S	*	5/1999	Shimojo et al.	D13/147
D409,575	S	*	5/1999	Okamoto	D13/147
D427,565	S	*	7/2000	Lok	D13/147
D427,568	S	*	7/2000	Ko et al.	D13/147
6,155,887	A		12/2000	Cuff et al.		
6,220,869	B1		4/2001	Grant et al.		
6,318,632	B1		11/2001	Grant et al.		
6,702,617	B1	*	3/2004	Clement et al.	439/607.08
D494,141	S	*	8/2004	Spink, Jr.	D13/147
6,877,992	B2		4/2005	Grant et al.		
6,939,159	B1	*	9/2005	Klein et al.	439/352
7,021,942	B2		4/2006	Grant et al.		
7,187,076	B2		3/2007	Cuff et al.		
D543,508	S		5/2007	Dever		
D549,659	S		8/2007	Dever		
D560,613	S		1/2008	McEvoy et al.		
D560,614	S		1/2008	McEvoy et al.		
D561,103	S		2/2008	Grant		
D561,107	S		2/2008	Cuff et al.		

(Continued)

Primary Examiner — Daniel Bui
(74) Attorney, Agent, or Firm — Locke Lord LLP

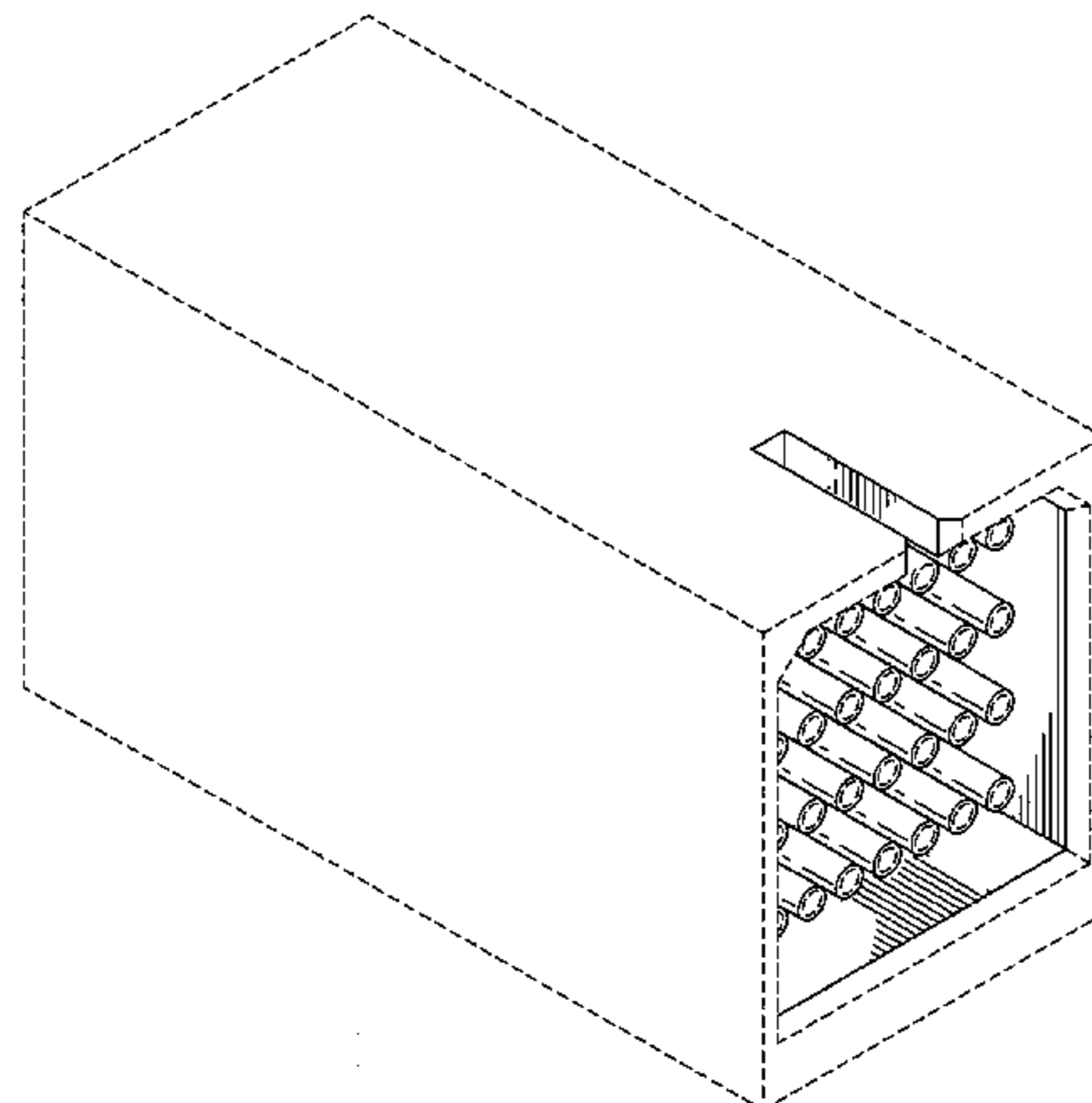
(57) **CLAIM**
The ornamental design for a board-mount connector, as shown and described.

DESCRIPTION

FIG. 1 is a top perspective view of a board-mount connector showing our new design;
FIG. 2 is a front elevation view thereof;
FIG. 3 is a back elevation view thereof;
FIG. 4 is a side elevation view thereof;
FIG. 5 is a top elevation view thereof;
FIG. 6 is a bottom elevation view thereof; and,
FIG. 7 is a bottom perspective view thereof.
The broken line in the figure drawing views is included for the purpose of illustrating unclaimed environment only and forms no part of the claimed design.

1 Claim, 4 Drawing Sheets

- (56) **References Cited**
U.S. PATENT DOCUMENTS
- 3,002,175 A * 9/1961 Bertram et al. 439/564
- D234,771 S * 4/1975 Saunders D13/147
- D235,552 S * 6/1975 Derr et al. D13/146
- D252,082 S * 6/1979 Voelkert D13/146
- 4,158,473 A * 6/1979 Shearer 439/518
- 4,179,179 A * 12/1979 Lowden 439/278
- D270,246 S * 8/1983 Freimuth D13/146
- D306,010 S * 2/1990 Komatsu D13/147
- D308,511 S * 6/1990 Makita et al. D13/146
- D309,289 S * 7/1990 Endo et al. D13/147
- D311,375 S * 10/1990 Kuzuno et al. D13/147



(56)

References Cited

U.S. PATENT DOCUMENTS

D561,108 S	2/2008	Cuff et al.	D563,880 S	3/2008	Grant	
D561,109 S	2/2008	Howerton et al.	D563,881 S	3/2008	Howerton et al.	
D561,110 S	2/2008	Howerton et al.	D563,882 S	3/2008	Howerton et al.	
D561,698 S	2/2008	Cuff et al.	D563,883 S	3/2008	Dever	
D562,248 S	2/2008	Howerton et al.	D563,884 S	3/2008	Dever	
D562,249 S	2/2008	Howerton et al.	D563,885 S	3/2008	Dever	
D562,775 S	2/2008	Cuff et al.	D563,886 S	3/2008	Dever	
D563,877 S	3/2008	Grant	D563,887 S	3/2008	Dever	
D563,878 S	3/2008	Grant	D597,492 S *	8/2009	Sakamoto	D13/147
D563,879 S	3/2008	Grant	D597,956 S *	8/2009	Sakamoto	D13/147
			D597,957 S *	8/2009	Sakamoto	D13/147
			D610,996 S *	3/2010	Sakamoto	D13/147

* cited by examiner

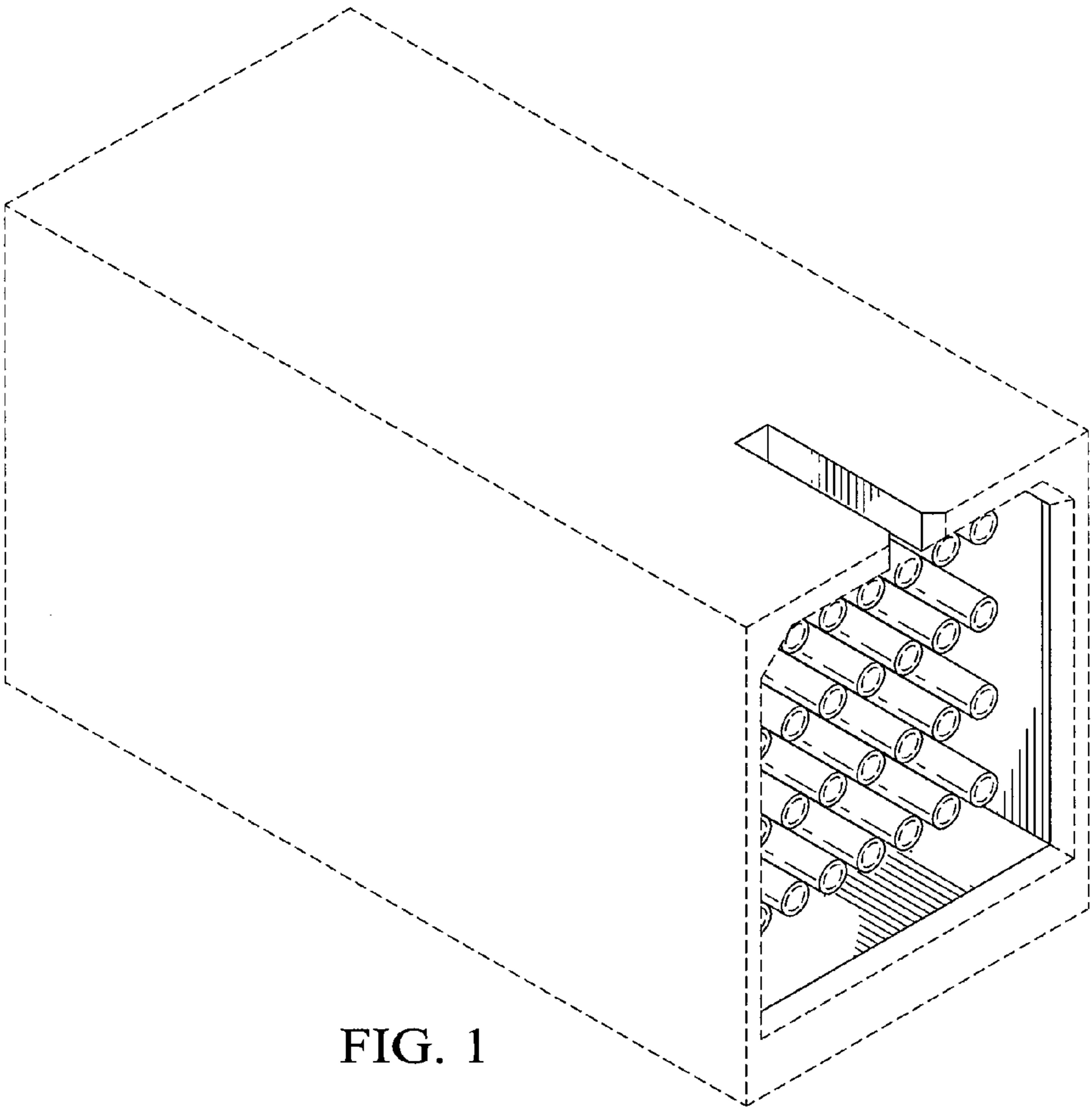


FIG. 1

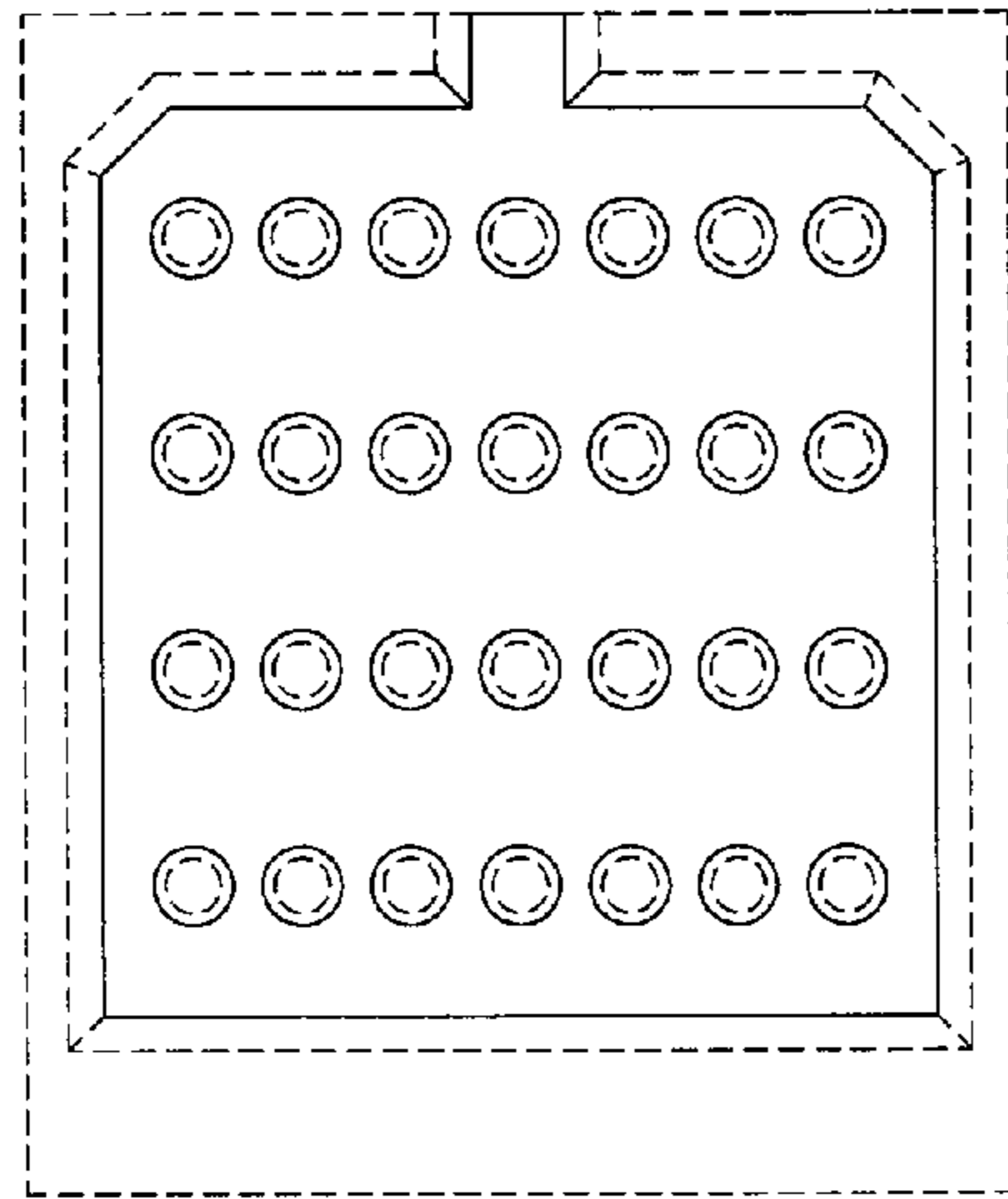


FIG. 2

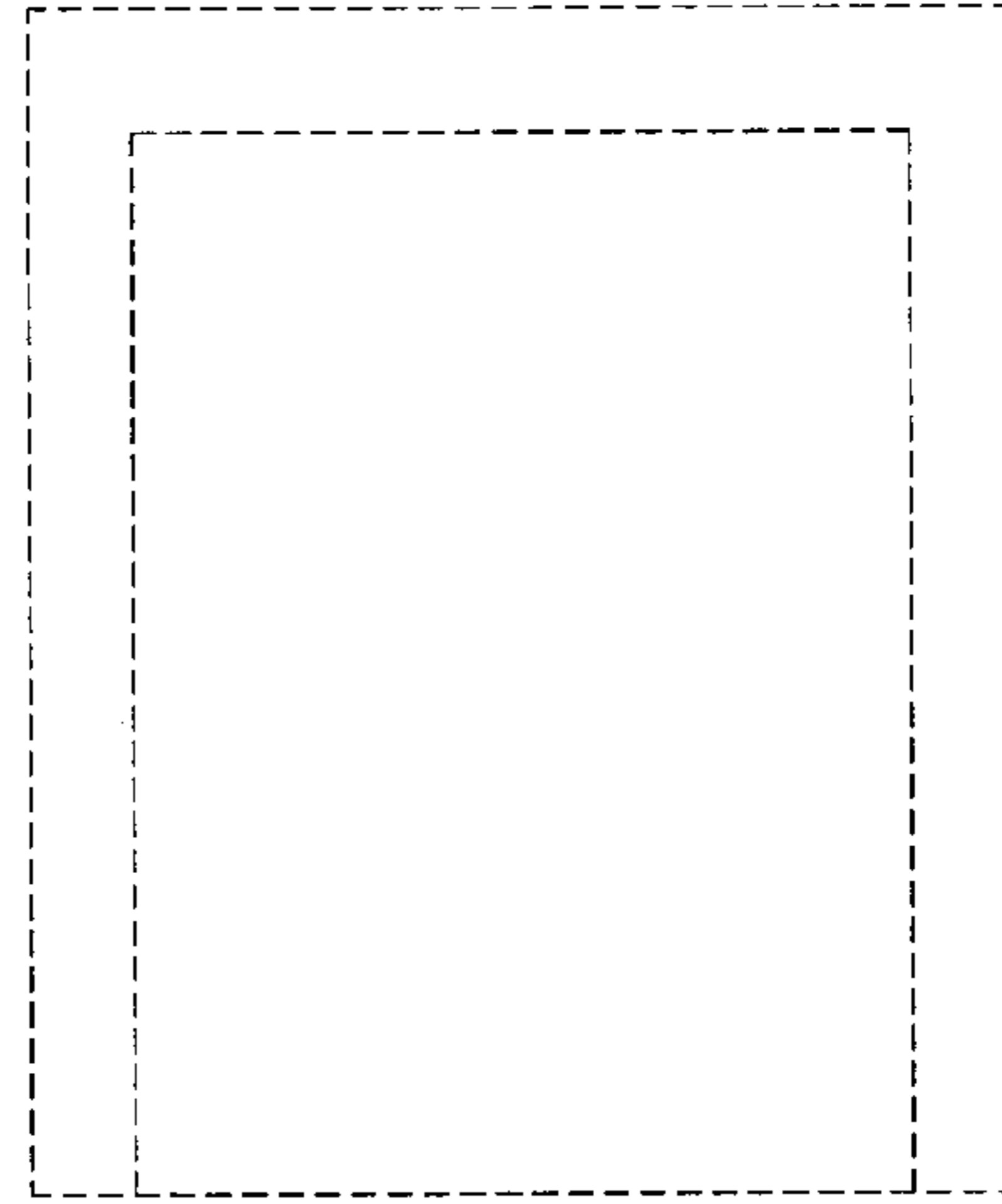


FIG. 3



FIG. 4

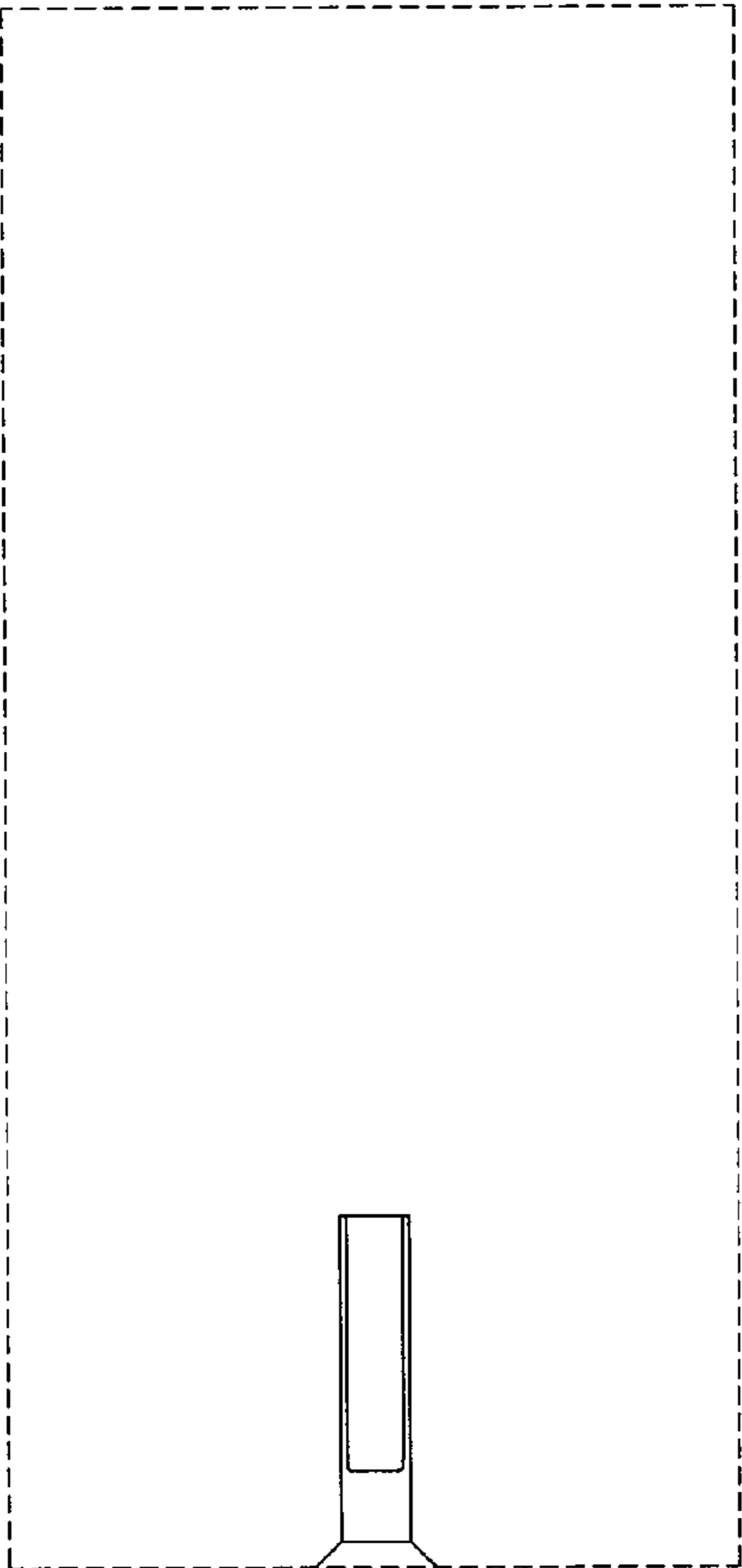


FIG. 5

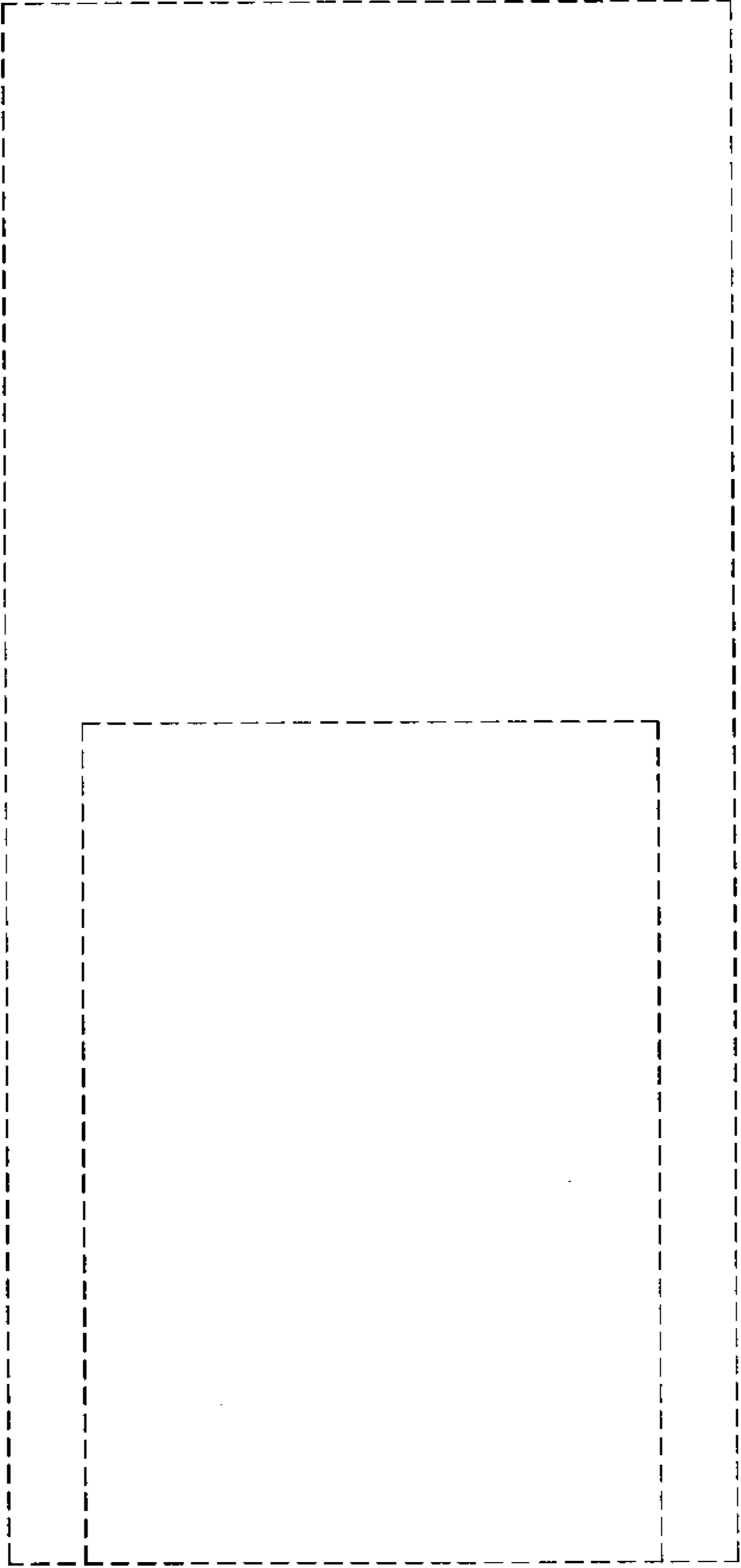


FIG. 6

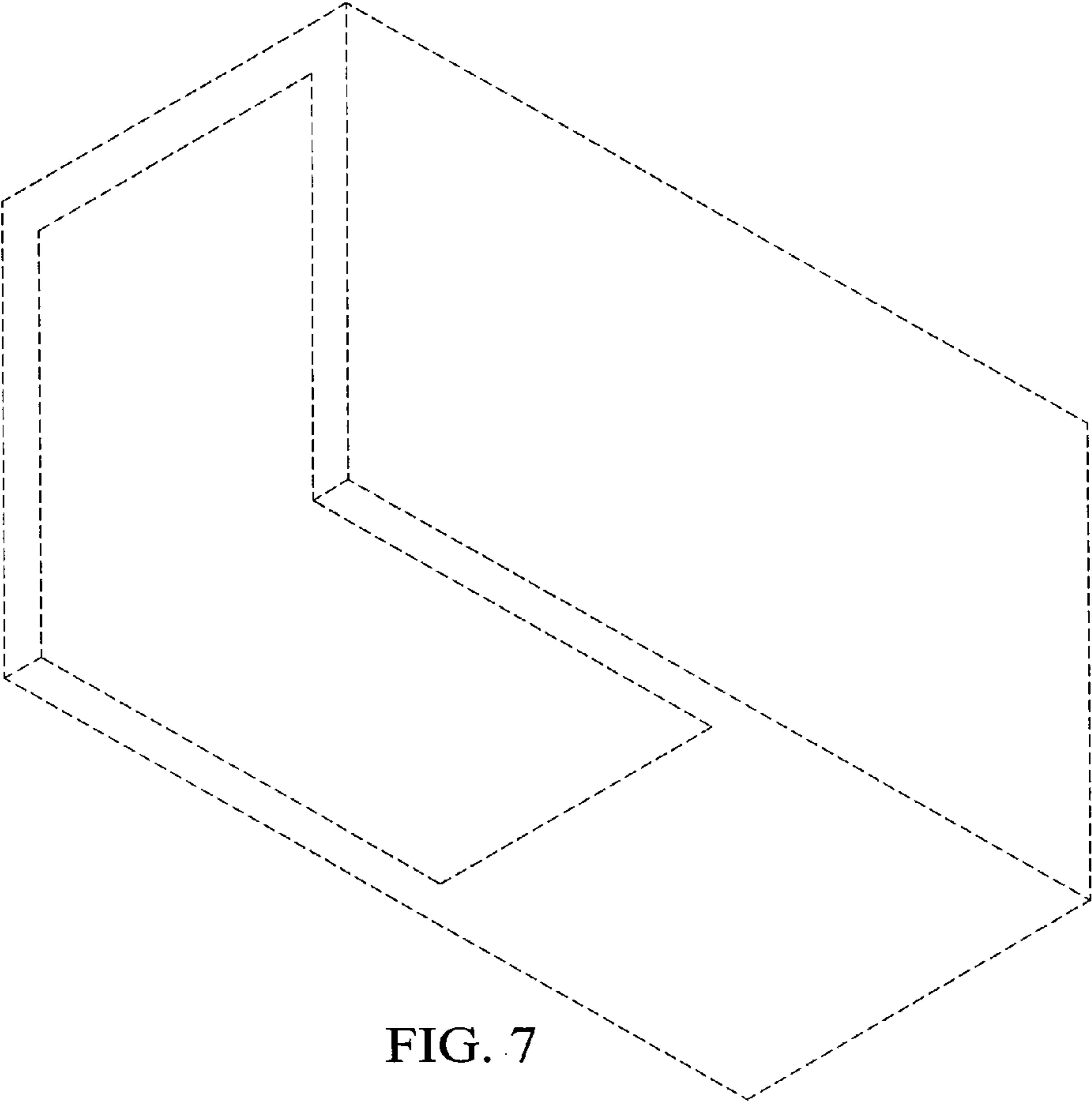


FIG. 7