

US00D697485S

(12) **United States Design Patent**  
**Grant et al.**

(10) **Patent No.:** **US D697,485 S**  
(45) **Date of Patent:** **\*\* Jan. 14, 2014**

(54) **CABLE CONNECTOR**

(71) Applicants: **John Grant**, Sherborn, MA (US);  
**Emillio Billi**, Novara (IT); **Jason Smith**,  
Sartell, MN (US); **Emad Soubh**, Camas,  
WA (US)

(72) Inventors: **John Grant**, Sherborn, MA (US);  
**Emillio Billi**, Novara (IT); **Jason Smith**,  
Sartell, MN (US); **Emad Soubh**, Camas,  
WA (US)

(73) Assignee: **AirBorn, Inc.**, Georgetown, TX (US)

(\*\*) Term: **14 Years**

(21) Appl. No.: **29/437,260**

(22) Filed: **Nov. 14, 2012**

(51) **LOC (10) Cl.** ..... **13-03**

(52) **U.S. Cl.**  
USPC ..... **D13/147**

(58) **Field of Classification Search**  
USPC ..... D13/146, 147, 154, 184, 199;  
439/78-79, 82, 180, 246, 252, 278,  
439/350-351, 353, 357, 374, 378-379, 381,  
439/527, 529, 533, 660, 676-677, 680, 686,  
439/692, 892, 894

See application file for complete search history.

(56) **References Cited**

U.S. PATENT DOCUMENTS

3,002,175	A *	9/1961	Rosenfeld et al.	439/564
D234,771	S *	4/1975	Saunders	D13/147
D235,552	S *	6/1975	Derr et al.	D13/146
D252,082	S *	6/1979	Voelkert	D13/146
4,158,473	A *	6/1979	Shearer	439/518
4,179,179	A *	12/1979	Lowden	439/278
D270,246	S *	8/1983	Freimuth	D13/146
D306,010	S *	2/1990	Komatsu	D13/147
D308,511	S *	6/1990	Makita et al.	D13/146
D309,289	S *	7/1990	Endo et al.	D13/147
D311,375	S *	10/1990	Kuzuno et al.	D13/147

D317,903	S *	7/1991	Shibano	D13/147
D319,625	S *	9/1991	Nagasaka et al.	D13/146
5,399,045	A *	3/1995	Yoneda et al.	403/321
D409,573	S *	5/1999	Shimojo et al.	D13/147
D409,575	S *	5/1999	Okamoto	D13/147
D427,565	S *	7/2000	Lok	D13/147
D427,568	S *	7/2000	Ko et al.	D13/147
6,155,887	A	12/2000	Cuff et al.	
6,220,869	B1	4/2001	Grant et al.	
6,318,632	B1	11/2001	Grant et al.	
6,702,617	B1 *	3/2004	Clement et al.	439/607.08
D494,141	S *	8/2004	Spink, Jr.	D13/147
6,877,992	B2	4/2005	Grant et al.	
6,939,159	B1 *	9/2005	Klein et al.	439/352
7,021,942	B2	4/2006	Grant et al.	
7,187,076	B2	3/2007	Cuff et al.	
D543,508	S	5/2007	Dever	
D549,659	S	8/2007	Dever	
D560,613	S	1/2008	McEvoy et al.	
D560,614	S	1/2008	McEvoy et al.	
D561,103	S	2/2008	Grant et al.	
D561,107	S	2/2008	Cuff et al.	

(Continued)

Primary Examiner — Daniel Bui

(74) *Attorney, Agent, or Firm* — Locke Lord LLP

(57) **CLAIM**

The ornamental design for a cable connector, as shown and described.

**DESCRIPTION**

FIG. 1 is a top perspective view of a cable connector showing our new design;

FIG. 2 is a front elevation view thereof;

FIG. 3 is a back elevation view thereof;

FIG. 4 is a side elevation view thereof;

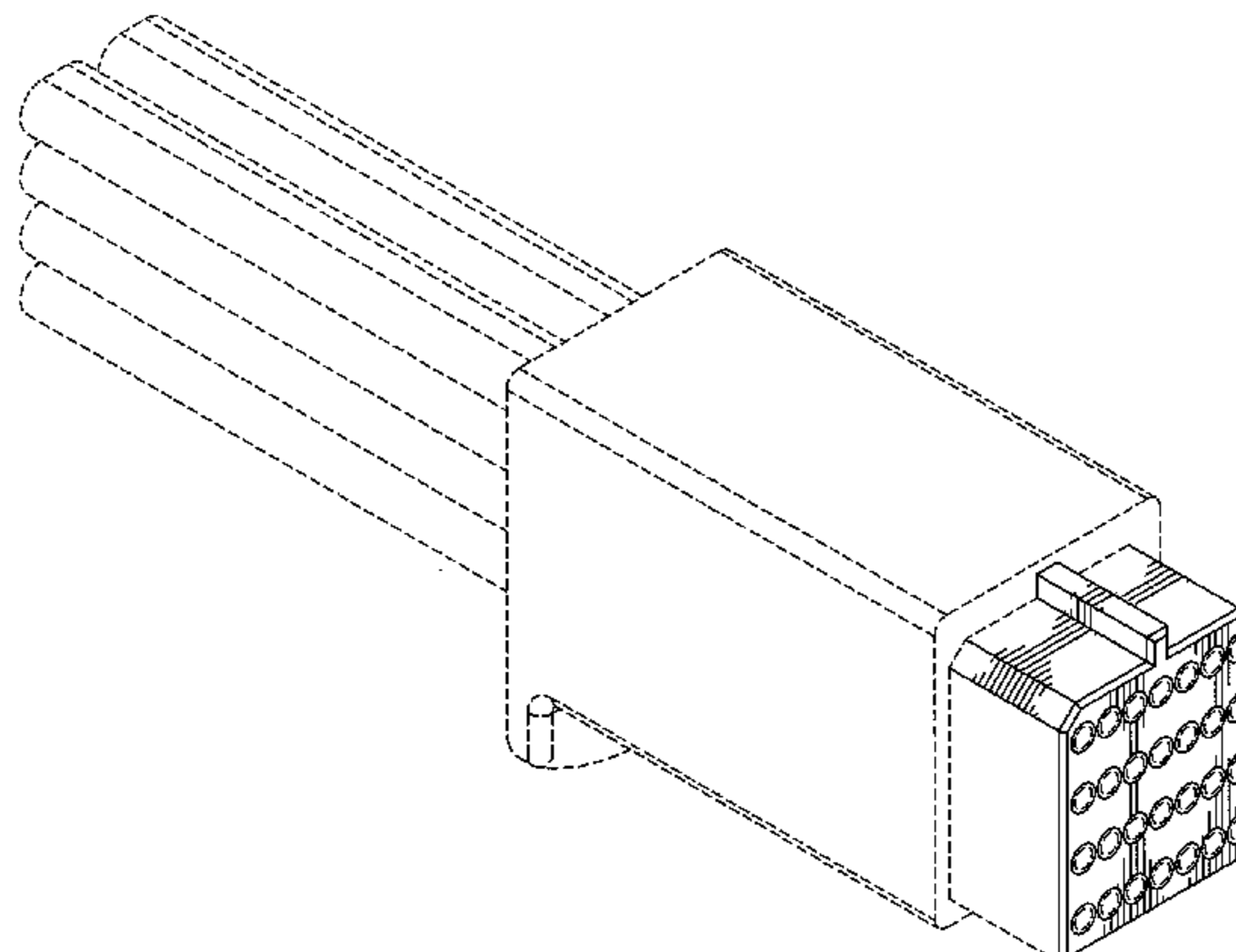
FIG. 5 is a top elevation view thereof;

FIG. 6 is a bottom elevation view thereof; and,

FIG. 7 is a bottom perspective view thereof.

The broken line in the figure drawing views is included for the purpose of illustrating unclaimed environment only and forms no part of the claimed design.

**1 Claim, 5 Drawing Sheets**



(56)

**References Cited**

U.S. PATENT DOCUMENTS

D561,108 S	2/2008	Cuff et al.	D563,880 S	3/2008	Grant	
D561,109 S	2/2008	Howerton et al.	D563,881 S	3/2008	Howerton et al.	
D561,110 S	2/2008	Howerton et al.	D563,882 S	3/2008	Howerton et al.	
D561,698 S	2/2008	Cuff et al.	D563,883 S	3/2008	Dever	
D562,248 S	2/2008	Howerton et al.	D563,884 S	3/2008	Dever	
D562,249 S	2/2008	Howerton et al.	D563,885 S	3/2008	Dever	
D562,775 S	2/2008	Cuff et al.	D563,886 S	3/2008	Dever	
D563,877 S	3/2008	Grant	D563,887 S	3/2008	Dever	
D563,878 S	3/2008	Grant	D597,492 S *	8/2009	Sakamoto .....	D13/147
D563,879 S	3/2008	Grant	D597,956 S *	8/2009	Sakamoto .....	D13/147
			D597,957 S *	8/2009	Sakamoto .....	D13/147
			D610,996 S *	3/2010	Sakamoto .....	D13/147

\* cited by examiner

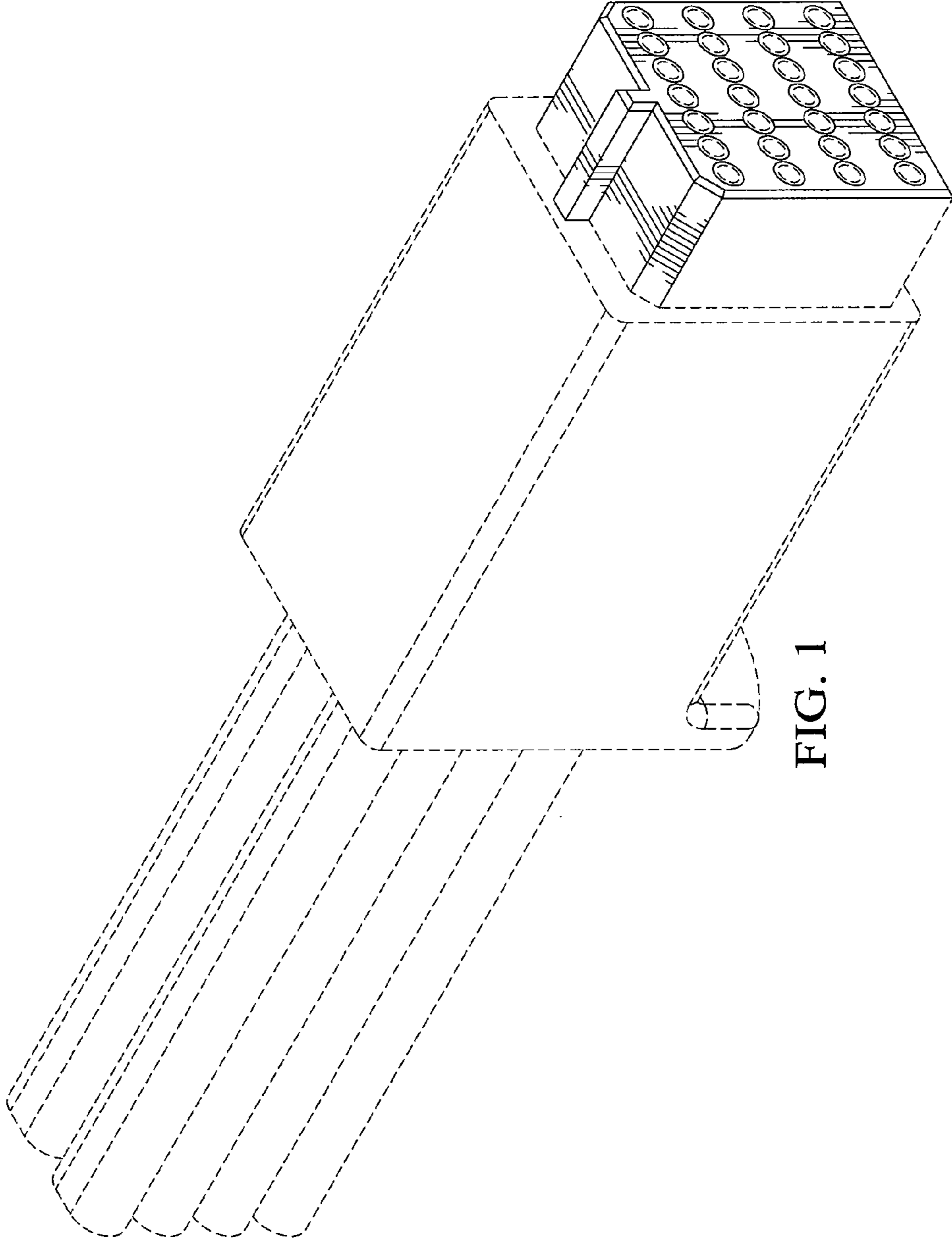


FIG. 1

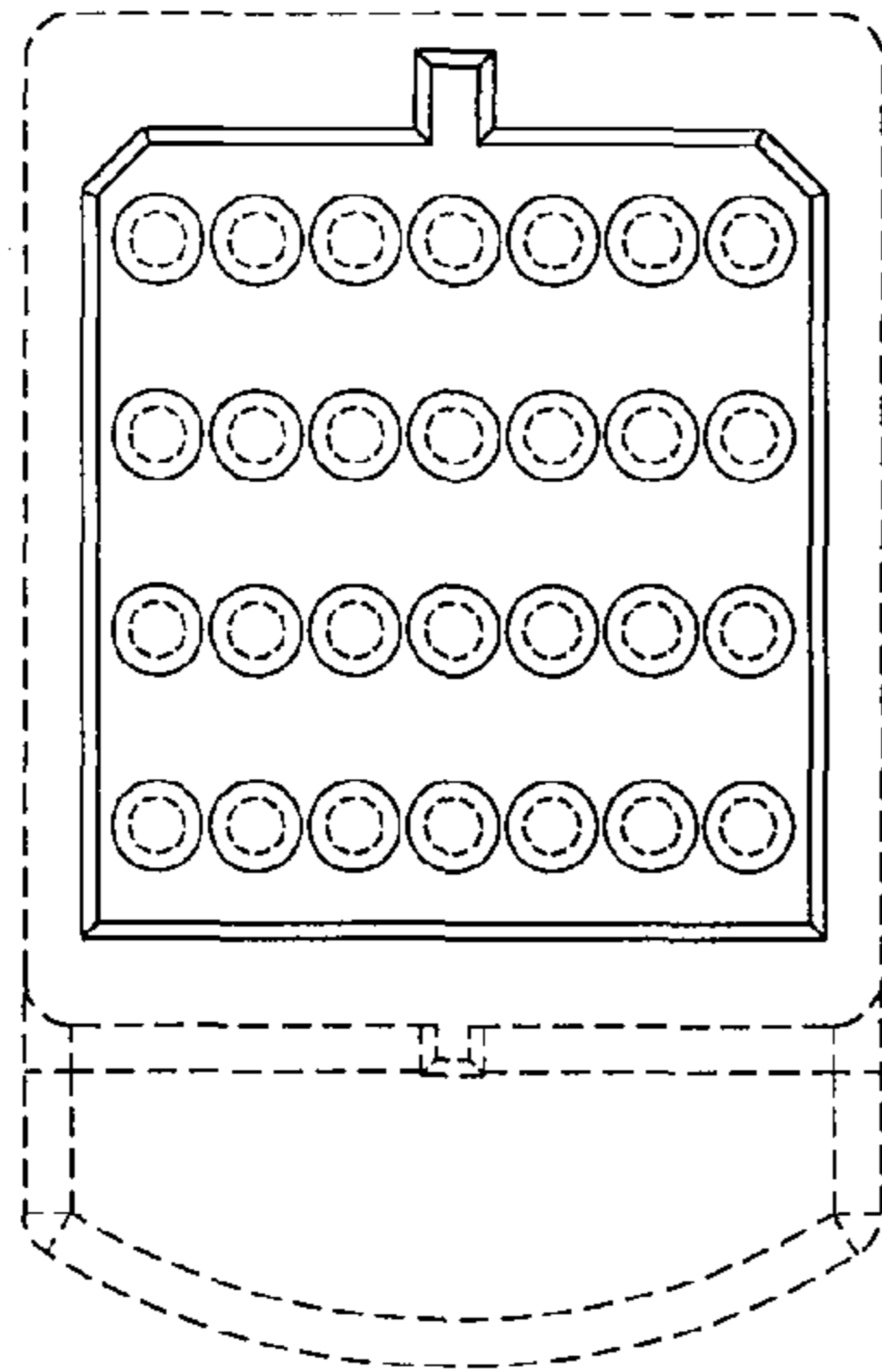


FIG. 2

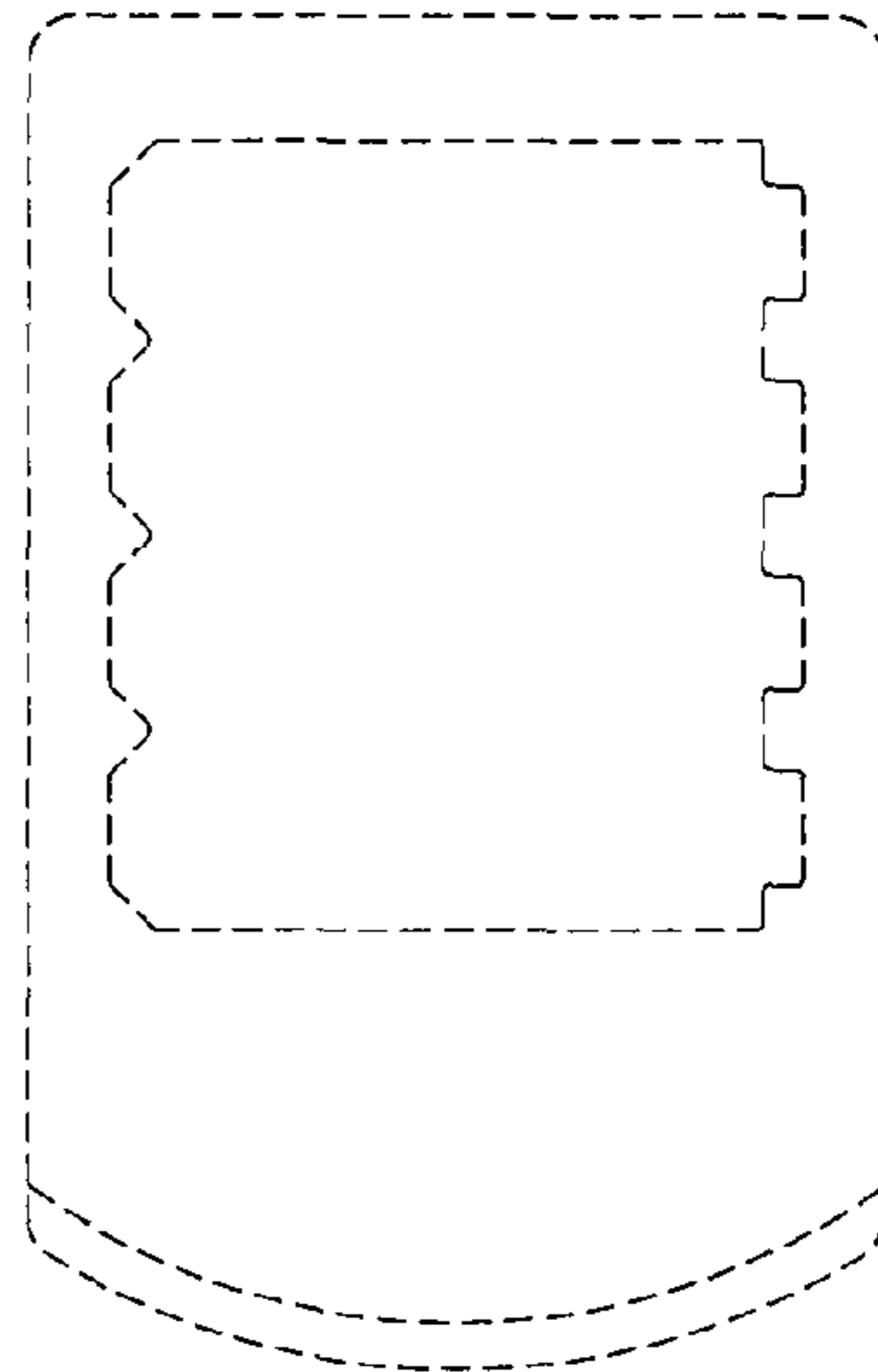


FIG. 3

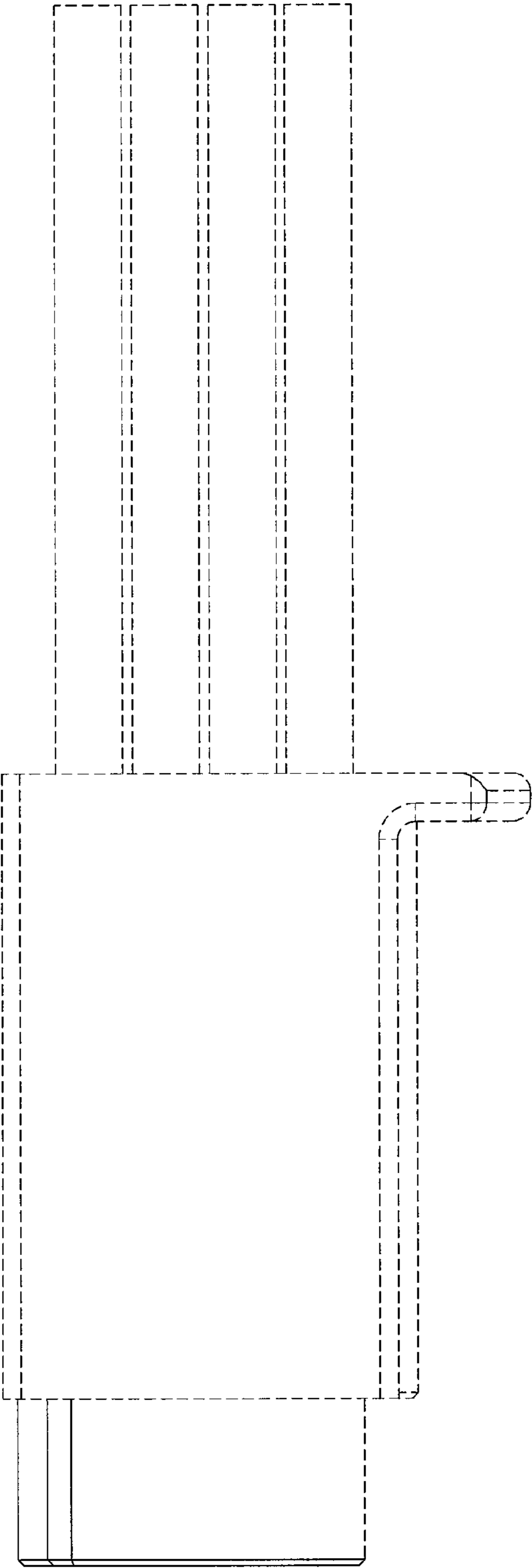


FIG. 4

FIG. 5

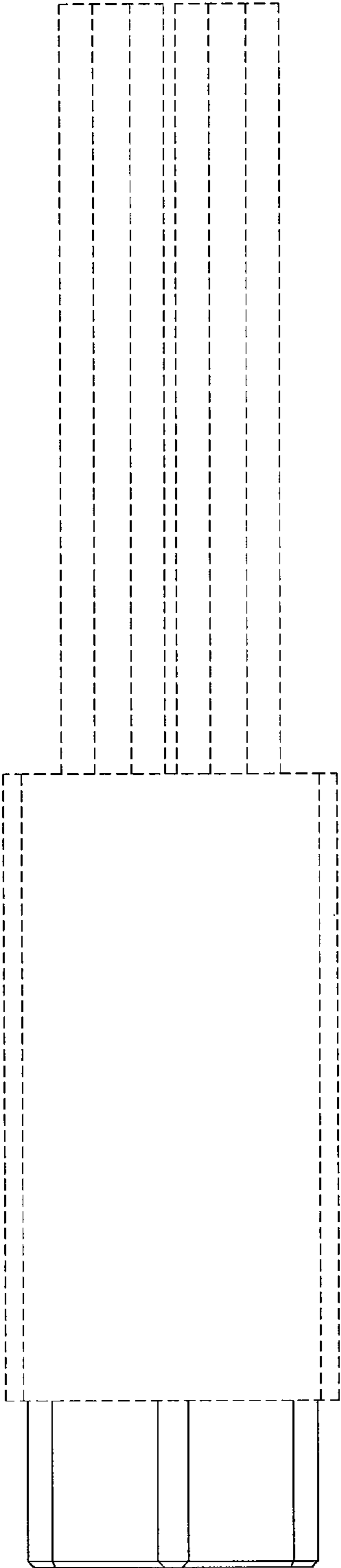
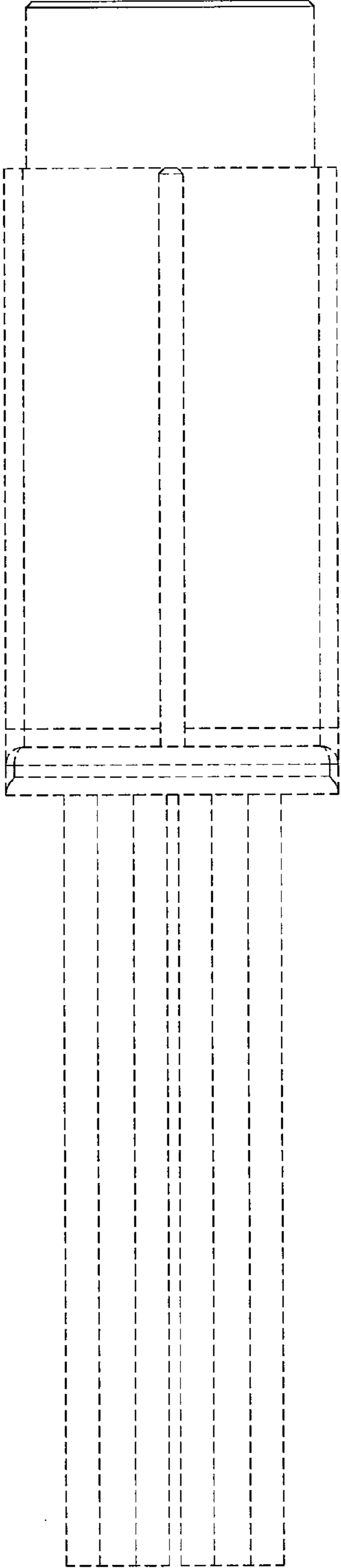


FIG. 6





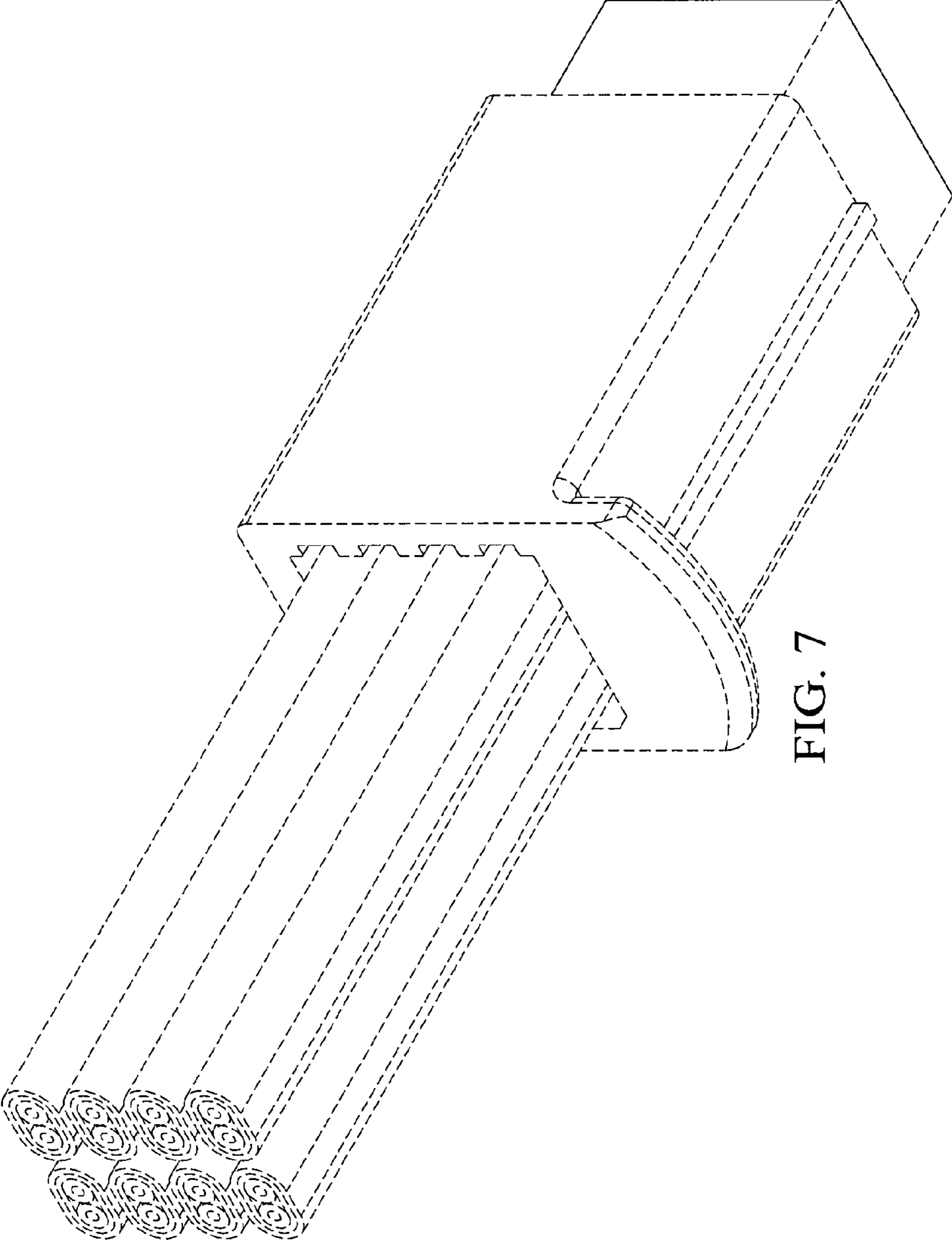


FIG. 7