

US00D697483S

(12) **United States Design Patent**
Ikari

(10) **Patent No.:** **US D697,483 S**
(45) **Date of Patent:** **** Jan. 14, 2014**

(54) **ELECTRICAL CONNECTOR**

(75) Inventor: **Hiroharu Ikari**, Tokyo (JP)

(73) Assignee: **Dai-Ichi Seiko Co., Ltd.**, Kyoto (JP)

(**) Term: **14 Years**

(21) Appl. No.: **29/408,491**

(22) Filed: **Dec. 13, 2011**

(30) **Foreign Application Priority Data**

Jun. 22, 2011 (JP) 2011-14122

(51) **LOC (10) Cl.** **13-03**

(52) **U.S. Cl.**
USPC **D13/147**

(58) **Field of Classification Search**
USPC D13/147, 154, 184, 199; 439/79, 108,
439/180, 246, 374, 488, 527, 529, 530, 533,
439/540.1, 541.5, 607.01, 607.04, 607.05,
439/607.06, 607.17, 607.21, 607.23,
439/607.25, 607.34, 607.41, 607.53,
439/620.06, 620.21, 620.31, 660, 668, 676,
439/680, 883, 891, 892, 894
See application file for complete search history.

(56) **References Cited**

U.S. PATENT DOCUMENTS

D471,522 S * 3/2003 Azuma D13/147
D541,750 S * 5/2007 Yoshikai D13/147
D607,825 S * 1/2010 Hirakawa D13/147

D626,079 S * 10/2010 Yotsutani D13/147
D629,759 S * 12/2010 Hara D13/147
D652,386 S * 1/2012 Ozeki D13/147
D654,029 S * 2/2012 Ozeki D13/147

FOREIGN PATENT DOCUMENTS

JP D1174003 3/2003
JP D1403816 11/2010

* cited by examiner

Primary Examiner — Daniel Bui

(74) *Attorney, Agent, or Firm* — Studebaker & Brackett PC

(57) **CLAIM**

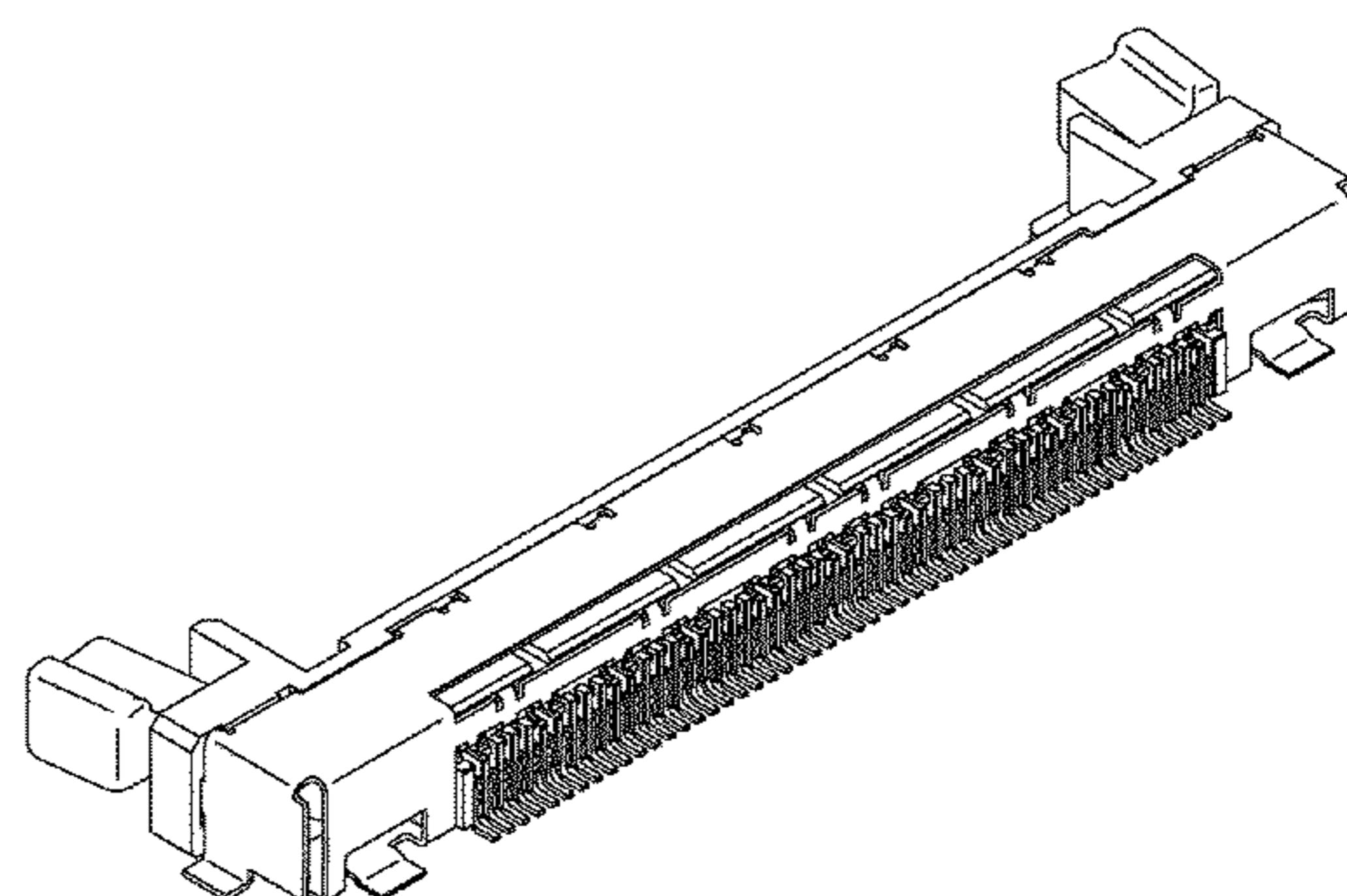
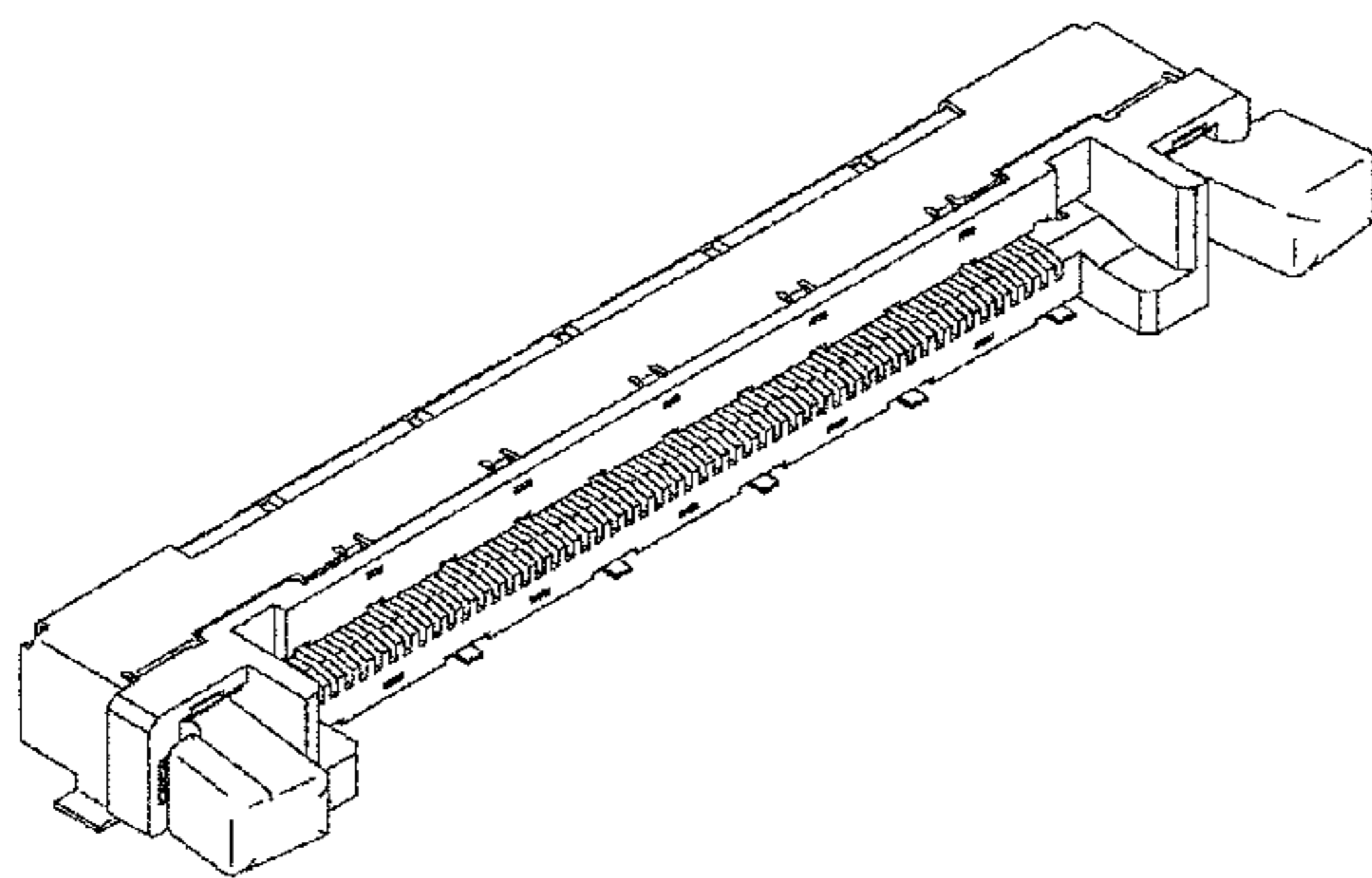
The ornamental design for an electrical connector, as shown and described.

DESCRIPTION

FIG. 1 is a front, top and left side perspective view of an electrical connector showing my new design;
FIG. 2 is a rear, top and right side perspective view thereof;
FIG. 3 is a top plan view thereof;
FIG. 4 is a bottom plan view thereof;
FIG. 5 is a front view thereof;
FIG. 6 is a rear plan view thereof; and,
FIG. 7 is a right side view thereof, the left side view is a mirror image thereto.

The broken line portions in the figure drawing views is included to show unclaimed environmental structure only and forms no part of the claimed design.

1 Claim, 7 Drawing Sheets



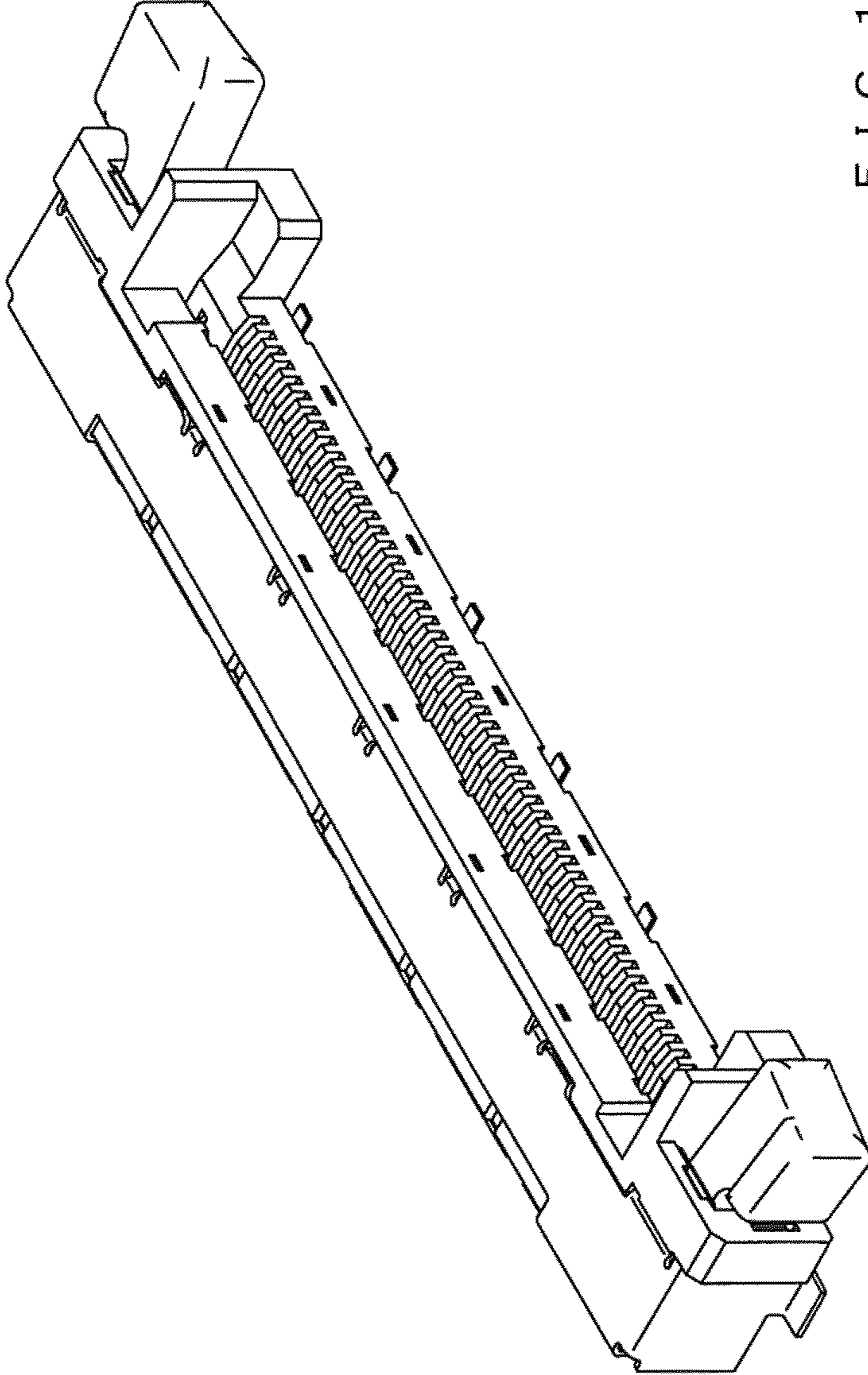


FIG. 1

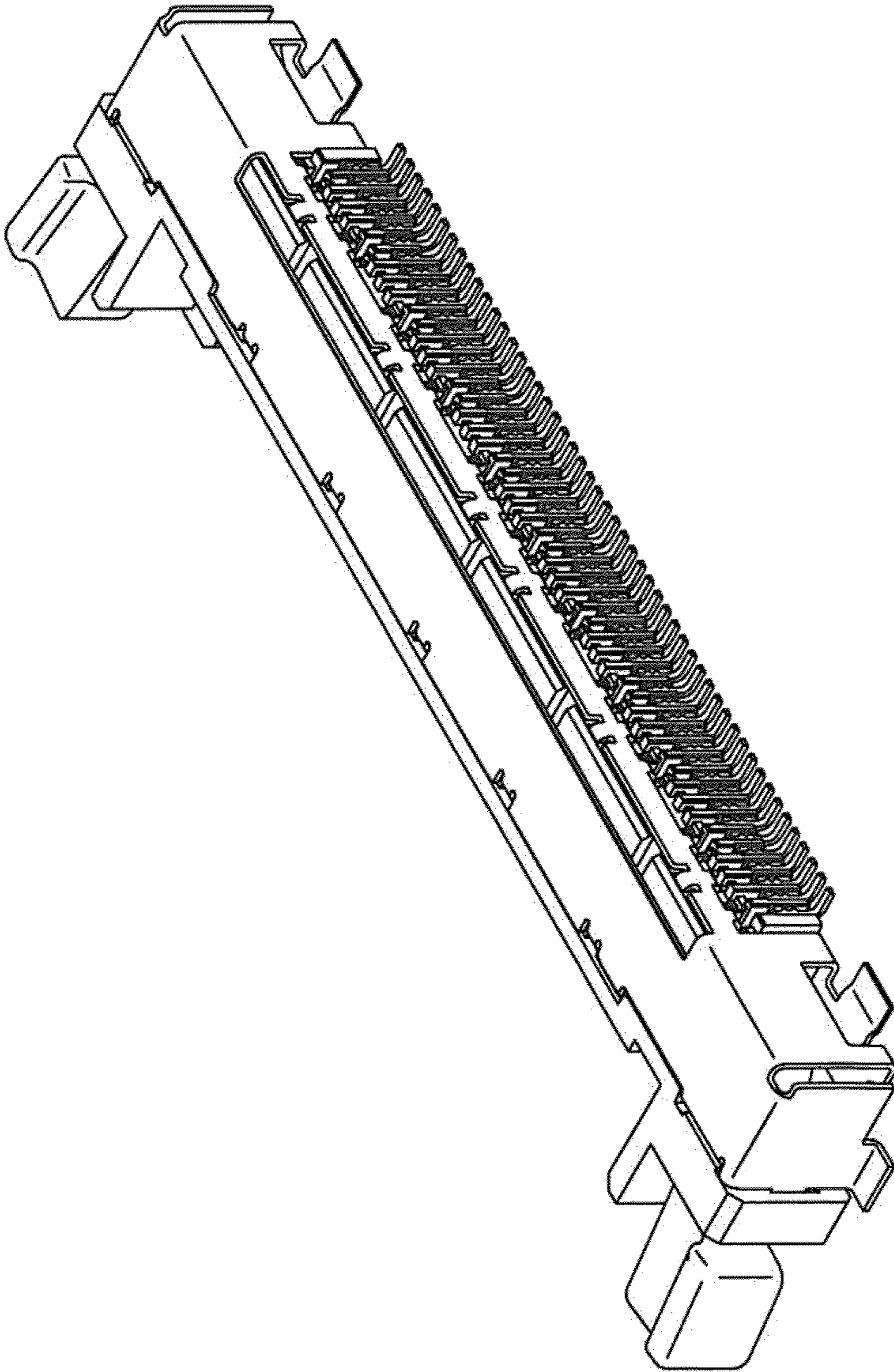


FIG. 2

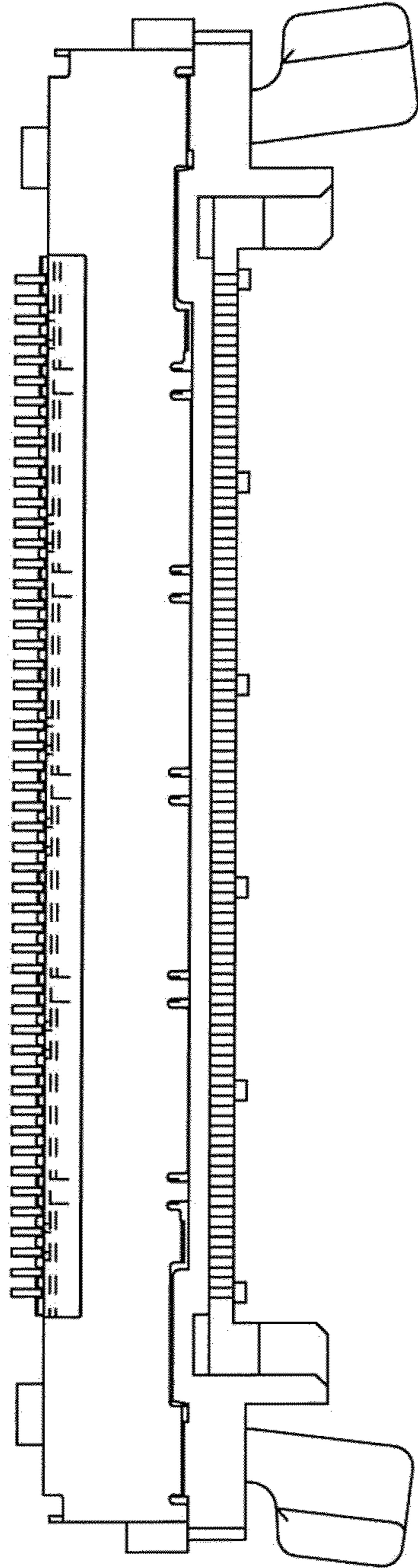


FIG. 3

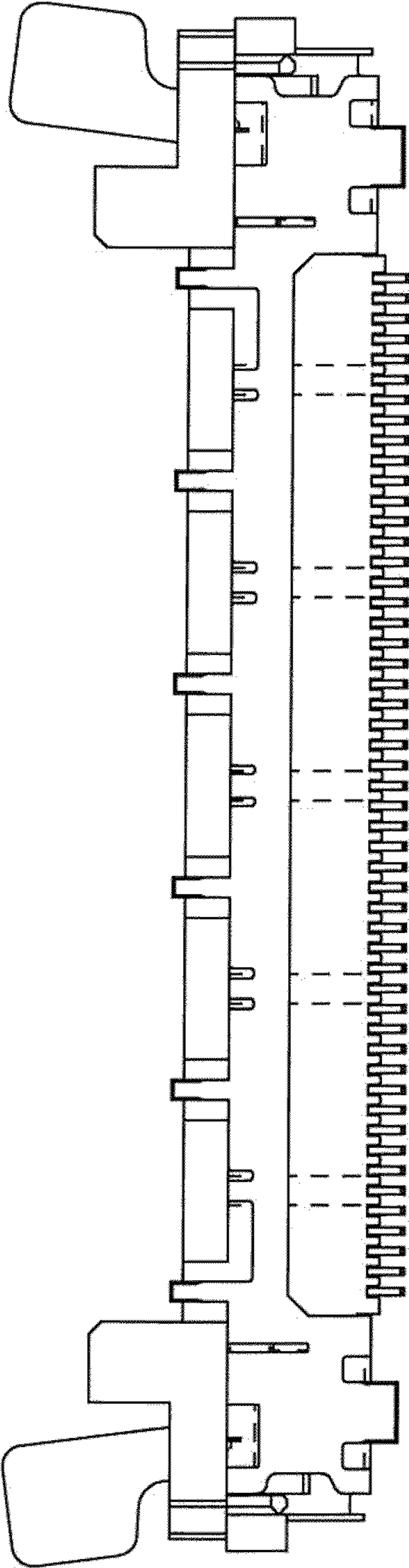


FIG. 4

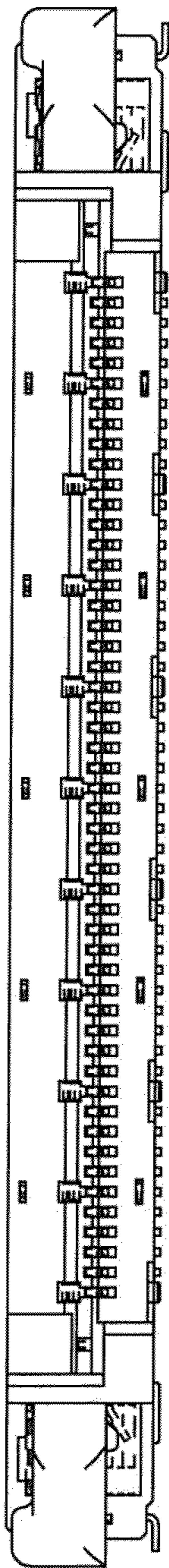


FIG. 5

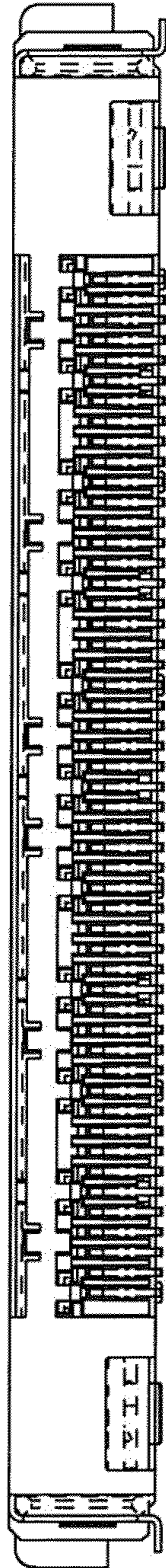


FIG. 6

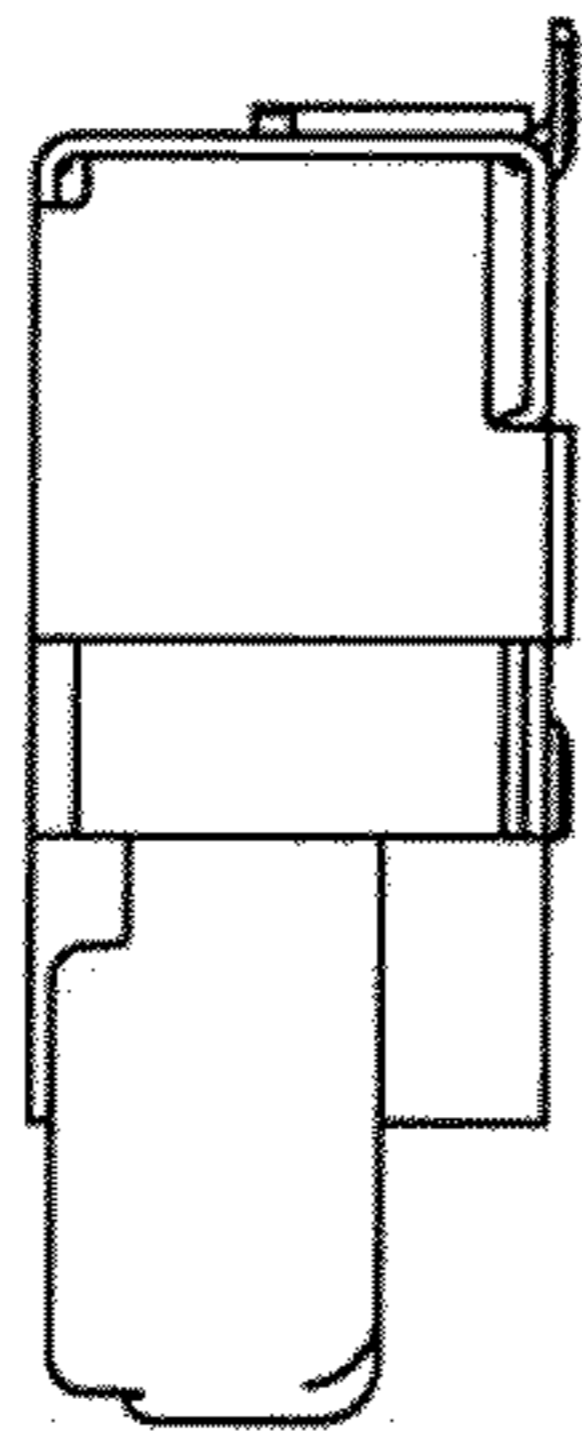


FIG. 7