



US00D697482S

(12) **United States Design Patent**
Cheng

(10) **Patent No.:** **US D697,482 S**

(45) **Date of Patent:** **** Jan. 14, 2014**

(54) **ACTIVE CIGARETTE LIGHTER ADAPTER
PLUG**

(71) Applicant: **Sky Tech Worldwide, Inc.**, Chino, CA
(US)

(72) Inventor: **Chin-Hung Cheng**, Chino, CA (US)

(73) Assignee: **Sky Tech Worldwide, Inc.**, Chino, CA
(US)

(**) Term: **14 Years**

(21) Appl. No.: **29/453,712**

(22) Filed: **May 2, 2013**

(51) **LOC (10) Cl.** **13-03**

(52) **U.S. Cl.**
USPC **D13/144**

(58) **Field of Classification Search**
USPC D13/144, 101, 107, 108, 110, 118, 119,
D13/133, 184, 199; D14/155, 432, 434,
D14/435.1, 356, 480.1, 480.7; 320/107,
320/108, 109, 110, 111, 112, 113, 114,
320/115; 439/300, 620.01, 638, 668, 669,
439/675, 825; 363/146

See application file for complete search history.

(56) **References Cited**

U.S. PATENT DOCUMENTS

D392,617 S *	3/1998	Yokozawa	D13/144
6,612,875 B1 *	9/2003	Liao	439/675
D604,699 S *	11/2009	Yamamoto	D13/144
D620,441 S *	7/2010	Hou	D13/144
D631,837 S *	2/2011	Smith et al.	D13/108
D653,619 S *	2/2012	Tien	D13/144
D655,246 S *	3/2012	Fitch et al.	D13/144
D656,465 S *	3/2012	Au	D13/144

* cited by examiner

Primary Examiner — Derrick Holland

(74) *Attorney, Agent, or Firm* — Alan Kamrath; Kamrath IP Lawfirm, P.A.

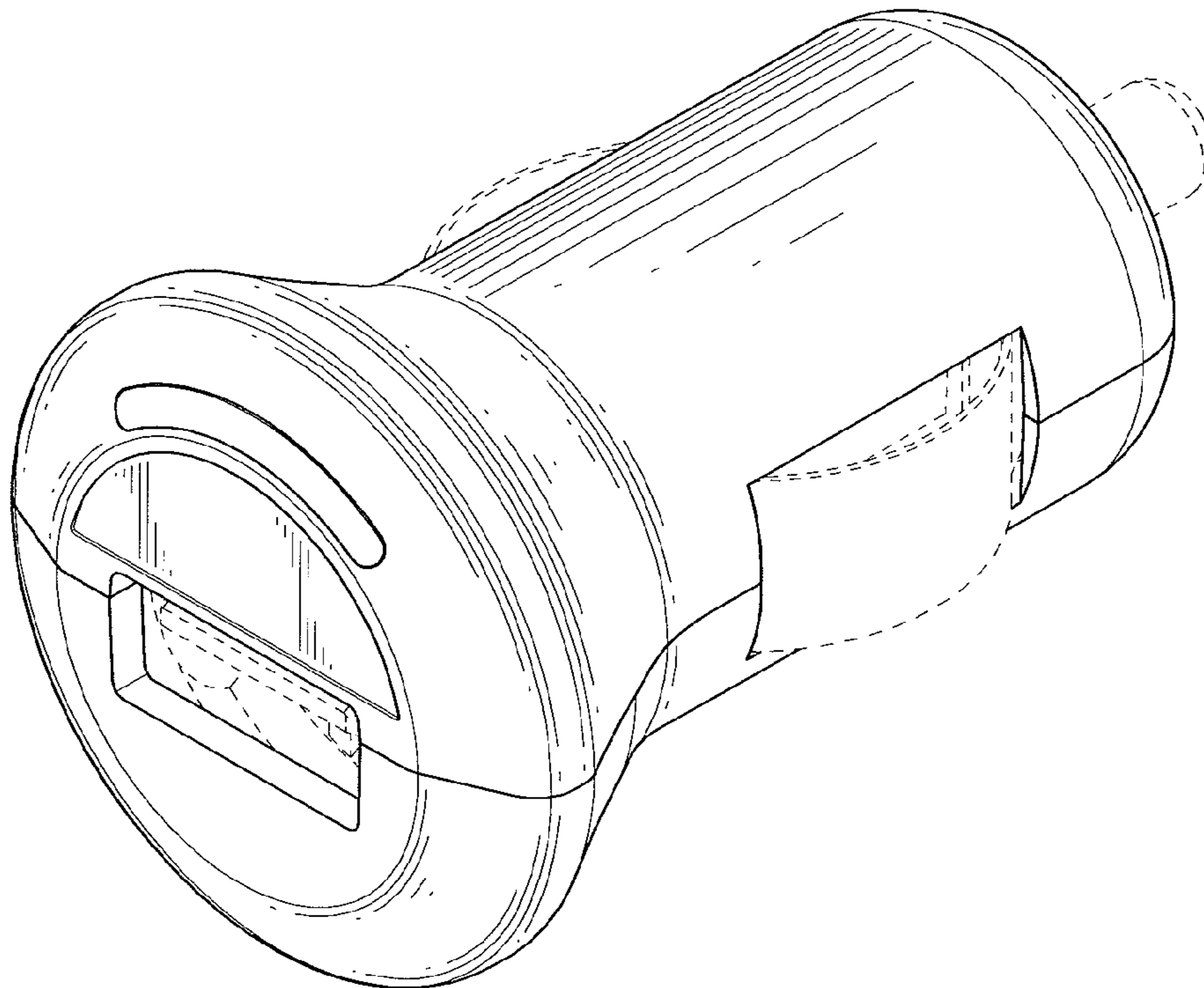
(57) **CLAIM**

The ornamental design for an active cigarette lighter adapter plug, as shown and described.

DESCRIPTION

FIG. 1 is a perspective view of an active cigarette lighter adapter plug showing my new design; FIG. 2 is a front view thereof; FIG. 3 is a rear view thereof; FIG. 4 is a left view thereof; FIG. 5 is a right view thereof; FIG. 6 is a top view thereof; FIG. 7 is a bottom view thereof; and, FIG. 8 is another perspective view thereof. The broken lines shown represent unclaimed subject matter and form no part of the claimed design.

1 Claim, 8 Drawing Sheets



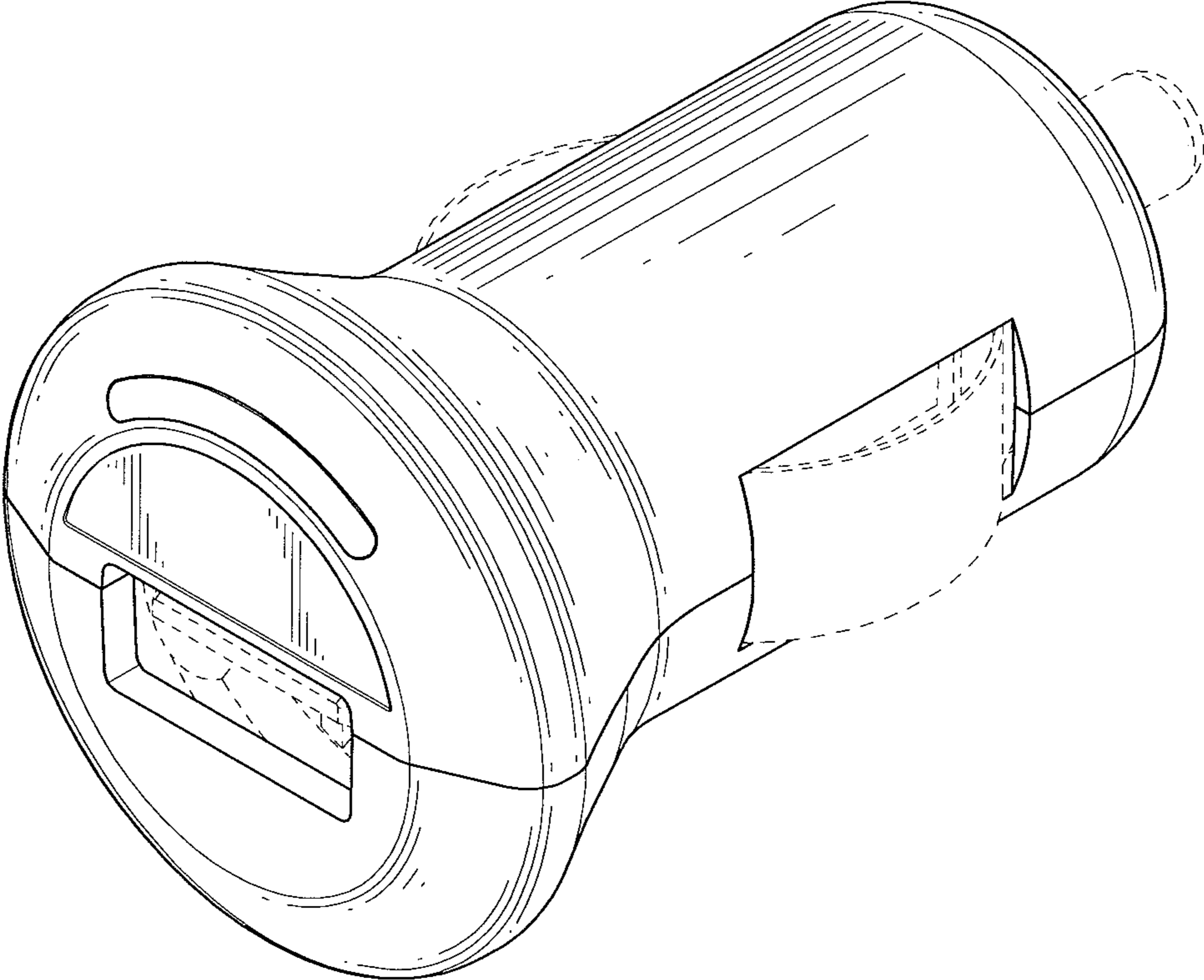


FIG.1

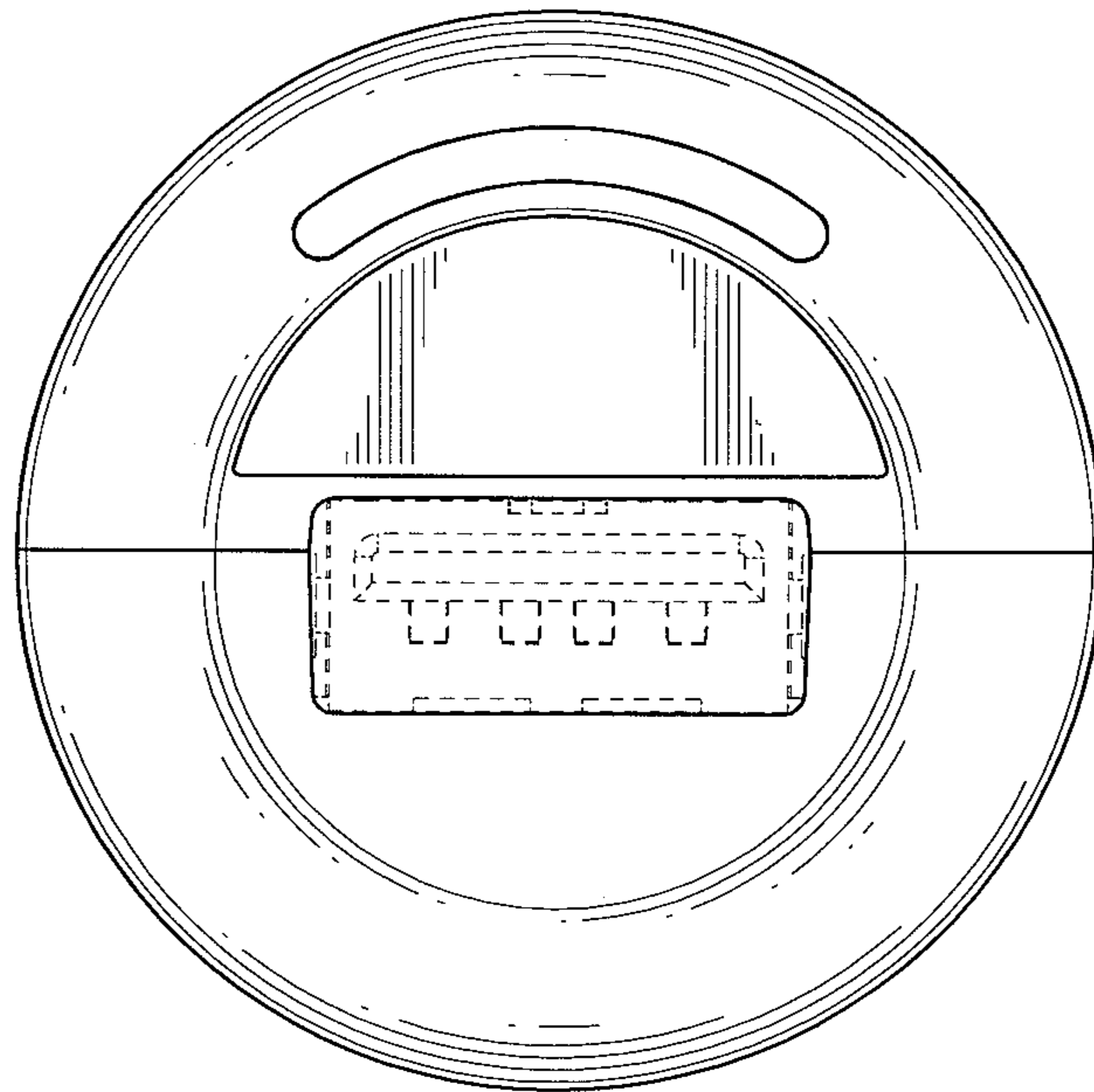


FIG.2

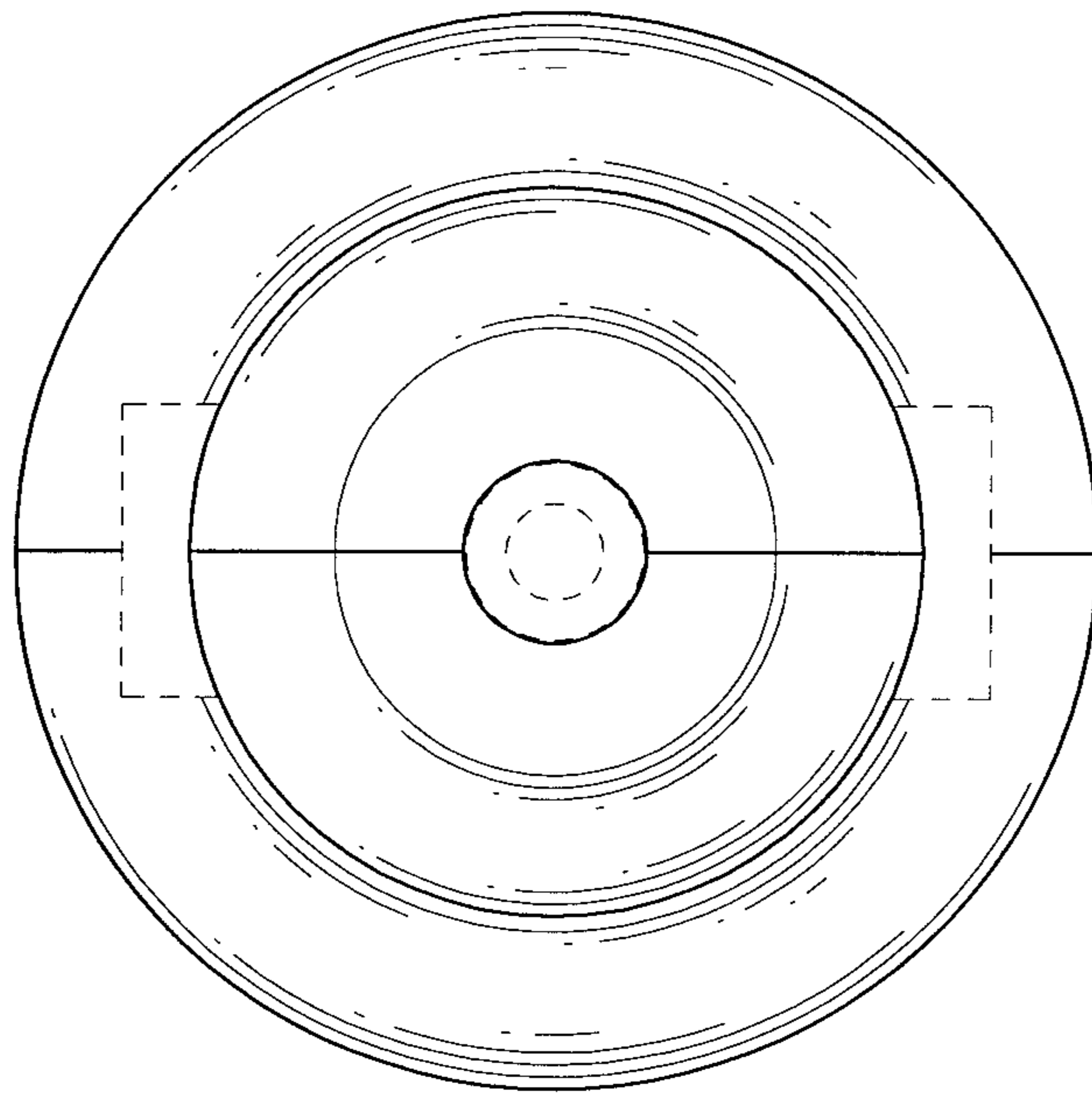


FIG.3

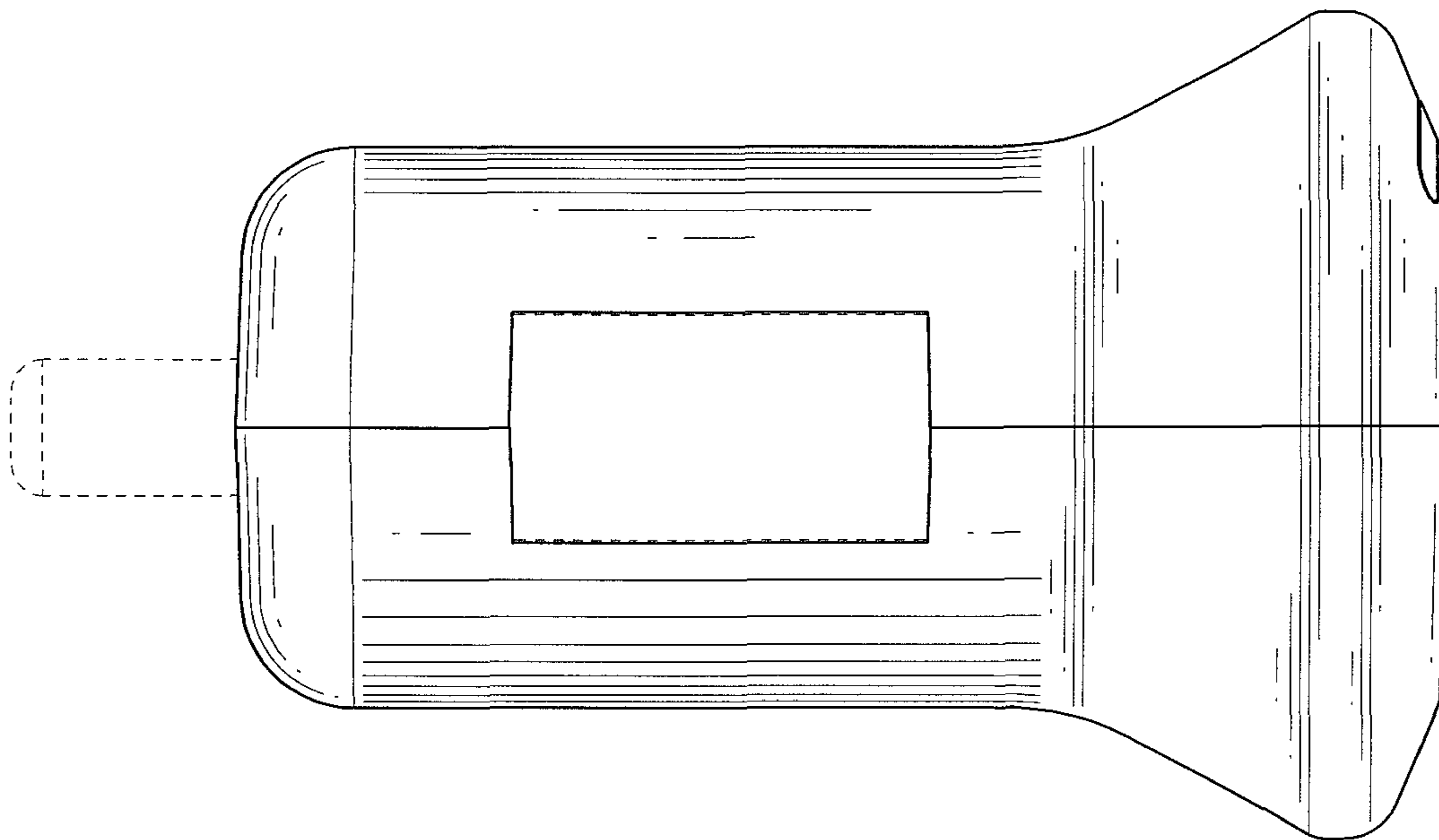


FIG.4

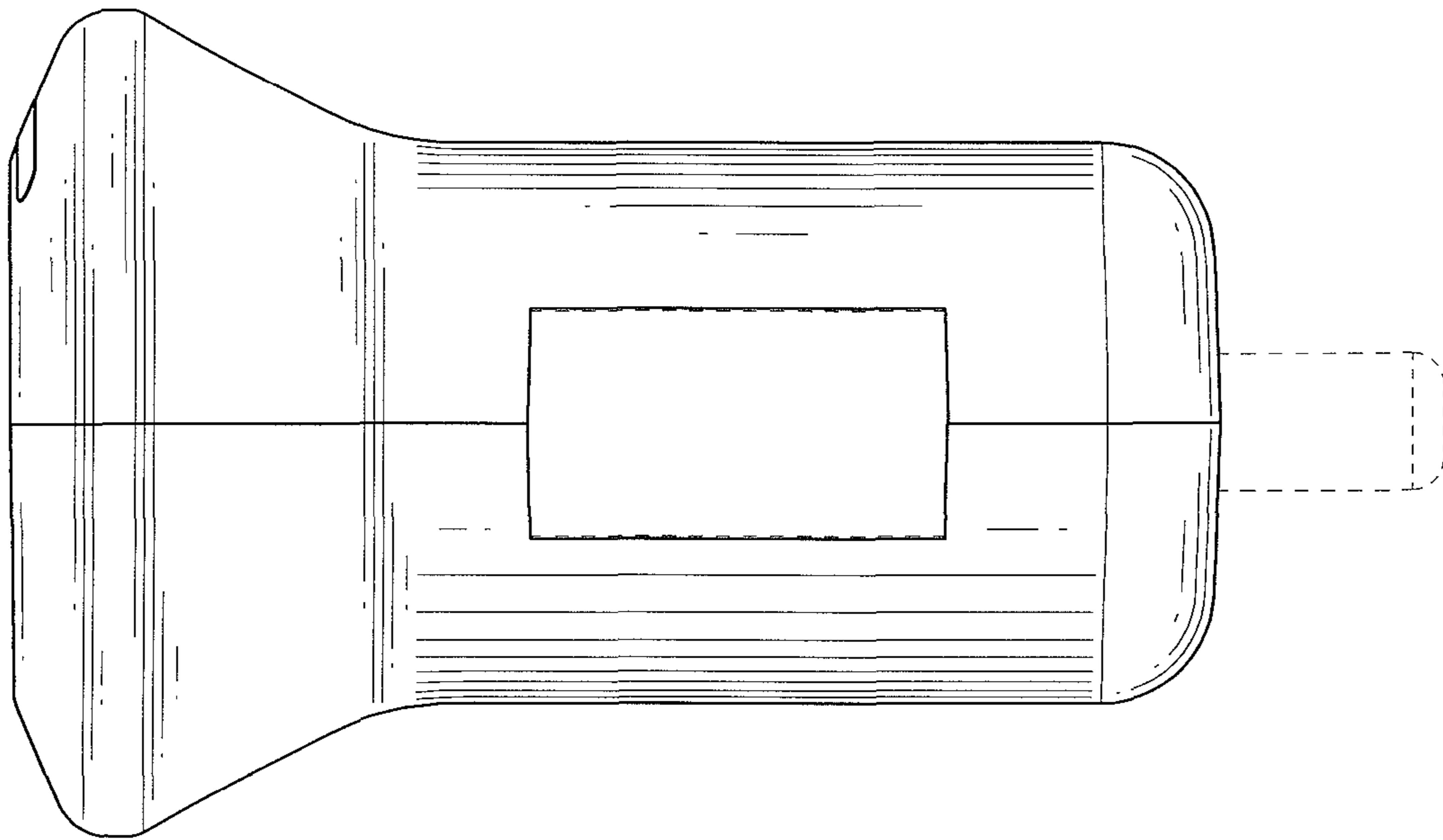


FIG. 5

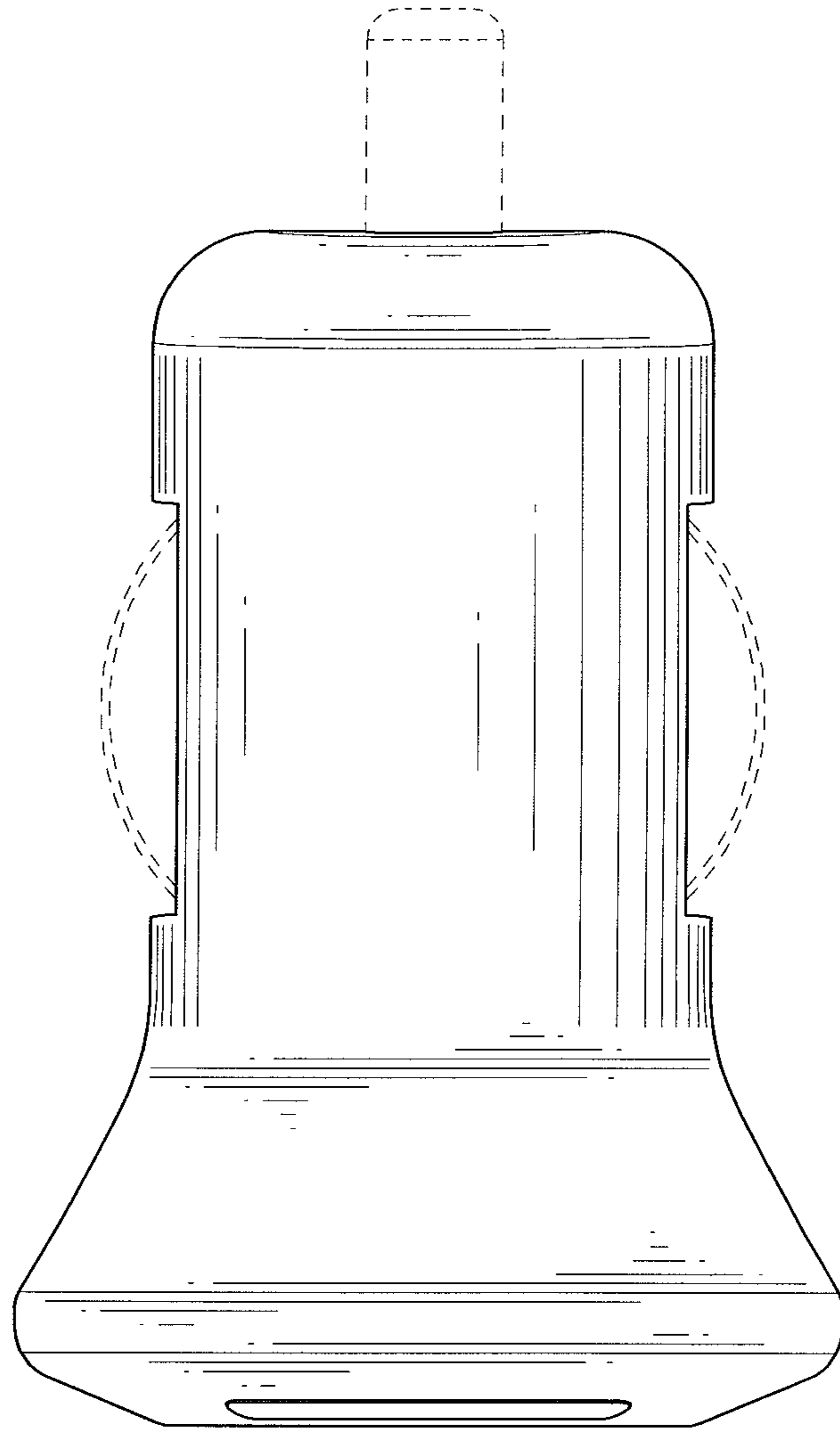


FIG.6

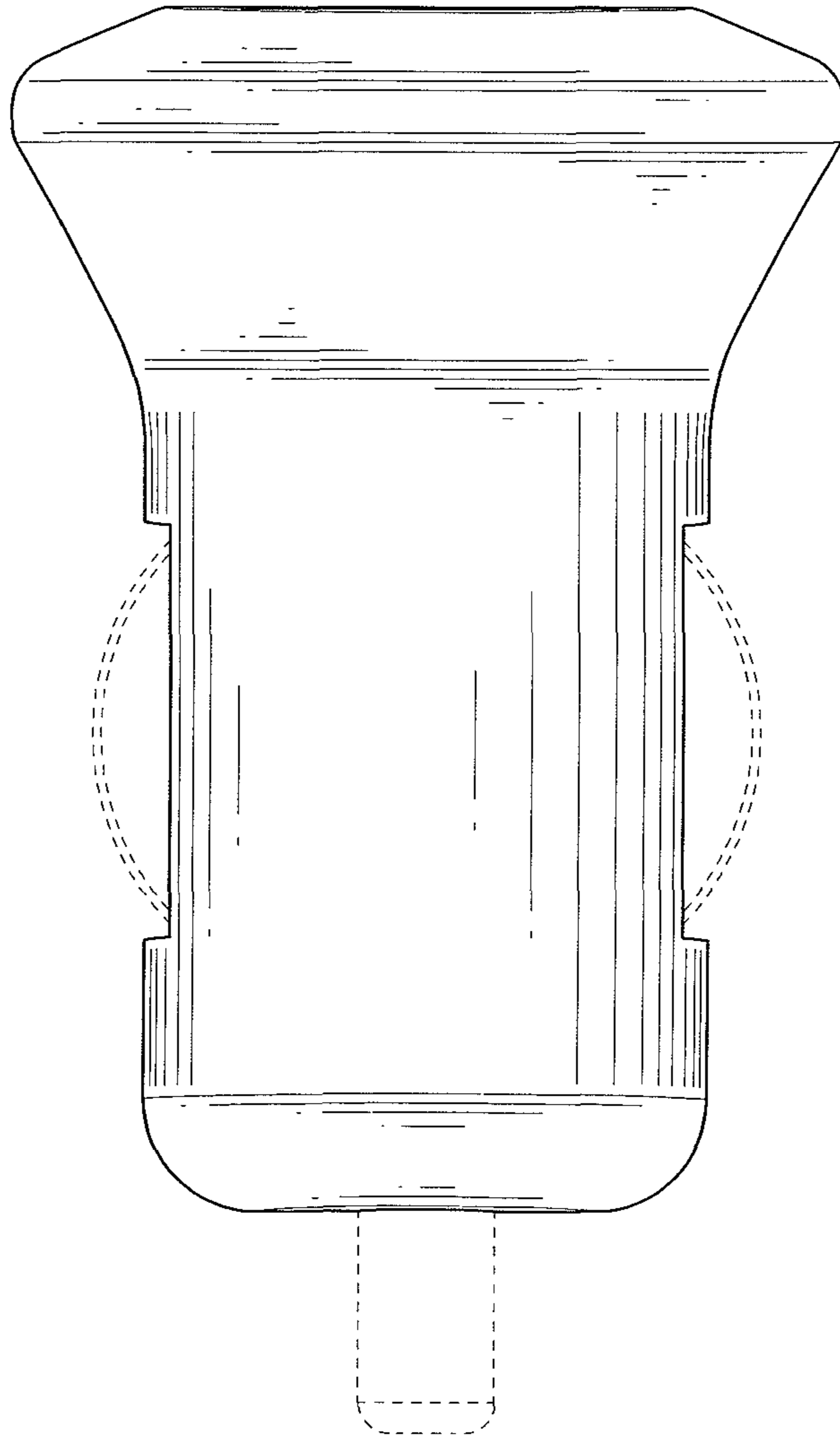


FIG.7

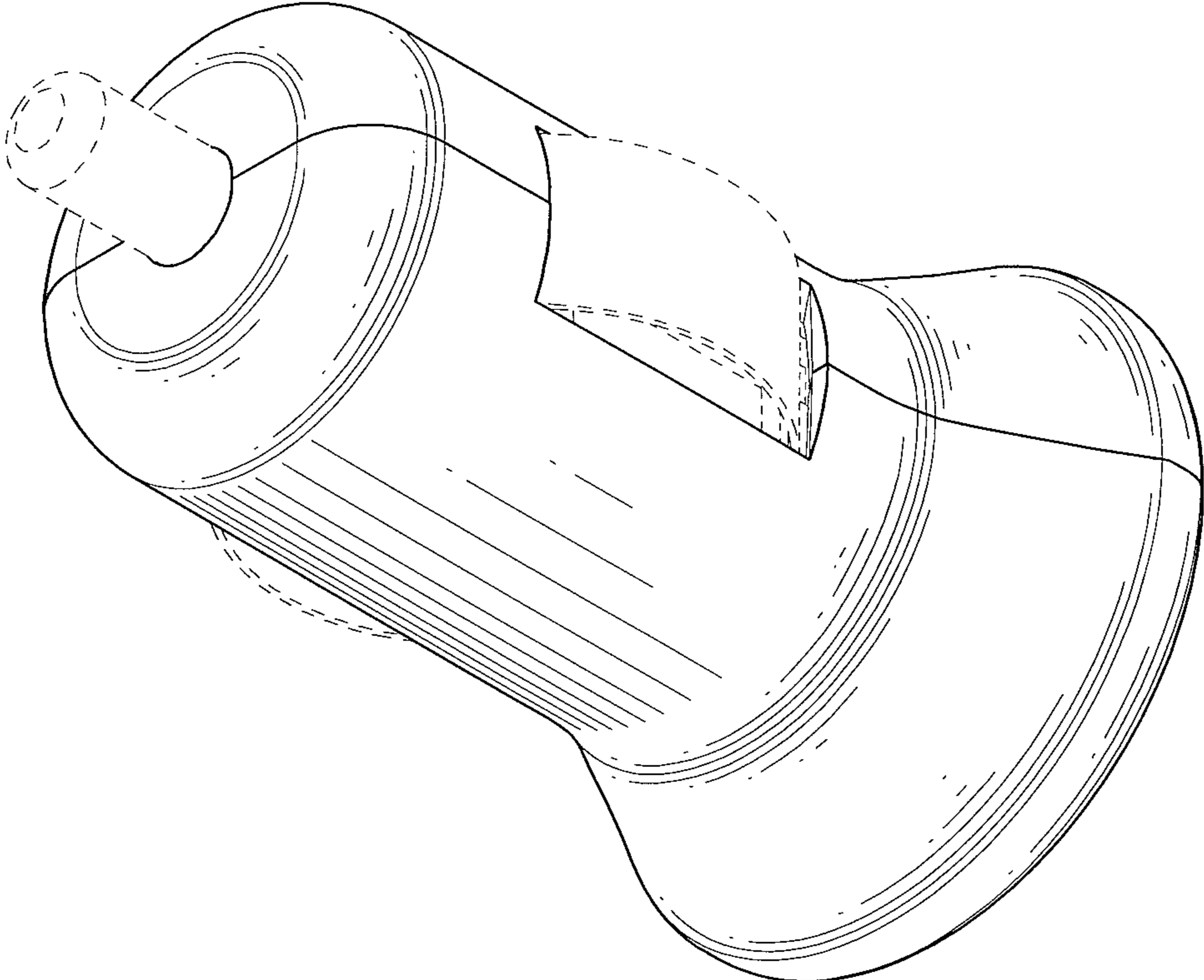


FIG.8